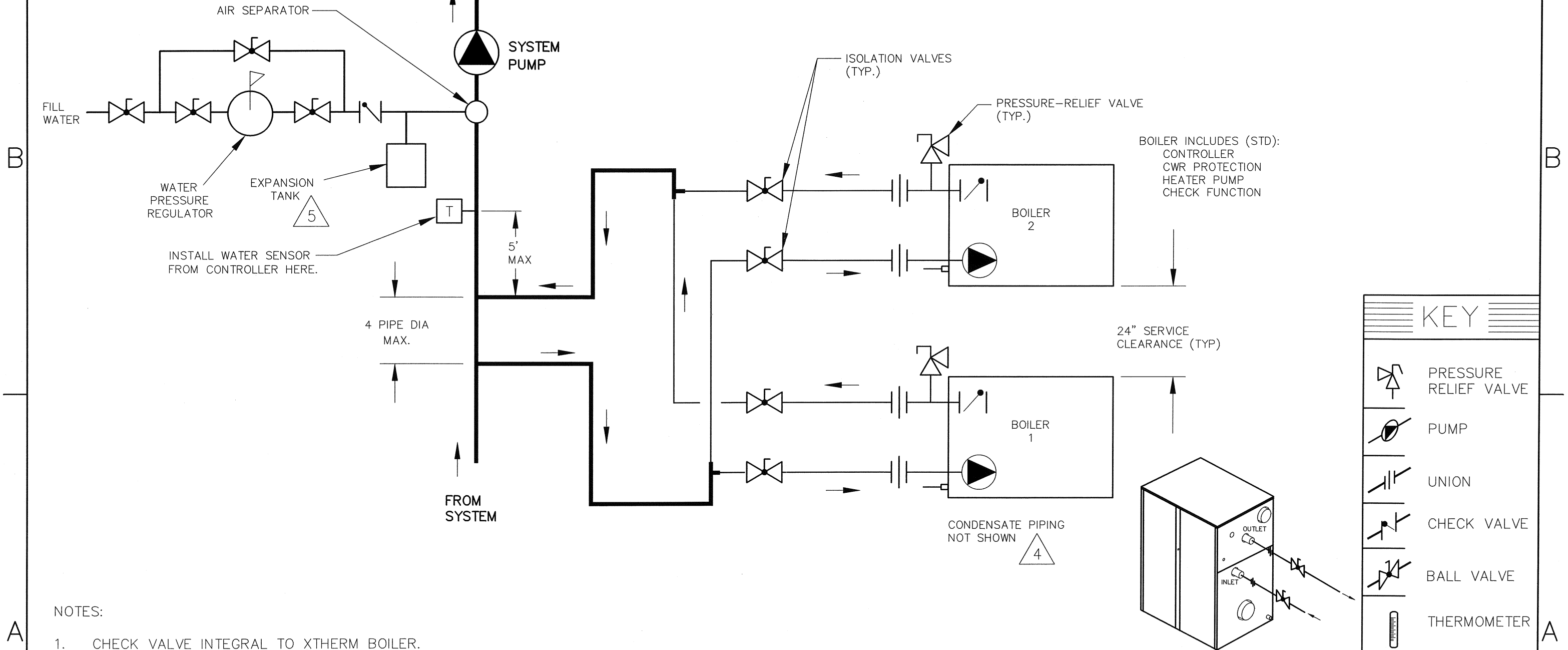


MINIMUM PIPE SIZES		
	1 UNIT	2 UNITS
1005-2005	2-1/2"	3"

REVISIONS					
REV	DESCRIPTION	E.O.	BY	DATE	CHECK
1	UPDATED BOILER SYMBOL, SYSTEM PIPING. REVISED NOTE 1, ADDED NOTE 5.		KA	4-20-11	<i>AKS</i>



- NOTES:
- CHECK VALVE INTEGRAL TO XTHERM BOILER.
 - PIPE ALL RELIEF VALVES TO DRAIN, OR AS LOCAL CODES REQUIRE.
 - MINIMUM PIPE SIZE MUST BE EQUAL TO THE BOILER INLET / OUTLET SIZE. SEE "MINIMUM PIPE SIZES" CHART ABOVE; COMBINED PIPE SIZES CALCULATED AT MAX FLOW.
- △ 4 CONDENSATE MUST BE PIPED TO AN APPROVED DRAIN. LOCAL CODE MAY REQUIRE NEUTRALIZATION PRIOR TO DRAIN.
- △ 5 PROVIDE FOR THERMAL EXPANSION OF HOT WATER IF A BACKFLOW PREVENTER, CHECK VALVE, WATER METER OR PRESSURE-REDUCING VALVE IS INSTALLED IN THE COLD WATER LINE.

ACAD: 8652.DWG

BOILERS SHOWN REPRESENT VARIOUS MODELS. BECAUSE INDIVIDUAL MODELS WILL VARY IN DESIGN AND SIZING, SEE EACH SPECIFIC BOILER TYPE FOR DETAILS.

8652	UNLESS OTHERWISE SPECIFIED: ALL UNITS ARE IN INCHES FRACTIONS ±1/32 ANGLES ±1° X. = ±.12 X.X = ±.06 X.XX = ±.03 X.XXX = ±.010 DRAFT___ WALL___ RADII___ CONCENTRICITIES .020 DIA. SQUARENESS .015 IN./IN. BREAK EDGES .015 MAX. SURFACE FINISH PER ASME Y14.36M-1996	APPROVED <i>[Signature]</i>	DATE 4-21-11	Raypak OXNARD, CALIFORNIA
	CHECKED D BALDWIN	DATE 1-8-09	E.O. SPR	
	DRAWN R NASH	DATE 11-25-08	THIS DRAWING SUBMITTED UNDER CONFIDENTIAL RELATIONSHIP, AS IT EMBODIES PROPRIETARY INFORMATION, WITH ALL RIGHTS RESERVED BY RAYPAK, INC.	
	TITLE PIPING, HYDRONIC: 2 BOILERS, XTHERM		SIZE B	
1	MAT'L.	SERIES/MODEL H 1005-2005	DWG. NO. 8652	REV 1