

D

C

B

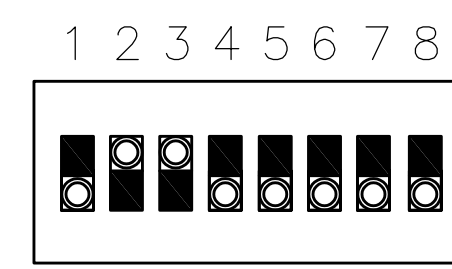
A

D

C

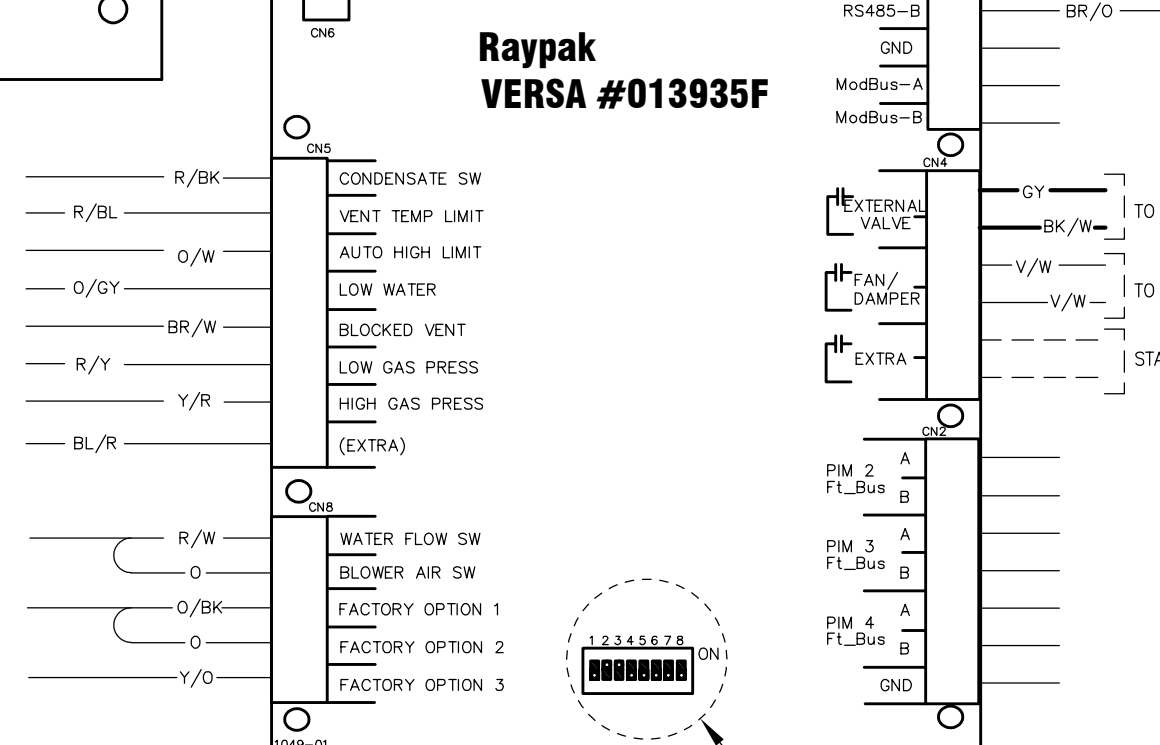
B

A

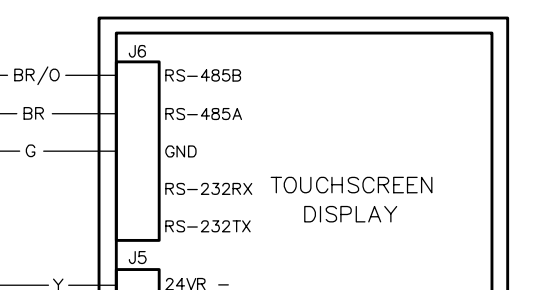


DETAIL A

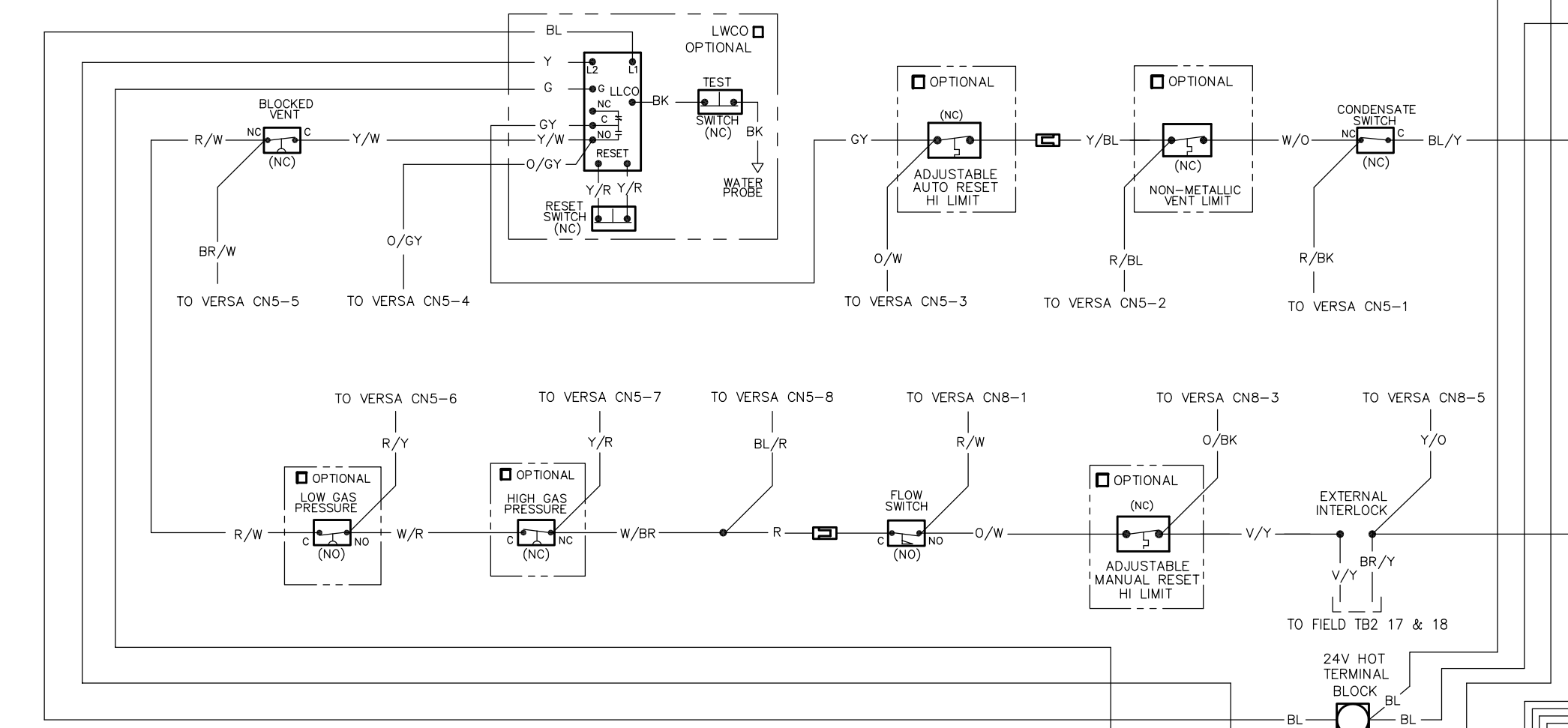
DIPSWITCH #2 "ON" FOR MASTER CONTROL ONLY  
 DIPSWITCH #3 ALWAYS "ON"  
 SEE 1 & 0 MANUAL FOR OTHER CONFIGURATIONS



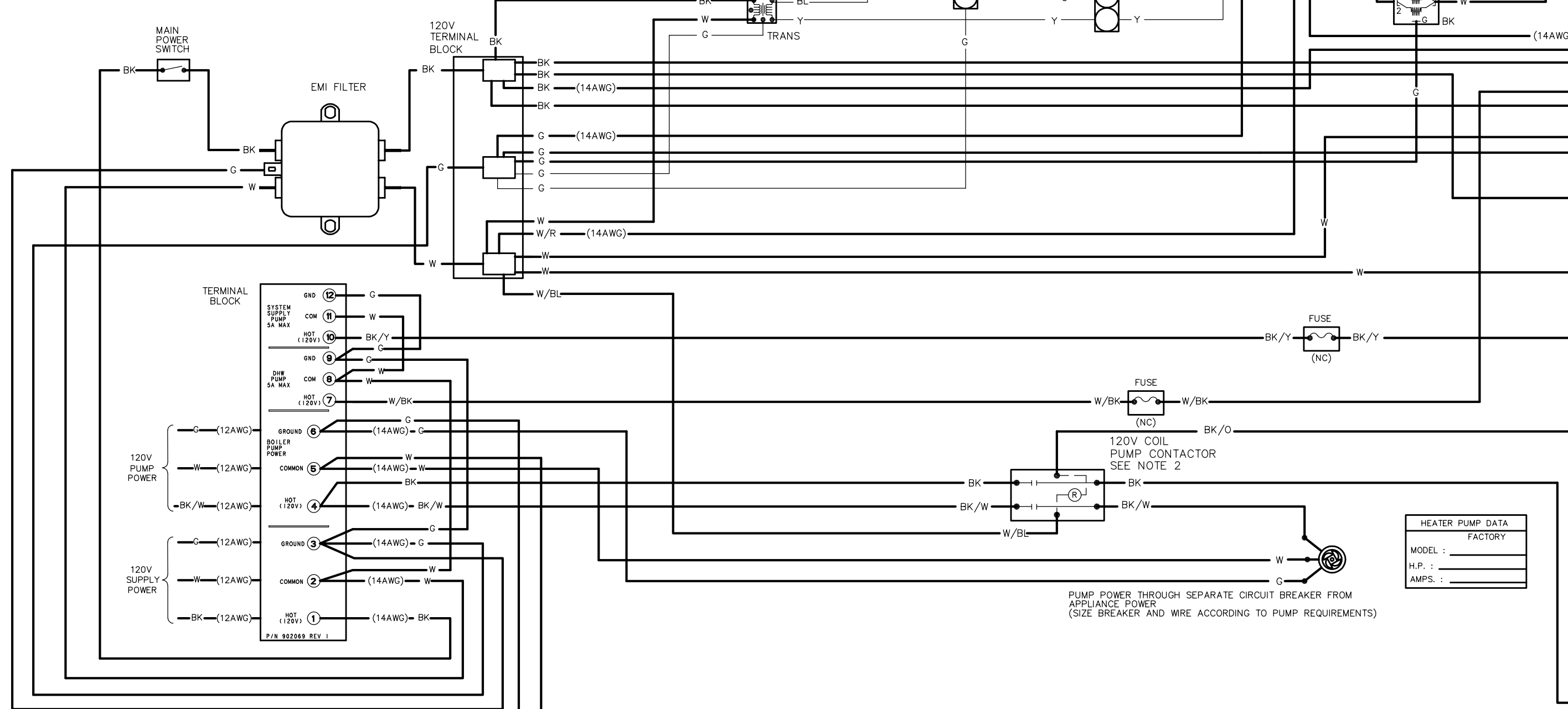
SEE DETAIL A



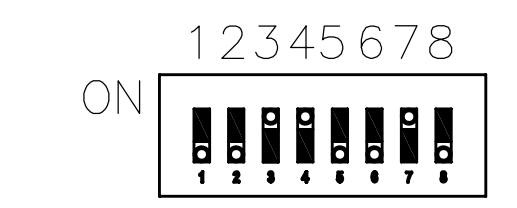
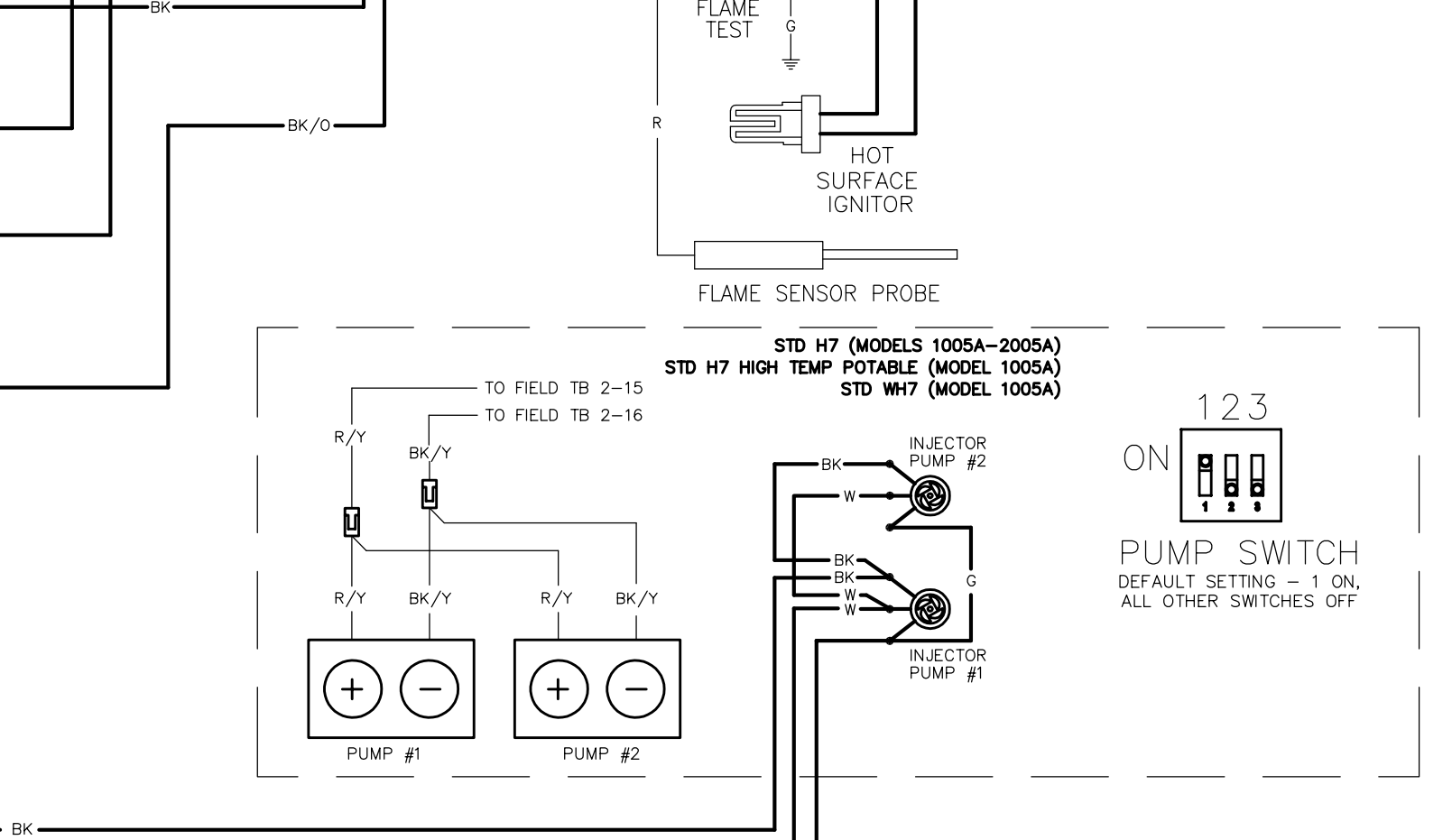
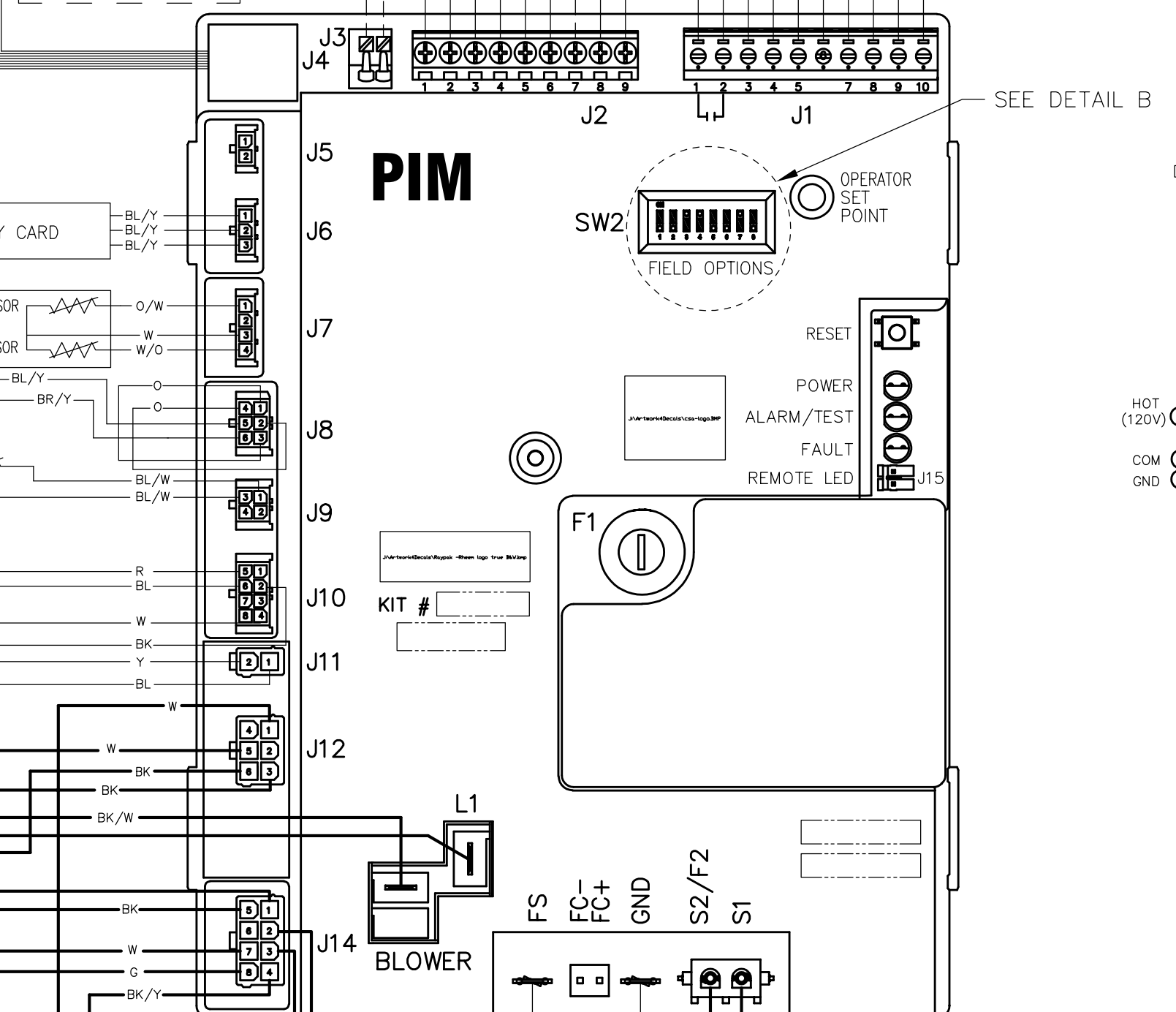
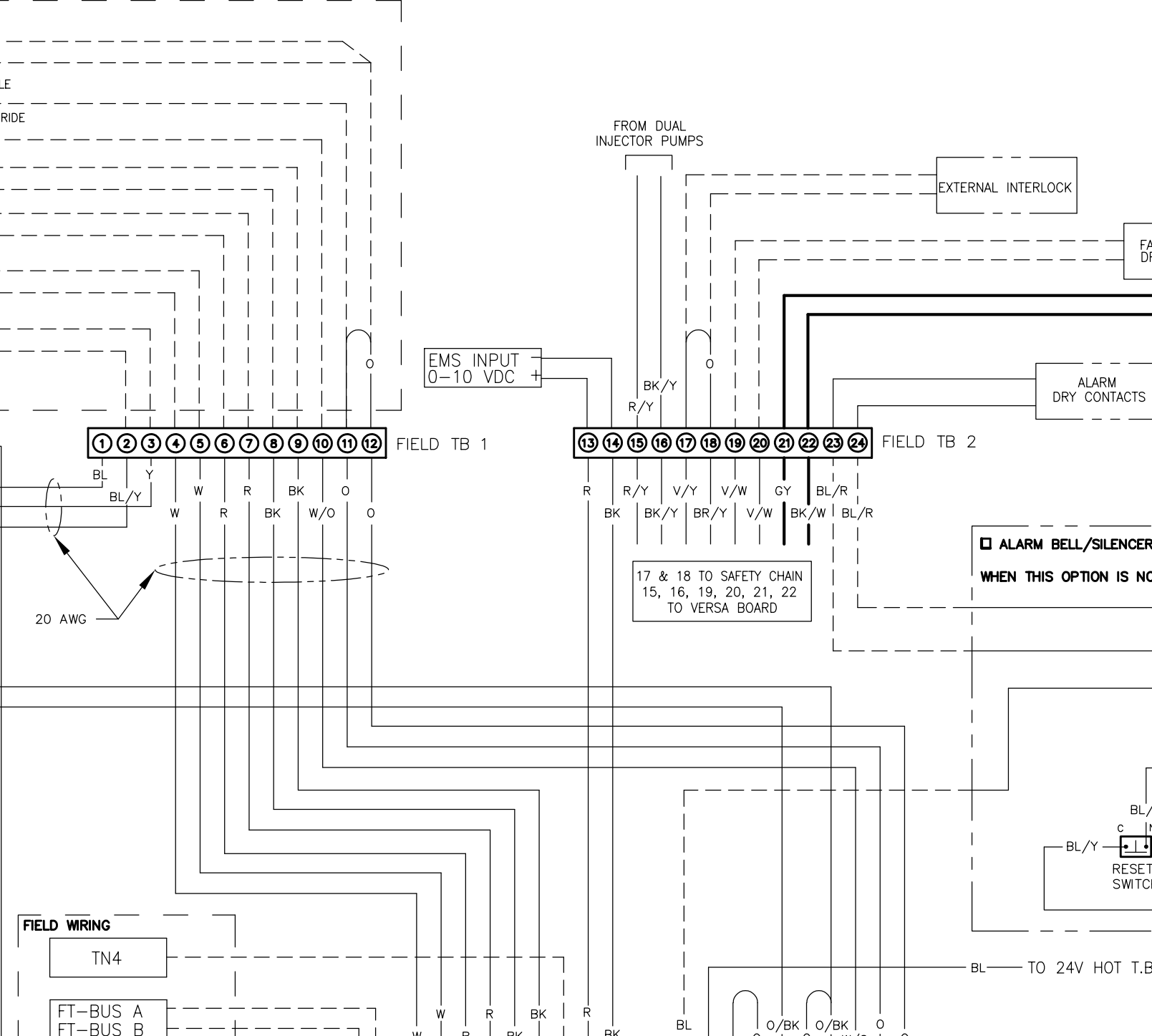
SEE DETAIL B



SEE DETAIL B

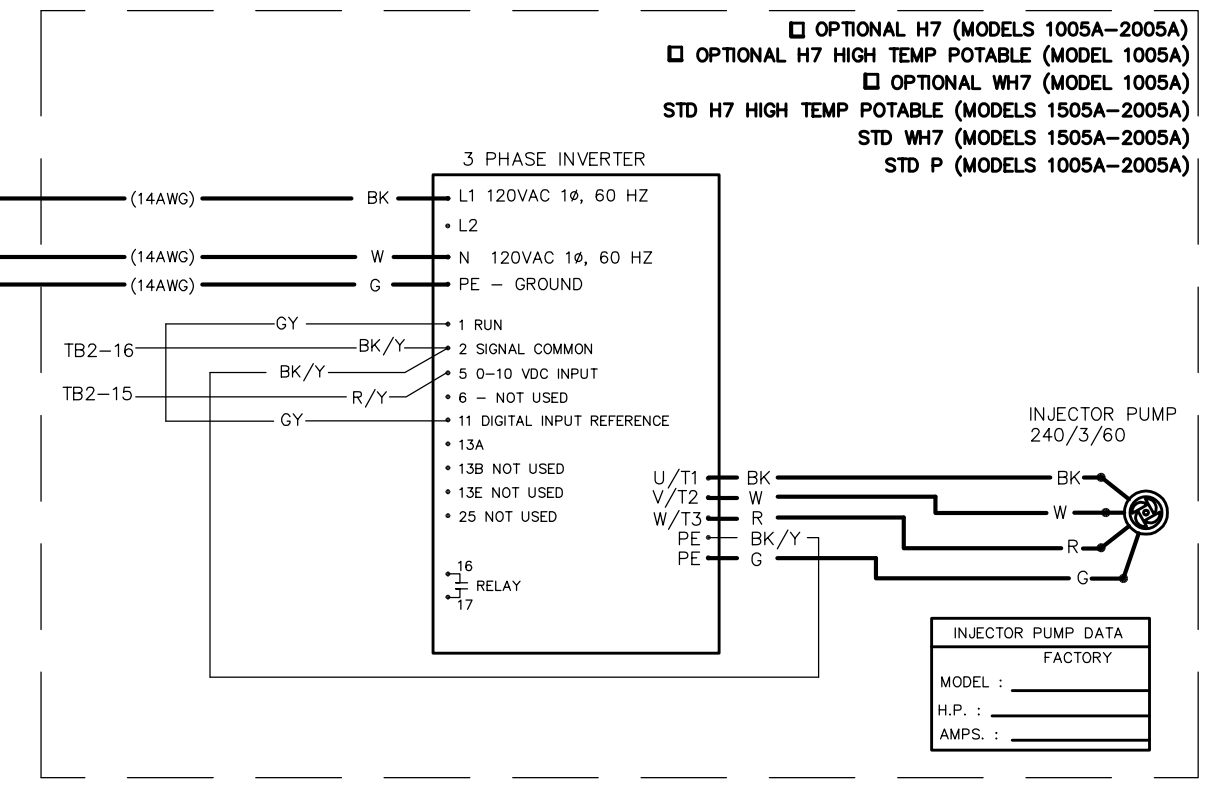


120V PUMP POWER  
 120V SUPPLY POWER  
 PUMP POWER THROUGH SEPARATE CIRCUIT BREAKER FROM APPLIANCE POWER (SIZE BREAKER AND WIRE ACCORDING TO PUMP REQUIREMENTS)



DETAIL B

DEFAULT SETTING - 3, 4, 7 ON, ALL OTHER SWITCHES OFF  
 SEE 1 & 0 MANUAL FOR OTHER CONFIGURATIONS



- NOTES:
- WHEN NOT USED, OPTIONAL SAFETIES ARE JUMPED. REMOVE JUMPERS WHEN OPTIONAL SAFETIES ARE ADDED.
  - ALL MICROFIT CONNECTIONS ARE MADE WITH 20 AWG WIRES.
  - UNLESS OTHERWISE SPECIFIED ALL WIRES ARE 18 AWG.
  - IF ANY OF THE ORIGINAL WIRE AS SUPPLIED WITH THE HEATER MUST BE REPLACED, IT MUST BE REPLACED WITH ITS EQUIVALENT 105°C.
  - CHECK CONTROLS PROVIDED (WIRED AS SHOWN).
  - PUMP RELAY MUST BE RATED FOR APPROPRIATE PUMP SIZE.
  - USE GROUND CONNECTION PROVIDED. FAILURE TO PROVIDE PROPER GROUND MAY RESULT IN LOCK-OUT.

CHECKED BY:
APPROVED BY:
ORIG E.O. 5061
6/13/13
CHG E.O. 6509
02/28/19
Raypak

RAYPAK PROPRIETARY AND CONFIDENTIAL INFORMATION  
 This drawing contains Confidential and Proprietary Information of Raypak, Inc. All rights reserved by Raypak, Inc.

WIRING DIAGRAM-HSI

INPUTS: 1,000,000 THRU 2,000,000 BTUH  
 SIZE: 1005A-2005A TYPE: H7/WH7/P

KEY	
---	LOW VOLTAGE
---	FIELD INSTALL
---	LINE VOLTAGE
---	FIELD INSTALL
⊕	GROUND
♂/♀	MALE/FEM TERMINAL CONN
○	TERMINAL CONNECTION
●	CONNECTION
BK	BLACK
BL	BLUE
BR	BROWN
GY	GRAY
G	GREEN
O	ORANGE
R	RED
V	VIOLET
W	WHITE
Y	YELLOW