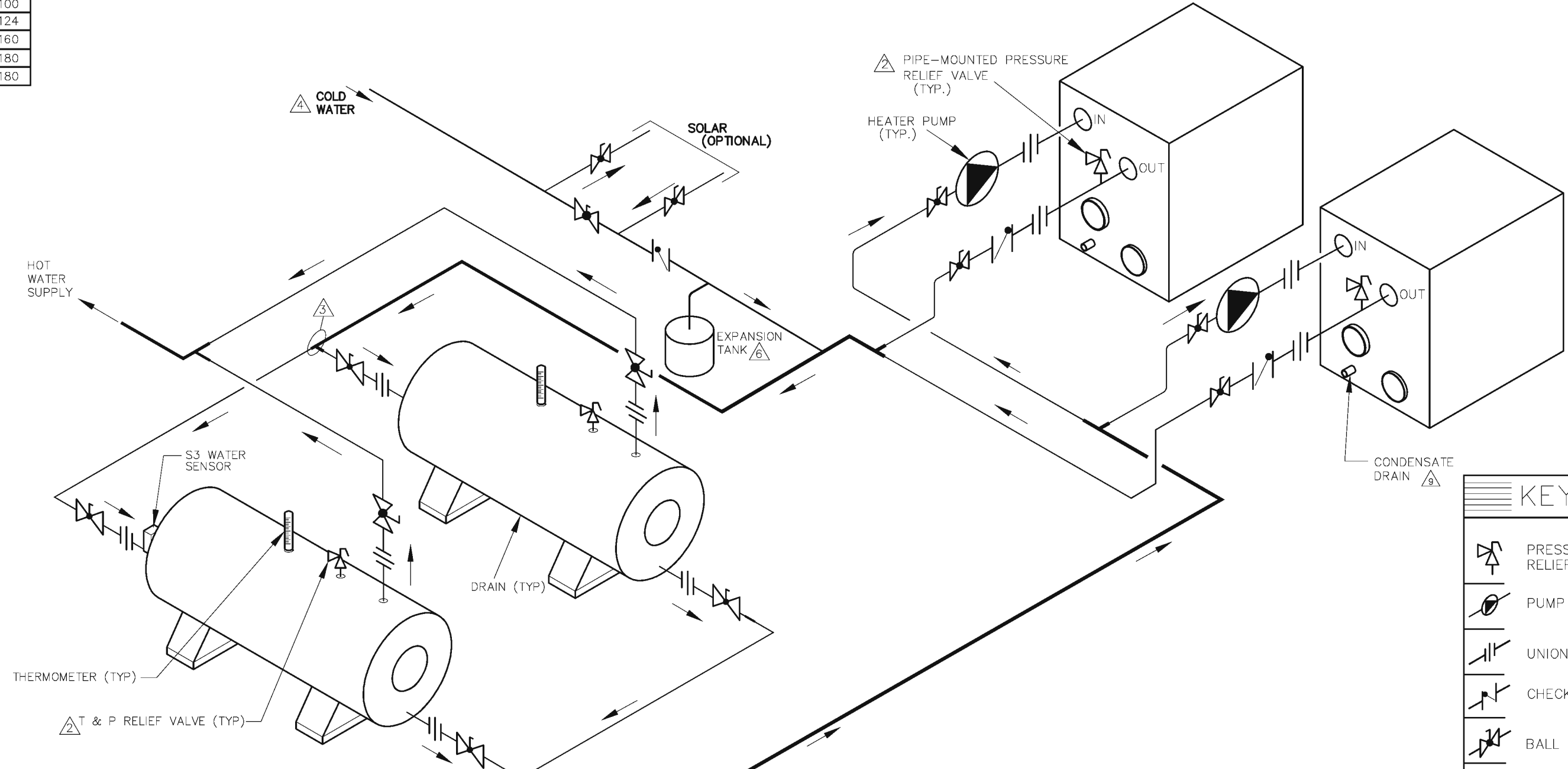


XFIIRE PIPE SIZES				
	1 UNIT PORT	MAX FLOW	2 UNITS	MAX FLOW
300B	2	38	2	76
400B	2	50	2-1/2	100
500B	2	62	2-1/2	124
650B	2	80	3	160
800B	2	90	4	180
1000B	2-1/2	90	4	180

THIS PIPING DIAGRAM IS RAYPAK'S RECOMMENDATION AND IS NOT INTENDED TO REPLACE AN ENGINEERED PIPING SYSTEM DESIGNED BY A PROFESSIONAL ENGINEER.

REVISIONS					
REV	DESCRIPTION	E.O.	BY	DATE	CHECK
0	INITIAL RELEASE, SUPERSEDES 8815		DCF	3-2-20	



- NOTES:
1. PLUMB SWING CHECK VALVE IN GRAVITY-CLOSED POSITION.
  2. PIPE ALL RELIEF VALVES TO DRAIN, OR AS LOCAL CODES REQUIRE.
  3. LOCATE TEE AS CLOSE AS POSSIBLE TO TANK.
  4. INSTALL COLD WATER BETWEEN HEATER OUTLET AND TANK.
  5. SEE CHART "PIPE SIZES" FOR PIPE SIZES, CALCULATED AT MAXIMUM FLOW, NOT TO EXCEED 7.5 FT/SEC.
  6. PROVIDE FOR THERMAL EXPANSION OF HOT WATER IF A BACKFLOW PREVENTER, CHECK VALVE, WATER METER OR PRESSURE-REDUCING VALVE IS INSTALLED IN THE COLD WATER LINE.
  7. IF HOT WATER SETPOINT EXCEEDS 150F WITH MAX FLOW, SPECIFY "H" BOILERS INSTEAD OF "WH" WATER HEATERS.
  8. STANDARD PUMP SIZING BASED ON 75 EQUIVALENT FEET OF PIPING. IF DISTANCE IS GREATER, THE PUMP MUST BE SIZED TO ACCOMMODATE INCREASE IN PIPING-RELATED LOSSES.
  9. CONDENSATE MUST BE PIPED TO AN APPROVED DRAIN. LOCAL CODE MAY REQUIRE PH TREATMENT PRIOR TO DRAIN.

GUARANTEED 60% DRAW WITHOUT TEMPERATURE DROP, USE RAYPAK HEATER, TANK, SIZING TABLE AND HOOK-UP DATA

KEY	
	PRESSURE RELIEF VALVE
	PUMP
	UNION
	CHECK VALVE
	BALL VALVE
	THERMOMETER

ACAD: 8911. DWG

HEATER SHOWN REPRESENTS VARIOUS MODELS. BECAUSE INDIVIDUAL MODELS WILL VARY IN DESIGN AND SIZING, SEE EACH SPECIFIC HEATER TYPE FOR DETAILS.

8911	UNLESS OTHERWISE SPECIFIED: ALL UNITS ARE IN INCHES FRACTIONS ±1/32 ANGLES ±1° X. = ±.12 X.X = ±.06 X.XX = ±.03 X.XXX = ±.010 DRAFT___ WALL___ RADII___ CONCENTRICITIES .020 DIA. SQUARENESS .015 IN./IN. BREAK EDGES .015 MAX. SURFACE FINISH PER ASME Y14.36M-1996	APPROVED <b>Steve Thurlkill</b>	DATE 3/2/2020	 OXNARD, CALIFORNIA
	CHECKED <b>David R Baldwin</b>	DATE 3/2/2020	E.O. SPR	
			DRAWN <b>D FERGUSON</b>	DATE 3/2/2020
RAYPAK PROPRIETARY AND CONFIDENTIAL INFORMATION This drawing contains Confidential and Proprietary Information of Raypak, Inc. All rights reserved by Raypak, Inc.				
TITLE <b>PIPING, UNI-TEMP 60: 2 XFIIRE, 2 H TANK</b>				
MAT'L.	SERIES/MODEL WH	SIZE B	DWG. NO. 8911	REV