

PUMP DATA	
FACTORY	FIELD
MODEL :	
H.P. :	
AMPS. :	

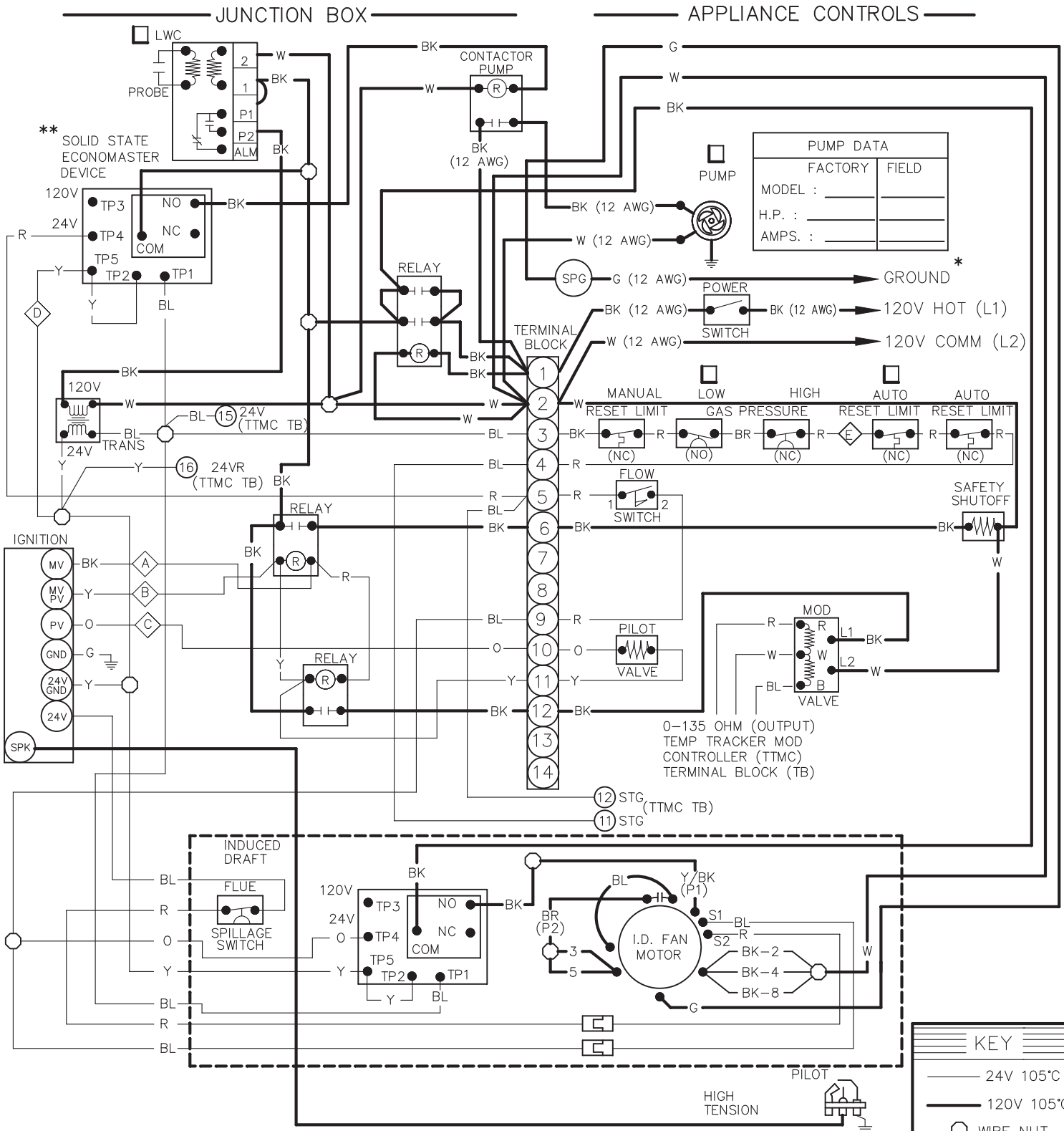
**NOTES: \*** USE GROUND CONNECTION PROVIDED. FAILURE TO PROVIDE PROPER GROUND MAY RESULT IN LOCK-OUT ALL GROUND  $\perp$  TERMINATE AT  $\text{SPG}$ .

- \*\* PUMP DELAY ADJUSTABLE BETWEEN 3 AND 10 MINUTES.
- $\text{A} - \text{E}$  CONNECTIONS FOR OPTIONAL E-4 ALARM PANEL.
- CHECK CONTROLS PROVIDED (WIRED AS SHOWN) REPLACE WIRING WITH 105°C WIRE ONLY.

KEY	
	24V 105°C
	120V 105°C
	WIRE NUT
	GROUND
BK	BLACK
BR	BROWN
R	RED
O	ORANGE
Y	YELLOW
G	GREEN
BL	BLUE
V	VIOLET
W	WHITE

CHECKED BY:
APPROVED BY:
ORIG E.O. 1947
07/05/84
CHG E.O. 5407
07/29/15
<b>Raupak</b>

<b>WIRING DIAGRAM IID ECONOMASTER FIRING MODE - MODULATING</b>	
BOILER INPUTS: 3,000,000 THRU 4,000,000 BTUH	
SIZE: <b>3001-4001</b>	TYPE: <b>W2</b>



PUMP DATA	
FACTORY	FIELD
MODEL :	
H.P. :	
AMPS. :	

0-135 OHM (OUTPUT)  
TEMP TRACKER MOD  
CONTROLLER (TTMC)  
TERMINAL BLOCK (TB)

**NOTES: \*** USE GROUND CONNECTION PROVIDED. FAILURE TO PROVIDE PROPER GROUND MAY RESULT IN LOCK-OUT ALL GROUND  $\pm$  TERMINATE AT SPG.

\*\* PUMP DELAY ADJUSTABLE BETWEEN 3 AND 10 MINUTES.  
 A - E CONNECTIONS FOR OPTIONAL E-4 ALARM PANEL.  
 CHECK CONTROLS PROVIDED (WIRED AS SHOWN)  
 REPLACE WIRING WITH 105°C WIRE ONLY.

KEY	
	24V 105°C
	120V 105°C
	WIRE NUT
	GROUND
	MALE/FEMALE TERMINAL CONN
BK	BLACK
BR	BROWN
R	RED
O	ORANGE
Y	YELLOW
G	GREEN
BL	BLUE
V	VIOLET
W	WHITE

CHECKED BY:
APPROVED BY:
ORIG E.O. 1947
07/05/84
CHG E.O. 5407
07/29/15

**WIRING DIAGRAM IID ECONOMASTER  
FIRING MODE - MODULATING**

BOILER INPUTS: 3,000,000 THRU 4,000,000 BTUH

SIZE: 3001-4001	TYPE: W2	151990	14
-----------------	----------	--------	----

