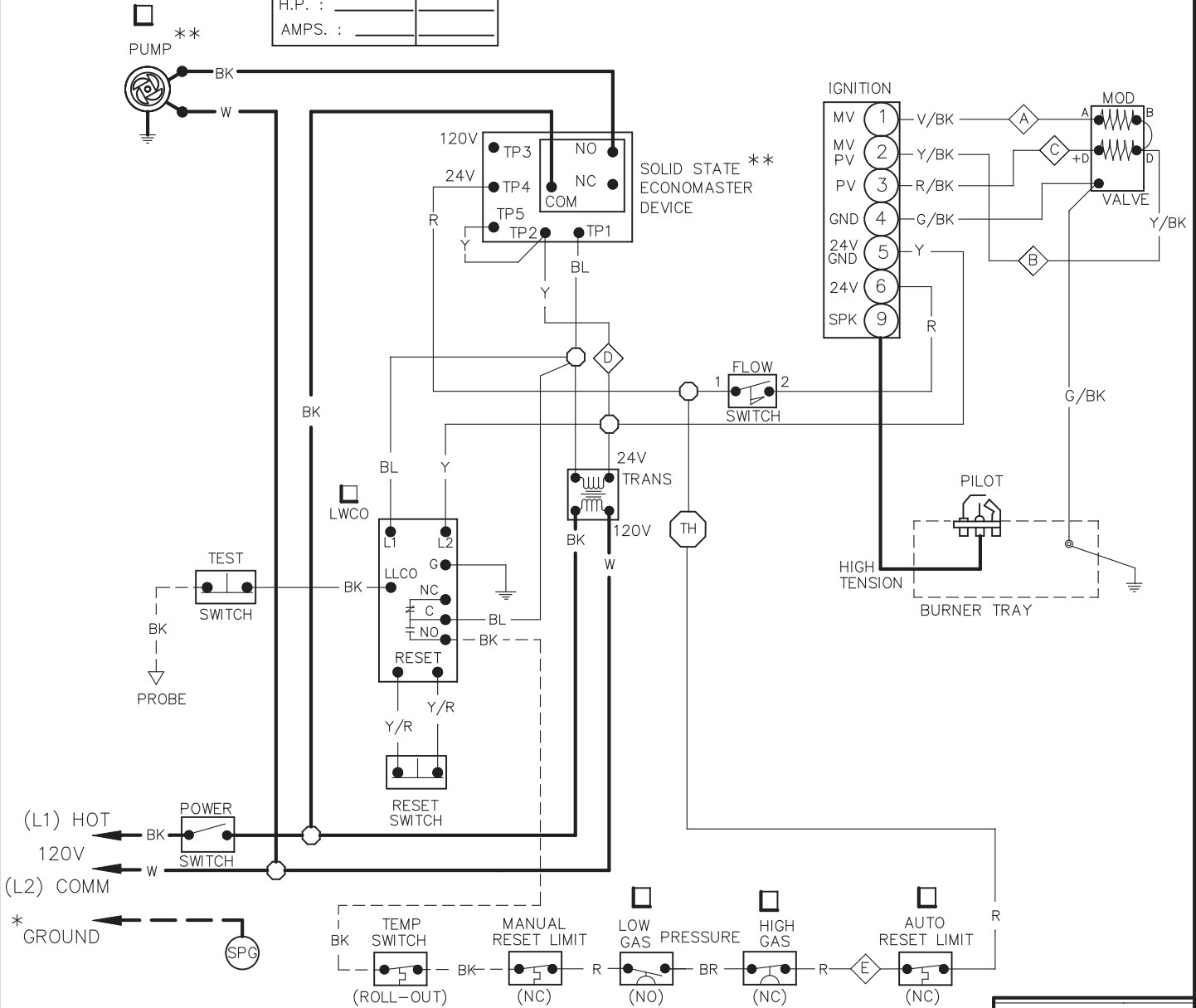


PUMP DATA	
FACTORY	FIELD
MODEL :	
H.P. :	
AMPS. :	



NOTES: * USE GROUND CONNECTION PROVIDED. FAILURE TO PROVIDE PROPER GROUND MAY RESULT IN LOCK-OUT. ALL GROUND \perp TERMINATE AT SPG .

** PUMP USED MUST BE RATED 10 AMPS MAX OR 3/4 HP MAX. PUMP DELAY ADJUSTABLE BETWEEN 3 AND 10 MINUTES.

\triangle - \diamond CONNECTIONS FOR OPTIONAL E-4 ALARM PANEL.

CHECK CONTROLS PROVIDED (WIRED AS SHOWN)
REPLACE WIRING WITH 105°C WIRE ONLY

**WIRING DIAGRAM IID ECONOMASTER
FIRING MODE - MECHANICAL MODULATING**

INPUTS: 334,000 THRU 399,000 BTUH

SIZE: **330/400**

TYPE: **H1/H5/W2/WH2**

KEY	
----	150°C WIRE
—	24V
—	120V
----	120V FIELD WIRE
\circ	WIRE NUT
SPG	SINGLE POINT GROUND
BK	BLACK
BR	BROWN
R	RED
O	ORANGE
Y	YELLOW
G	GREEN
BL	BLUE
V	VIOLET
W	WHITE

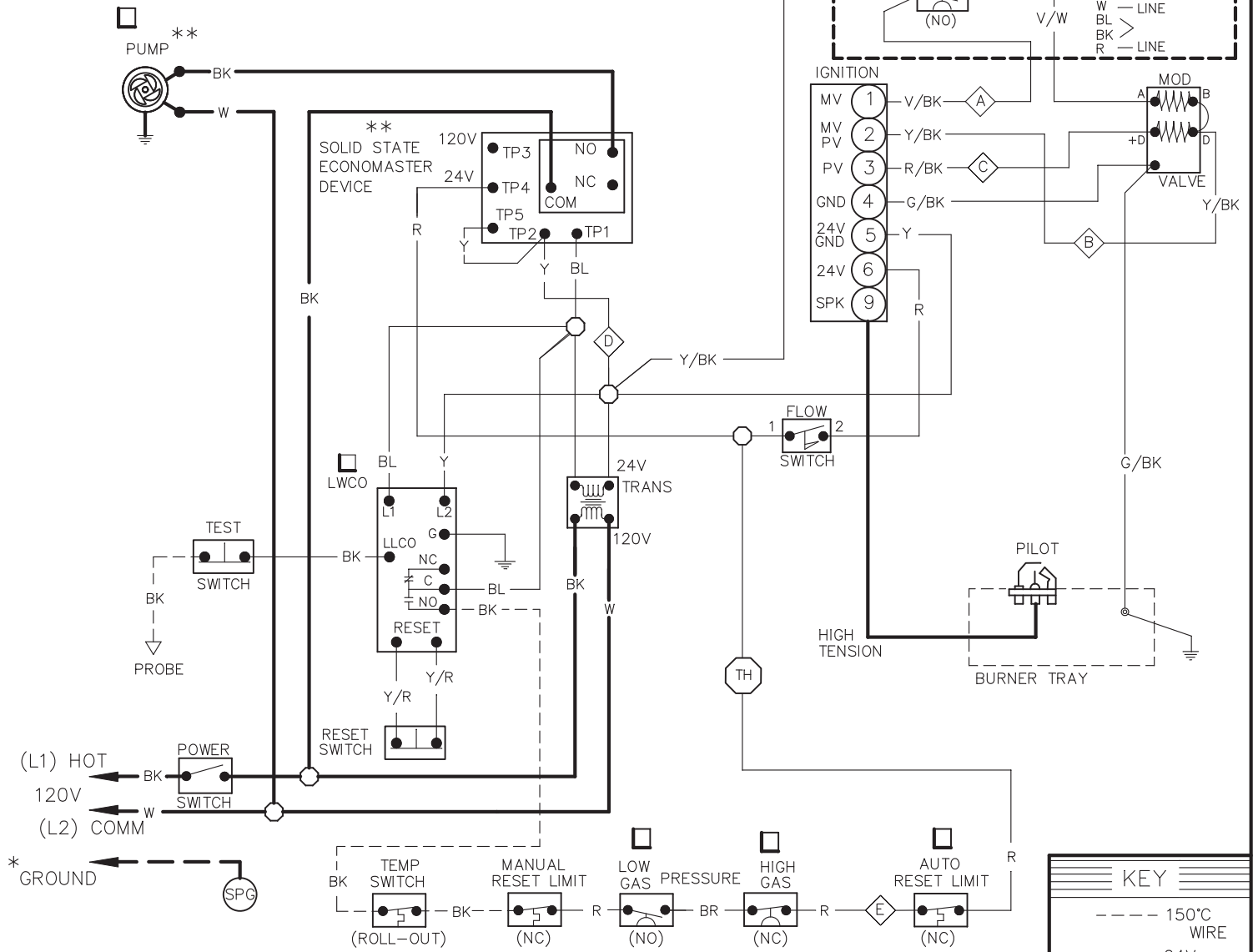
CHECKED BY:	
APPROVED BY:	
ORIG E.O.	3311
	08/17/00
CHG E.O.	5223
	08/12/14

Raupak

152506

4

PUMP DATA	
FACTORY	FIELD
MODEL :	
H.P. :	
AMPS. :	



NOTES: * USE GROUND CONNECTION PROVIDED. FAILURE TO PROVIDE PROPER GROUND MAY RESULT IN LOCK-OUT. ALL GROUND \perp TERMINATE AT (SPG).

** PUMP USED MUST BE RATED 10 AMPS MAX OR 3/4 HP MAX. PUMP DELAY ADJUSTABLE BETWEEN 3 AND 10 MINUTES.

Ⓐ - Ⓔ CONNECTIONS FOR OPTIONAL E-4 ALARM PANEL.

☑ CHECK CONTROLS PROVIDED (WIRED AS SHOWN) REPLACE WIRING WITH 105°C WIRE ONLY

KEY	
---	150°C WIRE
—	24V
—	120V
---	120V FIELD WIRE
○	WIRE NUT
⊕	SINGLE POINT GROUND
(SPG)	GROUND
BK	BLACK
BR	BROWN
R	RED
O	ORANGE
Y	YELLOW
G	GREEN
BL	BLUE
V	VIOLET
W	WHITE

CHECKED BY:	
APPROVED BY:	
ORIG E.O. 3311	
08/17/00	
CHG E.O. 5223	
08/12/14	
Raupak	

WIRING DIAGRAM IID ECONO POWER VENT FIRING MODE - MECHANICAL MODULATING	
INPUTS:	334,000 THRU 399,000 BTUH
SIZE:	330/400
TYPE:	H1/H5/W2/WH2

152506	4
---------------	----------