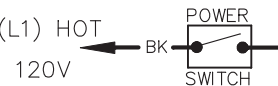
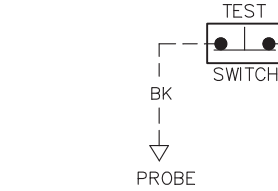


PUMP DATA	
FACTORY	FIELD
MODEL :	
H.P. :	
AMPS. :	



*GROUND (SPG)

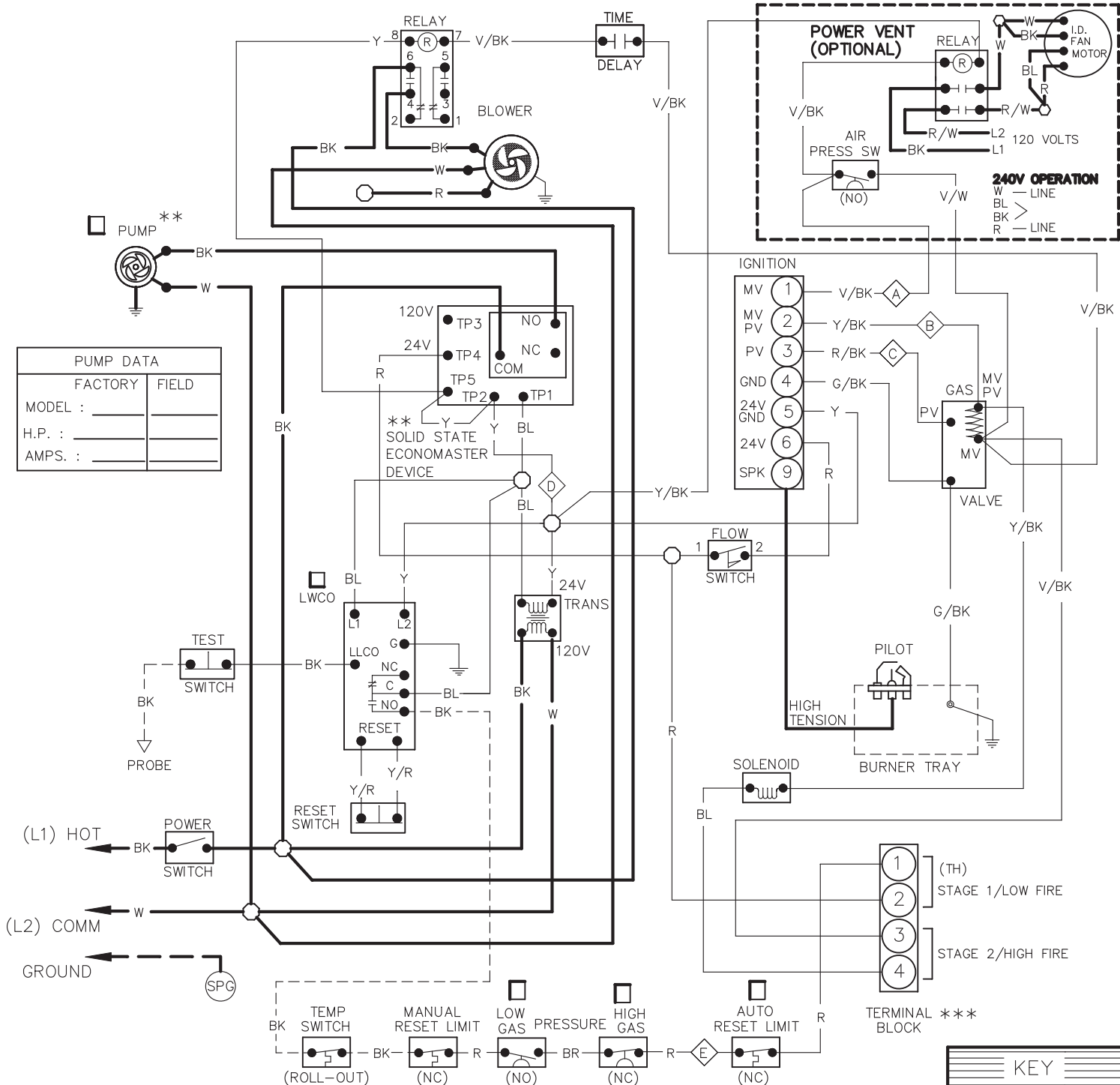
NOTES: * USE GROUND CONNECTION PROVIDED. FAILURE TO PROVIDE PROPER GROUND MAY RESULT IN LOCK-OUT ALL GROUND \equiv TERMINATE AT (SPG).

- ** PUMP USED MUST BE RATED 10 AMPS MAX OR 3/4 HP MAX. PUMP DELAY ADJUSTABLE BETWEEN 3 AND 10 MINUTES.
- *** FOR TWO STAGE OPERATION OR MULTIPLE BOILER SYSTEM, SEE INSTALLATION AND OPERATING INSTRUCTION MANUAL.
- ⬡ - ⬢ CONNECTIONS FOR OPTIONAL E-4 ALARM PANEL.
- ☑ CHECK CONTROLS PROVIDED (WIRED AS SHOWN) REPLACE WIRING WITH 105°C WIRE ONLY

KEY	
---	150°C WIRE
---	24V
---	120V
---	120V FIELD WIRE
○	WIRE NUT
(SPG)	GROUND
BK	BLACK
BR	BROWN
R	RED
O	ORANGE
Y	YELLOW
G	GREEN
BL	BLUE
V	VIOLET
W	WHITE

CHECKED BY:	
APPROVED BY:	
ORIG E.O.	3403
	11/01/01
CHG E.O.	5223
	08/13/14
Raupak	

WIRING DIAGRAM IID ECONOMASTER LOW NOX FIRING MODE - 2-STAGE	
INPUTS:	334,000 THRU 399,000 BTUH
SIZE:	331/401
TYPE:	H3/W3/WH3



PUMP DATA	
FACTORY	FIELD
MODEL :	
H.P. :	
AMPS. :	

NOTES:

- * **USE GROUND CONNECTION PROVIDED. FAILURE TO PROVIDE PROPER GROUND MAY RESULT IN LOCK-OUT ALL GROUND ≡ TERMINATE AT (SPG).**
- ** PUMP USED MUST BE RATED 10 AMPS MAX OR 3/4 HP MAX. PUMP DELAY ADJUSTABLE BETWEEN 3 AND 10 MINUTES.
- *** FOR TWO STAGE OPERATION OR MULTIPLE BOILER SYSTEM, SEE INSTALLATION AND OPERATING INSTRUCTION MANUAL.

- ⬡ - ⬢ CONNECTIONS FOR OPTIONAL E-4 ALARM PANEL.
- ☑ CHECK CONTROLS PROVIDED (WIRED AS SHOWN)
- REPLACE WIRING WITH 105°C WIRE ONLY

CHECKED BY:	
APPROVED BY:	
ORIG E.O.	3403
	11/01/01
CHG E.O.	5223
	08/13/14
Raupak	

WIRING DIAGRAM IID ECONO LOW NOX POWER VENT FIRING MODE - 2-STAGE	
INPUTS:	334,000 THRU 399,000 BTUH
SIZE:	331/401
TYPE:	H3/W3/WH3

KEY	
----	150°C WIRE
—	24V
—	120V
----	120V FIELD WIRE
○	WIRE NUT
⊕	GROUND
BK	BLACK
BR	BROWN
R	RED
O	ORANGE
Y	YELLOW
G	GREEN
BL	BLUE
V	VIOLET
W	WHITE

152573 | **4**