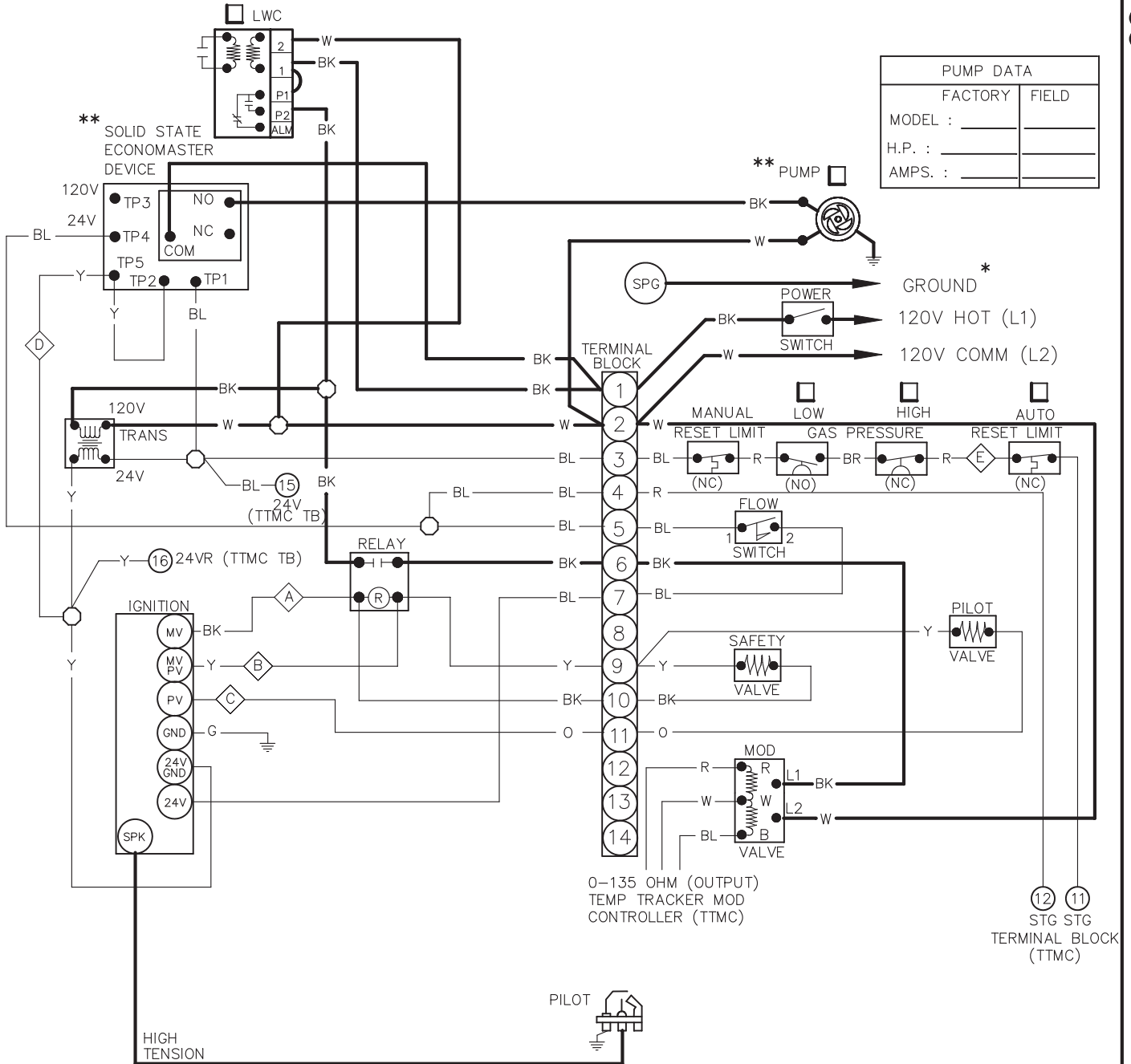


JUNCTION BOX

APPLIANCE CONTROLS



PUMP DATA	
FACTORY	FIELD
MODEL :	
H.P. :	
AMPS. :	

**NOTES:** \* USE GROUND CONNECTION PROVIDED. FAILURE TO PROVIDE PROPER GROUND MAY RESULT IN LOCK-OUT ALL GROUND  $\perp$  TERMINATE AT  $\text{SPG}$ .

- \*\* PUMP USED MUST BE RATED 10 AMPS MAX OR 3/4 HP MAX. PUMP DELAY ADJUSTABLE BETWEEN 3 AND 10 MINUTES.
- $\diamond$  -  $\diamond$  CONNECTIONS FOR OPTIONAL E-4 ALARM PANEL.
- CHECK CONTROLS PROVIDED (WIRED AS SHOWN) REPLACE WIRING WITH 105°C WIRE ONLY

KEY	
—	24V 105°C
—	120V 105°C
○	WIRE NUT
⊕	GROUND
BK	BLACK
BR	BROWN
R	RED
O	ORANGE
Y	YELLOW
G	GREEN
BL	BLUE
V	VIOLET
W	WHITE

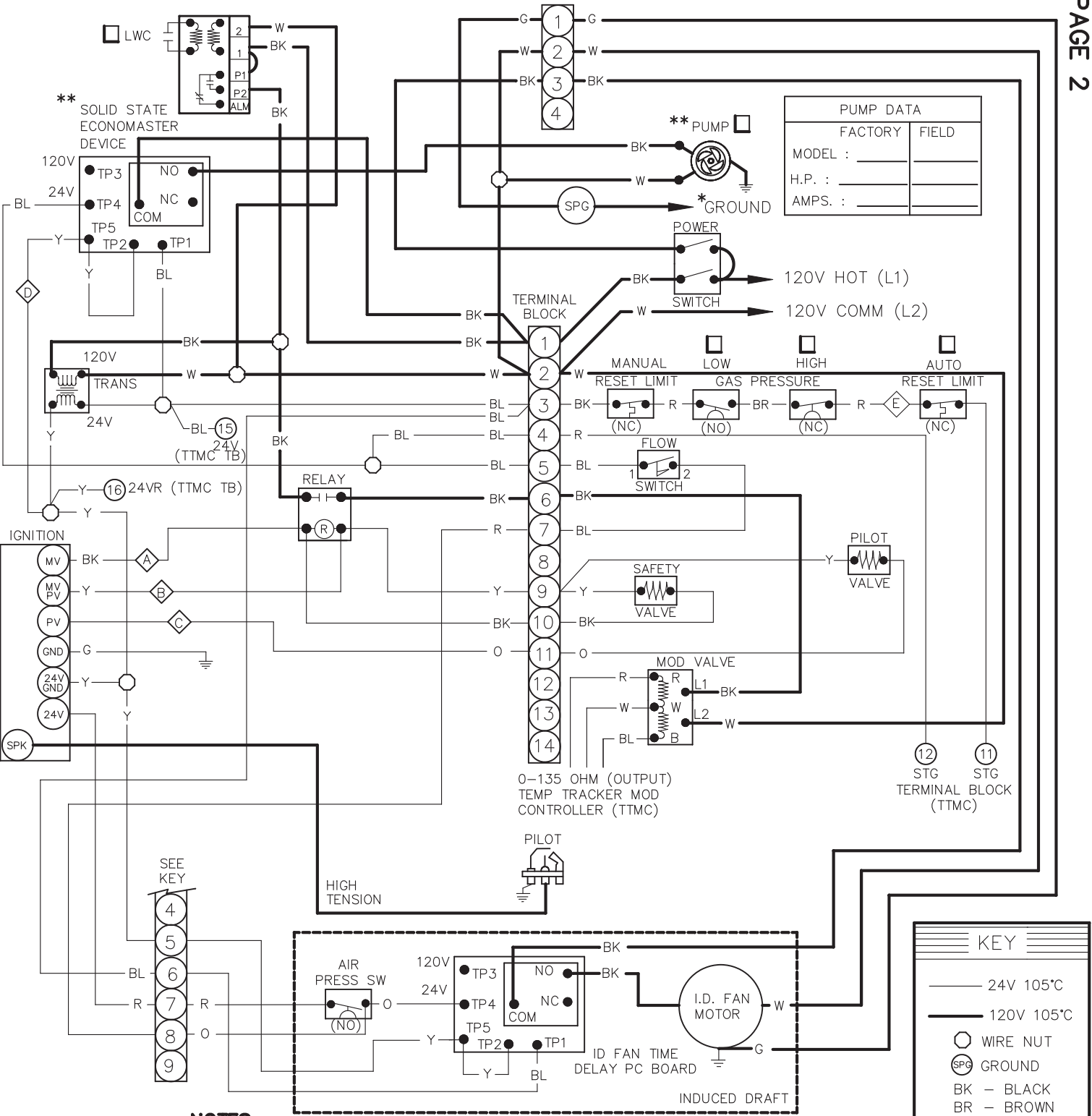
CHECKED BY:	
APPROVED BY:	
ORIG E.O. 2092	
11/12/85	
CHG E.O. 5223	
4/23/14	
<b>Raupak</b>	

WIRING DIAGRAM IID ECONOMASTER FIRING MODE - MOTORIZED MODULATION

BOILER INPUTS: 512,000 THRU 1,826,000 BTUH

BOILER SIZE: 514-1826

BOILER TYPE: H2



PUMP DATA	
FACTORY	FIELD
MODEL :	
H.P. :	
AMPS. :	

KEY											
—	24V 105°C										
—	120V 105°C										
○	WIRE NUT										
⊙	GROUND										
BK	BLACK										
BR	BROWN										
R	RED										
O	ORANGE										
Y	YELLOW										
G	GREEN										
BL	BLUE										
V	VIOLET										
W	WHITE										
PLUG (ACTUAL)											
<table border="1"> <tr> <td>3</td> <td>2</td> <td>1</td> </tr> <tr> <td>6</td> <td>5</td> <td>4</td> </tr> <tr> <td>9</td> <td>8</td> <td>7</td> </tr> </table>			3	2	1	6	5	4	9	8	7
3	2	1									
6	5	4									
9	8	7									
FRONT VIEW											

**NOTES: \*** USE GROUND CONNECTION PROVIDED. FAILURE TO PROVIDE PROPER GROUND MAY RESULT IN LOCK-OUT ALL GROUND  $\pm$  TERMINATE AT SPG.

**\*\*** PUMP USED MUST BE RATED 10 AMPS MAX OR 3/4 HP MAX. PUMP DELAY ADJUSTABLE BETWEEN 3 AND 10 MINUTES.  
 Ⓐ - Ⓔ CONNECTIONS FOR OPTIONAL E-4 ALARM PANEL.  
 ✓ CHECK CONTROLS PROVIDED (WIRED AS SHOWN) REPLACE WIRING WITH 105°C WIRE ONLY

CHECKED BY:
APPROVED BY:
ORIG E.O. 2092
11/12/85
CHG E.O. 5223
4/23/14



WIRING DIAGRAM IID ECONOMASTER  
 FIRING MODE - MOTORIZED MODULATION

BOILER INPUTS: 512,000 THRU 1,826,000 BTUH  
 BOILER SIZE: 514-1826 BOILER TYPE: H2

152109 15