

PUMP DATA	
FACTORY	FIELD
MODEL :	_____
H.P. :	_____
AMPS. :	_____

NOTES: * USE GROUND CONNECTION PROVIDED. FAILURE TO PROVIDE PROPER GROUND MAY RESULT IN LOCK-OUT ALL GROUND \perp TERMINATE AT (SPG).

** PUMP USED MUST BE RATED 10 AMPS MAX OR 3/4 HP MAX. PUMP DELAY ADJUSTABLE BETWEEN 3 AND 10 MINUTES.

⬡ — ⬢ CONNECTIONS FOR OPTIONAL E-4 ALARM PANEL.

CHECK CONTROLS PROVIDED (WIRED AS SHOWN) REPLACE WIRING WITH 105°C WIRE ONLY

WIRING DIAGRAM IID ECONOMASTER FIRING MODE — ON/OFF

BOILER INPUTS: 512,000 THRU 726,000 BTUH

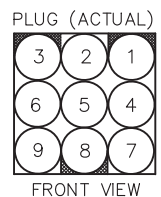
BOILER SIZE: 514-724

BOILER TYPE: H4/W1

KEY

— 24V 105°C
 — 120V 105°C

- WIRE NUT
- ⊕ SPG GROUND
- BK — BLACK
- BR — BROWN
- R — RED
- O — ORANGE
- Y — YELLOW
- G — GREEN
- BL — BLUE
- V — VIOLET
- W — WHITE



APPROVED BY:

CHECKED BY:

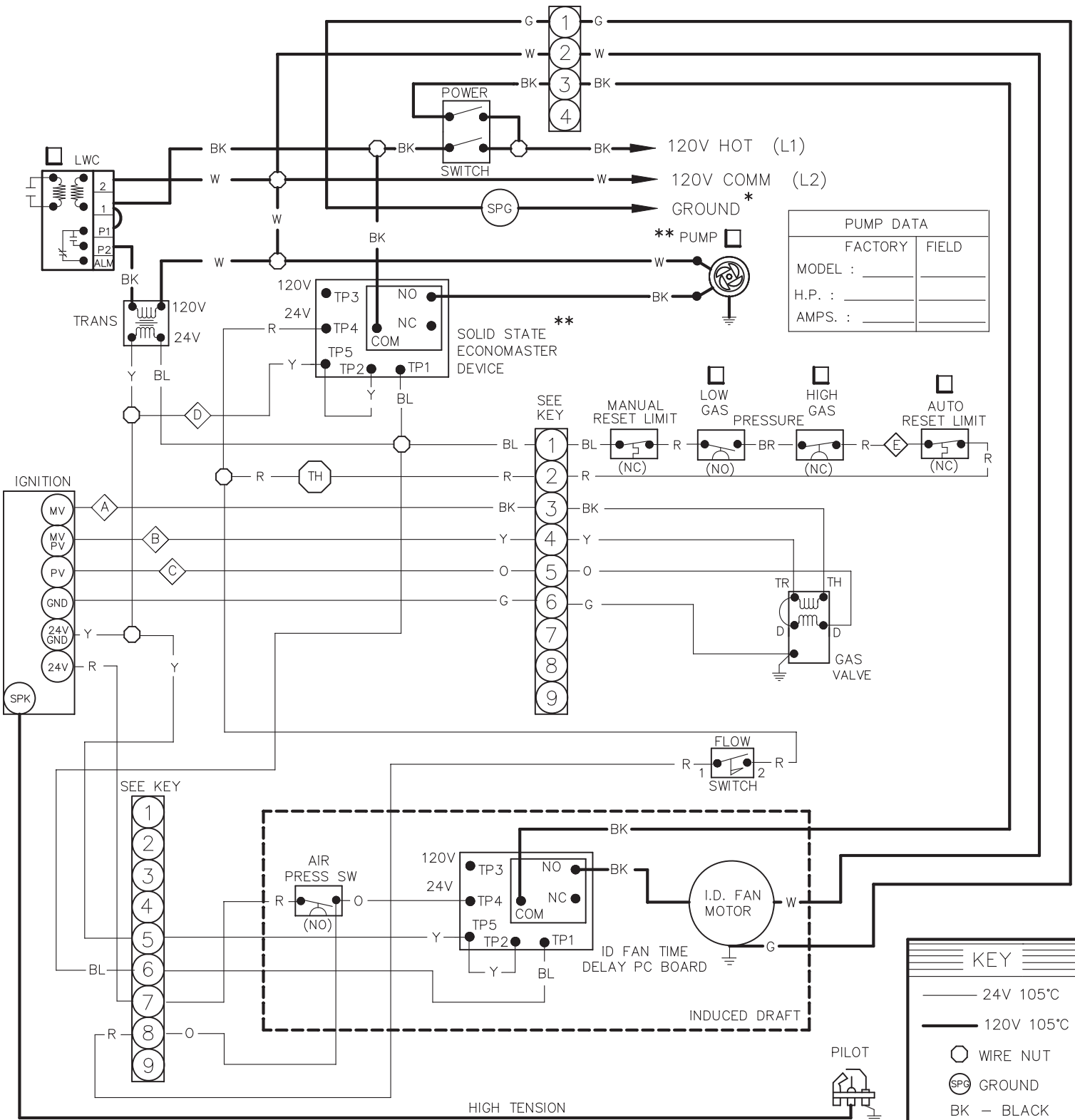
ORIG E.O. 2214

07/08/87

CHG E.O. 5223

4/23/14





PUMP DATA	
FACTORY	FIELD
MODEL :	
H.P. :	
AMPS. :	

KEY		
—	24V	105°C
—	120V	105°C
○	WIRE NUT	
⊕	GROUND	
BK	BLACK	
BR	BROWN	
R	RED	
O	ORANGE	
Y	YELLOW	
G	GREEN	
BL	BLUE	
V	VIOLET	
W	WHITE	
PLUG (ACTUAL)		
3	2	1
6	5	4
9	8	7
FRONT VIEW		

NOTES: * USE GROUND CONNECTION PROVIDED. FAILURE TO PROVIDE PROPER GROUND MAY RESULT IN LOCK-OUT ALL GROUND ± TERMINATE AT ⊕.

****** PUMP USED MUST BE RATED 10 AMPS MAX OR 3/4 HP MAX. PUMP DELAY ADJUSTABLE BETWEEN 3 AND 10 MINUTES.
 Ⓐ — Ⓔ CONNECTIONS FOR OPTIONAL E-4 ALARM PANEL.
 CHECK CONTROLS PROVIDED (WIRED AS SHOWN) REPLACE WIRING WITH 105°C WIRE ONLY

APPROVED BY:
CHECKED BY:
ORIG E.O. 2214
07/08/87
CHG E.O. 5223
4/23/14
Ralpak

WIRING DIAGRAM IID ECONO INDUCED DRAFT FIRING MODE — ON/OFF		
BOILER INPUTS:	512,000 THRU 726,000 BTUH	
BOILER SIZE:	514-724	BOILER TYPE: H4/W1
152194		9