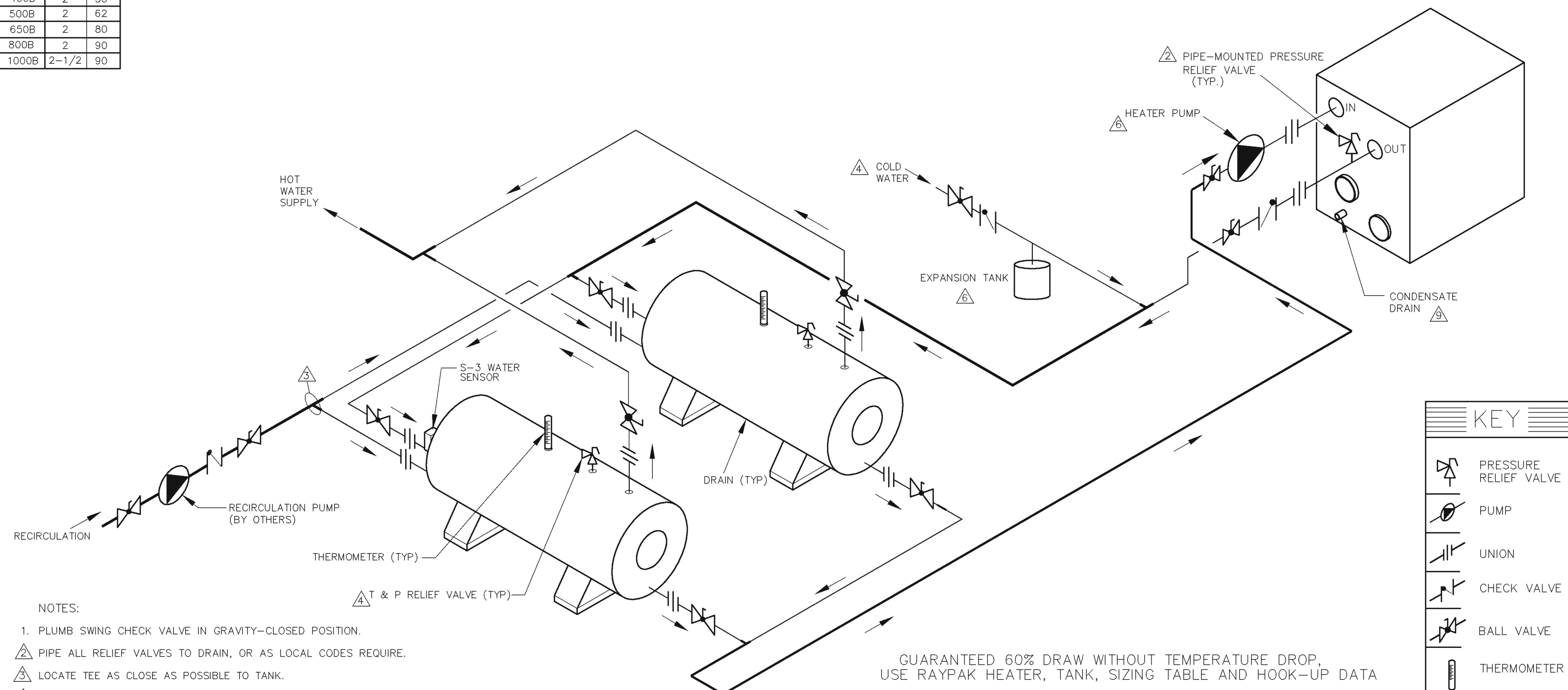


XFIIRE PIPE SIZES		
	1 UNIT PORT	MAX FLOW
300B	2	38
400B	2	50
500B	2	62
650B	2	80
800B	2	90
1000B	2-1/2	90

THIS PIPING DIAGRAM IS RAYPAK'S RECOMMENDATION AND IS NOT INTENDED TO REPLACE AN ENGINEERED PIPING SYSTEM DESIGNED BY A PROFESSIONAL ENGINEER.

REVISIONS				
REV	DESCRIPTION	E.O.	BY	DATE
0	INITIAL RELEASE		DCF	2-26-20

8908



- NOTES:
1. PLUMB SWING CHECK VALVE IN GRAVITY-CLOSED POSITION.
 2. PIPE ALL RELIEF VALVES TO DRAIN, OR AS LOCAL CODES REQUIRE.
 3. LOCATE TEE AS CLOSE AS POSSIBLE TO TANK.
 4. INSTALL COLD WATER BETWEEN HEATER OUTLET AND TANK.
 5. SEE CHART "PIPE SIZES" FOR PIPE SIZES, CALCULATED AT MAXIMUM FLOW, NOT TO EXCEED 7.5 FT/SEC.
 6. PROVIDE FOR THERMAL EXPANSION OF HOT WATER IF A BACKFLOW PREVENTER, CHECK VALVE, WATER METER OR PRESSURE-REDUCING VALVE IS INSTALLED IN THE COLD WATER LINE.
 7. IF HOT WATER SETPOINT EXCEEDS 150°F WITH MAX FLOW, SPECIFY TYPE "H" - HIGH TEMPERATURE POTABLE MODEL INSTEAD OF "WH" WATER HEATERS.
 8. STANDARD PUMP SIZING BASED ON 75 EQUIVALENT FEET OF PIPING. IF DISTANCE IS GREATER, THE PUMP MUST BE SIZED TO ACCOMMODATE INCREASE IN PIPING-RELATED LOSSES.
 9. CONDENSATE MUST BE PIPED TO AN APPROVED DRAIN. LOCAL CODE MAY REQUIRE PH TREATMENT PRIOR TO DRAIN.

KEY	
	PRESSURE RELIEF VALVE
	PUMP
	UNION
	CHECK VALVE
	BALL VALVE
	THERMOMETER

GUARANTEED 60% DRAW WITHOUT TEMPERATURE DROP, USE RAYPAK HEATER, TANK, SIZING TABLE AND HOOK-UP DATA

ACAD: 8908.DWG

HEATER SHOWN REPRESENTS VARIOUS MODELS. BECAUSE INDIVIDUAL MODELS WILL VARY IN DESIGN AND SIZING, SEE EACH SPECIFIC HEATER TYPE FOR DETAILS.

8908	UNLESS OTHERWISE SPECIFIED: ALL UNITS ARE IN INCHES FRACTIONS ±1/32 ANGLES ±1° X. = ±.12 X.X = ±.06 X.XX = ±.03 X.XXX = ±.010 DRAFT ___ WALL ___ RADII ___ CONCENTRICITIES .020 DIA. SQUARENESS .015 IN./IN. BREAK EDGES .015 MAX. SURFACE FINISH PER ASME Y14.36M-1996	APPROVED Steve Thurkill	DATE Digitally signed by Steve Thurkill Date: 2020.05.05 09:01:23 -07'00'		OXNARD, CALIFORNIA
	CHECKED David Baldwin	DATE Digitally signed by David Baldwin Date: 2020.05.05 09:01:23 -07'00'	E.O.		SCALE
	DRAWN D FERGUSON	DATE 2/26/2020	SPR	NONE	RAYPAK PROPRIETARY AND CONFIDENTIAL INFORMATION This drawing contains Confidential and Proprietary Information of Raypak, Inc. All rights reserved by Raypak, Inc.
TITLE PIPING, UNI-TEMP 60: 1 XFIIRE, 2 H TANK					
MAT'L.	SERIES/MODEL WH	SIZE B	DWG. NO. 8908	REV	