



Smart Home System  
EEWRA631GWH

## THE ECONET™ WIFI KIT FOR GAS WATER HEATERS (EEWRA631GWH) PROVIDES REMOTE ACCESS TO ECONET ENABLED POWER DAMPER MODEL WATER HEATERS FROM SMART PHONES, TABLETS, AND PERSONAL COMPUTERS.

### FEATURES

- Enables remote operation from:
  - Apps for Apple® brand mobile devices (iPhone®, iPad®, & iPod® Touch) using iOS version 7.0 or later
  - Apps for Smart Phones & Tablets using Android™ version 4.4 or later
  - Recent versions of popular web browsers such as Internet Explorer, Chrome, Safari, etc.
- Compatible with 802.11 b/g/n WiFi networks
- WPA-2 Security using AES/CCMP
- Status LEDs:
  - Power & Equipment Connection Status
  - Home Network WiFi Status
  - Internet Connection Status
- "WLAN SETUP" factory reset button

### ECONET WIFI KIT FOR GAS WATER HEATERS EEWRA631GWH



### WIFI KIT COMPONENTS

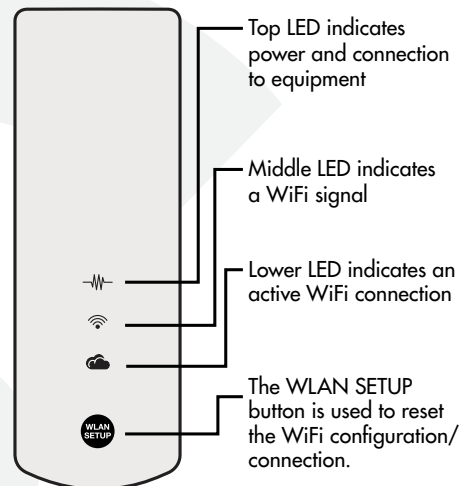
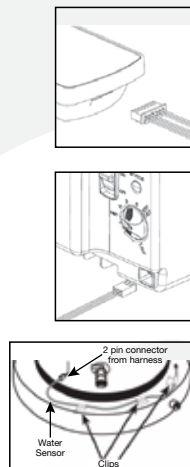
- EcoNet WiFi Module
- Installation Instructions
- Communication Cable
- Water Sensor
- Water Sensor Installation Clips
- 1" x 2" Double Adhesive Mounting Tape

### COMPATIBILITY

- Works with all EcoNet Enabled Gas Tank Type Power Damper Water heaters

### WARRANTY

- 1 Year from installation date



In keeping with its policy of continuous progress and product improvement, Ruud reserves the right to make changes without notice.

Ruud Heating, Cooling & Water Heating • 101 Bell Road  
Montgomery, Alabama 36117-4305 • www.ruud.com

Ruud Canada Ltd./Ltée • 125 Edgeware Road, Unit 1  
Brampton, Ontario • L6Y 0P5

RELY ON RUUD.™

PRINTED IN U.S.A. 5/15 WP FORM NO. CORP-RU-ECO-GWHSS-2015-1