

NOTES: * USE GROUND CONNECTION PROVIDED. FAILURE TO PROVIDE PROPER GROUND MAY RESULT IN LOCK-OUT. ALL GROUND \perp TERMINATE AT (SPG).

** PUMP DELAY ADJUSTABLE BETWEEN 3 AND 10 MINUTES.

*** FOR TWO STAGE OPERATION OR MULTIPLE BOILER SYSTEM, SEE INSTALLATION AND OPERATING INSTRUCTION MANUAL.

\triangle - \diamond CONNECTIONS FOR OPTIONAL E-4 ALARM PANEL.

CHECK CONTROLS PROVIDED (WIRED AS SHOWN) REPLACE WIRING WITH 105°C WIRE ONLY

CHECKED BY:
APPROVED BY:
ORIG E.O. 1947
07/18/84
CHG E.O. 5407
10/13/15

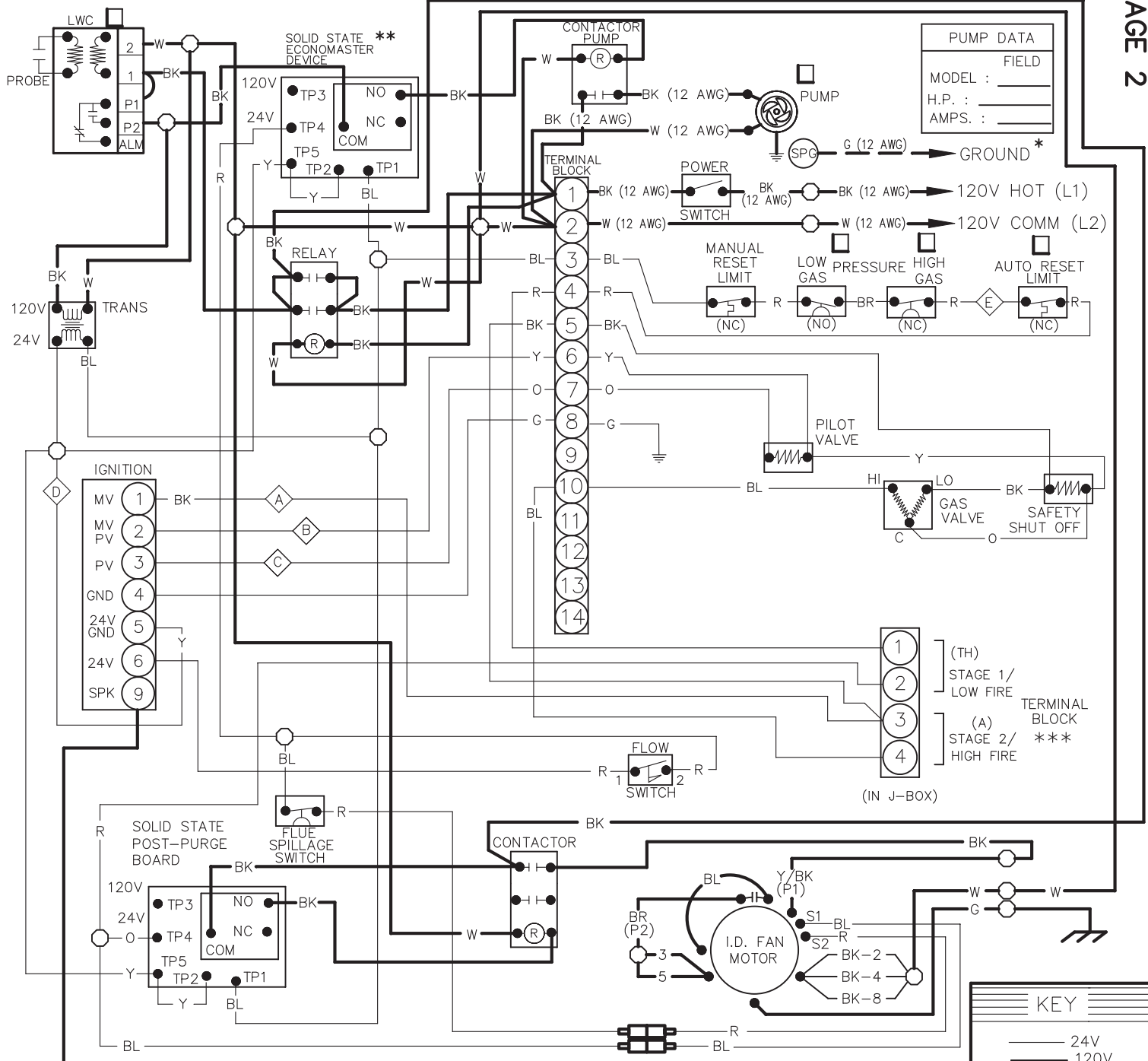
WIRING DIAGRAM IID ECONOMASTER FIRING MODE - 2 STAGE

BOILER INPUTS: 2,100,000 THRU 2,499,000 BTUH

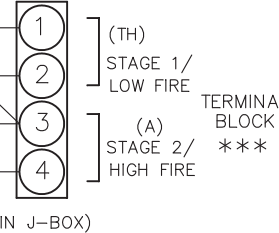
BOILER SIZE: **2100-2500** BOILER TYPE: **H3/W3/WH3**

KEY	
	24V
	120V
	120V FIELD WIRE
	WIRE NUT
	SPG - GROUND
	BK - BLACK
	BR - BROWN
	R - RED
	O - ORANGE
	Y - YELLOW
	G - GREEN
	BL - BLUE
	V - VIOLET
	W - WHITE





PUMP DATA	
MODEL :	FIELD
H.P. :	
AMPS. :	



NOTES: * USE GROUND CONNECTION PROVIDED. FAILURE TO PROVIDE PROPER GROUND MAY RESULT IN LOCK-OUT. ALL GROUND \perp TERMINATE AT SPG .

** PUMP DELAY AJUSTABLE BETWEEN 3 AND 10 MINUTES.
 *** FOR TWO STAGE OPERATION OR MULTIPLE BOILER SYSTEM, SEE INSTALLATION AND OPERATING INSTRUCTION MANUAL.

\triangle - \diamond CONNECTIONS FOR OPTIONAL E-4 ALARM PANEL.
 CHECK CONTROLS PROVIDED (WIRED AS SHOWN) REPLACE WIRING WITH 105°C WIRE ONLY

WIRING DIAGRAM IID ECONO INDUCED DRAFT FIRING MODE - 2 STAGE

BOILER INPUTS: 2,100,000 THRU 2,499,000 BTUH

BOILER SIZE: **2100-2500**

BOILER TYPE: **H3/W3/WH3**

KEY

- 24V
- 120V
- - - 120V FIELD WIRE
- WIRE NUT
- MALE/FEMALE TERMINAL CONN
- SPG - GROUND
- BK - BLACK
- BR - BROWN
- R - RED
- O - ORANGE
- Y - YELLOW
- G - GREEN
- BL - BLUE
- V - VIOLET
- W - WHITE

CHECKED BY:
APPROVED BY:
ORIG E.O. 1947
7/18/84
CHG E.O. 5407
10/13/15

