



# SUBMITTAL COVER SHEET

PROJECT NAME \_\_\_\_\_  
 LOCATION \_\_\_\_\_  
 ARCHITECT \_\_\_\_\_  
 ENGINEER \_\_\_\_\_  
 CONTRACTOR \_\_\_\_\_  
 SUBMITTED BY \_\_\_\_\_ DATE \_\_\_\_\_

## UNIT SUMMARY

Quantity						
Unit Designation						
Model No.						
Total Cooling						
Sensible Cooling						
Air Ent. Evaporator						
Air Lvg. Evaporator						
Heating Input						
Heating Output						
CFM/ESP						
EER/SEER						
Electrical						
Minimum Ampacity						
Min.-Max. Breaker						
Net Unit Weight						
Accessory						
Catalog Form Number						

**ACCESSORIES:**

**NOTES:**

# SUBMITTAL SHEET FOR RGPN- 80% A.F.U.E. UPFLOW/HORIZONTAL GAS FURNACES

## Models with Input Rates from 50,000 to 150,000 BTU/HR [15 to 44 kW].

JOB NAME \_\_\_\_\_ MODEL NO. \_\_\_\_\_  
 CONTRACTOR \_\_\_\_\_ OUTDOOR UNIT MODEL NO. \_\_\_\_\_  
 ENGINEER \_\_\_\_\_ LOCATION \_\_\_\_\_  
 SUBMITTED FOR     APPROVAL     RECORD    ORDER NO. \_\_\_\_\_  
 DATE \_\_\_\_\_

### UNIT DATA

#### HEATING PERFORMANCE

TOTAL CAPACITY INPUT\* ..... \_\_\_\_\_ MBH [kW]  
 TOTAL CAPACITY OUTPUT\* .. \_\_\_\_\_ MBH [kW]  
 DESIGN TEMP. RISE ..... \_\_\_\_\_ °F [°C] DB  
 AFUE ..... \_\_\_\_\_ %  
 CALIFORNIA SEASONAL  
 EFFICIENCY ..... \_\_\_\_\_ %  
(\*uses blower motor heat)

#### SUPPLY AIR BLOWER PERFORMANCE

TOTAL AIR SUPPLY ..... \_\_\_\_\_ CFM [L/s]  
 TOTAL RESISTANCE EXTERNAL  
 TO UNIT ..... \_\_\_\_\_ IWG  
 BLOWER SPEED ..... \_\_\_\_\_ RPM  
 POWER OUTPUT REQUIREMENT .. \_\_\_\_\_ BHP  
 MOTOR RATING ..... \_\_\_\_\_ HP [W]  
 POWER INPUT REQUIREMENT ..... \_\_\_\_\_ kW

#### ELECTRICAL DATA

POWER SUPPLY ..... \_\_\_\_\_ Hz  
 TOTAL UNIT AMPACITY ..... \_\_\_\_\_ AMPS  
 MINIMUM WIRE SIZE ..... \_\_\_\_\_ AWG  
 MAXIMUM OVERCURRENT DEVICE  
 FUSES/HACR BREAKER ..... \_\_\_\_\_ AMPS

### FEATURES FOR RGPN-

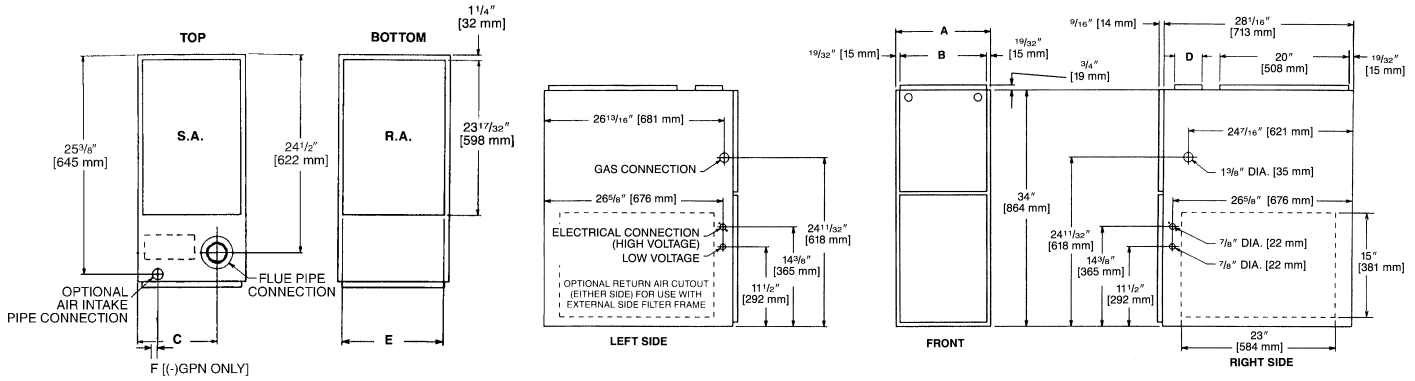
- Innovative combustion design results in reliable, efficient operation at sound levels which provide distinct competitive advantage.
- Patented Heat Exchanger, constructed of both stainless and aluminized steel for the maximum in corrosion resistance.
- Low profile "34 inch" design is lighter and easier to handle, and leaves room for optional equipment.
- Convertible from upflow to horizontal left or right field conversion.
- Left or right side gas and electric inlet connections with quick, simple change.
- Robust and reliable direct spark ignition utilizing remote sense and an integrated board with humidifier and electronic air cleaner hookups.
- Insulated blower compartment helps to reduce jacket loss and noise.
- Pre-paint galvanized steel cabinet.
- Molded permanent filter.
- Grab-holes in doors to aid in easy door removal and replacement.

### FIELD INSTALLED ACCESSORIES:

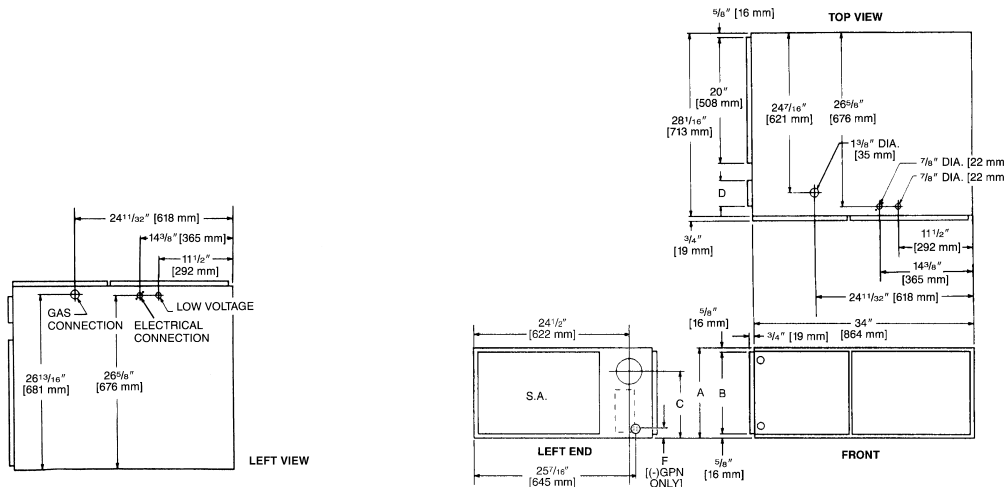
- Plenum Adapter (RXAA-).....   
 Fossil Fuel Kit: RXPF-F01 and F02 .....   
 External Bottom Filter Rack: RXGF-CB .....   
 External Side Return Filter Rack: RXGF-CA.....   
 Return Air Cabinets: RXGR-CB.....   
 Solid Bottom Kit: (RXGB-D14, 17, 21, 24) .....   
 High Altitude Kit: (RXGY-F13 for 2 stage models only) .....



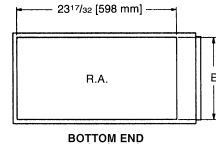
## UPFLOW MODELS



## HORIZONTAL MODELS



**WARNING**  
THIS FURNACE IS NOT APPROVED OR RECOMMENDED FOR INSTALLATION ON ITS BACK, WITH ACCESS DOORS FACING UPWARDS.



**ACCESSORY RETURN AIR CABINETS**  
Return Air Cabinets may be installed on either side application except RXGR-C24B (side application must be on side opposite gas and electrical connections).

## DIMENSIONS AND CLEARANCE TO COMBUSTIBLE MATERIAL (INCHES) [mm]

**SINGLE-STAGE MODELS:**

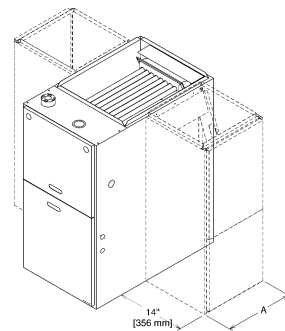
MODEL RGP-	A	B	C	D	E	F	REDUCED CLEARANCES (IN.) [mm]						
							LEFT SIDE	RIGHT SIDE	BACK	TOP	FRONT	VENT	SHIP. WGT. (LBS.) [kg]
05	14 [356]	12 27/32 [326]	10 5/8 [270]	Ⓛ	11 1/2 [292]	1 7/8 [48]	0	4 [102] Ⓛ	0	1 [25]	3 [76]	6 [152] Ⓛ	85 [38.6]
07	17 1/2 [445]	16 11/32 [415]	12 3/8 [314]	Ⓛ	15 [381]	2 1/2 [64]	0	3 [76] Ⓛ	0	1 [25]	3 [76]	6 [152] Ⓛ	105 [47.6]
10 (A)	17 1/2 [445]	16 11/32 [415]	12 3/8 [314]	Ⓛ	15 [381]	2 1/2 [64]	0	3 [76] Ⓛ	0	1 [25]	3 [76]	6 [152] Ⓛ	115 [52.2]
10 (B)	21 [533]	19 27/32 [504]	14 1/8 [359]	Ⓛ	18 1/2 [470]	2 1/2 [64]	0	0	0	1 [25]	3 [76]	6 [152] Ⓛ	120 [54.4]
12	24 1/2 [622]	23 11/32 [593]	15 7/8 [403]	Ⓛ	22 [559]	2 1/2 [64]	0	0	0	1 [25]	3 [76]	6 [152] Ⓛ	140 [63.5]
15	24 1/2 [622]	23 11/32 [593]	15 7/8 [403]	Ⓛ	22 [559]	2 1/2 [64]	0	0	0	1 [25]	3 [76]	6 [152] Ⓛ	150 [68]

NOTES: Ⓛ May require a 3" [76 mm] to 4" [102 mm] or 3" [76 mm] to 5" [127 mm] adapter.

Ⓛ May be 0" [0 mm] with type B vent.

Ⓛ May be 1" [25 mm] with type B vent.

Furnaces must be vented in accordance with ANSI Z21.47-1993 • CAN/CGA-2.3-M93 venting table guidelines included with each furnace, and in accordance with local codes.



**THE RXGR-C24B MAY ONLY BE INSTALLED ON THE SIDE OPPOSITE THE GAS AND ELECTRICAL CONNECTIONS.**

RETURN AIR CABINETS	A IN. [mm]	FILTER SIZE IN. [mm]
RXGR-C14B	14 [356]	(2) 12 x 16 [305 x 406]
RXGR-C17B	17 1/2 [445]	(2) 12 x 16 [305 x 406]
RXGR-C21B	21 [533]	(2) 20 x 16 [508 x 406]
RXGR-C24B	24 1/2 [622]	(2) 24 x 16 [610 x 406]

[ ] Designates Metric Conversions

**Before proceeding with installation, refer to installation instructions packaged with each model, as well as complying with all Federal, State, Provincial, and Local codes, regulations, and practices.**

Rheem Sales Company, Inc.  
P.O. Box 17010, Fort Smith, AR 72917

"In keeping with its policy of continuous progress and product improvement, Rheem reserves the right to make changes without notice."