

# GAS FURNACES



## **SUPER QUIET 80 TWO STAGE UPFLOW/HORIZONTAL GAS FURNACES**

The Rheem *Prestige Series*® *Super Quiet 80* Two Stage line of upflow/horizontal gas furnaces are designed for utility rooms, closets, alcoves, or attics. **Because of the Prestige's low-profile 34 inch [864 mm] height, the upflow model installed vertically can also be used to satisfy most applications that traditionally call for a horizontal furnace.**

The design is certified by CSA International.

### **Features**

- Patented Heat Exchanger, constructed of both stainless and aluminized steel for the maximum in corrosion resistance.
  - Low profile "34 inch" [864 mm] design is lighter and easier to handle, and leaves room for optional equipment.
  - Energy efficient and quiet ECM 2+ motor.
  - Improves cooling efficiency when matched with rated condensing unit and coil.
  - Constant CFM.
  - Dip switch settings for selectable cooling airflow.
  - On-demand dehumidification terminal for improved comfort in cooling mode.
  - Convertible from upflow to horizontal left or right.
  - Left or right side gas and electric inlet connections.
  - All models equipped with flame sensor feature, an integrated board with humidifier and electronic air cleaner hookups.
  - Insulated blower compartment, a slow-open gas valve, a specially designed draft inducer motor and blower motor make it one of the quietest furnaces on the market today.
  - Pre-paint galvanized steel cabinet.
  - Molded permanent filter.
  - Easy door removal and replacement.
  - Compatible with single or two-stage thermostat. (For optimal performance, two-stage thermostat recommended.)
- A variety of cooling coils and plenums designed to use with Rheem *Prestige Series*® *Super Quiet 80* Two Stage gas furnaces are available as optional accessories.

†A.F.U.E. (Annual Fuel Utilization Efficiency) calculated in accordance with Department of Energy test procedures.

**RGPR- SERIES**  
**ECM Equipped**  
**Models with Input Rates from**  
**50,000 to 125,000 BTU/HR**  
**115 Volts, 60 Hz, Single Phase**  
**[15 to 37 kW]**  
**(U.S. & Canadian Models)**

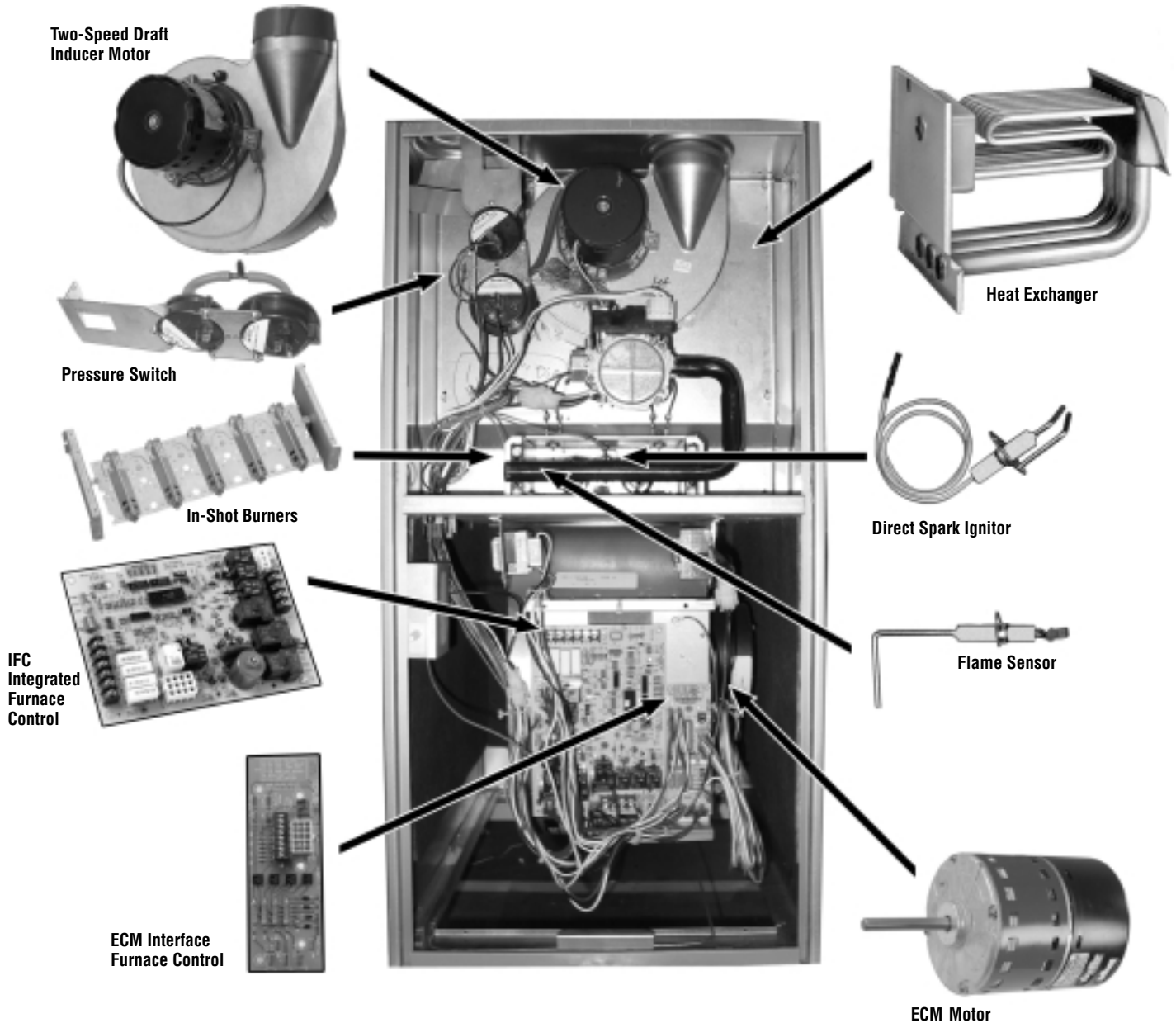


ENERGUIDE			
Annual Fuel Utilization Efficiency - AFUE			
THIS MODEL [80-021]			
MID		HIGH	
78%	82%	88%	97%





# RHEEM *PRESTIGE SERIES SUPER QUIET 80* TWO STAGE UPFLOW/HORIZONTAL GAS FURNACE



## STANDARD EQUIPMENT

Completely assembled and wired; 2 speed draft inducer; high and low pressure switches; redundant 2 stage main gas control; blower compartment door safety switch; solid state time on/time off blower control; limit control; transformer; ECM blower motor. Furnaces are equipped with cooling/heating relay and transformer (40VA) ready for air conditioning applications. (Please note: a thermostat is not included as standard equipment.) Flame sensor diagnostics; fused protection (secondary).

The complete terms of limited and other warranties are available at our sales office, or through local installer.

All models can be converted by a qualified HVAC professional or local service dealer to use L.P. (propane) gas without changing burners. Factory approved kits must be used to convert from natural to L.P. (propane) gas and may be ordered as optional accessories from a Rheem parts distributor.

For L.P. (propane) operation, refer to Conversion Kit Index Form.

**WARNING**  
THIS FURNACE IS NOT APPROVED  
OR RECOMMENDED  
FOR USE IN MOBILE HOMES

BEFORE PURCHASING THIS APPLIANCE, READ IMPORTANT ENERGY COST AND EFFICIENCY INFORMATION AVAILABLE FROM YOUR RETAILER.

# PHYSICAL DATA AND SPECIFICATIONS (UPFLOW) U.S. AND CANADA MODELS

MODEL NUMBERS RGPR- SERIES	05EBMKR 05NBMKR	07EAMKR 07NAMKR	07EBRQR 07NBRQR	10EBRMR 10NBRMR	12EARMR 12NARMR
100% High Input–BTU/Hr [kW] ②	50,000 [15]	75,000 [22]	75,000 [22]	100,000 [29]	125,000 [37]
High Heating Capacity–BTU/Hr [kW] ①	40,000 [12]	60,000 [18]	60,000 [18]	80,000 [23]	100,000 [29]
70% Low Input–BTU/Hr [kW]	35,000 [10]	52,500 [15]	52,500 [15]	70,000 [20]	87,500 [25]
Low Heating Capacity–BTU/Hr [kW]	28,000 [8]	42,000 [12]	42,000 [12]	56,000 [16]	70,000 [20]
Heating–Ext. Static Pressure [kPa]	.10 [.025]	.15 [.037]	.15 [.037]	.20 [.05]	.20 [.05]
Blower (D x W) [mm]	11 x 7 [279 x 178]	11 x 7 [279 x 178]	11 x 10 [279 x 254]	11 x 10 [279 x 254]	11 x 10 [279 x 254]
ECM Motor H.P. [W]	3/4 [559]	1/2 [373]	3/4 [559]	1 [746]	1 [746]
Motor Full Load Amps.	9.6	7.7	9.6	12.8	12.8
Unit Amps	8.7	8.7	12.0	12.0	12.0
Maximum Overcurrent Protection	15	15	15	15	15
Heating Speed CFM–High Fire [L/s]	850 [401]	1176 [555]	1305 [616]	1600 [753]	1832 [865]
Heating Speed CFM–Low Fire [L/s]	625 [295]	980 [462]	1125 [533]	1300 [615]	1420 [670]
Cooling CFM @ .5" [kPa] E.S.P. (Nominal) [L/s]	1200 [566]	1200 [566]	1600 [755]	2000 [944]	2000 [944]
Max. E.S.P. (In. W.C.) [kPa]	0.8 [.2]	0.8 [.2]	0.8 [.2]	0.8 [.2]	0.8 [.2]
Temperature Rise Range °F [°C]	High Input	25-55 [13.9-30.6]	30-60 [17-33]	25-55 [13.9-30.6]	30-60 [17-33]
	Low Input	20-50 [11.1-27.8]	20-50 [11.1-27.8]	20-50 [11.1-27.8]	25-55 [13.9-30.6]
Max. Outlet Air Temp. °F [°C]	155 [68.3]	165 [73.8]	165 [73.8]	170 [76.6]	180 [82.2]
Standard Filter Size–Inches [mm]	15 <sup>3</sup> / <sub>4</sub> x 25 [400 x 635]	15 <sup>3</sup> / <sub>4</sub> x 25 [400 x 635]	19 <sup>1</sup> / <sub>4</sub> x 25 [489 x 635]	19 <sup>1</sup> / <sub>4</sub> x 25 [489 x 635]	22 <sup>3</sup> / <sub>4</sub> x 25 [578 x 635]
Approx. Shipping Weight (Lbs.) [kg]	110 [50]	115 [52]	115 [52]	120 [54]	140 [63]
Return Air Cabinets (Opt.) RXGR- Filter Size [mm]	C17B (2) 12 x 16 [305 x 406]	C17B (2) 12 x 16 [305 x 406]	C21B (2) 20 x 16 [508 x 406]	C21B (2) 20 x 16 [508 x 406]	C24B (2) 24 x 16 [610 x 406]
AFUE ①	80%	80%	80%	80%	80%

① In accordance with D.O.E. test procedures.

② See Conversion Kit Index Form for high altitude derate.

## GENERAL TERMS OF LIMITED WARRANTY

Rheem will furnish a replacement for any part of this product which fails in normal use and service within the applicable period stated, in accordance with the terms of the limited warranty.

For Complete Details of the Limited Warranty, Including Applicable Terms and Conditions, See Your Local Installer or Contact the Manufacturer for a Copy.

Gas Heat Exchanger Limited Warranty .....Twenty (20) Years  
\*Any Other Part.....Five (5) Years

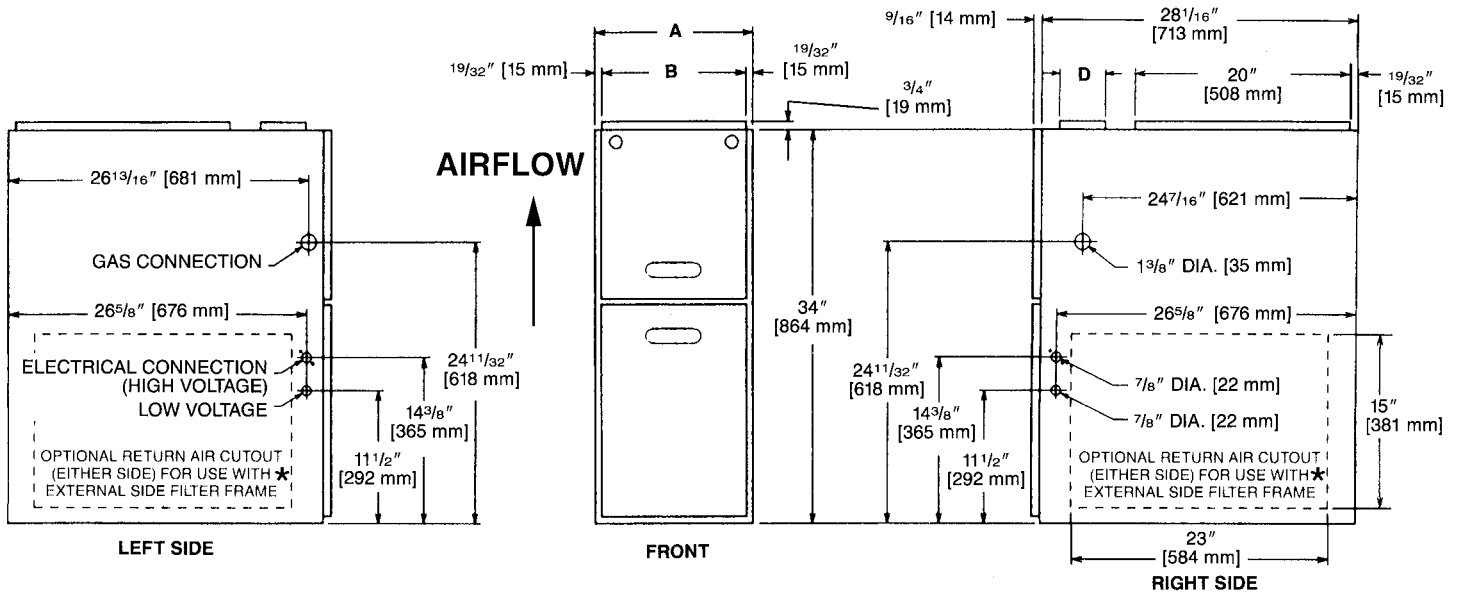
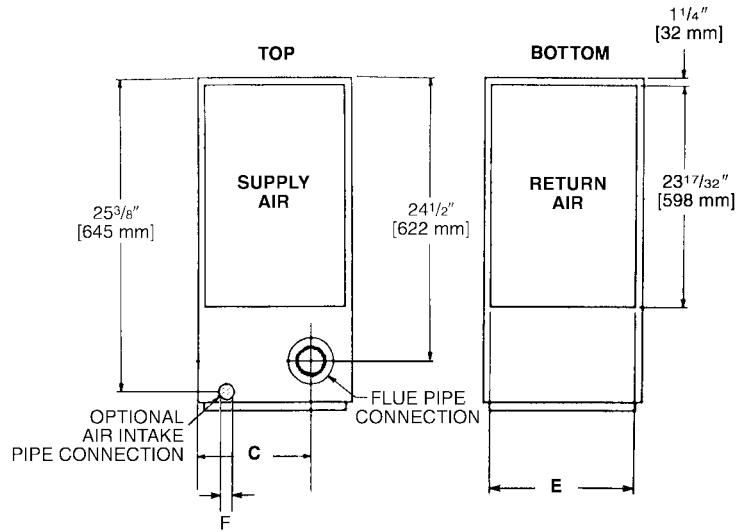
\*This five year limited warranty is applicable only to single-phase products installed in residential applications on or after January 1, 2001.

## MODEL IDENTIFICATION—UPFLOW MODELS

<u>R</u>	<u>G</u>	<u>P</u>	<u>R</u>	<u>07E</u>	<u>A</u>	<u>M</u>	<u>K</u>	<u>R</u>	<u>278</u>
Rheem	Gas	Upflow/ Furnace	Design Horizontal Series	Heating Input Designation Electric NO <sub>x</sub> Input Ignition Model BTU/HR	Variations A = Std. Cabinet B = Wide Cabinet	Blower Designation M = 11 x 7 [279 x 178 mm] R = 11 x 10 [279 x 254 mm]	Heating & Cooling Designation K = 600-1200 CFM [283-566 L/s] M = 1200-2000 CFM [566-944 L/s] Q = 1000-1600 CFM [566-944 L/s]	Fuel Type R = Natural Gas, U.S. and Canadian Standard Furnace	Option Code for High Altitude, (available on certain models)
				05E 05N 50,000 [15 kW] 07E 07N 75,000 [22 kW] 10E 10N 100,000 [29 kW] 12E 12N 125,000 [37 kW]					

[ ] Designates Metric Conversions

# UPFLOW DIMENSIONS



\*Both sides for 1800 CFM & above

## UPFLOW DIMENSIONS AND CLEARANCE TO COMBUSTIBLE MATERIAL (INCHES) [mm]

MODEL RGPR-	A	B	C	D	E	F	REDUCED CLEARANCES (IN.) [mm]						
							LEFT SIDE	RIGHT SIDE	BACK	TOP	FRONT	VENT	SHIP. WGTS. (LBS.) [Kg]
05, 07A	17 1/2 [445]	16 11/32 [415]	12 3/8 [314]	①	15 [381]	2 1/2 [64]	0	3 [76] ②	0	1 [25]	3 [76]	6 [152] ③	105 [47.6]
07B, 10	21 [533]	19 27/32 [504]	14 1/8 [359]	①	18 1/2 [470]	2 1/2 [64]	0	0	0	1 [25]	3 [76]	6 [152] ③	120 [54.4]
12	24 1/2 [622]	23 11/32 [593]	15 7/8 [403]	①	22 [559]	2 1/2 [64]	0	0	0	1 [25]	3 [76]	6 [152] ③	140 [63.5]

NOTES: ① May require a 3" [76 mm] to 4" [102 mm] or 3" [76 mm] to 5" [127 mm] adapter.

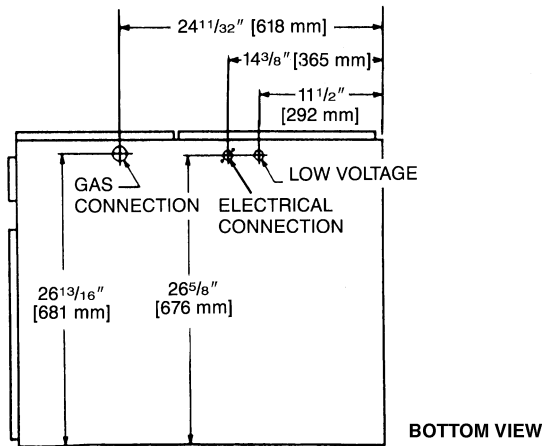
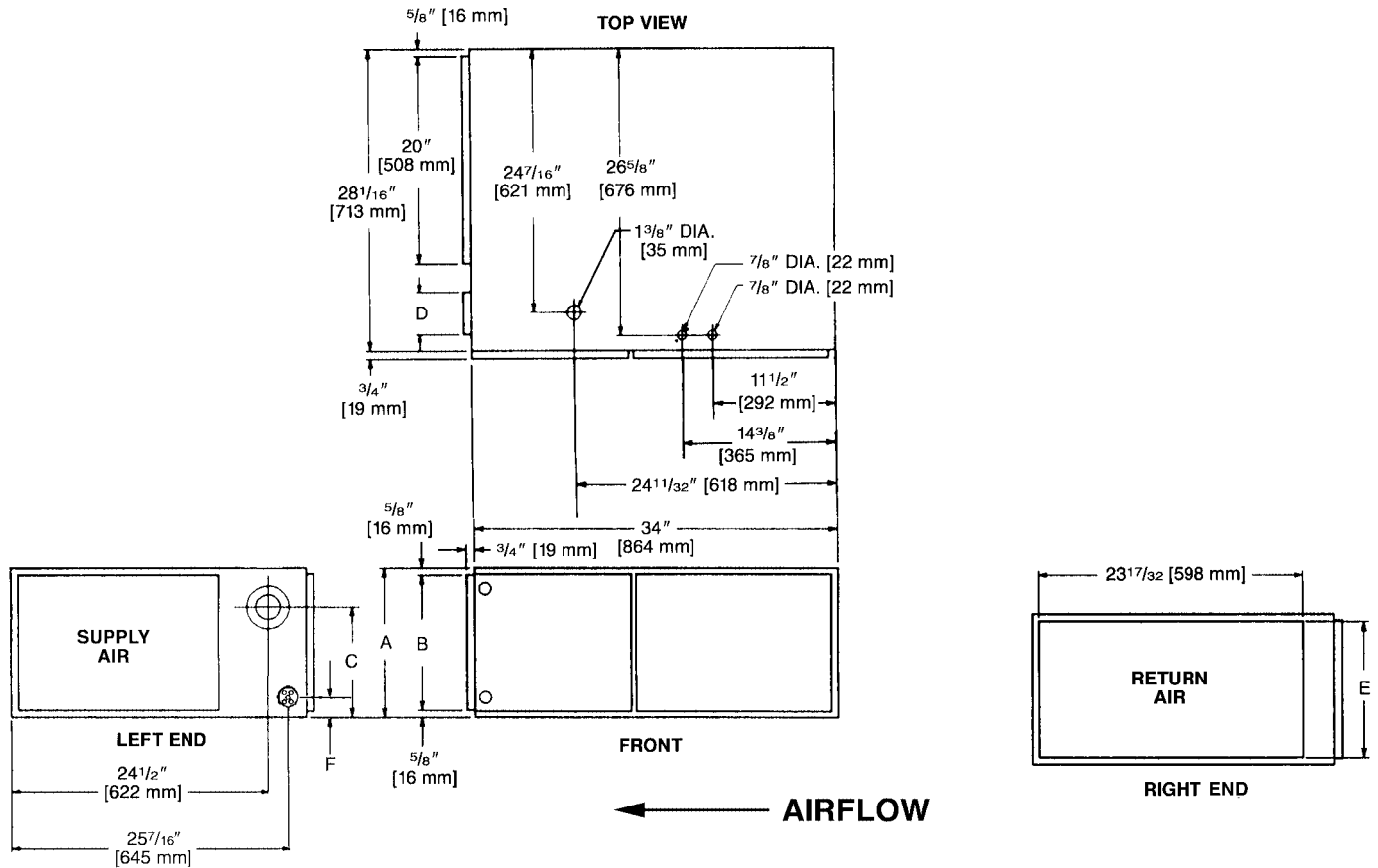
② May be 0" [0 mm] with type B vent.

③ May be 1" [25 mm] with type B vent.

Furnaces must be vented in accordance with the National Fuel Gas Code, ANSI Z223.1 and/or Can/CGA-B149 Installation Codes and in accordance with local codes.

[ ] Designates Metric Conversions

# HORIZONTAL DIMENSIONS



**WARNING**  
 THIS FURNACE IS NOT APPROVED OR RECOMMENDED FOR INSTALLATION ON ITS BACK, WITH ACCESS DOORS FACING UPWARDS.

**NOTE:** In horizontal configuration, return air cutout is not permitted.

## HORIZONTAL DIMENSIONS AND CLEARANCE TO COMBUSTIBLE MATERIAL (INCHES) [mm]

MODEL RGPR-	A	B	C	D	E	F	REDUCED CLEARANCES (IN.) [mm]						
							LEFT SIDE	RIGHT SIDE	BACK	TOP	FRONT	VENT	SHIP. WGTS. (LBS.) [Kg]
05, 07A	17 $1/2$ [445]	16 $11/32$ [415]	12 $3/8$ [314]	①	15 [381]	2 $1/2$ [64]	0	3 [76] ②	0	1 [25]	3 [76]	6 [152] ③	110 [49.9]
07B, 10	21 [533]	19 $27/32$ [504]	14 $1/8$ [359]	①	18 $1/2$ [470]	2 $1/2$ [64]	0	0	0	1 [25]	3 [76]	6 [152] ③	120 [54.4]
12	24 $1/2$ [622]	23 $17/32$ [593]	15 $7/8$ [403]	①	22 [559]	2 $1/2$ [64]	0	0	0	1 [25]	3 [76]	6 [152] ③	140 [63.5]

NOTES: ① May require a 3" [76 mm] to 4" [102 mm] or 3" [76 mm] to 5" [127 mm] adapter.

② May be 0" [0 mm] with type B vent.

③ May be 1" [25 mm] with type B vent.

Furnaces must be vented in accordance with the National Fuel Gas Code, ANSI Z223.1 and/or Can/CGA-B149 Installation Codes and in accordance with local codes.

[ ] Designates Metric Conversions

# BLOWER PERFORMANCE DATA—UPFLOW/HORIZONTAL MODELS

MODEL RGPR-	BLOWER SIZE (D X W) INCHES [mm]	ECM MOTOR H.P. [W]	BLOWER SPEED	CFM [L/s] AIR DELIVERY EXTERNAL STATIC PRESSURE INCHES WATER COLUMN [kPa]
				.1 [.025]–.8 [.2]
05	11 x 7 [279 x 178]	3/4 [559]	HIGH MED-HI MED LOW	1200 [566] 1000 [472] 800 [378] 600 [283]
07A	11 x 7 [279 x 178]	1/2 [373]	HIGH MED-HI MED LOW	1200 [566] 1000 [472] 800 [378] 600 [283]
07B	11 x 10 [279 x 254]	3/4 [559]	HIGH MED-HI MED LOW	1600 [755] 1400 [661] 1200 [566] 1000 [472]
10, 12	11 x 10 [279 x 254]	1 [746]	HIGH MED-HI MED LOW	2000 [944] 1600 [755] 1400 [661] 1200 [566]

**Note:** See Coil Specification Sheet for coil data.

[ ] Designates Metric Conversions

# ACCESSORIES—UPFLOW

## INTERNAL FILTER RACK FOR BOTTOM OR SIDE RETURN: RXGF-DA\*

\*Filters available through PROSTOCK®.

## SIDE RETURN FILTER RACK: RXGF-CA

## BOTTOM RETURN FILTER RACK FOR UPFLOW APPLICATION: RXGF-CB

FILTER RACK FILTER SIZES† INCHES [mm]	
MODEL RGPR-	RXGF-CA (SIDE)
05, 07*AMK	15 <sup>3</sup> / <sub>4</sub> x 25 [400 x 635]
07*BRQ, 10	15 <sup>3</sup> / <sub>4</sub> x 25 [400 x 635]
12	15 <sup>3</sup> / <sub>4</sub> x 25 [400 x 635]

†Filter racks are shipped without filters.

Filters shipped with furnace may be used or a suitable 1" [25.4 mm] filter.

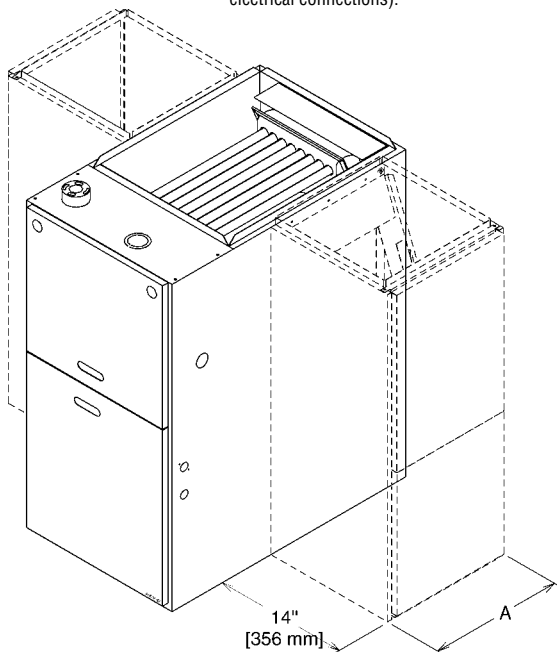
\*Designates "E" or "N".

## RXPF-F01 and F02

**FOSSIL FUEL KIT**—is for use with Rheem Heat Pumps and Super Quiet 80 warm air furnaces. RXPF-F02 also meets TVA requirements.

### ACCESSORY RETURN AIR CABINETS

Return Air Cabinets may be installed on either side application except RXGR-C24B (side application must be on side opposite gas and electrical connections).



**THE RXGR-C24B MUST ONLY BE INSTALLED ON THE SIDE OPPOSITE THE GAS AND ELECTRICAL CONNECTIONS.**

RETURN AIR CABINETS	A IN. [mm]	FILTER SIZE IN. [mm]
RXGR-C17B	17 <sup>1</sup> / <sub>2</sub> [445]	(2) 12 x 16 [305 x 406]
RXGR-C21B	21 [533]	(2) 20 x 16 [508 x 406]
RXGR-C24B	24 <sup>1</sup> / <sub>2</sub> [622]	(2) 24 x 16 [610 x 406]

### WARNING: IMPORTANT NOTICE

A SOLID METAL BASE PLATE (SEE TABLE) MUST BE IN PLACE WHEN THE FURNACE IS INSTALLED WITH SIDE AIR RETURN DUCTS. FAILURE TO INSTALL A BASE PLATE COULD CAUSE PRODUCTS OF COMBUSTION TO BE CIRCULATED INTO THE LIVING SPACE AND CREATE POTENTIALLY HAZARDOUS CONDITIONS.

FURNACE WIDTH IN. [mm]	SOLID BOTTOM KIT NO.	BASE PLATE NO.	BASE PLATE SIZE IN. [mm]
17 <sup>1</sup> / <sub>2</sub> [445]	RXGB-D17	AE-61874-02	15 <sup>1</sup> / <sub>8</sub> x 23 <sup>9</sup> / <sub>16</sub> [384 x 598]
21 [533]	RXGB-D21	AE-61874-03	18 <sup>9</sup> / <sub>8</sub> x 23 <sup>9</sup> / <sub>16</sub> [473 x 598]
24 <sup>1</sup> / <sub>2</sub> [622]	RXGB-D24	AE-61874-04	25 <sup>5</sup> / <sub>8</sub> x 23 <sup>9</sup> / <sub>16</sub> [651 x 598]

## RXGW-B01 CHIMNEY ADAPTER

See Installation Instructions for application limitations.

## FOR HIGH ALTITUDES:

**HIGH ALTITUDE OPTION CODE:** U.S. & Canada – 278

**HIGH ALTITUDE KIT:** RXGY-F13 (for all models)

**NOTE:** High altitude kits and options do **NOT** include additional burner orifices. If a burner orifice change is necessary, they must be ordered through PROSTOCK®. See Installation instructions for more information.

Option — 278 furnaces are shipped with #51 DMS orifices installed. This is one drill size smaller than standard furnaces to account for expected average elevations and heating values typically seen in these areas.

**CAUTION:** Always follow National Fuel Gas Code (NFPA) guidelines when converting furnaces for high altitudes.

For all installations above 2000 ft. (including all option — 278 models), the burner orifice size needs to be recalculated and verified. A burner orifice change may still be required. See Installation Instructions for more information.

**NOTE:** For Canadian installations only, an optional derate (manifold gas pressure reduction) method may be used to adjust the furnace for altitude. See Installation Instructions for more information. This optional method may **NOT** be used for U.S. installations.

(U.S. Models—Kit packaged with furnace. Requires field installation).

[ ] Designates Metric Conversions

**Before proceeding with installation, refer to installation instructions packaged with each model, as well as complying with all Federal, State, Provincial, and Local codes, regulations, and practices.**

**RHEEM  
AIR CONDITIONING  
DIVISION**

5600 Old Greenwood Road, Fort Smith, Arkansas 72908



*"In keeping with its policy of continuous progress and product improvement, Rheem reserves the right to make changes without notice."*