

**POOL**  
**MODEL: 130A**

CATALOG NO. 9100.21  
Effective: 10-15-17  
Replaces: 09-01-16

## RAYPAK ILLUSTRATED PARTS LIST

**MODEL SIZE: 130A**

**MODEL TYPE: POOL/SPA HEATER**

DATES OF MANUFACTURE: 130 10-03-05 THRU 04-15-13

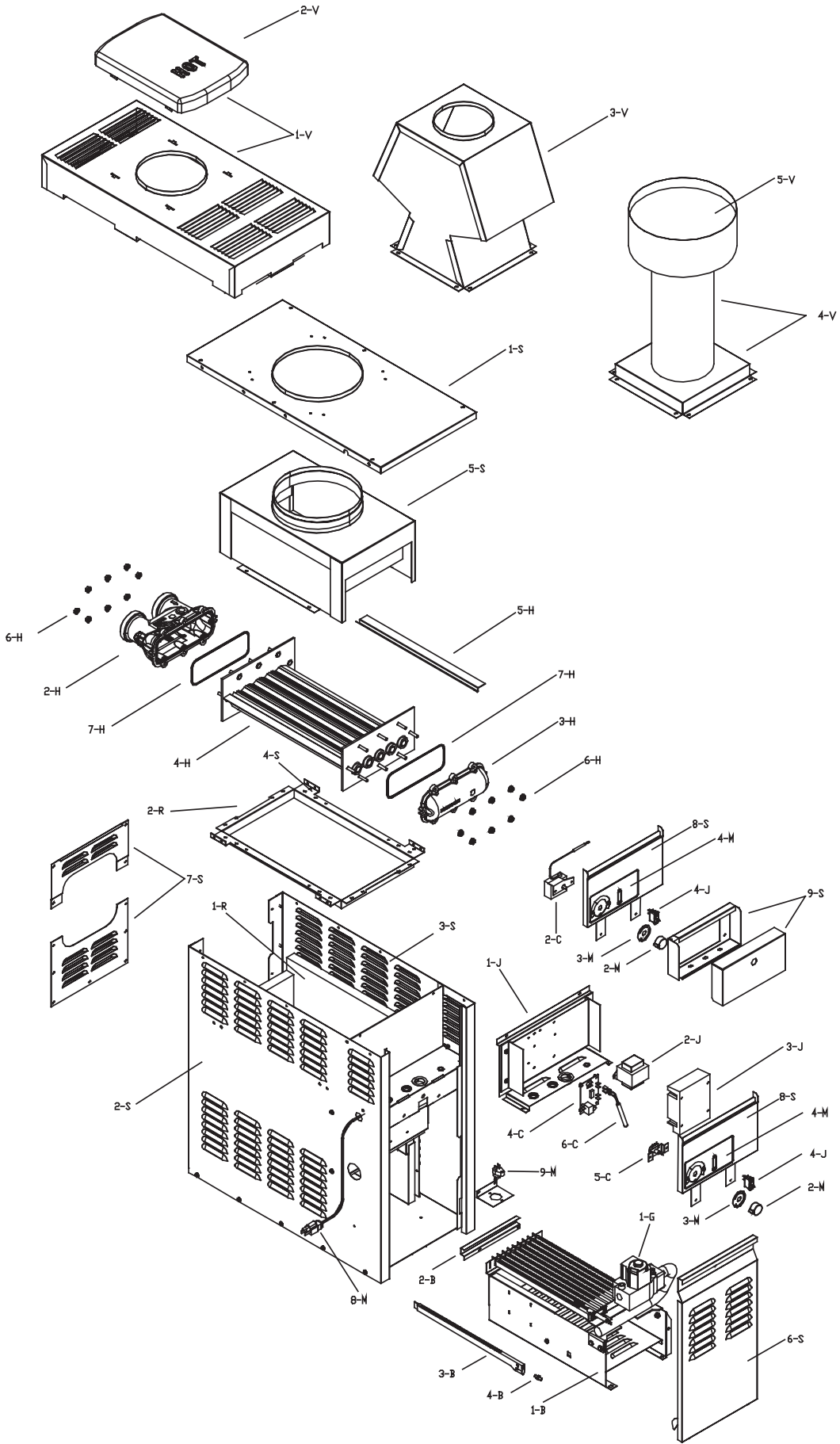
THE PARTS LISTED ARE FOR STANDARD EQUIPMENT FOR THIS MODEL TYPE. RAYPAK RESERVES THE RIGHT TO SUBSTITUTE, DELETE OR CHANGE ANY PART WITHOUT NOTIFICATION. THE ADDITION OF OPTIONS MAY ALSO CHANGE SOME OF THE PARTS. ORDER REPLACEMENT PARTS FROM ACTUAL HEATER COMPONENTS.

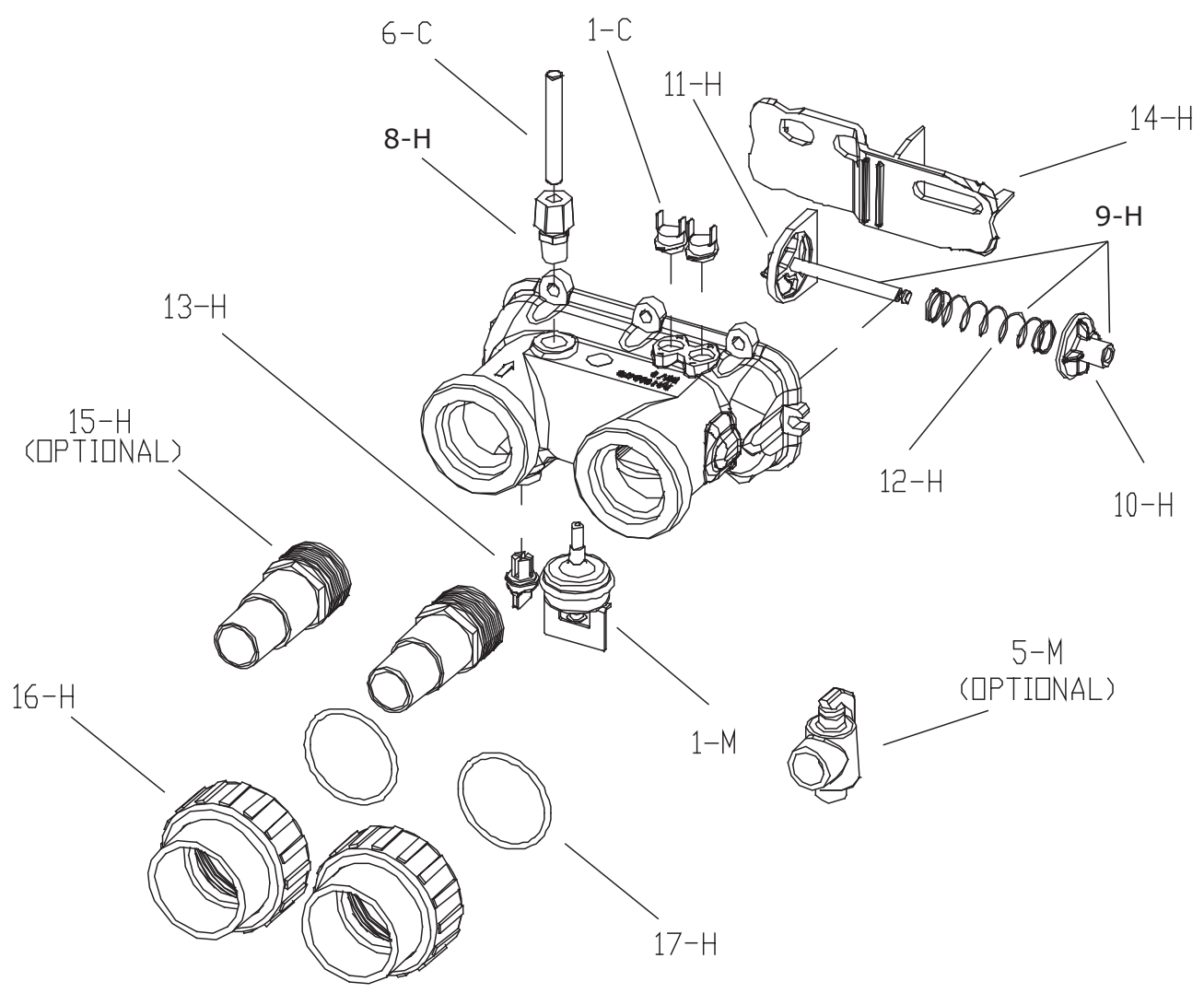


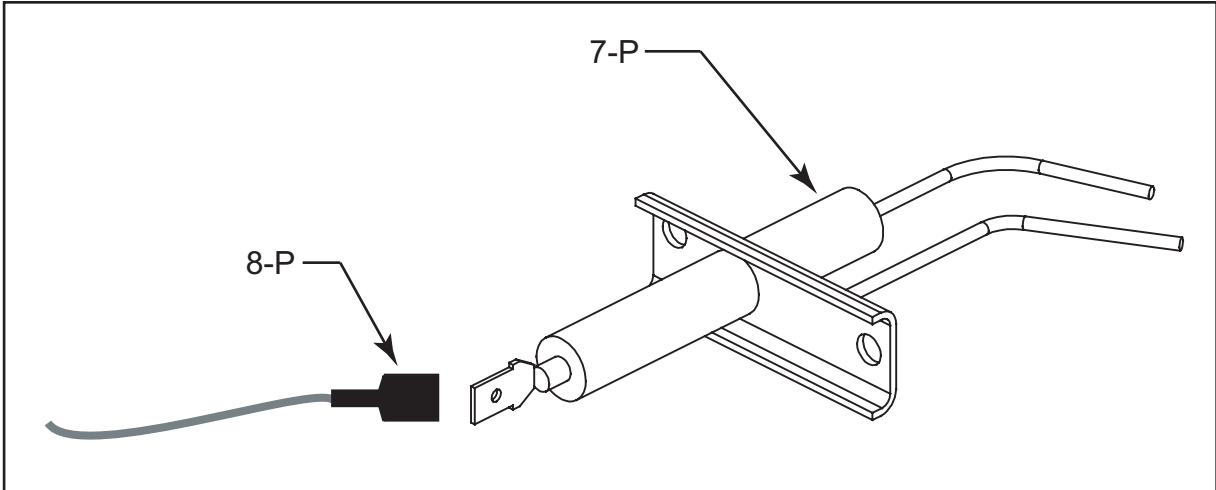
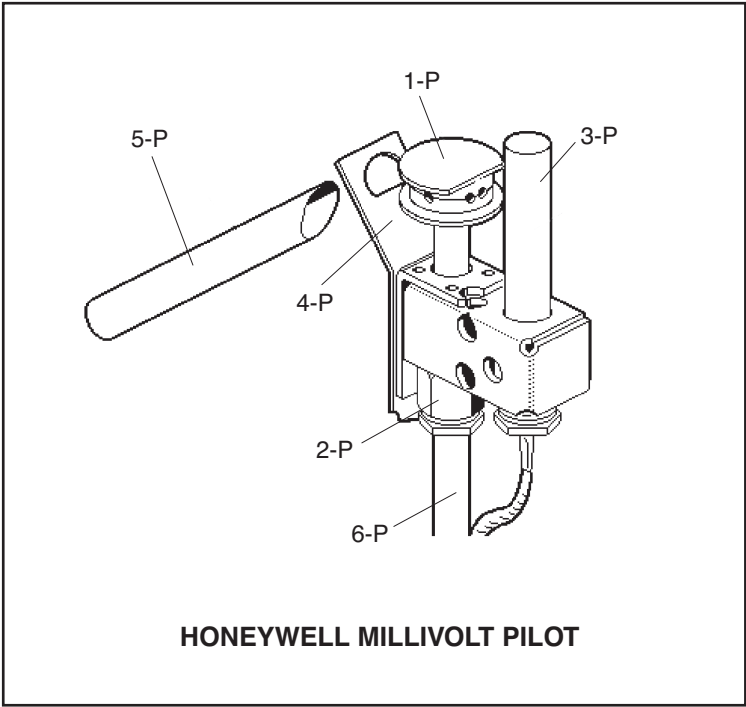
FOR DETAILED INSTRUCTIONS, SEE "HOW TO USE YOUR RAYPAK ILLUSTRATED PARTS LIST",  
CATALOG NO. 9001.10



Raypak, Inc., 2151 Eastman Avenue, Oxnard, CA 93030  
(805) 278-5300 Fax (800) 872-9725  
Litho In U.S.A.  
P/N 241274







CALL OUT	DESCRIPTION	Plastic Green	Plastic Cool Dark Gray
<b>B</b>	<b>BURNER TRAY</b>		
1-B	Burner Tray w/Burners (Sea Level)* Burner Tray w/o Burners (Sea Level)* Burner Tray w/Gas Valve & Pilot Natural MV Burner Tray w/Gas Valve & Pilot Propane MV Burner Tray w/Gas Valve & Pilot Natural DSI Burner Tray w/Gas Valve & Pilot Propane DSI	011578F 011579F 011580F 011581F 011582F 011583F	011578F 011579F 011580F 011581F 011582F 011583F
2-B	Burner Hold Down Kit	011584F	011584F
3-B	Burner	301210/10	301210/10
4-B	Burner Orifice Nat. #51 (Sea Level)* Burner Orifice Pro. #59 (Sea Level)*	350080F/10 350350F/10	350080F/10 350350F/10
<b>C</b>	<b>CONTROLS</b>		
1-C	Thermostat Auto Reset 135° Surface Mount	006725F	006725F
2-C	Thermostat Control MV (Mechanical)	003346F	003346F
3-C	Thermostat Control DSI (Solid State)	011585F	011585F
4-C	PC Board	005086B	005086B
5-C	Potentiometer	011586F	011586F
6-C	Temperature Sensor	011587F	011587F
<b>G</b>	<b>GAS VALVE</b>		
1-G	Combination Valve Nat. MV Combination Valve Pro. MV Combination Valve Nat. DSI Combination Valve Pro. DSI	011588F 011589F 011590F 011591F	011588F 011589F 011590F 011591F
<b>H</b>	<b>HEAT EXCHANGER</b>		
1-H	Heat Exchange Assy Copper Heat Exchange Assy Cupro Nickel	011592F 011593F	011592F 011593F
2-H	Inlet/Outlet Header Complete Inlet/Outlet Header (Includes 6-H)	011594F 011595F	011594F 011595F
3-H	Return Header (Includes 6-H)	011596F	011596F
4-H	Tube Bundle Copper ** Tube Bundle Cupro Nickel **	011597F 011598F	011597F 011598F
5-H	Baffle	011599F	011599F
6-H	Flange Nut Kit	008259F	008259F
7-H	O Ring Gasket (2)	011600F	011600F
8-H	Sensor Adapter DSI Sensor Well Millivolt	006714F 006805F	006714F 006805F
9-H	Bypass Kit	011601F	011601F
10-H	Bypass Valve	006716F	006716F
11-H	Bypass Dam / Shaft	006717F	006717F
12-H	Bypass Spring	011602F	011602F
13-H	Drain Plug	006721F	006721F
14-H	Inlet/Outlet Header Dam	011603F	011603F
15-H	Hose Adapter 1-1/2" MPT x 1-1/2" Hose (Optional)	011635	011635
16-H	2" CPVC Connector & Nut (2)	006723F	006723F
17-H	O Ring (2)	006724F	006724F
<b>J</b>	<b>CONTROL BOX</b>		
1-J	Control Box DSI (Includes 3-C)	011604F	011604F
2-J	Transformer 120/240/24V	011605F	011605F
3-J	Ignition Control Direct Spark	011606F	011606F
4-J	Rocker Switch	009493F	009493F

\*FOR ALTITUDES ABOVE 2,000 FEET ABOVE SEA LEVEL, CONSULT THE FACTORY.

\*\* **WARNING:** The Hydraulic conditions or water chemistry that caused the tube bundle to fail have very likely also damaged the bypass valve. We recommend you inspect the bypass assembly. Failure to do so could cause premature failure of this replacement part.

<b>CALL OUT</b>	<b>DESCRIPTION</b>	<b>Plastic Green</b>	<b>Plastic Cool Dark Gray</b>
<b>M</b>	<b>MISCELLANEOUS COMPONENTS</b>		
1-M	Pressure Switch 1.75 PSI	006737F	006737F
	Pressure Switch 11 PSI Special-See Adj in Service Manual	009133F	009133F
2-M	Thermostat Knob	009499F	009499F
3-M	Knob Stop	006886F	006886F
4-M	Dial Plate	901768	901768
5-M	PRV 125 PSI (Optional)	008091F	008091F
6-M	Delimiting Kit (not shown)	052871F	052871F
7-M	Wire Harness MV (not shown)	011607F	011607F
	Wire Harness DSI (not shown)	011608F	011608F
8-M	Line Cord	011609F	011609F
9-M	Roll-Out Safety Switch	005899F	005899F
10-M	Touch-up Paint		
	Green	750125	
	Dark Gray Units Built Before 8/22/11		750126
	Cool Dark Gray Units Built From 8/22/11		750256
<b>P</b>	<b>PILOT</b>		
1-P	Pilot Nat. MV	600525B	600525B
	Pilot Pro. MV	600575B	600575B
2-P	Pilot Orifice Nat. MV	003901F	003901F
	Pilot Orifice Pro. MV	003902F	003902F
3-P	Pilot Generator MV	600019B	600019B
4-P	Pilot Mounting Bracket MV	011610F	011610F
5-P	Lighter Tube MV	052797	052797
6-P	Pilot Tube MV	004078F	004078F
7-P	Ignitor DSI	011611F	011611F
8-P	Hi Tension Wire DSI	011612F	011612F
<b>R</b>	<b>REFRACTORY</b>		
1-R	Refractory Kit	011613F	011613F
2-R	Refractory Retainer Kit	011614F	011614F
<b>S</b>	<b>SHEETMETAL</b>		
1-S	Jacket Top	011615F	011616F
2-S	Jacket Left	011617F	011618F
3-S	Jacket Right	011619F	011620F
4-S	Jacket Rear	011621F	011622F
5-S	Flue Collector	011623F	011623F
6-S	Door Assy.	011624F	011625F
7-S	Access Panels	011626F	011627F
8-S	Control Panel	011628F	011628F
9-S	Poolstat Control Cover	006492	006492
<b>V</b>	<b>VENTING</b>		
1-V	Stackless Top (Outdoor)	011630F	011631F
2-V	"Pagoda" Top	010334	011632
3-V	Drafthood (Indoor)	003723	003723
4-V	Outdoor Stack w/Adapter (Outdoor)	004301	011558
5-V	Outdoor Stack	N/A	N/A

<b>CONVERSION KITS**</b>	
<b>GAS CONVERSIONS</b>	
Natural to Propane MV	011633F
Propane to Natural MV	011634F
Natural to Propane DSI	N/A
Propane to Natural DSI	N/A

**\*\* Gas Conversions are to be done only by a qualified agency.**





Registered Quality Management System

**[www.raypak.com](http://www.raypak.com)**