



# SUBMITTAL COVER SHEET

PROJECT NAME \_\_\_\_\_

LOCATION \_\_\_\_\_

ARCHITECT \_\_\_\_\_

ENGINEER \_\_\_\_\_

CONTRACTOR \_\_\_\_\_

SUBMITTED BY \_\_\_\_\_ DATE \_\_\_\_\_

## UNIT SUMMARY

Quantity						
Unit Designation						
Model No.						
Total Cooling						
Sensible Cooling						
Air Ent. Evaporator						
Air Lvg. Evaporator						
Heating Input						
Heating Output						
CFM/ESP						
EER/SEER						
Electrical						
Minimum Ampacity						
Min.-Max. Breaker						
Net Unit Weight						
Accessory						
Catalog Form Number						

**ACCESSORIES:**

**NOTES:**

# SUBMITTAL SHEET FOR (-)GGD- 90% PLUS A.F.U.E. MODULATING DOWNFLOW GAS FURNACES

## Models with Input Rates from 60,000 to 120,000 BTU/HR [17.58 to 35.16 kW]

JOB NAME \_\_\_\_\_ MODEL NO. \_\_\_\_\_  
 CONTRACTOR \_\_\_\_\_ OUTDOOR UNIT MODEL NO. \_\_\_\_\_  
 ENGINEER \_\_\_\_\_ LOCATION \_\_\_\_\_  
 SUBMITTED FOR  APPROVAL  RECORD ORDER NO. \_\_\_\_\_  
 DATE \_\_\_\_\_

### FEATURES FOR (-)GGD-

- Heat exchanger is constructed of all stainless steel for maximum corrosion resistance and thermal fatigue reliability.
- Modulating Function: when used with a modulating thermostat, modulation rate between 40% and 100% of total capacity.
- Two-stage Function: when used with a two-stage thermostat, furnace operates at 40% on low-fire, and stages up to 65%, then 100% for high fire.
- Multistage Function: when used with a single-stage thermostat, furnace operates at 40%, 65% and 100% of total capacity.
- Reduced firing rates, electrically efficient ECM motor, and solid doors provide the ultimate in quiet operation.
- Up to 92.4% A.F.U.E.
- Low speed constant fan.
- Constant temperature rise for superior comfort.
- Seven segment LED for system diagnostics.
- Diagnostic history for troubleshooting.
- Two-speed induced draft motor.
- Direct spark ignition with remote sense.
- Left or right side gas and electric inlet connections and condensate drainage allow quick and simple change.
- Optional indoor or outdoor combustion air.

### UNIT DATA

#### HEATING PERFORMANCE

TOTAL CAPACITY INPUT\* ..... MBH [kW]  
 TOTAL CAPACITY OUTPUT\* .. MBH [kW]  
 DESIGN TEMP. RISE ..... °F [°C] DB  
 AFUE ..... %  
 CALIFORNIA SEASONAL EFFICIENCY ..... %  
 (\*uses blower motor heat)

#### SUPPLY AIR BLOWER PERFORMANCE

TOTAL AIR SUPPLY ..... CFM [L/s]  
 TOTAL RESISTANCE EXTERNAL TO UNIT ..... IWG  
 BLOWER SPEED ..... RPM  
 POWER OUTPUT REQUIREMENT .. BHP  
 MOTOR RATING ..... HP [W]  
 POWER INPUT REQUIREMENT ..... kW

#### ELECTRICAL DATA

POWER SUPPLY ..... / /  
 TOTAL UNIT AMPACITY ..... AMPS  
 MINIMUM WIRE SIZE ..... AWG  
 MAXIMUM OVERCURRENT DEVICE FUSES/HACR BREAKER ..... AMPS

### FIELD INSTALLED ACCESSORIES

- Vent Termination Kits Concentric:  
 Vertical/Horizontal: RXGY-D02, RXGY-E03, RXGY-G02....  
 Condensate Pump Kit: RXGY-B01 .....  
 Neutralizer Kit: RXGY-A01 .....  
 Return Air Plenum (RXGR-C17B, 21B, 24B) .....  
 External Side Filter Rack: RXGF-CC .....  
 Modulating Furnace Thermostat (-)HC-TST401MDMS .....  
 Alternate (Left Side) Drain Kit: RXGY-H01 .....

FILTER RACK FILTER SIZES* INCHES [mm]	
MODEL (-)GGD-	RXGF-CC (BOTTOM)
06	(2) 12 x 20 [305 x 508]
07	(2) 12 x 20 [305 x 508]
09	(2) 12 x 20 [305 x 508]
10	(2) 12 x 20 [305 x 508]
12	(2) 14 x 20 [356 x 508]

\*Filter racks are shipped without filters.  
 Filters shipped with furnace may be used or a suitable 1" [25.4 mm] filter.

[ ] Designates Metric Conversions



## DOWNFLOW MODELS

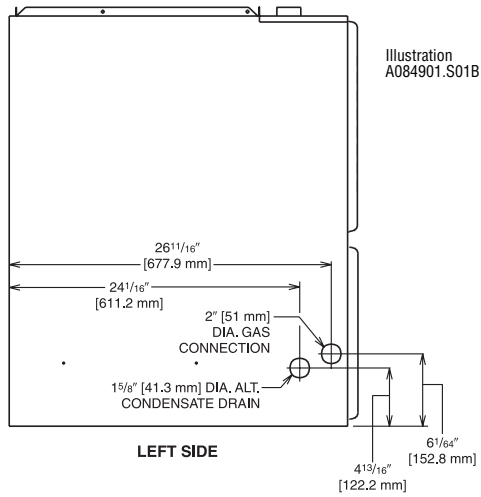


Illustration  
A084901.S01B

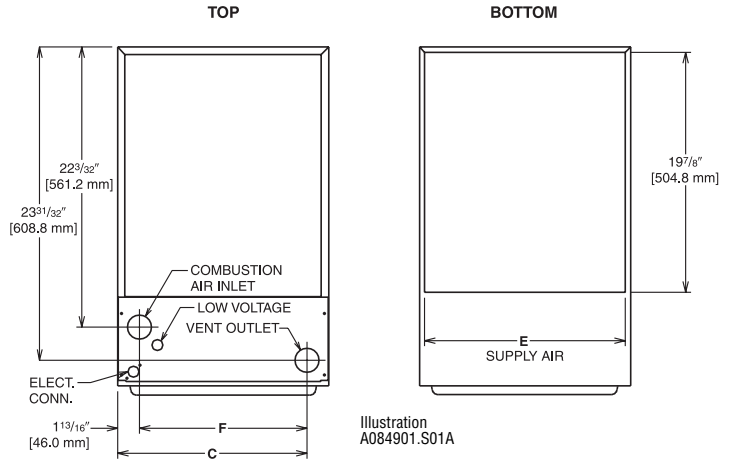


Illustration  
A084901.S01A

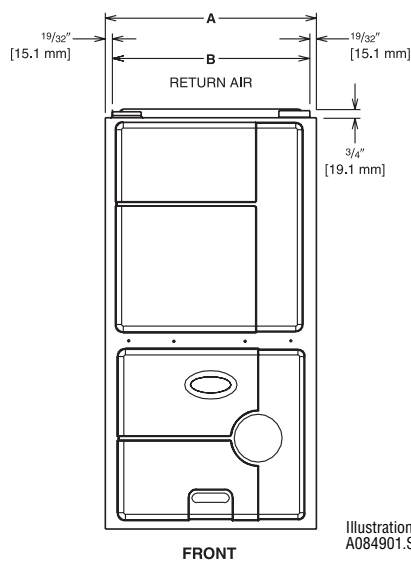


Illustration  
A084901.S01C

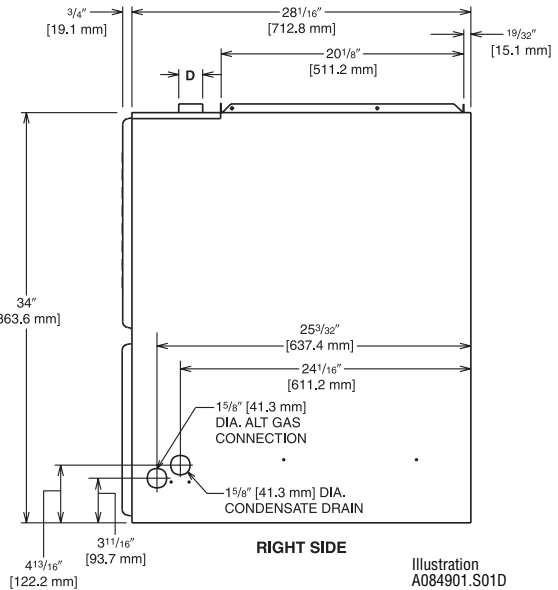


Illustration  
A084901.S01D

MODEL (-)GGD-	A	B	C	D	E	F	LEFT SIDE	MINIMUM CLEARANCE (IN.) [mm]					SHIP. WGT. (LBS.) (kg)
								RIGHT SIDE	BACK	TOP	FRONT	VENT	
06	17 1/2 [445]	16 11/32 [415]	15 5/8 [397]	2 [51]	16 5/8 [422]	13 7/8 [352]	0	0	0	1 [25]	2 [51]	0	117 [53]
07	17 1/2 [445]	16 11/32 [415]	15 5/8 [397]	2 [51]	16 5/8 [422]	13 7/8 [352]	0	0	0	1 [25]	2 [51]	0	123 [56]
09	21 [533]	19 27/32 [504]	19 3/16 [487]	2 [51]	20 1/8 [511]	17 3/8 [441]	0	0	0	1 [25]	2 [51]	0	148 [67]
10	21 [533]	19 27/32 [504]	19 3/16 [487]	2 [51]	20 1/8 [511]	17 3/8 [441]	0	0	0	1 [25]	2 [51]	0	152 [69]
12	24 1/2 [622]	23 11/32 [594]	22 5/8 [575]	2 [51]	23 5/8 [600]	20 7/8 [530]	0	0	0	1 [25]	2 [51]	0	160 [73]

[ ] Designates Metric Conversions

**Before proceeding with installation, refer to installation instructions packaged with each model, as well as complying with all Federal, State, Provincial, and Local codes, regulations, and practices.**

RHEEM  
MANUFACTURING  
COMPANY  
5600 Old Greenwood Road, Fort Smith, Arkansas 72908

*"In keeping with its policy of continuous progress and product improvement, Rheem reserves the right to make changes without notice."*