

[-]BHK

Parts List

Heat Pump And Fan Coil

Air Handler

Sizes 17-25



Published March 2002

Form Number 92-24326-14-02

CATALOG TAB - Air Handler

TABLE OF CONTENTS

Notes	Page 2
Model Number Explanation	Page 3 - 4
Serial Number Explanation	Page 3 - 4
Exploded View	Page 5 - 6
Jacket, Doors, Filter, Blower Parts	Page 7
Center Panel, Sheath Heater, Sequencing Relay, Transformer	Page 8
Limit, Terminal Block, Circuit Breaker	Page 9
Finger Stop, Jumper Bar, Watt Restrictor, Defrost Control	Page 10

ORDERING, STOCKING AND NOTE EXPLANATIONS

Ordering Instructions:

When ordering a replacement part, be sure to read all notes and symbol notations on the parts list. In some cases, it is necessary to determine the unit style number and/or serial number in addition to the model number before selecting a replacement part. When ordering painted cabinet parts, the order **must specify** unit model number, serial number, and paint color. Also, your order can be processed more rapidly if you show the part number and description. Once the product is out of current production, ordering such parts must be cleared with the Parts Department as price and availability will vary.

Replacement Parts Stocking Information:

See the current "List Price Book For Air Conditioning Parts" for individual stock code information. As a general rule, most parts are in stock or have a short order period as long as the product is in current production. Once the product is out of current production, ordering such parts must be cleared with the Parts Department as price and availability will vary.

Note Explanation:

<i>np</i>	This part is not shown in exploded view. [no picture]
<i>cr</i>	This original part number has been cross-referenced to an equal, or better than replacement, part number.
<i>dna</i>	Does not apply
<i>fi</i>	Finished Good Accy and must order thru the National Order Center
<i>nw</i>	This part was new to the List Price Book when the product was introduced
<i>stk</i>	This part should be stocked .
<i>()</i>	Order quantity

MODEL NUMBER EXPLANATION

[-]	B	H	K	-	17	J	11	S	F	B
1	2	3	4	5	6	7	8	9	10	11

Position

- | | | | |
|---|--|----|--|
| 1 | Trade Name | 8 | ELECTRICAL HEAT (KW)
DESIGNATION
(See Electrical Heat Data
for actual KW at 208 Volts.)
00 = No Heat
06 = 4.9 kW
07 = 7.0 kW
11 = 10.0 kW
14 = 14.0 kW
18 = 17.5 kW
21 = 21.0 kW |
| 2 | Blower Unit | | |
| 3 | Type Unit | | |
| 4 | Design Series | | |
| 5 | Dash | | |
| 6 | NOMINAL CABINET WIDTH
17 = 17"
21 = 21"
24 = 24"
25 = 25" | | |
| 7 | ELECTRICAL DESIGNATION
J = 208/230V, 1 Phase, 60HZ | 9 | CONTROL DESIGNATION
N = No Circuit Breakers/Single Supply Circuit
S = Circuit Breaker(s) / Single Supply Circuit |
| | | 10 | AIRFLOW DIRECTION
F = Front Upflow Connection Options
H = Horizontal Left Front Connection Option
U = Side Refrigerant Connection |
| | | 11 | COIL DESIGNATION
A = Without Coil / With Casing
B, C, D, E, F, G, H = See Page 4 |

SERIAL NUMBER EXPLANATION

T	M	07	01	0	0	0	0	1
1	2	3	4	5	6	7	8	9

Position

- | | |
|-----------|---|
| 1 | SEQUENCER MANUFACTURER
T = Therm-o-disc
= No Sequence |
| 2 | PRODUCTION LOCATION
M = Milledgeville, GA |
| 3 | WEEK |
| 4 | YEAR |
| 5,6,7,8,9 | PRODUCTION NUMBER
Starts with 00001 and runs through 99999,
then rolls back to 00001 |

MULTIFLEX COIL MODEL NUMBER EXPLANATION

R	C	G	J	-	24	A	1	G	G	17
1	2	3	4		5	6	7	8	9	10

Position

- 1** Tradename
- 2** Coil
- 3** Type of Coil
 - G = Expansion Valve (Cooling Only)
 - H = Expansion Valve Heat Pump
- 4** Design Series
 - A = 1st Design
 - J = High Efficiency
 - L = R410A
- 5** Nominal Capacity
 - 24 = 18,000 to 24,000 BTUH
 - 37 = 30,000 to 36,000 BTUH
 - 48 = 42,000 to 48,000 BTUH
 - 60 = 60000 BTUH

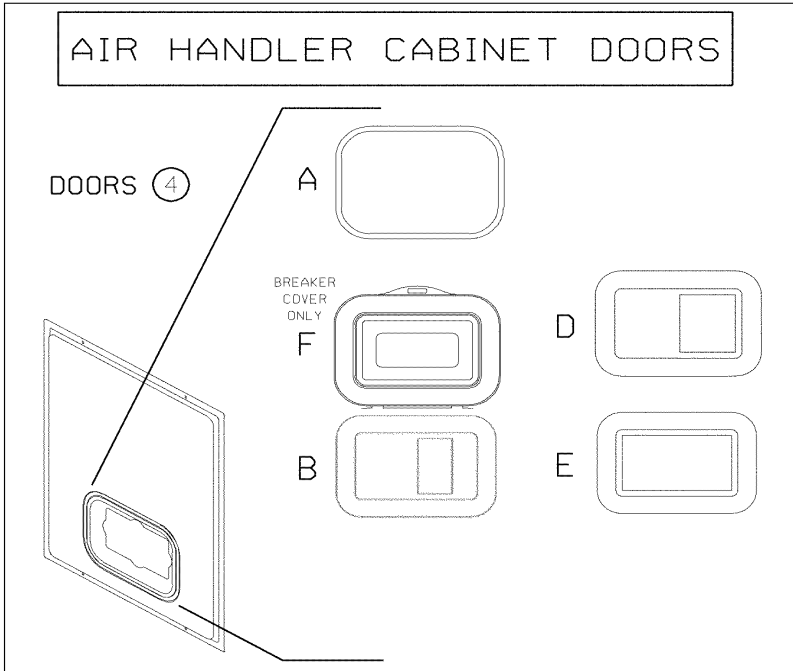
[A capacity is dependent upon metering device and system combination. See outdoor unit instructions for specifications.]

Position

- 6, 7** Metering Device
 - ** = Flowcheck Piston
 - A1 or A2 = TX Valve
- 8** Connection [Refrigeration]
 - A = Side
 - G = Front
- 9** Airflow
 - G = Upflow/Downflow
 - H = Horizontal - Left
 - S = Upflow/Downflow Field Refrig. Connect Left or Right
- 10** Coil Casing
 - 14 = 14"
 - 17 = 17"
 - 21 = 21"
 - 24 = 24"

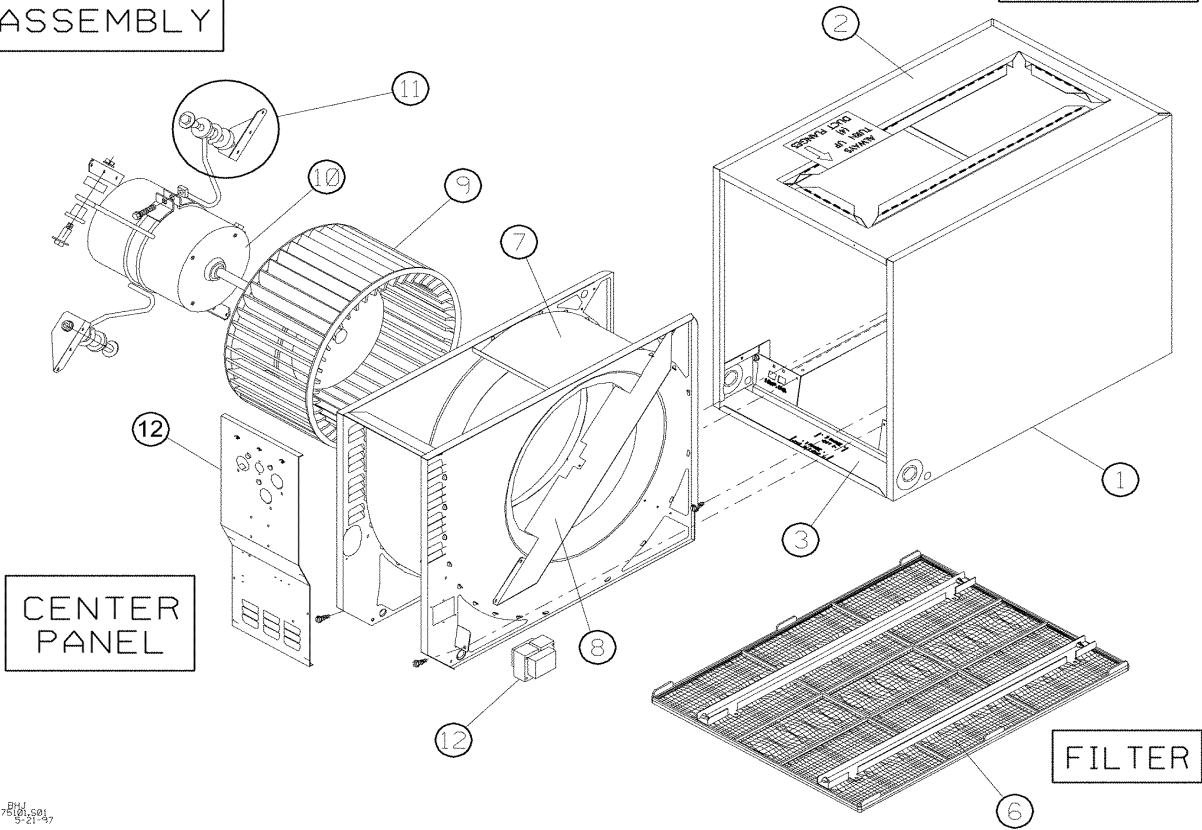
Coils listed for the [-]BHK Model

Air Flow Connection	Coil Code	Cabinet Width			
		17 (17.5")	21 (21.0")	24 (24.5")	25 (24.5")
F / H	A	NONE	NONE	NONE	NONE
F	B	RCGJ-24A1GG17	RCGJ-36A1GG21	RCGJ-48A1GG24	
H		RCGJ-24A1GH17	RCGJ-36A1GH21	RCGJ-48A1GH24	
F	C	RCGJ-24A2GG17	RCGJ-36A2GG21	RCGJ-60A1GG24	RCGJ-60A1GG24
H		RCGJ-24A2GH17	RCGJ-36A2GH21	RCGJ-60A1GH24	RCGJ-60A1GH24
F	D	RCHJ-24A1GG17	RCHJ-36A1GG21	RCHJ-48A1GG24	
H		RCHJ-24A1GH17	RCHJ-36A1GH21	RCHJ-48A1GH24	
F	E	RCHJ-24A2GG17	RCHJ-36A2GG21		RCHJ-60A1GG24
H		RCHJ-24A2GH17	RCHJ-36A2GH21		RCHJ-60A1GH24
F	F	RCHA-24A1GG17	RCHA-36A1GG21	RCHA-48A1GG24	
H		RCHA-24A1GH17	RCHA-36A1GH21	RCHA-48A1GH24	
F	G	RCHA-24A2GG17	RCHA-36A2GG21	RCHJ-48A2GG24	
H		RCHA-24A2GH17	RCHA-36A2GH21	RCHJ-48A2GH24	
F	H				RCHA-60A1GG24
H					RCHA-60A1GH24
U	E			RCHJ-51A1AS24	
U	Y				RCHJ-61A1AS24
U	Z				RCGJ-61A1AS24
F	1	RCHL-24A2GG17			
H		RCHL-24A2GH17			
F	2		RCHL-36A1GG21		
H			RCHL-36A1GH21		
F	3		RCHL-36A2GG21		
H			RCHL-36A2GH21		
F	4			RCHL-48A1GG24	
H				RCHL-48A1GH24	
F	5			RCHL-48A2GG24	
H				RCHL-48A2GH24	
U	6			RCHL-51A1AS24	
F	7				RCHL-60A1GG24
H					RCHL-60A1GH24
U	8				RCHL-61A1AS24



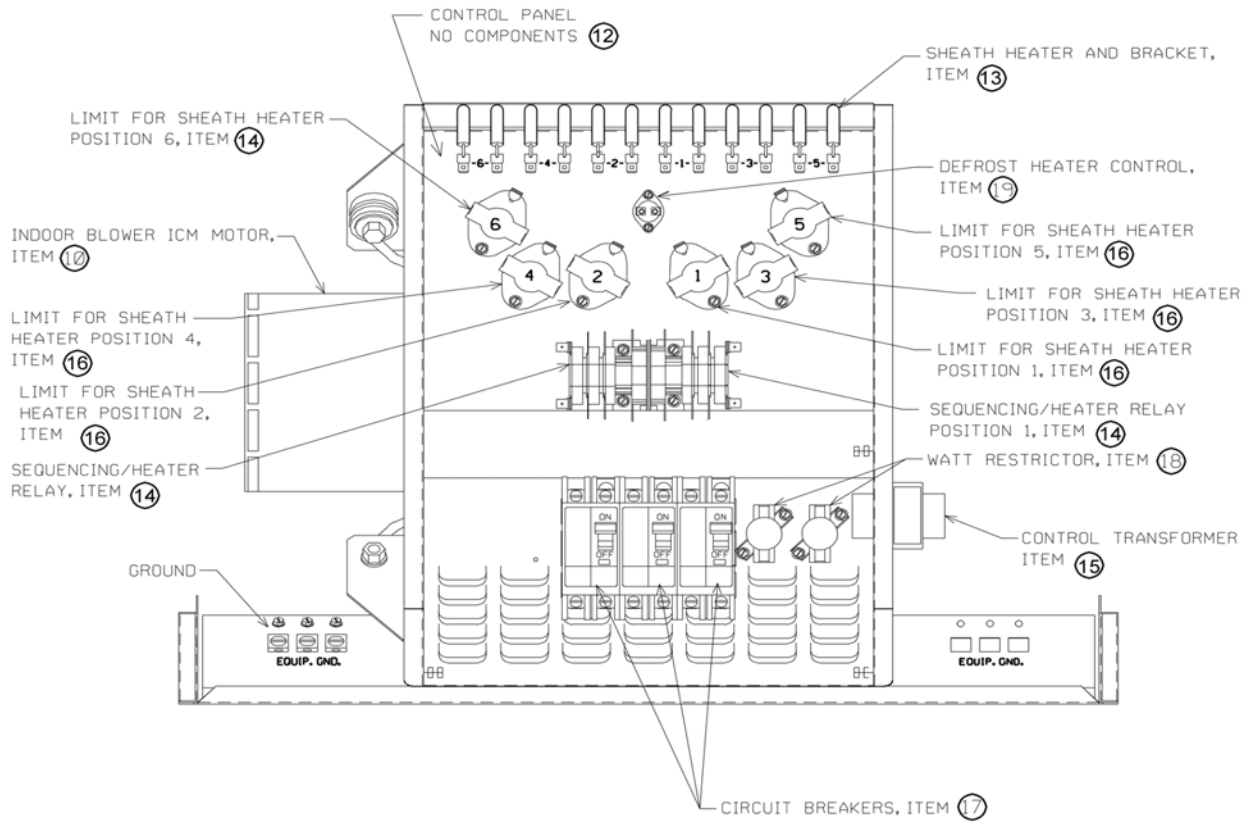
BLOWER ASSEMBLY

CABINET



BHJ
0075101
B3W 3-11-17

GROUP 4 Electrical Components



NOTE:
HEATER ELEMENT IN POSITION '1' IS ASSOCIATED WITH THE LIMIT CONTROL IN POSITION '1',
HEATER ELEMENT '2' WITH LIMIT CONTROL '2', ETC.

SHJ
A875201.S01
BJW 5-21-97

NO.	MODEL CABINET WIDTH	[-] BHK	[-] BHK	[-] BHK	[-] BHK
		17	21	24	25
JACKET, DOORS, FILTER, BLOWER PARTS					
1	Jacket	AS-58397-02	AS-58397-03	AS-58397-04	AS-58397-04
2	Blower Shelf-Cover / Top Deck	AS-58389-05	AS-58389-06	AS-58389-07	AS-58389-04
3	Bottom Channel	AE-58381-02	AE-58381-03	AE-58381-04	AE-58381-04
4	Blower Door Panel	Door Panel Number (See drawing to locate the correct type of opening)			
4A	Solid - No opening	AE-59440-05 17J??N	AE-59441-05 21J??N	AE-59442-05 24J??N	AE-59442-05 25J??N
4B	Single Breaker - Small Opening Right Side	AE-59440-06 17J??S	AE-59441-10 21J??S	AE-59442-06 24J14S	AE-59442-06 25J11S
4D	Double Breaker - Before Middle/Side Opening	dna	dna	AE-59442-07 24J14S	AE-59442-07 25J14S, 25J21S
4E	Triple Single Breaker - Full Opening	dna	dna	AE-59442-09 2418S	AE-59442-09 25J18S
4F	Circuit Breaker Cover	AE-59379-02	AE-59379-02	AE-59379-02	AE-59379-02
np	Circuit Breaker Cover Gasket	68-24337-02	68-24337-02	68-24337-02	68-24337-02
6	Filter - Plastic	AE-59375-02	AE-59375-03	AE-59375-04	AE-59375-04
7	Blower Housing Electric Heat Designation				
	00	AS-58391-01	AS-58391-05	AS-58391-10	AS-58391-16
	06	AS-58391-23	AS-58391-24	AS-58391-25	dna
	07	AS-58391-03	AS-58391-07	AS-58391-12	dna
	11	AS-58391-04	AS-58391-08	AS-58391-13	AS-58391-19
	14	dna	dna	AS-58391-14	AS-58391-20
	15	dna	dna	AS-58391-15	dna
	18	dna	dna	dna	AS-58391-21
	21	dna	dna	dna	AS-58391-22
8	Air Straightener	AE-58392-02	AE-58392-02	AE-58392-02	AE-58392-02
9	Blower Wheel	70-23111-50	70-23111-51	70-23111-43	70-23111-44
np	Front Coil Support	AE-58348-08	AE-58348-09	AE-58348-10	AE-58348-10
np	Front Coil Support	AE-58348-02	AE-58348-03	AE-58348-04	AE-58348-04
np	Rear Coil Support	AE-58349-08	AE-58349-09	AE-58349-10	AE-58349-10
np	Rear Coil Support	AE-58349-02	AE-58349-03	AE-58349-04	AE-58349-04
np	Blockoff Plate (2)	AS-59320-01	AS-59320-01	dna	dna
10	Blower Motor	<u>51-24373-02</u> 1/3 HP, 120 / 240 Volt, 2 Speed	<u>51-24374-10</u> 1/2 HP, 120 / 240 Volt, 2 Speed	<u>51-24374-11</u> 1/2 HP, 120 / 240 Volt, 2 Speed	<u>51-24375-08</u> 3/4 HP, 120 / 240 Volt, 2 Speed
np	Blower Motor Module	51-24381-92	51-24382-90	51-24382-91	51-24384-88
np	ECM Interface Control	62-24340-02	62-24340-02	62-24340-02	62-24340-02
np	ECM Interface Control Bracket	AE-90898-01	AE-90898-01	AE-90898-01	AE-90898-01
11	Motor Mounting Bracket	70-24104-81	70-24104-81	70-24104-81	70-24104-81
np	Plug Housing - low voltage	45-24258-08	45-24258-08	45-24258-08	45-24258-08
np	Wire Harness - high voltage	45-24258-02	45-24258-02	45-24258-02	45-24258-02

NO.	MODEL CABINET WIDTH	[-] BHK 17	[-] BHK 21	[-] BHK 24	[-] BHK 25
CENTER PANEL, SHEATH HEATER, SEQUENCING RELAY, TRANSFORMER					
12	Center Panel - Select By Model				
	[-]BHK-	AE-58385-02 17???N 17J07S	AE-58385-07 21J??N	AE-58385-14 24J??N	AE-58385-24 25J??N
	[-]BHK-	AE-58385-04 17J06S 17J11S	AE-58385-08 21J??S	AE-58385-16 24J06S, 24J07S, 24J11S, 24J14S	AE-58385-26 25J14S, 25J11S, 25J21S
	[-]BHK-			AE-58385-21 24J18S	AE-58385-27 25J18S
13	Sheath Heater and Bracket Electric Heat Designation				
	06	AS-58386-91(2)	AS-58386-91(2)	AS-58386-91(2)	dna
	07	AS-58386-92 (2)	AS-58386-92 (2)	AS-58386-92 (2)	dna
	11	AS-58386-92 (3)	AS-58386-92 (3)	AS-58386-92 (3)	AS-58386-92 (3)
	14	dna	AS-58386-92 (4)	AS-58386-92 (4)	AS-58386-92 (4)
	18	dna	dna	AS-58386-92 (5)	AS-58386-92 (4)
	21	dna	dna	dna	AS-58386-92 (5)
14	Sequencing / Heat Relay - Electric Heat Designation	Listed in position order - see drawing.			
	00	dna	dna	dna	dna
	06N	42-23116-06	42-23116-06	42-23116-08	dna
	06S			42-23116-06	
	07	42-23116-07	42-23116-07	42-23116-07	42-23116-07
	11	42-23116-06 42-23116-08	42-23116-06 42-23116-08	42-23116-06 42-23116-08	42-23116-06 42-23116-08
	14	dna	42-23116-06 42-23116-08	42-23116-07 42-23116-08	42-23116-07 42-23116-08
	18	dna	dna	42-23116-07 42-23116-09	42-23116-07 42-23116-09
	21	dna	dna	dna	42-23116-07 42-23116-09
15	Transformer	46-23115-02	46-23115-02	46-23115-02	46-23115-02

NO.	MODEL CABINET WIDTH	[-] BHK 17	[-] BHK 21	[-] BHK 24	[-] BHK 25
LIMIT FOR SHEATH HEATER, TERMINAL BLOCK, CIRCUIT BREAKER					
16	Limit for Sheath Heater -	Listed in position order - see drawing.			
	Voltage / Electric Heat Designation				
	?00	dna	dna	dna	dna
	?06	47-23113-01	47-23113-03	47-23113-01	dna
	?07	47-23113-01 47-23113-02	47-23113-03 47-23113-02	47-23113-01 47-23113-05	dna
	J11N	47-23113-01 47-23113-02 47-23113-02	47-23113-03 47-23113-02 47-23113-04	47-23113-01 47-23113-05	47-23113-01 47-23113-05 47-23113-02
	J11S	47-23113-01 47-23113-02 47-23113-02	47-23113-03 47-23113-02 47-23113-04	47-23113-01 47-23113-05 47-23113-05	47-23113-01 47-23113-05 47-23113-05
	J14	dna	47-23113-03 47-23113-02 47-23113-04 47-23113-04	47-23113-01 47-23113-05 47-23113-05 47-23113-04	47-23113-02 47-23113-03 47-23113-04 47-23113-04
	J18	dna	dna	47-23113-01 47-23113-05 47-23113-05 47-23113-04 47-23113-04	47-23113-01 47-23113-05 47-23113-05 47-23113-05 47-23113-06
	J21	dna	dna	dna	47-23113-01 47-23113-05 47-23113-05 47-23113-02 47-23113-06
np	Terminal Block				
	No Terminal Block	<u>No Terminal Blk</u> 17J06S, 17J07S, 17J11S,	<u>No Terminal Blk</u> 21J06S, 21J07S, 21J11S, 21J14S	<u>No Terminal Blk</u> 24J06S, 24J07S, 24J11S, 24J14S, 24J18S,	<u>No Terminal Blk</u> 25J00N, 25J14S, 25J18S, 25J21S,
	[-]BHK - see specific models listed to the right.	<u>45-23222-01</u> 17A00N, 17J06N	<u>45-23222-01</u> 21J00N, 21J06N	<u>45-23222-01</u> 24J00N, 24J06N	<u>45-23222-01</u> 25J00N
[-]BHK - see specific models listed to the right.	<u>45-23222-02</u> 17J07N, 17J11N	<u>45-23222-02</u> 21J07N 21J11N	<u>45-23222-02</u> 24J06N, 24J07N, 24J11N	<u>45-23222-02</u> 25J11N	
17	Circuit Breaker				
	Electric Heat Designation				
	00	dna	dna	dna	dna
	06	42-23201-01	42-23201-01	42-23201-01	dna
	07	42-23201-01	42-23201-01	42-23201-01	42-23201-01
	11	42-23201-01	42-23201-01	42-23201-01	42-23201-01
	14	dna	42-23201-01 (2)	42-23201-01(2)	42-23201-01(2)
	18	dna	dna	42-23201-01(2)	42-23201-01(2)
21	dna	dna	dna	42-23201-01(2)	

NO.	MODEL CABINET WIDTH	NOTE	[-] BHK 17	[-] BHK 21	[-] BHK 24	[-] BHK 25		
FINGER STOP, JUMPER BAR, WATT RESTRICTOR, DEFROST HEATER CONTROL								
np	Finger Stop Voltage / Electric Heat Designation							
	00		dna	dna	dna	dna		
	06S		45-23203-01 (2)	45-23203-01 (1)	45-23203-01 (2)	dna		
	07S		45-23203-01 (2)	45-23203-01 (1)	45-23203-01 (2)	dna		
	11S		45-23203-01 (2)	45-23203-01 (3)	45-23203-01 (3)	45-23203-01 (2)		
np	Jumper Bar 4 - pole Electric Heat Designation							
	14		dna	45-23202-01 (1)	45-23202-01 (1)	45-23202-01 (1)		
	18		dna	dna	45-23202-01 (1)	45-23202-01 (1)		
18	Watt Restrictors		For Heat Pump Addition					
	47-23117-01		17J07N 17J07S 17J11N 17J11S	21J14S		dna		
	47-23117-02		dna	dna	24J14S 24J18S	25J14S 25J18S 25J21S		
19	Defrost Heater Control		47-23118-01	47-23118-01	47-23118-01	47-23118-01		

ACCESSORIES, DOOR KITS							
np	Replacement Filters	stk	54-23217-02 16.25" x 21"	54-23217-03 19.75" x 21"	54-23217-04 23.25" x 21"	54-23217-04 23.25" x 21"	
np	Jumper Bar Kit 3 Ckt to 1 Ckt - See Spec Sheet for explanation.	fi	RXBJ-A31	RXBJ-A31	RXBJ-A31	RXBJ-A31	
np	Horizontal Drain Pan - Unit installed Horizontal						
	Drain toward the Bottom	fi	RXBD-CA17	RXBD-CA21	RXBD-CA24	RXBD-CA25	
	Drain toward the Bottom - bulk pack	fi	RXBD-CA17x50	RXBD-CA21x50	RXBD-CA24x50	RXBD-CA25x50	
	Drain toward the Front	fi	RXBD-CB17	RXBD-CB21	RXBD-CB24	RXBD-CB25	
	Drain toward the Front - bulk pack	fi	RXBD-CB17x50	RXBD-CB21x50	RXBD-CB24x50	RXBD-CB25x50	
np	Auxiliary horizontal drain pan. - 6 pack	fi	RXBM-AA06	RXBM-AA06	RXBM-AA06	RXBM-AA06	
np	Replacement Door Kit - Air Handler	fi	RXCD-A17A	RXCD-A21A	RXCD-A24A	RXCD-A24A	
np	Replacement Door Kit - Cased Coil Box	fi	RXCD-G17A	RXCD-G21A	RXCD-G24A	RXCD-G24A	

Note Page

Air Conditioning Division
3900 South Zero Street
Fort Smith, Arkansas 72908
501.648.4786

Printed in U.S.A.

May 2002
92-24326-14-02