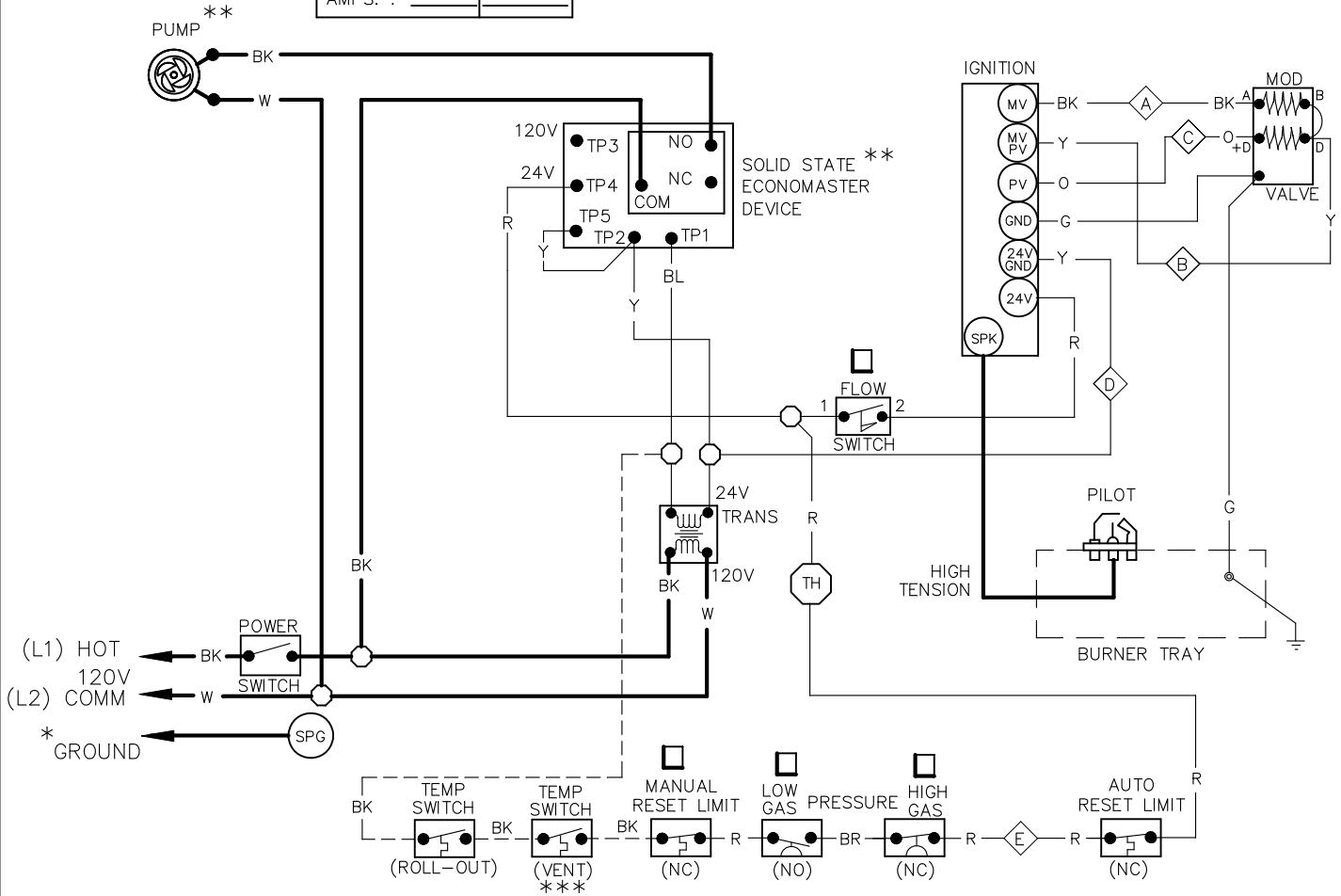


PUMP DATA	
FACTORY	FIELD
MODEL :	
H.P. :	
AMPS. :	



NOTES: * USE GROUND CONNECTION PROVIDED. FAILURE TO PROVIDE PROPER GROUND MAY RESULT IN LOCK-OUT ALL GROUND \pm TERMINATE AT (SPG).

****** PUMP USED MUST BE RATED 10 AMPS MAX OR 3/4 HP MAX. PUMP DELAY ADJUSTABLE BETWEEN 3 AND 10 MINUTES.

******* VENT TEMP SWITCH ONLY PROVIDED ON INDOOR BOILERS

(A)-(E) CONNECTIONS FOR OPTIONAL E-4 ALARM PANEL.

CHECK CONTROLS PROVIDED (WIRED AS SHOWN)

(*) IF ANY OF THE ORIGINAL WIRE AS SUPPLIED MUST BE REPLACED, IT MUST BE REPLACED WITH ITS EQUIVALENT, 105°C OR 150°C AS NOTED.

KEY	
—	24V 105°C
- - -	24V 150°C
—	120V 105°C
- - -	120V 150°C
○	WIRE NUT
⊙	GROUND
BK	BLACK
BR	BROWN
R	RED
O	ORANGE
Y	YELLOW
G	GREEN
BL	BLUE
V	VIOLET
W	WHITE

CHECKED BY:	
APPROVED BY:	
ORIG E.O. 2725	11/17/92
CHG E.O. 5161	11/14/13
Raupak	

WIRING DIAGRAM IID ECONOMASTER FIRING MODE - MECHANICAL MODULATING

BOILER INPUTS: 136,000 BTUH

BOILER SIZE: **133A**

BOILER TYPE: **WH2**

152331

7