

INDOOR COILS

RCFN- featuring
Industry Standard
R-410A Refrigerant

R-410A



RCFN- HM/HU Models



CASED/UNCASED COILS FOR GAS AND OIL FURNACES

**AIRFLOW CAPACITIES
600-1,900 CFM
[283-897 L/s]**

Ruud® Indoor Coils are designed for use with Ruud outdoor units and are available for vertical upflow or downflow, and horizontal left or horizontal right airflow. When matched with Ruud outdoor units, the coils provide a nominal capacity of 24,000 to 60,000 BTU/HR [7.03 to 17.6 kW].

- Constructed of aluminum fins bonded to internally grooved copper tubing.
- Coils are tested at the factory with an extensive refrigerant leak check.
- Coils have sweat refrigerant connections.
- Ideally suited for new installations or add on air conditioning.
- Feature two sets of 3/4" [14.1 mm] N.P.T. Condensate drain connections for ease of connection.
- Coils are AHRI certified for system application with variety of Ruud outdoor units.
- Condensate drain pan is constructed of high grade, heat resistant, corrosion free thermal-set material.
- Compatible with Germicidal Light System (UV resistant)
- Bi-Directional airflow eliminates the need to switch any internal components from horizontal left to right. (Not applicable on: AM4821AC & AM6021AC.)
- Unique drain pan design maximizes application flexibility and condensate removal.

RCFN- AM Models



MODEL NUMBER DATA

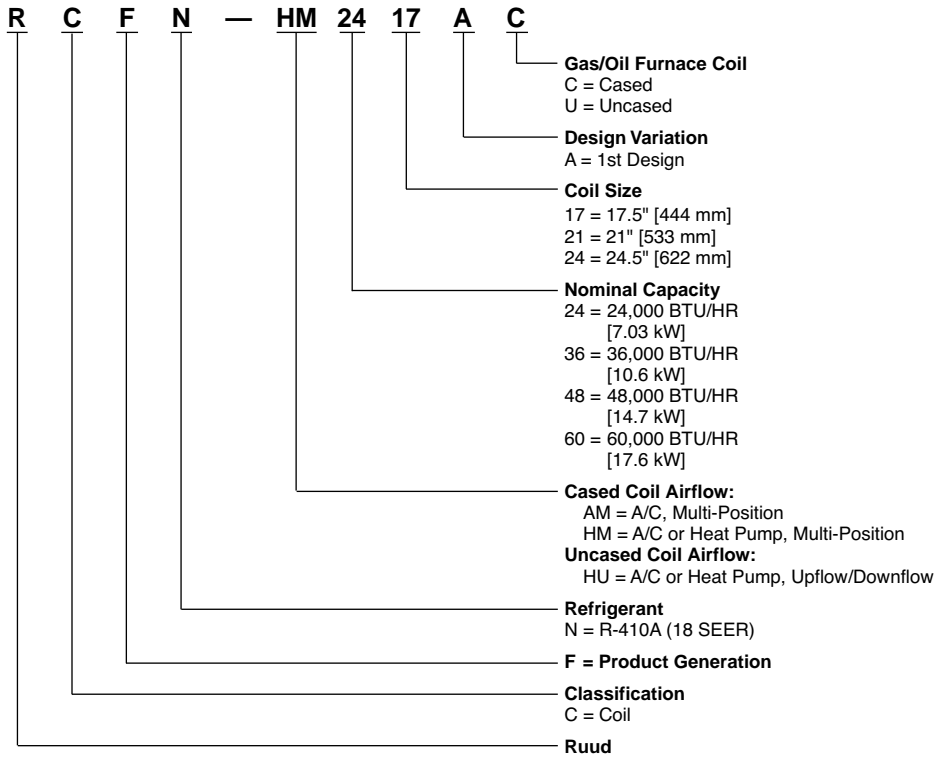


Table 1: Coil Specifications/Airflow Pressure Drop

Coil Model Number	Approx. Design Air Flow CFM [L/s] Range	Face Area Sq. Ft. [m ²]	Fins-in. Rows Deep	Static Pressure Drop Through Wet Cooling Coil [kPa] (Inches W.C.) CFM [L/s]													
				600 [283]	700 [330]	800 [378]	900 [425]	1000 [472]	1100 [519]	1200 [566]	1300 [614]	1400 [661]	1500 [708]	1600 [756]	1700 [802]	1800 [850]	1900 [897]
HIGH EFFICIENCY COOLING COILS																	
2417	600/800 [283/378]	5.70 [0.53]	16/2	0.07 [0.02]	0.12 [0.03]	0.17 [0.04]	0.21 [0.05]	—	—	—	—	—	—	—	—	—	—
2421	600/800 [283/378]	5.70 [0.53]	16/2	0.05 [0.01]	0.10 [0.02]	0.15 [0.04]	0.18 [0.04]	—	—	—	—	—	—	—	—	—	—
3624	825/1175 [389/555]	9.98 [0.93]	14/3	—	—	0.07 [0.02]	0.09 [0.02]	0.11 [0.03]	0.14 [0.03]	0.16 [0.04]	—	—	—	—	—	—	—
4821	1200/1800 [566/850]	5.33 [0.50]	14/4	—	—	—	—	—	—	0.21 [0.05]	0.23 [0.059]	0.25 [0.063]	0.30 [0.076]	0.32 [0.081]	0.37 [0.094]	—	—
4824	1000/1600 [472/755]	9.98 [0.93]	14/3	—	—	—	—	0.11 [0.03]	0.14 [0.03]	0.16 [0.04]	0.19 [0.05]	0.21 [0.05]	0.24 [0.06]	0.27 [0.07]	—	—	—
6021	1400/1900 [660/897]	5.83 [0.55]	15/4	—	—	—	—	—	—	—	—	0.26 [0.066]	0.30 [0.076]	0.32 [0.081]	0.36 [0.092]	0.40 [0.100]	0.44 [0.112]
6024	1050/1700 [496/802]	9.98 [0.93]	14/3	—	—	—	—	0.11 [0.03]	0.14 [0.03]	0.16 [0.04]	0.19 [0.05]	0.21 [0.05]	0.24 [0.06]	0.27 [0.07]	0.31 [0.08]	—	—

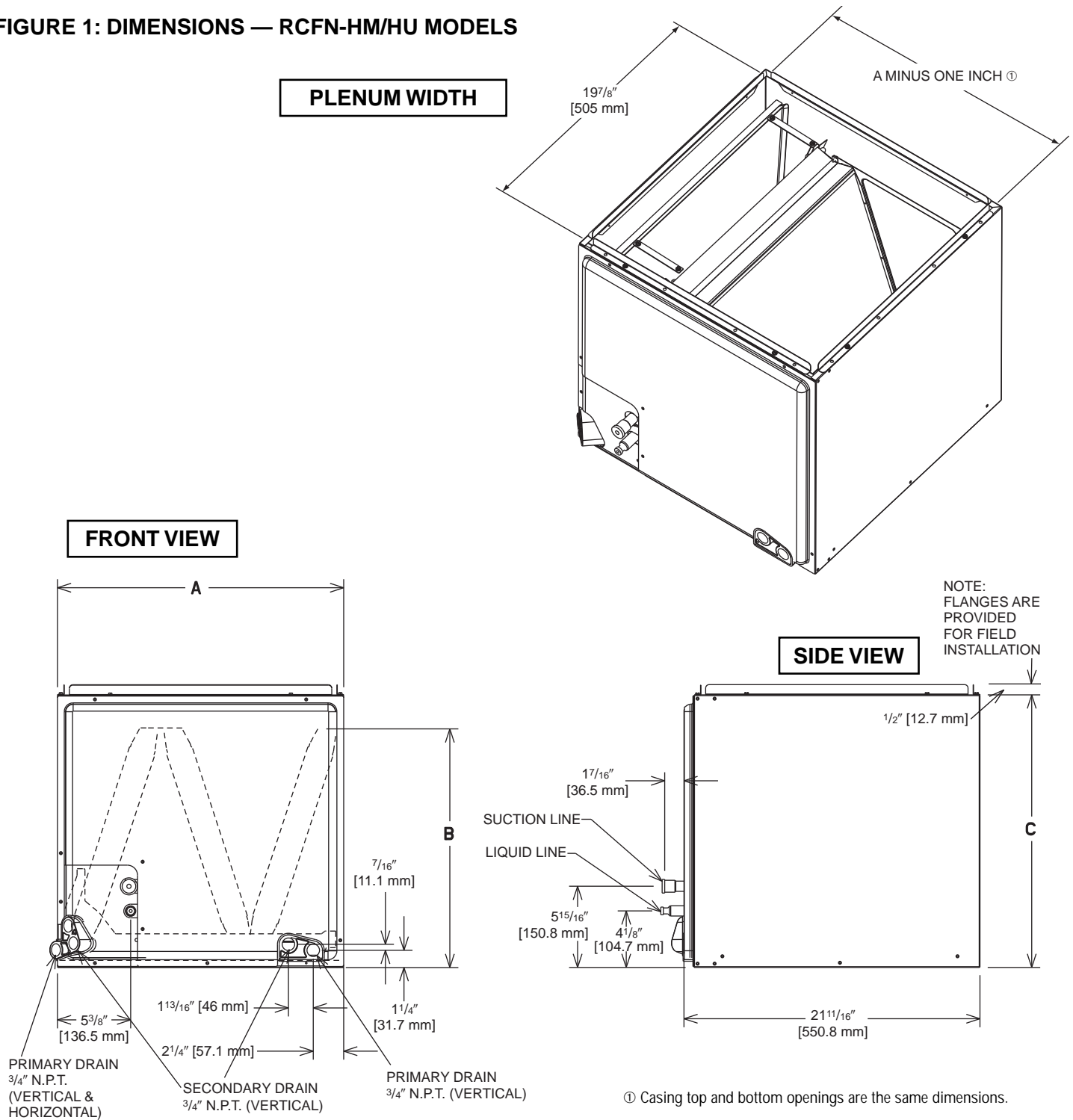
NOTE: Represents Coil-Only Airflow Ratings

[] Designates Metric Conversions

Table 2: Coil Dimensions and Weights — RCFN-HM/HU MODELS

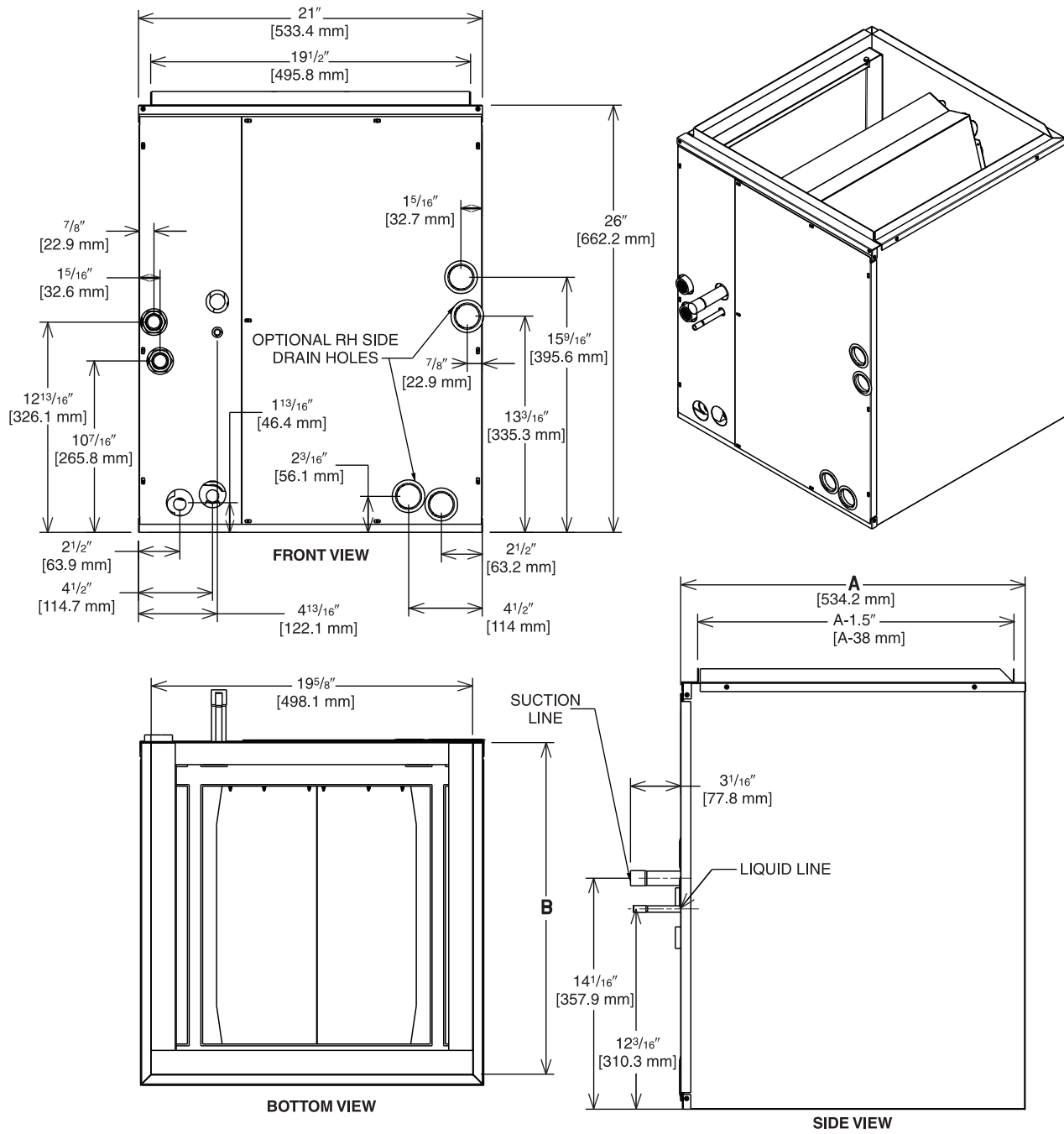
Coil Model Number	Connections		Cased Coil Dimensions (in) [mm]			Weight	
	Sweat (in.) [mm]		A	B	C	Coil Weight (lbs.) [Kg.]	Shipping Weight (lbs.) [Kg.]
	Liquid I.D.	Suction I.D.					
2417	3/8 [9.53]	3/4 [19.05]	17 1/2 [445]	17 7/8 [454]	20 [508]	52 [24]	57 [26]
2421	3/8 [9.53]	3/4 [19.05]	21 1/2 [533]	17 1/2 [445]	20 [508]	52 [24]	60 [27]
3624	3/8 [9.53]	7/8 [22.23]	24 1/2 [622]	30 1/4 [768]	32 [813]	108 [49]	118 [54]
4824	3/8 [9.53]	7/8 [22.23]	24 1/2 [622]	30 1/4 [768]	32 [813]	108 [49]	118 [54]
6024	3/8 [9.53]	7/8 [22.23]	24 1/2 [622]	30 1/4 [768]	32 [813]	108 [49]	118 [54]
4821	3/8 [9.53]	7/8 [22.23]	21 [533]	20 1/8 [511]	26 [662]		64 [29]
6021	3/8 [9.53]	7/8 [22.23]	21 1/2 [533]	20 1/2 [524]	26 [662]		70 [32]

FIGURE 1: DIMENSIONS — RCFN-HM/HU MODELS



[] Designates Metric Conversions

FIGURE 2: DIMENSIONS & WEIGHTS — RCFN-AM MODELS



[] Designates Metric Conversions

Accessories

- RXBA-AC (Upflow/Horizontal) (All RCFN Models)
- RXBA-AD (Downflow/Horizontal)

These plenum adapter accessories are for use when a cooling coil is matched with a gas furnace of one smaller size.

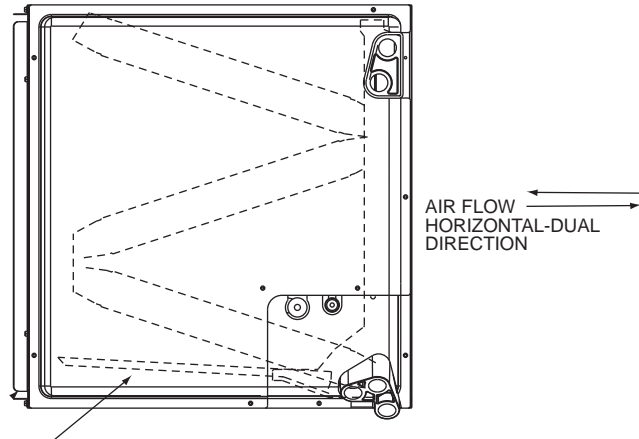
- **HORIZONTAL ADAPTER KIT RXHH (RCFN-HM/HU Models Only) (See Figure 2)**

This horizontal adapter kit is used to convert a upflow or downflow coil for a horizontal application. See Table 4 to order the proper horizontal adapter kit.

Table 4: Horizontal Adapter Kit Model No. (RCFN-HM/HU Models Only)

Coil Model	Horizontal Adapter Kit Model No.
2417/2421	RXHH-A03
3624/4824/6024	RXHH-A05

FIGURE 2: HORIZONTAL ADAPTER KIT ILLUSTRATION



HORIZONTAL ADAPTER KIT (RXHH-)

- **INDOOR COIL CASING- RXBC (See Table 5) (RCFN-HM/HU Models Only)**

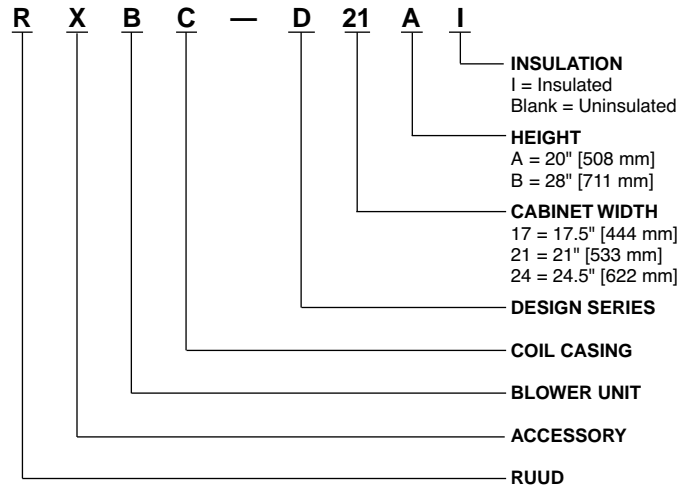


Table 5: Unit Dimensions and Weights- RXBC Indoor Coil Casings (RCFN-HM/HU Models Only)

Model Number	Width (in.) [mm]	Height (in.) [mm]	Depth (in.) [mm]	Unit Weight		Supply Air/Return Air Openings	
				Weight (lbs.) [Kg.]	Ship. Wt. (lbs.) [Kg.]	Width (in.) [mm]	Depth (in.) [mm]
RXBC-D17A1	17½ [445]	20 [508]	21 ⁵ / ₈ [549]	18 [8]	23 [10]	16½ [419]	19 ³¹ / ₃₂ [507]
RXBC-D21A1	21 [533]	20 [508]		20 [9]	26 [12]	20 [508]	
RXBC-D21B1	21 [533]	28 [711]		27 [12]	36 [16]	20 [508]	
RXBC-D24A1	24½ [622]	32½ [826]		34 [15]	44 [20]	23½ [597]	

[] Designates Metric Conversions

Accessories (cont.)

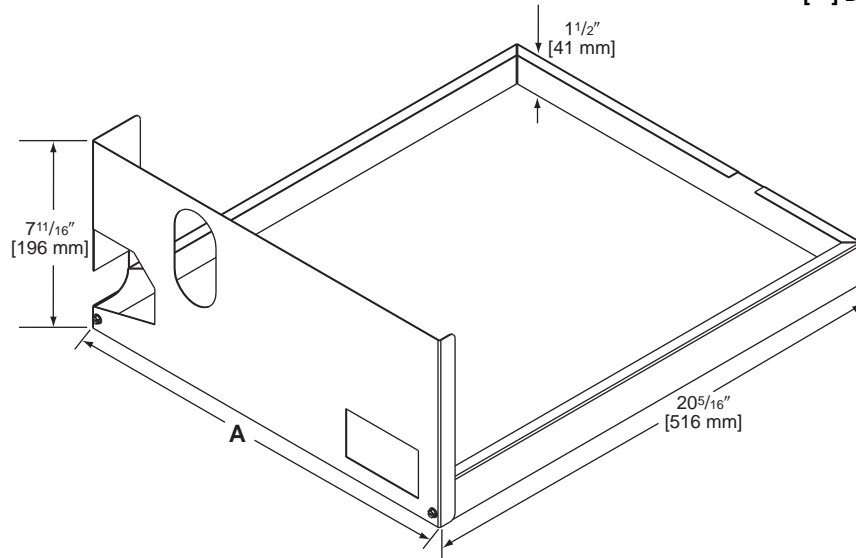
• UNCASED COIL ADAPTER KITS (RCFN-HM/HU Models Only) RXBA- (See Figure 3 & 4)

This uncased coil adapter kit is used to adapt the coil to a furnace or ductwork. See Table 6 to order the proper adapter kit. Each kit contains a quantity of 20 adapters.

Table 6: Uncased Coil Adapter Kit

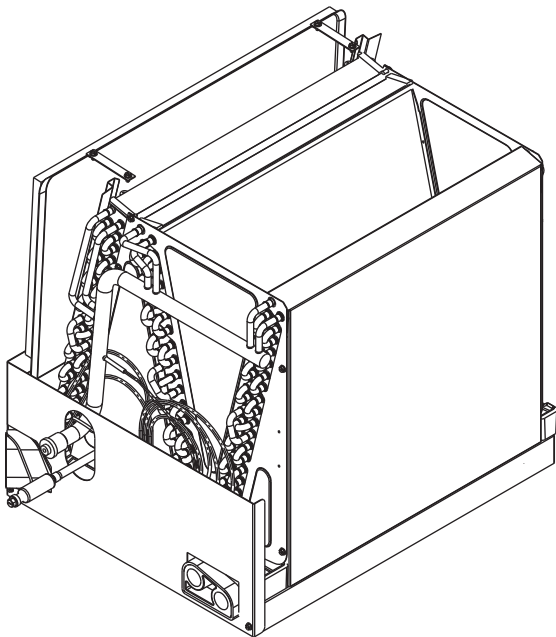
Uncased Coil Adapter Model Number RXBA	A Width (in.) [mm]	Uncased Coil Model RCFN
B17x20	16 ⁵ / ₈ [422]	-HUxx17
B21x20	20 ¹ / ₈ [511]	-HUxx21
B24x20	23 ⁵ / ₈ [599]	-HUxx24

FIGURE 3: UNCASED COIL ADAPTER KIT ILLUSTRATION



[] Designates Metric Conversions

FIGURE 4: UNCASED COIL ADAPTER KIT ASSEMBLED



Note: Sliding the coil into the coil rail before attaching coil rack front.

NOTES

Before proceeding with installation, refer to installation instructions packaged with each model, as well as complying with all Federal, State, Provincial, and Local codes, regulations, and practices.

Ruud Heating,
Cooling and
Water Heating

P.O. Box 17010, Fort Smith, AR 72917



"In keeping with its policy of continuous progress and product improvement, Ruud reserves the right to make changes without notice."