



SUBMITTAL COVER SHEET

PROJECT NAME _____
 LOCATION _____
 ARCHITECT _____
 ENGINEER _____
 CONTRACTOR _____
 SUBMITTED BY _____ DATE _____

UNIT SUMMARY

| | | | | | | |
|---------------------|--|--|--|--|--|--|
| Quantity | | | | | | |
| Unit Designation | | | | | | |
| Model No. | | | | | | |
| Total Cooling | | | | | | |
| Sensible Cooling | | | | | | |
| Air Ent. Evaporator | | | | | | |
| Air Lvg. Evaporator | | | | | | |
| Heating Input | | | | | | |
| Heating Output | | | | | | |
| CFM/ESP | | | | | | |
| EER/SEER | | | | | | |
| Electrical | | | | | | |
| Minimum Ampacity | | | | | | |
| Min.-Max. Breaker | | | | | | |
| Net Unit Weight | | | | | | |
| Accessory | | | | | | |
| Catalog Form Number | | | | | | |

ACCESSORIES:

NOTES:



SUBMITTAL SHEET FOR RGTM 95% A.F.U.E. WITH *DUAL COMFORT CONTROL*™ TWO-STAGE DOWNFLOW/HORIZONTAL GAS FURNACES

**Models with Input Rates of 60,000, 75,000, 90,000 & 105,000 BTU/HR
[17.58, 22, 26.38 & 30.77 kW]**

JOB NAME _____ MODEL NO. _____
 CONTRACTOR _____ OUTDOOR UNIT MODEL NO. _____
 ENGINEER _____ LOCATION _____
 SUBMITTED FOR APPROVAL RECORD ORDER NO. _____
 DATE _____

UNIT DATA

HEATING PERFORMANCE

TOTAL CAPACITY INPUT* _____ MBH [kW]
 TOTAL CAPACITY OUTPUT* .. _____ MBH [kW]
 DESIGN TEMP. RISE _____ °F [°C] DB
 AFUE _____ %
 CALIFORNIA SEASONAL EFFICIENCY _____ %
(*uses blower motor heat)

SUPPLY AIR BLOWER PERFORMANCE

TOTAL AIR SUPPLY _____ CFM [L/s]
 TOTAL RESISTANCE EXTERNAL TO UNIT _____ IWG
 BLOWER SPEED _____ RPM
 POWER OUTPUT REQUIREMENT .. _____ BHP
 MOTOR RATING _____ HP [W]
 POWER INPUT REQUIREMENT _____ kW

ELECTRICAL DATA

POWER SUPPLY _____ Hz
 TOTAL UNIT AMPACITY..... _____ AMPS
 MINIMUM WIRE SIZE _____ AWG
 MAXIMUM OVERCURRENT DEVICE FUSES/HACR BREAKER _____ AMPS

FEATURES FOR RGTM-

- Two stages of operation to save energy and maintain optimal comfort level.
- Furnace operates at 70% capacity for low-heat and 100% capacity for high-heat.
- Compatible with single or two-stage thermostat. (For optimal performance a two-stage thermostat is recommended.)
- Heat exchanger is constructed of all stainless steel for maximum corrosion resistance and thermal fatigue reliability.
- Low profile "34 inch" design is lighter and easier to handle and leaves room for optional accessories.
- Left or right side gas, electric, and condensate drainage connections.
- Integrated control board manages all operational functions and provides hookups for humidifier and electronic air cleaner.
- An insulated blower compartment, a slow-opening gas valve and a specially designed inducer system make it one of the quietest furnaces on the market today.
- Variable speed blower motor technology provides ultimate humidity control, quieter sound levels and year-round energy savings.
- Optional indoor or outdoor combustion air. In addition, combustion air may be piped to either the top or side of the cabinet on all downflow models. A special molded fitting is provided to ease installation.
- Control fuse protection.
- Solid bottom is standard.
- Control board diagnostics.

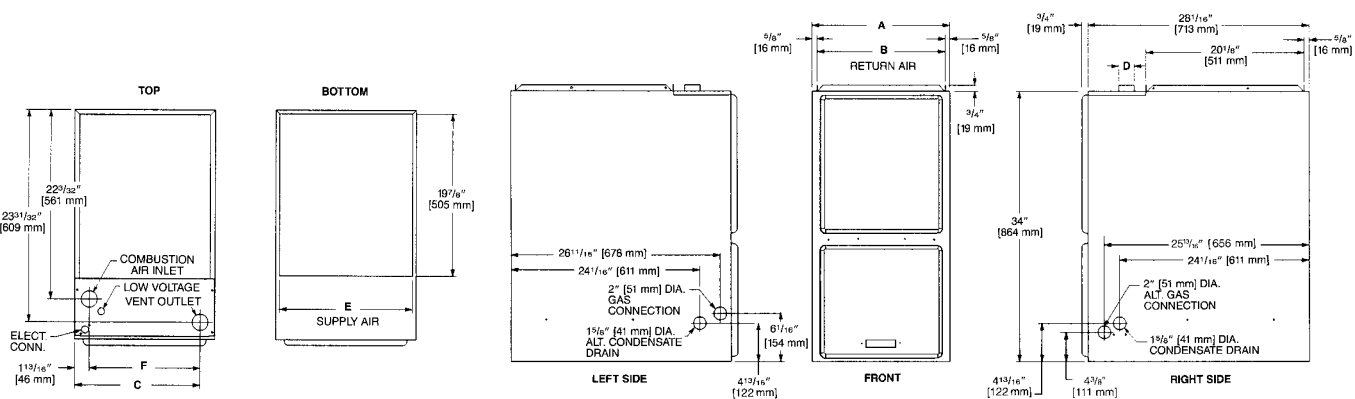
FIELD INSTALLED ACCESSORIES

- Plenum Adapter (RXAA-)
 Vent Termination Kits Concentric:
 Vertical/Horizontal: RXGY-E03A
 Horizontal Two Pipe: RXGY-D02, RXGY-D03, BXGY-D04
 Condensate Pump Kit: RXGY-B01
 Neutralizer Kit: RXGY-A01
 Fossil Fuel Kit: RXPFF-F01 and F02
 Return Air Plenum (RXGR-C17B, 21B, 24B)
 External Bottom Filter Rack: RXGF-CB
 External Side Filter Rack: RXGF-CA (Side) RXGF-CB (Bottom)

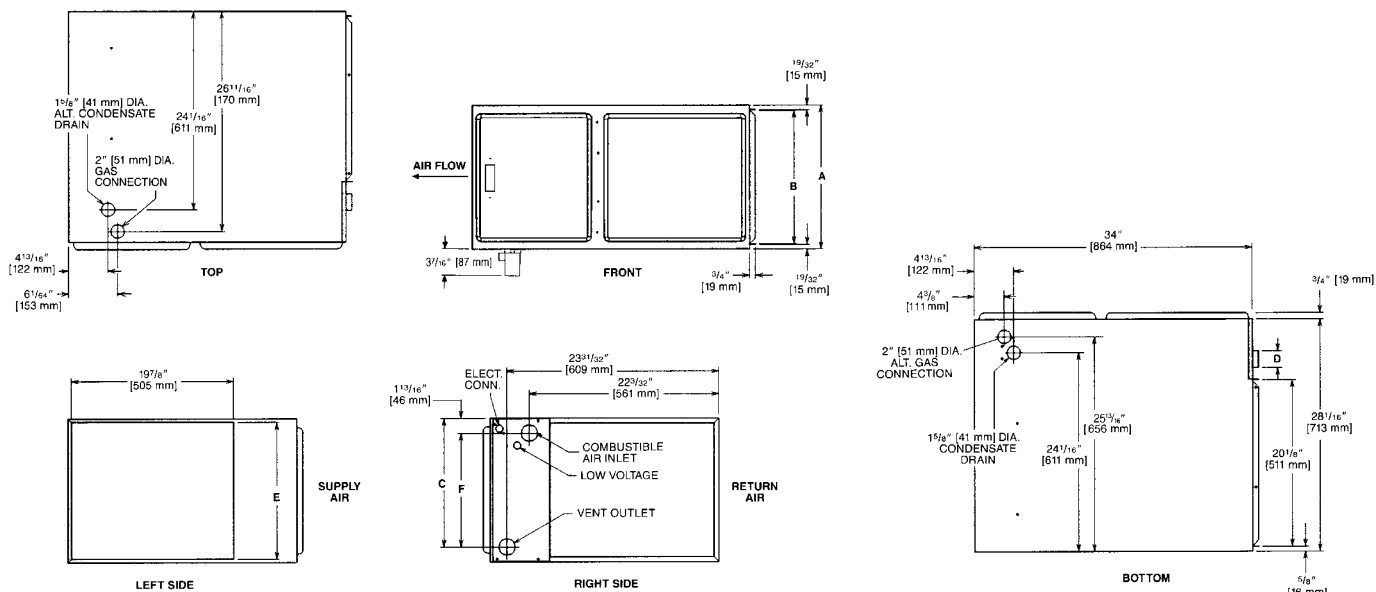


"Proper sizing and installation of equipment is critical to achieve optimal performance. Split system air conditioners and heat pumps must be matched with appropriate coil components to meet ENERGY STAR criteria. Ask your Contractor for details or visit www.energystar.gov."

DOWNFLOW MODELS



HORIZONTAL MODELS



| MODEL RGTM- | A | B | C | D | E | F | LEFT SIDE | MINIMUM CLEARANCE (IN.) [mm] | | | | | SHIP WGTS. [kg] |
|----------------|--------------------------------------|--|---------------------------------------|--------|--------------------------------------|--------------------------------------|--------------|------------------------------|------|--------|--------|------|-----------------------|
| | | | | | | | | RIGHT SIDE | BACK | TOP | FRONT | VENT | |
| 06 | 17 ¹ / ₂ [445] | 16 ¹¹ / ₃₂ [415] | 15 ⁵ / ₈ [397] | 2 [51] | 16 ⁵ / ₈ [422] | 13 ⁷ / ₈ [352] | 0 | 0 | 0 | 1 [25] | 2 [51] | 0 | 123 [56] |
| 07 | 21 [533] | 19 ²⁷ / ₃₂ [504] | 19 ³ / ₁₆ [486] | 2 [51] | 20 ¹ / ₈ [511] | 17 ³ / ₈ [441] | 0 | 0 | 0 | 1 [25] | 2 [51] | 0 | 123 [56] |
| 09 | 21 [533] | 19 ²⁷ / ₃₂ [504] | 19 ³ / ₁₆ [486] | 2 [51] | 20 ¹ / ₈ [511] | 17 ³ / ₈ [441] | 0 | 0 | 0 | 1 [25] | 2 [51] | 0 | 148 [67] |
| 10 | 24 ¹ / ₂ [621] | 23 ¹¹ / ₃₂ [593] | 22 ⁵ / ₈ [575] | 2 [51] | 23 ⁵ / ₈ [600] | 20 ⁷ / ₈ [530] | 0 | 0 | 0 | 1 [25] | 2 [51] | 0 | 165 [75] |

[] Designates Metric Conversions

IMPORTANT NOTE: Horizontal furnace may be installed for horizontal left hand air supply ONLY. The condensate trap provided for horizontal application must be installed in the field beneath the unit as directed in the furnace Installation & Operating Instructions.

Before proceeding with installation, refer to installation instructions packaged with each model, as well as complying with all Federal, State, Provincial, and Local codes, regulations, and practices.

Rheem Sales Company, Inc.
P.O. Box 17010, Fort Smith, AR 72917