



RELY ON RUUD.™

SUBMITTAL COVER SHEET

PROJECT NAME _____
LOCATION _____
ARCHITECT _____
ENGINEER _____
CONTRACTOR _____
SUBMITTED BY _____ DATE _____

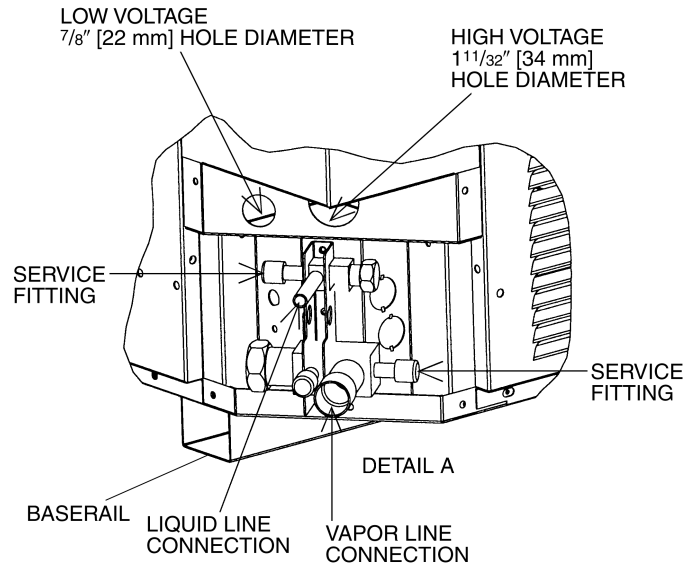
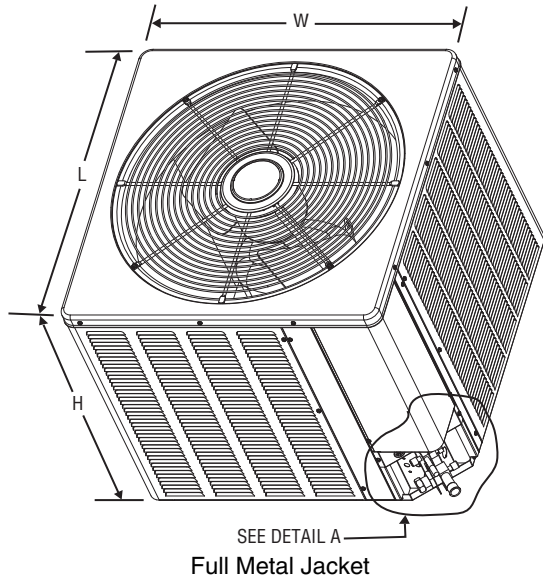
UNIT SUMMARY

Quantity						
Unit Designation						
Model No.						
Total Cooling						
Sensible Cooling						
Air Ent. Evaporator						
Air Lvg. Evaporator						
Heating Input						
Heating Output						
CFM/ESP						
EER/SEER						
Electrical						
Minimum Ampacity						
Min.-Max. Breaker						
Net Unit Weight						
Accessory						
Catalog Form Number						

ACCESSORIES:

NOTES:

16AJL 24, 36, 48, 60



Model No. 16AJL	Unit Dimensions		
	Width "W" Inches [mm]	Length "L" Inches [mm]	Height "H" Inches [mm]
18, 24	23 ⁵ / ₈ [600]	23 ⁵ / ₈ [600]	24 ¹ / ₄ [616]
30, 36, 42	27 ⁵ / ₈ [702]	27 ⁵ / ₈ [702]	24 ¹ / ₄ [616]
24	31 ⁵ / ₈ [803]	31 ⁵ / ₈ [803]	27 ³ / ₈ [695]
36, 48, 60	31 ⁵ / ₈ [803]	31 ⁵ / ₈ [803]	35 ³ / ₈ [899]

[] Designates Metric Conversions

Before proceeding with installation, refer to installation instructions packaged with each model, as well as complying with all Federal, State, Provincial, and Local codes, regulations, and practices.

"In keeping with its policy of continuous progress and product improvement, Manufacturer reserves the right to make changes without notice."