



Ruud Ultra™ RUTGH is a series of high-efficiency condensing tankless gas water heaters designed for continuous hot water

Efficiency

- .93 UEF with stainless steel condensing heat exchanger
- Intelligent electronic controls designed to increase energy efficiency and safety

Performance

- **Exclusive! Water Savings Setting** – upon activation, this setting can save homeowners up to 1,100 gallons of water per year¹ by decreasing the flow of water through the pipes until the temperature reaches the heater's set temperature
- **Industry Best! Low Flow Activation** – Minimum flow rate of .26 GPM and minimum activation flow rate of .40 GPM ensures the user will receive hot water even in low demand situations
- Recirculation Pump Kit-Ready – Quickly pairs with our Recirculation Pump kit to provide instantaneous hot water at the tap²

Easy Installation and Service

- Built-in condensate neutralizer
- 1/2" Gas line compatibility on every model³
- **Exclusive! Maintenance Notice Setting** – Alerts homeowner – flashing a warning code to call for service check
- Self-diagnostic system for easy installation and service
- Digital display shows temperature setting and maintenance codes
- High-altitude capability – up to 8,400 ft. elevation above sea level⁴

Technology

- EZ-Link™ cable available for higher demand applications to connect two tankless units to operate as one
- Manifold up to six units with an optional MIC-6 manifold control board
- Manifold up to 20 units with the optional MIC-185 plus the MICS-180 manifold control assembly

Low Emissions

- **Environmentally Friendly** ultra low NOx burner meets SCAQMD rule 1146.2 requirements

Safety

- **Exclusive! Guardian OFW™** overheat film wrap
- **Exclusive! Hot Start Programming** – Minimizes cold water bursts by staying in ready-fire state for back-to-back hot water needs

Plus...

- Digital remote control and 10 ft. of thermostat wire included
- Supplied with a 120-volt power cord (indoor models only)
- **Industry Best!** Freeze protection to -30°F
- EZ-Spec™ Sizing Software – advanced online tool that takes the guess work out of sizing tankless applications – available at www.ruud.com/tankless
- Maximum water temperature is 140°F. For higher temperature applications, upgrade kits are available

Warranty

- 12-Year heat exchanger – residential, 5-year heat exchanger – commercial, 5-year parts and 1-year labor
- See Warranty Certificate for complete information



RUTGH-DV
Indoor Direct Vent Model
11,000-199,900 Btu/h
Natural and LP Gas



RUTGH-X
Outdoor Model
11,000-199,900 Btu/h
Natural and LP Gas

¹Savings based on DOE test procedures.

²Pump kit designed for single unit applications only.

³Follow National Fuel Gas Code or local applicable codes.

⁴Contact customer service for exact altitude rating for each model.



LEED Points = 2



Ruud Ultra™ Specifications

DESCRIPTION				FEATURES					ROUGHING IN DIMENSIONS (SHOWN IN INCHES)					ENERGY INFO.			
MODEL NUMBER	GAS INPUT BTU/H	TYPE	NUMBER OF BATHROOMS*	TEMP. RANGE	MIN. FLOW/ACTIVATION GPM	GPM @ 67° RISE MAX.	GPM @ 45° RISE MAX.	MAX. GPM	CONNECTION		HEIGHT	WIDTH	DEPTH	VENT DIAM.	SHIP WEIGHT (LBS.)	ENERGY FACTOR	UNIFORM ENERGY FACTOR (UEF)
									WATER	GAS							
Ruud Ultra™ RUTGH-95																	
RUTGH-95DVLN-1	11,000-199,900	Indoor Direct Vent	4	85° to 140° F	0.26/0.40	5.7	8.5	9.5	3/4	3/4	27-1/2	18-1/2	9-3/4	2", 3" or 4" PVC 2-Pipe	82	0.96	0.93
RUTGH-95XLN-1	11,000-199,900	Outdoor	4	85° to 140° F	0.26/0.40	5.6	8.5	9.5	3/4	3/4	27-1/2	18-1/2	9-3/4	N/A	82	0.95	0.93
Ruud Ultra™ RUTGH-90																	
RUTGH-90DVLN-1	11,000-180,000	Indoor Direct Vent	3 - 4	85° to 140° F	0.26/0.40	5.2	7.7	9.0	3/4	3/4	27-1/2	18-1/2	9-3/4	2", 3" or 4" PVC 2-Pipe	82	0.96	0.93
RUTGH-90XLN-1	11,000-180,000	Outdoor	3 - 4	85° to 140° F	0.26/0.40	5.2	7.7	9.0	3/4	3/4	27-1/2	18-1/2	9-3/4	N/A	82	0.95	0.93
Ruud Ultra™ RUTGH-84																	
RUTGH-84DVLN-1	11,000-157,000	Indoor Direct Vent	3	85° to 140° F	0.26/0.40	4.6	6.7	8.4	3/4	3/4	27-1/2	18-1/2	9-3/4	2", 3" or 4" PVC 2-Pipe	82	0.96	0.93
RUTGH-84XLN-1	11,000-157,000	Outdoor	3	85° to 140° F	0.26/0.40	4.5	6.7	8.4	3/4	3/4	27-1/2	18-1/2	9-3/4	N/A	82	0.95	0.93

*Based on simultaneous showers using 2.5 GPM flow rate pre-mixed with cold water line. Flow rates vary depending on temperature of incoming cold water and water heater set temperature. Refer to flow rate curves for accurate sizing.

Uniform Energy Factor and Energy Factor based on Department of Energy (D.O.E.) requirements.

All models are available in Natural Gas and Propane (LP). For Propane replace the N with P when ordering. SCAQMD 1146.2 compliant.

Factory set maximum temperature is 120° F. See Use and Care Manual for setting.

Consult factory for information on sizing the application.

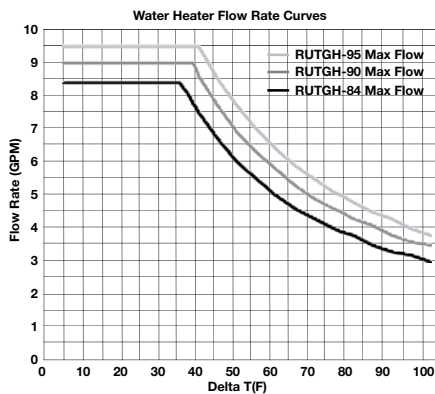
Vent Termination Kits are required for Direct Vent models. Contact your distributor for details.

Proper gas pressure must be ensured to supply tankless gas water heaters – up to 199,900 Btu/h for RUTGH-95 models, up to 180,000 Btu/h for RUTGH-90 models, up to 157,000 Btu/h for RUTGH-84 models. (Consult your gas supplier)

Temperature Rise (° F)

Model Number	35°	45°	50°	60°	67°	70°	80°	90°	100°
RUTGH-95 Water Flow (GPM)	9.5	8.5	7.7	6.4	5.7	5.5	4.8	4.3	3.8
RUTGH-90 Water Flow (GPM)	9.0	7.7	6.9	5.8	5.2	4.9	4.3	3.8	3.5
RUTGH-84 Water Flow (GPM)	8.4	6.7	6.0	5.0	4.6	4.3	3.8	3.3	3.0

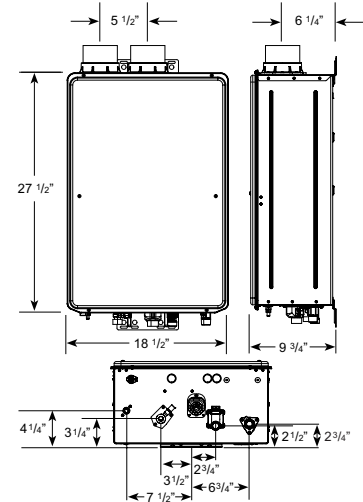
Above estimates are for sizing purposes only.



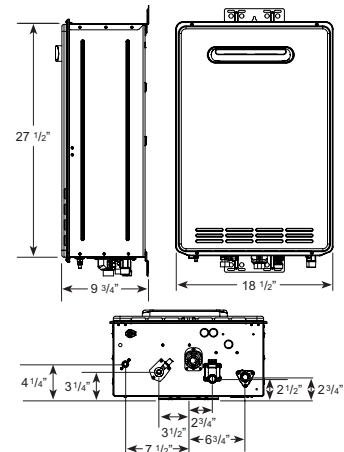
Maximum Vent Length (intake/outlet):

NUMBER OF 90° ELBOWS	MAXIMUM LENGTH OF 2" STRAIGHT PIPE	MAXIMUM LENGTH OF 3" STRAIGHT PIPE	MAXIMUM LENGTH OF 4" STRAIGHT PIPE
0 or 1	5.0 ft. (1.5 m)	38.0 ft. (11.6 m)	94.0 ft. (28.6 m)
2	3.5 ft. (1.0 m)	36.5 ft. (11.1 m)	88.0 ft. (26.8 m)
3	2.0 ft. (0.6 m)	35.0 ft. (10.6 m)	82.0 ft. (25.0 m)
4	Not Available	33.5 ft. (10.2 m)	76.0 ft. (23.2 m)
5	Not Available	32.0 ft. (9.8 m)	70.0 ft. (21.3 m)
6	Not Available	30.5 ft. (9.3 m)	64.0 ft. (19.5 m)

Indoor Direct Vent



Outdoor



Parts and Accessories

Venting & terminations – 2", 3" or 4" PVC, recess boxes, pipe covers, extra remote controls, EZ-Link™ cable, manifolds and cables, service valve kits, service parts, flush kits, recirculation pump kits and AllClear™ water treatment system. For more information on Tankless parts and accessories, see the Parts and Accessories Catalog or call 866-720-2076.

In keeping with its policy of continuous progress and product improvement, Ruud reserves the right to make changes without notice.