



Featuring  
New Industry Standard  
R-410A Refrigerant

**R-410A**



## 13 SEER CONDENSING UNITS

### Features

- Painted louvered steel cabinet
- Easily accessible control box
- Condenser coils constructed with copper tubing and enhanced aluminum fins
- Grille/Motor mount for quiet fan operation
- Bi-Directional Filter Drier (shipped – not installed)

### Applications

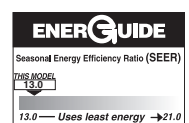
Outdoor condensing unit designed for ground level or rooftop installations. These units offer comfort and dependability for single, multi-family and light commercial applications.

### Accessories

- Low Pressure Control (RXAC-A07)
- High Pressure Control (RXAB-A07)
- Low Ambient Control (RXAD-A08)
- Compressor Time Delay Control
- Crankcase Heater
- Sound Enclosure



## 13AJL SERIES



# Model Number Identification

<b>13</b>	<b>A</b>	<b>J</b>	<b>L</b>	<b>18</b>	<b>A</b>	<b>01</b>
13 SEER	A = AIR CONDITIONER	VOLTAGE J = 208-230 SINGLE PHASE	DESIGN SERIES L = R-410A	NOMINAL COOLING CAPACITY 18 = 18,000 BTU/HR [5.28 kW] 24 = 24,000 BTU/HR [7.03 kW] 30 = 30,000 BTU/HR [8.79 kW] 36 = 36,000 BTU/HR [10.55 kW] 42 = 42,000 BTU/HR [12.31 kW] 48 = 48,000 BTU/HR [14.07 kW] 60 = 60,000 BTU/HR [17.58 kW]	CABINET A = FULL METAL JACKET	RHEEM VALUE SERIES

## Performance Data @ ARI Standard Conditions—Cooling

Model Numbers		80°F [26.5°C] DB/67°F [19.5°C] WB Indoor Air 95°F [35°C] DB Outdoor Air					Sound Rating dB	Indoor CFM [L/s]
Outdoor Unit 13AJL	Indoor Coil and/or Air Handler	Total Capacity BTU/H [kW]	Net Sensible BTU/H [kW]	Net Latent BTU/H [kW]	EER	SEER		
Rev. 7/29/09	RCFL-H*2417 ①	18,500 [5.4]	13,400 [3.9]	5,100 [1.5]	11.40	13.00	74	650 [307]
	RCFL-A*2414	18,500 [5.4]	13,400 [3.9]	5,100 [1.5]	11.40	13.00	74	650 [307]
	RCFL-A*2417	18,500 [5.4]	13,400 [3.9]	5,100 [1.5]	11.40	13.00	74	650 [307]
	RCFL-A*2417 (RGFD-06?MCK?)	18,700 [5.5]	13,400 [3.9]	5,300 [1.6]	12.00	14.50	74	600 [283]
	RCFL-A*2417 (RGFD-07?MCK?)	18,700 [5.5]	13,400 [3.9]	5,300 [1.6]	12.00	14.50	74	600 [283]
	RCFL-A*2417 (RGGD-06?MCK?)	18,800 [5.5]	13,450 [3.9]	5,350 [1.6]	12.50	15.00	74	600 [283]
	RCFL-A*2417 (RGGD-07?MCK?)	19,000 [5.6]	13,750 [4.0]	5,250 [1.5]	12.50	15.00	74	625 [295]
	RCFL-A*2417 (RGLR-07?AMK?)	18,800 [5.5]	13,450 [3.9]	5,350 [1.6]	12.50	15.00	74	600 [283]
	RCFL-A*2417 (RGPR-05?BMK?)	18,700 [5.5]	13,400 [3.9]	5,300 [1.6]	12.00	14.50	74	600 [283]
	RCFL-A*2417 (RGPR-07?AMK?)	18,800 [5.5]	13,450 [3.9]	5,350 [1.6]	12.50	15.00	74	600 [283]
	RCFL-A*2417 (RGRM-04?MAE?)	18,600 [5.4]	13,250 [3.9]	5,350 [1.6]	12.00	14.50	74	575 [271]
	RCFL-A*2417 (RGRM-06?MAE?)	18,800 [5.5]	13,450 [3.9]	5,350 [1.6]	12.00	14.50	74	600 [283]
	RCFL-A*2417 (RGRM-07?MAE?)	18,900 [5.5]	13,700 [4.0]	5,200 [1.5]	12.00	14.50	74	625 [295]
	RCFL-H*2414	18,500 [5.4]	13,400 [3.9]	5,100 [1.5]	11.40	13.00	74	650 [307]
18	RCFL-H*2417 (RGFD-06?MCK?)	18,700 [5.5]	13,400 [3.9]	5,300 [1.6]	12.00	14.50	74	600 [283]
	RCFL-H*2417 (RGFD-07?MCK?)	18,700 [5.5]	13,400 [3.9]	5,300 [1.6]	12.00	14.50	74	600 [283]
	RCFL-H*2417 (RGGD-06?MCK?)	18,800 [5.5]	13,450 [3.9]	5,350 [1.6]	12.50	15.00	74	600 [283]
	RCFL-H*2417 (RGGD-07?MCK?)	19,000 [5.6]	13,750 [4.0]	5,250 [1.5]	12.50	15.00	74	625 [295]
	RCFL-H*2417 (RGJD-06?MCK?)	18,800 [5.5]	13,450 [3.9]	5,350 [1.6]	12.50	15.00	74	600 [283]
	RCFL-H*2417 (RGJD-07?MCK?)	19,000 [5.6]	13,750 [4.0]	5,250 [1.5]	12.50	15.00	74	625 [295]
	RCFL-H*2417 (RGLR-07?AMK?)	18,800 [5.5]	13,450 [3.9]	5,350 [1.6]	12.50	15.00	74	600 [283]
	RCFL-H*2417 (RGPR-05?BMK?)	18,700 [5.5]	13,400 [3.9]	5,300 [1.6]	12.00	14.50	74	600 [283]
	RCFL-H*2417 (RGPR-07?AMK?)	18,800 [5.5]	13,450 [3.9]	5,350 [1.6]	12.50	15.00	74	600 [283]
	RCFL-H*2417 (RGRM-04?MAE?)	18,600 [5.4]	13,250 [3.9]	5,350 [1.6]	12.00	14.50	74	575 [271]
	RCFL-H*2417 (RGRM-06?MAE?)	18,800 [5.5]	13,450 [3.9]	5,350 [1.6]	12.00	14.50	74	600 [283]
	RCFL-H*2417 (RGRM-07?MAE?)	18,900 [5.5]	13,700 [4.0]	5,200 [1.5]	12.00	14.50	74	625 [295]
	RBHP-17 (RCHL-24A2)	18,200 [5.3]	13,050 [3.8]	5,150 [1.5]	12.40	14.00	74	600 [283]
	RCHL-24A2 (RGRM-04?MAE?)	18,500 [5.4]	12,750 [3.7]	5,750 [1.7]	12.00	14.50	74	575 [271]
RCHL-24A2 (RGRM-06?MAE?)	18,500 [5.4]	12,750 [3.7]	5,750 [1.7]	12.00	14.50	74	600 [283]	
RCHL-24A2 (RGRM-07?MAE?)	18,400 [5.4]	12,650 [3.7]	5,750 [1.7]	12.00	14.50	74	625 [295]	
RHLL-HM2417 (RCSL-H*2417)	18,800 [5.5]	13,600 [4.0]	5,200 [1.5]	12.70	14.00	74	600 [283]	
RHSL-HM1817 (RCSL-H*2417)	18,500 [5.4]	13,400 [3.9]	5,100 [1.5]	11.85	13.00	74	600 [283]	
24	RCFL-H*2417 ①	24,200 [7.1]	17,450 [5.1]	6,750 [2.0]	11.15	13.00	74	800 [378]
	RCFL-A*2414	24,200 [7.1]	17,450 [5.1]	6,750 [2.0]	11.15	13.00	74	800 [378]
	RCFL-A*2417	24,200 [7.1]	17,450 [5.1]	6,750 [2.0]	11.15	13.00	74	800 [378]
	RCFL-A*2417 (RGFD-06?MCK?)	24,400 [7.1]	17,600 [5.2]	6,800 [2.0]	11.50	14.00	74	800 [378]
	RCFL-A*2417 (RGFD-07?MCK?)	24,400 [7.1]	17,550 [5.1]	6,850 [2.0]	11.50	14.00	74	800 [378]

① Highest sales volume tested combination required by D.O.E. test procedures.

[ ] Designates Metric Conversions

# Performance Data @ ARI Standard Conditions—Cooling (con't.)

Model Numbers		80°F [26.5°C] DB/67°F [19.5°C] WB Indoor Air 95°F [35°C] DB Outdoor Air					Sound Rating dB	Indoor CFM [L/s]
Outdoor Unit 13AJL	Indoor Coil and/or Air Handler	Total Capacity BTU/H [kW]	Net Sensible BTU/H [kW]	Net Latent BTU/H [kW]	EER	SEER		
Rev. 7/29/09	RCFL-A*2417 (RGGD-06?MCK?)	24,600 [7.2]	17,750 [5.2]	6,850 [2.0]	11.50	14.00	74	800 [378]
	RCFL-A*2417 (RGGD-07?MCK?)	24,600 [7.2]	17,750 [5.2]	6,850 [2.0]	11.50	14.00	74	800 [378]
	RCFL-A*2417 (RGLR-07?AMK?)	24,600 [7.2]	17,750 [5.2]	6,850 [2.0]	12.00	14.50	74	800 [378]
	RCFL-A*2417 (RGPR-05?BMK?)	24,400 [7.1]	17,550 [5.1]	6,850 [2.0]	11.50	14.00	74	775 [366]
	RCFL-A*2417 (RGPR-07?AMK?)	24,600 [7.2]	17,750 [5.2]	6,850 [2.0]	12.00	14.50	74	800 [378]
	RCFL-A*2417 (RGRM-04?MAE?)	24,400 [7.1]	17,550 [5.1]	6,850 [2.0]	11.50	14.00	74	800 [378]
	RCFL-A*2417 (RGRM-06?MAE?)	24,400 [7.1]	17,550 [5.1]	6,850 [2.0]	11.50	14.00	74	825 [389]
	RCFL-A*2417 (RGRM-07?MAE?)	24,600 [7.2]	17,950 [5.3]	6,650 [1.9]	11.00	13.50	74	850 [401]
	RCFL-H*2414	24,200 [7.1]	17,450 [5.1]	6,750 [2.0]	11.15	13.00	74	800 [378]
	RCFL-H*2417 (RGFD-06?MCK?)	24,400 [7.1]	17,600 [5.2]	6,800 [2.0]	11.50	14.00	74	800 [378]
	RCFL-H*2417 (RGFD-07?MCK?)	24,400 [7.1]	17,550 [5.1]	6,850 [2.0]	11.50	14.00	74	800 [378]
	RCFL-H*2417 (RGGD-06?MCK?)	24,600 [7.2]	17,750 [5.2]	6,850 [2.0]	11.50	14.00	74	800 [378]
	RCFL-H*2417 (RGGD-07?MCK?)	24,600 [7.2]	17,750 [5.2]	6,850 [2.0]	11.50	14.00	74	800 [378]
	RCFL-H*2417 (RGJD-06?MCK?)	24,600 [7.2]	17,750 [5.2]	6,850 [2.0]	11.50	14.00	74	800 [378]
	RCFL-H*2417 (RGJD-07?MCK?)	24,600 [7.2]	17,750 [5.2]	6,850 [2.0]	11.50	14.00	74	800 [378]
	RCFL-H*2417 (RGLR-07?AMK?)	24,600 [7.2]	17,750 [5.2]	6,850 [2.0]	12.00	14.50	74	800 [378]
	RCFL-H*2417 (RGPR-05?BMK?)	24,400 [7.1]	17,550 [5.1]	6,850 [2.0]	11.50	14.00	74	775 [366]
	RCFL-H*2417 (RGPR-07?AMK?)	24,600 [7.2]	17,750 [5.2]	6,850 [2.0]	12.00	14.50	74	800 [378]
	RCFL-H*2417 (RGRM-04?MAE?)	24,400 [7.1]	17,550 [5.1]	6,850 [2.0]	11.50	14.00	74	800 [378]
	RCFL-H*2417 (RGRM-06?MAE?)	24,400 [7.1]	17,550 [5.1]	6,850 [2.0]	11.50	14.00	74	825 [389]
	RCFL-H*2417 (RGRM-07?MAE?)	24,600 [7.2]	17,950 [5.3]	6,650 [1.9]	11.00	13.50	74	850 [401]
	RCHL-24A2	23,200 [6.8]	16,250 [4.8]	6,950 [2.0]	10.60	13.00	74	800 [378]
	RBHP-17 (RCHL-24A2)	23,600 [6.9]	16,750 [4.9]	6,850 [2.0]	11.50	14.00	74	800 [378]
	RCHL-24A2 (RGRM-04?MAE?)	23,600 [6.9]	16,500 [4.8]	7,100 [2.1]	11.50	14.00	74	800 [378]
RCHL-24A2 (RGRM-06?MAE?)	23,600 [6.9]	16,500 [4.8]	7,100 [2.1]	11.50	14.00	74	825 [389]	
RCHL-24A2 (RGRM-07?MAE?)	23,600 [6.9]	16,650 [4.9]	6,950 [2.0]	11.00	14.00	74	850 [401]	
RHLL-HM2417 (RCSL-H*2417)	24,800 [7.3]	17,850 [5.2]	6,950 [2.0]	12.60	14.00	74	775 [366]	
RHSL-HM2417 (RCSL-H*2417)	24,200 [7.1]	17,500 [5.1]	6,700 [2.0]	11.45	13.00	74	800 [378]	
24	RCFL-H*3617 ①	29,600 [8.7]	22,500 [6.6]	7,100 [2.1]	11.55	13.00	73	1,000 [472]
	RCFL-A*3617	29,600 [8.7]	22,500 [6.6]	7,100 [2.1]	11.55	13.00	73	1,000 [472]
	RCFL-A*3617 (RGFD-06?MCK?)	29,800 [8.7]	22,650 [6.6]	7,150 [2.1]	11.50	13.50	73	1,000 [472]
	RCFL-A*3617 (RGFD-07?MCK?)	30,000 [8.8]	22,800 [6.7]	7,200 [2.1]	11.75	14.00	73	1,000 [472]
	RCFL-A*3617 (RGGD-06?MCK?)	30,000 [8.8]	22,800 [6.7]	7,200 [2.1]	11.75	14.00	73	1,000 [472]
	RCFL-A*3617 (RGGD-07?MCK?)	29,800 [8.7]	22,650 [6.6]	7,150 [2.1]	11.75	14.00	73	1,025 [484]
	RCFL-A*3617 (RGLR-07?AMK?)	30,000 [8.8]	22,800 [6.7]	7,200 [2.1]	11.75	14.00	73	1,025 [484]
	RCFL-A*3617 (RGPR-05?BMK?)	29,800 [8.7]	22,650 [6.6]	7,150 [2.1]	11.75	14.00	73	1,000 [472]
	RCFL-A*3617 (RGPR-07?AMK?)	30,000 [8.8]	22,800 [6.7]	7,200 [2.1]	11.75	14.00	73	1,000 [472]
	RCFL-A*3617 (RGRM-06?MAE?)	29,800 [8.7]	22,650 [6.6]	7,150 [2.1]	11.50	14.00	73	1,000 [472]
	RCFL-A*3617 (RGRM-07?MAE?)	29,200 [8.6]	21,450 [6.3]	7,750 [2.3]	11.50	14.00	73	850 [401]
	RCFL-A*3621	29,600 [8.7]	22,500 [6.6]	7,100 [2.1]	11.55	13.00	73	1,000 [472]
	RCFL-A*3621 (RGFD-06?MCK?)	29,800 [8.7]	22,650 [6.6]	7,150 [2.1]	11.50	13.50	73	1,000 [472]
	RCFL-A*3621 (RGFD-07?MCK?)	30,000 [8.8]	22,800 [6.7]	7,200 [2.1]	11.75	14.00	73	1,000 [472]
	RCFL-A*3621 (RGGD-06?MCK?)	30,000 [8.8]	22,800 [6.7]	7,200 [2.1]	11.75	14.00	73	1,000 [472]
	RCFL-A*3621 (RGGD-07?MCK?)	30,000 [8.8]	22,800 [6.7]	7,200 [2.1]	11.75	14.00	73	1,025 [484]
	RCFL-A*3621 (RGLR-07?AMK?)	30,200 [8.8]	23,000 [6.7]	7,200 [2.1]	12.00	14.50	73	1,025 [484]
	RCFL-A*3621 (RGLR-07?BRQ?)	30,200 [8.8]	22,950 [6.7]	7,250 [2.1]	12.00	14.50	73	1,000 [472]
	RCFL-A*3621 (RGPR-05?BMK?)	30,000 [8.8]	22,850 [6.7]	7,150 [2.1]	11.75	14.00	73	1,000 [472]
	RCFL-A*3621 (RGPR-07?AMK?)	30,000 [8.8]	22,800 [6.7]	7,200 [2.1]	11.75	14.00	73	1,000 [472]
	RCFL-A*3621 (RGPR-07?BRQ?)	30,200 [8.8]	22,950 [6.7]	7,250 [2.1]	12.00	14.50	73	1,000 [472]
	RCFL-A*3621 (RGRM-07?MAE?)	29,400 [8.6]	21,650 [6.3]	7,750 [2.3]	11.50	14.00	73	850 [401]
	RCFL-A*3621 (RGRM-07?YBG?)	29,800 [8.7]	22,650 [6.6]	7,150 [2.1]	11.00	13.50	73	975 [460]
	RCFL-H*3617 (RGFD-06?MCK?)	29,800 [8.7]	22,650 [6.6]	7,150 [2.1]	11.50	13.50	73	1,000 [472]
RCFL-H*3617 (RGFD-07?MCK?)	30,000 [8.8]	22,800 [6.7]	7,200 [2.1]	11.75	14.00	73	1,000 [472]	

① Highest sales volume tested combination required by D.O.E. test procedures.

[ ] Designates Metric Conversions

# Performance Data @ ARI Standard Conditions—Cooling (con't.)

Model Numbers		80°F [26.5°C] DB/67°F [19.5°C] WB Indoor Air 95°F [35°C] DB Outdoor Air					Sound Rating dB	Indoor CFM [L/s]
Outdoor Unit 13AJL	Indoor Coil and/or Air Handler	Total Capacity BTU/H [kW]	Net Sensible BTU/H [kW]	Net Latent BTU/H [kW]	EER	SEER		
Rev. 7/29/09	RCFL-H*3617 (RGGD-06?MCK?)	30,000 [8.8]	22,800 [6.7]	7,200 [2.1]	11.75	14.00	73	1,000 [472]
	RCFL-H*3617 (RGGD-07?MCK?)	29,800 [8.7]	22,650 [6.6]	7,150 [2.1]	11.75	14.00	73	1,025 [484]
	RCFL-H*3617 (RGJD-06?MCK?)	30,000 [8.8]	22,800 [6.7]	7,200 [2.1]	11.75	14.00	73	1,000 [472]
	RCFL-H*3617 (RGJD-07?MCK?)	29,800 [8.7]	22,650 [6.6]	7,150 [2.1]	11.75	14.00	73	1,025 [484]
	RCFL-H*3617 (RGLR-07?AMK?)	30,000 [8.8]	22,800 [6.7]	7,200 [2.1]	11.75	14.00	73	1,025 [484]
	RCFL-H*3617 (RGPR-05?BMK?)	29,800 [8.7]	22,650 [6.6]	7,150 [2.1]	11.75	14.00	73	1,000 [472]
	RCFL-H*3617 (RGPR-07?AMK?)	30,000 [8.8]	22,800 [6.7]	7,200 [2.1]	11.75	14.00	73	1,000 [472]
	RCFL-H*3617 (RGRM-06?MAE?)	29,800 [8.7]	22,650 [6.6]	7,150 [2.1]	11.50	14.00	73	1,000 [472]
	RCFL-H*3617 (RGRM-07?MAE?)	29,200 [8.6]	21,450 [6.3]	7,750 [2.3]	11.50	14.00	73	850 [401]
	RCFL-H*3621	29,600 [8.7]	22,500 [6.6]	7,100 [2.1]	11.55	13.00	73	1,000 [472]
	RCFL-H*3621 (RGFD-06?MCK?)	29,800 [8.7]	22,650 [6.6]	7,150 [2.1]	11.50	13.50	73	1,000 [472]
	RCFL-H*3621 (RGFD-07?MCK?)	30,000 [8.8]	22,800 [6.7]	7,200 [2.1]	11.75	14.00	73	1,000 [472]
	RCFL-H*3621 (RGGD-06?MCK?)	30,000 [8.8]	22,800 [6.7]	7,200 [2.1]	11.75	14.00	73	1,000 [472]
	RCFL-H*3621 (RGGD-07?MCK?)	30,000 [8.8]	22,800 [6.7]	7,200 [2.1]	11.75	14.00	73	1,025 [484]
	RCFL-H*3621 (RGJD-06?MCK?)	30,000 [8.8]	22,800 [6.7]	7,200 [2.1]	11.75	14.00	73	1,000 [472]
	RCFL-H*3621 (RGJD-07?MCK?)	30,000 [8.8]	22,800 [6.7]	7,200 [2.1]	11.75	14.00	73	1,025 [484]
	RCFL-H*3621 (RGLR-07?AMK?)	30,200 [8.8]	23,000 [6.7]	7,200 [2.1]	12.00	14.50	73	1,025 [484]
	RCFL-H*3621 (RGLR-07?BRQ?)	30,200 [8.8]	22,950 [6.7]	7,250 [2.1]	12.00	14.50	73	1,000 [472]
	RCFL-H*3621 (RGPR-05?BMK?)	30,000 [8.8]	22,850 [6.7]	7,150 [2.1]	11.75	14.00	73	1,000 [472]
	RCFL-H*3621 (RGPR-07?AMK?)	30,000 [8.8]	22,800 [6.7]	7,200 [2.1]	11.75	14.00	73	1,000 [472]
	RCFL-H*3621 (RGPR-07?BRQ?)	30,200 [8.8]	22,950 [6.7]	7,250 [2.1]	12.00	14.50	73	1,000 [472]
	RCFL-H*3621 (RGRM-07?MAE?)	29,400 [8.6]	21,650 [6.3]	7,750 [2.3]	11.50	14.00	73	850 [401]
	RCFL-H*3621 (RGRM-07?YBG?)	29,800 [8.7]	22,650 [6.6]	7,150 [2.1]	11.00	13.50	73	975 [460]
	RCHL-36A1	28,400 [8.3]	20,950 [6.1]	7,450 [2.2]	11.10	13.00	73	1,000 [472]
	RBHP-21 (RCHL-36A1)	29,200 [8.6]	21,700 [6.4]	7,500 [2.2]	12.35	14.00	73	1,000 [472]
	RCHL-36A1 (RGRM-04?MAE?)	28,400 [8.3]	20,950 [6.1]	7,450 [2.2]	11.00	13.50	73	1,025 [484]
	RCHL-36A1 (RGRM-06?MAE?)	28,400 [8.3]	20,950 [6.1]	7,450 [2.2]	11.00	13.50	73	1,000 [472]
	RCHL-36A1 (RGRM-07?MAE?)	28,200 [8.3]	20,800 [6.1]	7,400 [2.2]	11.00	13.00	73	1,025 [484]
RCHL-36A1 (RGRM-07?YBG?)	28,400 [8.3]	20,950 [6.1]	7,450 [2.2]	11.00	13.50	73	975 [460]	
RHLL-HM3617 (RCSL-H*3617)	30,200 [8.8]	23,050 [6.8]	7,150 [2.1]	12.70	14.00	73	1,000 [472]	
RHSL-HM3017 (RCSL-H*3617)	29,600 [8.7]	22,550 [6.6]	7,050 [2.1]	11.90	13.00	73	950 [448]	
30	RCFL-H*3617 ①	34,800 [10.2]	25,250 [7.4]	9,550 [2.8]	11.50	13.00	75	1,050 [495]
	RCFL-A*3617	34,800 [10.2]	25,250 [7.4]	9,550 [2.8]	11.50	13.00	75	1,050 [495]
	RCFL-A*3617 (RGFD-06?MCK?)	34,800 [10.2]	24,950 [7.3]	9,850 [2.9]	11.50	13.50	75	1,000 [472]
	RCFL-A*3617 (RGFD-07?MCK?)	35,000 [10.3]	25,150 [7.4]	9,850 [2.9]	11.50	14.00	75	1,000 [472]
	RCFL-A*3617 (RGGD-06?MCK?)	35,000 [10.3]	25,100 [7.4]	9,900 [2.9]	11.50	14.00	75	1,000 [472]
	RCFL-A*3617 (RGGD-07?MCK?)	35,200 [10.3]	25,550 [7.5]	9,650 [2.8]	11.50	14.00	75	1,025 [484]
	RCFL-A*3617 (RGLR-07?AMK?)	35,400 [10.4]	25,700 [7.5]	9,700 [2.8]	12.00	14.50	75	1,025 [484]
	RCFL-A*3617 (RGPR-05?BMK?)	34,800 [10.2]	24,950 [7.3]	9,850 [2.9]	11.50	14.00	75	1,000 [472]
	RCFL-A*3617 (RGPR-07?AMK?)	35,000 [10.3]	25,100 [7.4]	9,900 [2.9]	11.50	14.00	75	1,000 [472]
	RCFL-A*3617 (RGRM-04?MAE?)	35,200 [10.3]	25,550 [7.5]	9,650 [2.8]	11.00	13.50	75	1,025 [484]
	RCFL-A*3617 (RGRM-06?MAE?)	34,800 [10.2]	24,950 [7.3]	9,850 [2.9]	11.50	14.00	75	1,000 [472]
	RCFL-A*3621	34,800 [10.2]	25,250 [7.4]	9,550 [2.8]	11.50	13.00	75	1,050 [495]
	RCFL-A*3621 (RGFD-06?MCK?)	34,800 [10.2]	24,950 [7.3]	9,850 [2.9]	11.50	13.50	75	1,000 [472]
	RCFL-A*3621 (RGFD-07?MCK?)	35,000 [10.3]	25,100 [7.4]	9,900 [2.9]	11.50	14.00	75	1,000 [472]
	RCFL-A*3621 (RGFD-09?ZCM?)	35,800 [10.5]	26,600 [7.8]	9,200 [2.7]	11.50	14.00	75	1,150 [543]
	RCFL-A*3621 (RGFD-10?ZCM?)	35,800 [10.5]	26,700 [7.8]	9,100 [2.7]	11.50	14.00	75	1,175 [554]
	RCFL-A*3621 (RGGD-06?MCK?)	35,000 [10.3]	25,100 [7.4]	9,900 [2.9]	11.50	14.00	75	1,000 [472]
	RCFL-A*3621 (RGGD-07?MCK?)	35,200 [10.3]	25,550 [7.5]	9,650 [2.8]	11.50	14.00	75	1,025 [484]
	RCFL-A*3621 (RGGD-09?ZCM?)	36,000 [10.5]	26,900 [7.9]	9,100 [2.7]	11.50	14.00	75	1,175 [554]
	RCFL-A*3621 (RGGD-10?ZCM?)	36,000 [10.5]	26,900 [7.9]	9,100 [2.7]	11.50	14.00	75	1,175 [554]
	RCFL-A*3621 (RGLR-07?AMK?)	35,400 [10.4]	25,700 [7.5]	9,700 [2.8]	12.00	14.50	75	1,025 [484]
	RCFL-A*3621 (RGLR-07?BRQ?)	35,200 [10.3]	25,250 [7.4]	9,950 [2.9]	12.00	14.50	75	1,000 [472]

① Highest sales volume tested combination required by D.O.E. test procedures.

[ ] Designates Metric Conversions

# Performance Data @ ARI Standard Conditions—Cooling (con't.)

Model Numbers		80°F [26.5°C] DB/67°F [19.5°C] WB Indoor Air 95°F [35°C] DB Outdoor Air					Sound Rating dB	Indoor CFM [L/s]
Outdoor Unit 13AJL	Indoor Coil and/or Air Handler	Total Capacity BTU/H [kW]	Net Sensible BTU/H [kW]	Net Latent BTU/H [kW]	EER	SEER		
Rev. 7/29/09	RCFL-A*3621 (RGLR-10?BRM?)	36,200 [10.6]	27,200 [8.0]	9,000 [2.6]	12.00	14.50	75	1,200 [566]
	RCFL-A*3621 (RGPR-05?BMK?)	35,000 [10.3]	25,150 [7.4]	9,850 [2.9]	11.50	14.00	75	1,000 [472]
	RCFL-A*3621 (RGPR-07?AMK?)	35,000 [10.3]	25,100 [7.4]	9,900 [2.9]	11.50	14.00	75	1,000 [472]
	RCFL-A*3621 (RGPR-07?BRQ?)	36,200 [10.6]	27,150 [8.0]	9,050 [2.7]	12.00	14.50	75	1,200 [566]
	RCFL-A*3621 (RGRM-04?MAE?)	35,200 [10.3]	25,550 [7.5]	9,650 [2.8]	11.50	14.00	75	1,025 [484]
	RCFL-A*3621 (RGRM-06?MAE?)	35,000 [10.3]	25,150 [7.4]	9,850 [2.9]	11.50	14.00	75	1,000 [472]
	RCFL-A*3621 (RGRM-07?YBG?)	34,600 [10.1]	24,650 [7.2]	9,950 [2.9]	11.00	13.50	75	975 [460]
	RCFL-A*3621 (RGRM-10?ZAJ?)	35,600 [10.4]	26,400 [7.7]	9,200 [2.7]	11.50	14.00	75	1,150 [543]
	RCFL-H*3617 (RGFD-06?MCK?)	34,800 [10.2]	24,950 [7.3]	9,850 [2.9]	11.50	13.50	75	1,000 [472]
	RCFL-H*3617 (RGFD-07?MCK?)	35,000 [10.3]	25,150 [7.4]	9,850 [2.9]	11.50	14.00	75	1,000 [472]
	RCFL-H*3617 (RGGD-06?MCK?)	35,000 [10.3]	25,100 [7.4]	9,900 [2.9]	11.50	14.00	75	1,000 [472]
	RCFL-H*3617 (RGGD-07?MCK?)	35,200 [10.3]	25,550 [7.5]	9,650 [2.8]	11.50	14.00	75	1,025 [484]
	RCFL-H*3617 (RGJD-06?MCK?)	35,000 [10.3]	25,100 [7.4]	9,900 [2.9]	11.50	14.00	75	1,000 [472]
	RCFL-H*3617 (RGJD-07?MCK?)	35,200 [10.3]	25,550 [7.5]	9,650 [2.8]	11.50	14.00	75	1,025 [484]
	RCFL-H*3617 (RGLR-07?AMK?)	35,400 [10.4]	25,700 [7.5]	9,700 [2.8]	12.00	14.50	75	1,025 [484]
	RCFL-H*3617 (RGPR-05?BMK?)	34,800 [10.2]	24,950 [7.3]	9,850 [2.9]	11.50	14.00	75	1,000 [472]
	RCFL-H*3617 (RGPR-07?AMK?)	35,000 [10.3]	25,100 [7.4]	9,900 [2.9]	11.50	14.00	75	1,000 [472]
	RCFL-H*3617 (RGRM-04?MAE?)	35,200 [10.3]	25,550 [7.5]	9,650 [2.8]	11.00	13.50	75	1,025 [484]
	RCFL-H*3617 (RGRM-06?MAE?)	34,800 [10.2]	24,950 [7.3]	9,850 [2.9]	11.50	14.00	75	1,000 [472]
	RCFL-H*3621	34,800 [10.2]	25,250 [7.4]	9,550 [2.8]	11.50	13.00	75	1,050 [495]
	RCFL-H*3621 (RGFD-06?MCK?)	34,800 [10.2]	24,950 [7.3]	9,850 [2.9]	11.50	13.50	75	1,000 [472]
	RCFL-H*3621 (RGFD-07?MCK?)	35,000 [10.3]	25,100 [7.4]	9,900 [2.9]	11.50	14.00	75	1,000 [472]
	RCFL-H*3621 (RGFD-09?ZCM?)	35,800 [10.5]	26,600 [7.8]	9,200 [2.7]	11.50	14.00	75	1,150 [543]
	RCFL-H*3621 (RGFD-10?ZCM?)	35,800 [10.5]	26,700 [7.8]	9,100 [2.7]	11.50	14.00	75	1,175 [554]
	RCFL-H*3621 (RGGD-06?MCK?)	35,000 [10.3]	25,100 [7.4]	9,900 [2.9]	11.50	14.00	75	1,000 [472]
	RCFL-H*3621 (RGGD-07?MCK?)	35,200 [10.3]	25,550 [7.5]	9,650 [2.8]	11.50	14.00	75	1,025 [484]
	RCFL-H*3621 (RGGD-09?ZCM?)	36,000 [10.5]	26,900 [7.9]	9,100 [2.7]	11.50	14.00	75	1,175 [554]
	RCFL-H*3621 (RGGD-10?ZCM?)	36,000 [10.5]	26,900 [7.9]	9,100 [2.7]	11.50	14.00	75	1,175 [554]
	RCFL-H*3621 (RGJD-06?MCK?)	35,000 [10.3]	25,100 [7.4]	9,900 [2.9]	11.50	14.00	75	1,000 [472]
	RCFL-H*3621 (RGJD-07?MCK?)	35,200 [10.3]	25,550 [7.5]	9,650 [2.8]	11.50	14.00	75	1,025 [484]
	RCFL-H*3621 (RGJD-09?ZCM?)	36,000 [10.5]	26,900 [7.9]	9,100 [2.7]	11.50	14.00	75	1,175 [554]
	RCFL-H*3621 (RGJD-10?ZCM?)	36,000 [10.5]	26,900 [7.9]	9,100 [2.7]	11.50	14.00	75	1,175 [554]
	RCFL-H*3621 (RGLR-07?AMK?)	35,400 [10.4]	25,700 [7.5]	9,700 [2.8]	12.00	14.50	75	1,025 [484]
RCFL-H*3621 (RGLR-07?BRQ?)	35,200 [10.3]	25,250 [7.4]	9,950 [2.9]	12.00	14.50	75	1,000 [472]	
RCFL-H*3621 (RGLR-10?BRM?)	36,200 [10.6]	27,200 [8.0]	9,000 [2.6]	12.00	14.50	75	1,200 [566]	
RCFL-H*3621 (RGPR-05?BMK?)	35,000 [10.3]	25,150 [7.4]	9,850 [2.9]	11.50	14.00	75	1,000 [472]	
RCFL-H*3621 (RGPR-07?AMK?)	35,000 [10.3]	25,100 [7.4]	9,900 [2.9]	11.50	14.00	75	1,000 [472]	
RCFL-H*3621 (RGPR-07?BRQ?)	36,200 [10.6]	27,150 [8.0]	9,050 [2.7]	12.00	14.50	75	1,200 [566]	
RCFL-H*3621 (RGRM-04?MAE?)	35,200 [10.3]	25,550 [7.5]	9,650 [2.8]	11.50	14.00	75	1,025 [484]	
RCFL-H*3621 (RGRM-06?MAE?)	35,000 [10.3]	25,150 [7.4]	9,850 [2.9]	11.50	14.00	75	1,000 [472]	
RCFL-H*3621 (RGRM-07?YBG?)	34,600 [10.1]	24,650 [7.2]	9,950 [2.9]	11.00	13.50	75	975 [460]	
RCFL-H*3621 (RGRM-10?ZAJ?)	35,600 [10.4]	26,400 [7.7]	9,200 [2.7]	11.50	14.00	75	1,150 [543]	
RCHL-36A1	34,200 [10.0]	24,950 [7.3]	9,250 [2.7]	11.15	13.00	75	1,200 [566]	
RBHP-21 (RCHL-36A1)	35,000 [10.3]	25,500 [7.5]	9,500 [2.8]	12.20	14.00	75	1,225 [578]	
RCHL-36A1 (RGRM-04?MAE?)	34,200 [10.0]	24,900 [7.3]	9,300 [2.7]	11.00	13.00	75	1,200 [566]	
RCHL-36A1 (RGRM-06?MAE?)	34,200 [10.0]	24,900 [7.3]	9,300 [2.7]	11.00	13.00	75	1,175 [554]	
RCHL-36A1 (RGRM-09?ZAJ?)	34,600 [10.1]	25,200 [7.4]	9,400 [2.8]	11.00	13.50	75	1,225 [578]	
RCHL-36A1 (RGRM-10?ZAJ?)	34,400 [10.1]	24,750 [7.3]	9,650 [2.8]	11.00	13.50	75	1,150 [543]	
RCHL-36A2	34,200 [10.0]	24,950 [7.3]	9,250 [2.7]	11.15	13.00	75	1,200 [566]	
RCHL-36A2 (RGRM-04?MAE?)	34,200 [10.0]	24,900 [7.3]	9,300 [2.7]	11.00	13.00	75	1,200 [566]	
RCHL-36A2 (RGRM-06?MAE?)	34,200 [10.0]	24,900 [7.3]	9,300 [2.7]	11.00	13.00	75	1,175 [554]	
RCHL-36A2 (RGRM-09?ZAJ?)	34,600 [10.1]	25,200 [7.4]	9,400 [2.8]	11.00	13.50	75	1,225 [578]	
RCHL-36A2 (RGRM-10?ZAJ?)	34,400 [10.1]	24,750 [7.3]	9,650 [2.8]	11.00	13.50	75	1,150 [543]	

Ⓞ Highest sales volume tested combination required by D.O.E. test procedures.

[ ] Designates Metric Conversions

# Performance Data @ ARI Standard Conditions—Cooling (con't.)

Model Numbers		80°F [26.5°C] DB/67°F [19.5°C] WB Indoor Air 95°F [35°C] DB Outdoor Air					Sound Rating dB	Indoor CFM [L/s]
Outdoor Unit 13AJL	Indoor Coil and/or Air Handler	Total Capacity BTU/H [kW]	Net Sensible BTU/H [kW]	Net Latent BTU/H [kW]	EER	SEER		
Rev. 7/29/09 36	RHLL-HM3617 (RCSL-H*3617)	36,000 [10.5]	26,150 [7.7]	9,850 [2.9]	12.45	14.00	75	1,200 [566]
	RHSL-HM3617 (RCSL-H*3617)	35,200 [10.3]	25,500 [7.5]	9,700 [2.8]	11.80	13.00	75	1,100 [519]
	RHSL-HM3621 (RCSL-H*3621)	35,200 [10.3]	25,500 [7.5]	9,700 [2.8]	11.80	13.00	75	1,100 [519]
42	RCFL-H*4821 ①	41,500 [12.2]	30,400 [8.9]	11,100 [3.3]	11.20	13.00	77	1,400 [661]
	RCFL-A*4821	41,500 [12.2]	30,650 [9.0]	10,850 [3.2]	11.25	13.00	77	1,400 [661]
	RCFL-A*4821 (RGFD-09?ZCM?)	41,500 [12.2]	29,950 [8.8]	11,550 [3.4]	11.20	13.00	77	1,325 [625]
	RCFL-A*4821 (RGFD-10?ZCM?)	41,000 [12.0]	29,500 [8.6]	11,500 [3.4]	11.20	13.00	77	1,325 [625]
	RCFL-A*4821 (RGGD-06?MCK?)	40,500 [11.9]	28,450 [8.3]	12,050 [3.5]	11.20	13.00	77	1,225 [578]
	RCFL-A*4821 (RGGD-07?MCK?)	40,500 [11.9]	28,450 [8.3]	12,050 [3.5]	11.20	13.00	77	1,225 [578]
	RCFL-A*4821 (RGGD-09?ZCM?)	41,000 [12.0]	28,550 [8.4]	12,450 [3.6]	11.50	13.50	77	1,175 [554]
	RCFL-A*4821 (RGGD-10?ZCM?)	41,000 [12.0]	28,550 [8.4]	12,450 [3.6]	11.50	13.50	77	1,175 [554]
	RCFL-A*4821 (RGLR-07?AMK?)	41,000 [12.0]	28,750 [8.4]	12,250 [3.6]	11.50	13.50	77	1,200 [566]
	RCFL-A*4821 (RGLR-07?BRQ?)	41,000 [12.0]	28,800 [8.4]	12,200 [3.6]	11.50	14.00	77	1,225 [578]
	RCFL-A*4821 (RGLR-10?BRM?)	41,000 [12.0]	28,650 [8.4]	12,350 [3.6]	11.50	14.00	77	1,200 [566]
	RCFL-A*4821 (RGPR-05?BMK?)	40,500 [11.9]	28,300 [8.3]	12,200 [3.6]	11.20	13.00	77	1,200 [566]
	RCFL-A*4821 (RGPR-07?AMK?)	41,000 [12.0]	28,750 [8.4]	12,250 [3.6]	11.50	13.50	77	1,200 [566]
	RCFL-A*4821 (RGPR-07?BRQ?)	41,000 [12.0]	28,650 [8.4]	12,350 [3.6]	11.50	14.00	77	1,200 [566]
	RCFL-A*4821 (RGPR-10?BRM?)	41,500 [12.2]	30,350 [8.9]	11,150 [3.3]	11.50	13.50	77	1,425 [672]
	RCFL-A*4821 (RGRM-09?ZAJ?)	41,000 [12.0]	28,900 [8.5]	12,100 [3.5]	11.50	13.50	77	1,225 [578]
	RCFL-A*4821 (RGRM-10?ZAJ?)	40,500 [11.9]	27,950 [8.2]	12,550 [3.7]	11.50	13.50	77	1,150 [543]
	RCFL-A*4824	41,500 [12.2]	30,650 [9.0]	10,850 [3.2]	11.25	13.00	77	1,400 [661]
	RCFL-A*4824 (RGFD-09?ZCM?)	41,500 [12.2]	29,950 [8.8]	11,550 [3.4]	11.20	13.00	77	1,325 [625]
	RCFL-A*4824 (RGFD-10?ZCM?)	41,000 [12.0]	28,550 [8.4]	12,450 [3.6]	11.50	13.50	77	1,175 [554]
	RCFL-A*4824 (RGFD-12?RCM?)	41,000 [12.0]	28,800 [8.4]	12,200 [3.6]	11.50	13.50	77	1,225 [578]
	RCFL-A*4824 (RGGD-09?ZCM?)	41,000 [12.0]	28,550 [8.4]	12,450 [3.6]	11.50	13.50	77	1,175 [554]
	RCFL-A*4824 (RGGD-10?ZCM?)	41,000 [12.0]	28,550 [8.4]	12,450 [3.6]	11.50	13.50	77	1,175 [554]
	RCFL-A*4824 (RGGD-12?RCM?)	41,000 [12.0]	28,800 [8.4]	12,200 [3.6]	11.50	14.00	77	1,225 [578]
	RCFL-A*4824 (RGLR-07?BRQ?)	41,000 [12.0]	28,800 [8.4]	12,200 [3.6]	11.50	14.00	77	1,225 [578]
	RCFL-A*4824 (RGLR-10?BRM?)	41,000 [12.0]	28,650 [8.4]	12,350 [3.6]	11.50	14.00	77	1,200 [566]
	RCFL-A*4824 (RGLR-12?ARM?)	41,500 [12.2]	29,250 [8.6]	12,250 [3.6]	11.50	14.00	77	1,225 [578]
	RCFL-A*4824 (RGPR-07?BRQ?)	41,000 [12.0]	28,650 [8.4]	12,350 [3.6]	11.50	14.00	77	1,200 [566]
	RCFL-A*4824 (RGPR-10?BRM?)	41,000 [12.0]	28,800 [8.4]	12,200 [3.6]	11.50	13.50	77	1,225 [578]
	RCFL-A*4824 (RGPR-12?ARM?)	41,500 [12.2]	29,400 [8.6]	12,100 [3.5]	11.50	14.00	77	1,250 [590]
	RCFL-A*4824 (RGRM-09?ZAJ?)	41,000 [12.0]	28,900 [8.5]	12,100 [3.5]	11.00	13.00	77	1,225 [578]
	RCFL-A*4824 (RGRM-10?ZAJ?)	40,500 [11.9]	27,950 [8.2]	12,550 [3.7]	11.50	13.50	77	1,150 [543]
	RCFL-A*4824 (RGRM-12?RAJ?)	41,000 [12.0]	28,850 [8.5]	12,150 [3.6]	11.50	13.50	77	1,225 [578]
	RCFL-H*4821 (RGFD-09?ZCM?)	41,500 [12.2]	29,950 [8.8]	11,550 [3.4]	11.20	13.00	77	1,325 [625]
	RCFL-H*4821 (RGFD-10?ZCM?)	41,000 [12.0]	29,500 [8.6]	11,500 [3.4]	11.20	13.00	77	1,325 [625]
	RCFL-H*4821 (RGGD-06?MCK?)	40,500 [11.9]	28,450 [8.3]	12,050 [3.5]	11.20	13.00	77	1,225 [578]
	RCFL-H*4821 (RGGD-07?MCK?)	40,500 [11.9]	28,450 [8.3]	12,050 [3.5]	11.20	13.00	77	1,225 [578]
	RCFL-H*4821 (RGGD-09?ZCM?)	41,000 [12.0]	28,550 [8.4]	12,450 [3.6]	11.50	13.50	77	1,175 [554]
	RCFL-H*4821 (RGGD-10?ZCM?)	41,000 [12.0]	28,550 [8.4]	12,450 [3.6]	11.50	13.50	77	1,175 [554]
	RCFL-H*4821 (RGJD-06?MCK?)	40,500 [11.9]	28,450 [8.3]	12,050 [3.5]	11.20	13.00	77	1,225 [578]
	RCFL-H*4821 (RGJD-07?MCK?)	40,500 [11.9]	28,450 [8.3]	12,050 [3.5]	11.20	13.00	77	1,225 [578]
	RCFL-H*4821 (RGJD-09?ZCM?)	41,000 [12.0]	28,550 [8.4]	12,450 [3.6]	11.50	13.50	77	1,175 [554]
RCFL-H*4821 (RGJD-10?ZCM?)	41,000 [12.0]	28,550 [8.4]	12,450 [3.6]	11.50	13.50	77	1,175 [554]	
RCFL-H*4821 (RGLR-07?AMK?)	41,000 [12.0]	28,750 [8.4]	12,250 [3.6]	11.50	13.50	77	1,200 [566]	
RCFL-H*4821 (RGLR-07?BRQ?)	41,000 [12.0]	28,800 [8.4]	12,200 [3.6]	11.50	14.00	77	1,225 [578]	
RCFL-H*4821 (RGLR-10?BRM?)	41,000 [12.0]	28,650 [8.4]	12,350 [3.6]	11.50	14.00	77	1,200 [566]	
RCFL-H*4821 (RGPR-05?BMK?)	40,500 [11.9]	28,300 [8.3]	12,200 [3.6]	11.20	13.00	77	1,200 [566]	
RCFL-H*4821 (RGPR-07?AMK?)	41,000 [12.0]	28,750 [8.4]	12,250 [3.6]	11.50	13.50	77	1,200 [566]	
RCFL-H*4821 (RGPR-07?BRQ?)	41,000 [12.0]	28,650 [8.4]	12,350 [3.6]	11.50	14.00	77	1,200 [566]	
RCFL-H*4821 (RGPR-10?BRM?)	41,500 [12.2]	30,350 [8.9]	11,150 [3.3]	11.50	13.50	77	1,425 [672]	
RCFL-H*4821 (RGRM-09?ZAJ?)	41,000 [12.0]	28,900 [8.5]	12,100 [3.5]	11.50	13.50	77	1,225 [578]	

① Highest sales volume tested combination required by D.O.E. test procedures.

[ ] Designates Metric Conversions

# Performance Data @ ARI Standard Conditions—Cooling (con't.)

Model Numbers		80°F [26.5°C] DB/67°F [19.5°C] WB Indoor Air 95°F [35°C] DB Outdoor Air					Sound Rating dB	Indoor CFM [L/s]
Outdoor Unit 13AJL	Indoor Coil and/or Air Handler	Total Capacity BTU/H [kW]	Net Sensible BTU/H [kW]	Net Latent BTU/H [kW]	EER	SEER		
Rev. 7/29/09	RCFL-H*4821 (RGRM-10?ZAJ?)	40,500 [11.9]	27,950 [8.2]	12,550 [3.7]	11.50	13.50	77	1,150 [543]
	RCFL-H*4824	41,500 [12.2]	30,650 [9.0]	10,850 [3.2]	11.25	13.00	77	1,400 [661]
	RCFL-H*4824 (RGFD-09?ZCM?)	41,500 [12.2]	29,950 [8.8]	11,550 [3.4]	11.20	13.00	77	1,325 [625]
	RCFL-H*4824 (RGFD-10?ZCM?)	41,000 [12.0]	28,550 [8.4]	12,450 [3.6]	11.50	13.50	77	1,175 [554]
	RCFL-H*4824 (RGFD-12?RCM?)	41,000 [12.0]	28,800 [8.4]	12,200 [3.6]	11.50	13.50	77	1,225 [578]
	RCFL-H*4824 (RGGD-09?ZCM?)	41,000 [12.0]	28,550 [8.4]	12,450 [3.6]	11.50	13.50	77	1,175 [554]
	RCFL-H*4824 (RGGD-10?ZCM?)	41,000 [12.0]	28,550 [8.4]	12,450 [3.6]	11.50	13.50	77	1,175 [554]
	RCFL-H*4824 (RGGD-12?RCM?)	41,000 [12.0]	28,800 [8.4]	12,200 [3.6]	11.50	14.00	77	1,225 [578]
	RCFL-H*4824 (RGJD-09?ZCM?)	41,000 [12.0]	28,550 [8.4]	12,450 [3.6]	11.50	13.50	77	1,175 [554]
	RCFL-H*4824 (RGJD-10?ZCM?)	41,000 [12.0]	28,550 [8.4]	12,450 [3.6]	11.50	13.50	77	1,175 [554]
	RCFL-H*4824 (RGJD-12?RCM?)	41,000 [12.0]	28,800 [8.4]	12,200 [3.6]	11.50	14.00	77	1,225 [578]
	RCFL-H*4824 (RGLR-07?BRQ?)	41,000 [12.0]	28,800 [8.4]	12,200 [3.6]	11.50	14.00	77	1,225 [578]
	RCFL-H*4824 (RGLR-10?BRM?)	41,000 [12.0]	28,650 [8.4]	12,350 [3.6]	11.50	14.00	77	1,200 [566]
	RCFL-H*4824 (RGLR-12?ARM?)	41,500 [12.2]	29,250 [8.6]	12,250 [3.6]	11.50	14.00	77	1,225 [578]
	RCFL-H*4824 (RGPR-07?BRQ?)	41,000 [12.0]	28,650 [8.4]	12,350 [3.6]	11.50	14.00	77	1,200 [566]
	RCFL-H*4824 (RGPR-10?BRM?)	41,000 [12.0]	28,800 [8.4]	12,200 [3.6]	11.50	13.50	77	1,225 [578]
	RCFL-H*4824 (RGPR-12?ARM?)	41,500 [12.2]	29,400 [8.6]	12,100 [3.5]	11.50	14.00	77	1,250 [590]
	RCFL-H*4824 (RGRM-09?ZAJ?)	41,000 [12.0]	28,900 [8.5]	12,100 [3.5]	11.00	13.00	77	1,225 [578]
	RCFL-H*4824 (RGRM-10?ZAJ?)	40,500 [11.9]	27,950 [8.2]	12,550 [3.7]	11.50	13.50	77	1,150 [543]
	RCFL-H*4824 (RGRM-12?RAJ?)	41,000 [12.0]	28,850 [8.5]	12,150 [3.6]	11.50	13.50	77	1,225 [578]
RBHP-24 (RCHL-48A1)	40,500 [11.9]	28,450 [8.3]	12,050 [3.5]	12.00	14.00	77	1,400 [661]	
RCHL-48A1 (RGRM-12?RAJ?)	39,500 [11.6]	27,800 [8.1]	11,700 [3.4]	11.00	13.00	77	1,425 [672]	
RHLL-HM4821 (RCSL-H*4821)	42,000 [12.3]	31,100 [9.1]	10,900 [3.2]	12.20	14.00	77	1,400 [661]	
RHSL-HM4221 (RCSL-H*4821)	41,000 [12.0]	30,400 [8.9]	10,600 [3.1]	11.35	13.00	77	1,350 [637]	
42	RCFL-H*4821 ①	47,000 [13.8]	33,900 [9.9]	13,100 [3.8]	11.50	13.00	77	1,525 [720]
	RCFL-A*4821	47,000 [13.8]	33,900 [9.9]	13,100 [3.8]	11.50	13.00	77	1,525 [720]
	RCFL-A*4821 (RGFD-09?ZCM?)	47,000 [13.8]	32,400 [9.5]	14,600 [4.3]	11.50	13.50	77	1,325 [625]
	RCFL-A*4821 (RGFD-10?ZCM?)	46,500 [13.6]	31,950 [9.4]	14,550 [4.3]	11.50	13.00	77	1,325 [625]
	RCFL-A*4821 (RGGD-09?ZCM?)	47,000 [13.8]	33,050 [9.7]	13,950 [4.1]	11.50	13.50	77	1,425 [672]
	RCFL-A*4821 (RGGD-10?ZCM?)	47,500 [13.9]	33,550 [9.8]	13,950 [4.1]	11.50	13.50	77	1,425 [672]
	RCFL-A*4821 (RGLR-07?BRQ?)	47,500 [13.9]	33,450 [9.8]	14,050 [4.1]	11.50	13.50	77	1,425 [672]
	RCFL-A*4821 (RGLR-10?BRM?)	47,500 [13.9]	33,100 [9.7]	14,400 [4.2]	12.00	14.00	77	1,375 [649]
	RCFL-A*4821 (RGPR-07?BRQ?)	47,500 [13.9]	33,300 [9.8]	14,200 [4.2]	12.00	14.00	77	1,400 [661]
	RCFL-A*4821 (RGPR-10?BRM?)	47,500 [13.9]	33,500 [9.8]	14,000 [4.1]	11.50	13.50	77	1,425 [672]
	RCFL-A*4821 (RGRM-09?ZAJ?)	47,000 [13.8]	32,950 [9.7]	14,050 [4.1]	11.00	13.00	77	1,400 [661]
	RCFL-A*4821 (RGRM-10?ZAJ?)	47,000 [13.8]	33,100 [9.7]	13,900 [4.1]	11.00	13.00	77	1,425 [672]
	RCFL-A*4824	47,000 [13.8]	33,900 [9.9]	13,100 [3.8]	11.50	13.00	77	1,525 [720]
	RCFL-A*4824 (RGFD-09?ZCM?)	46,500 [13.6]	31,900 [9.3]	14,600 [4.3]	11.50	13.50	77	1,325 [625]
	RCFL-A*4824 (RGFD-10?ZCM?)	46,500 [13.6]	31,950 [9.4]	14,550 [4.3]	11.50	13.00	77	1,325 [625]
	RCFL-A*4824 (RGFD-12?RCM?)	47,500 [13.9]	33,850 [9.9]	13,650 [4.0]	11.50	13.50	77	1,475 [696]
	RCFL-A*4824 (RGGD-09?ZCM?)	47,000 [13.8]	33,050 [9.7]	13,950 [4.1]	11.50	13.50	77	1,425 [672]
	RCFL-A*4824 (RGGD-10?ZCM?)	47,500 [13.9]	33,550 [9.8]	13,950 [4.1]	11.50	13.50	77	1,425 [672]
	RCFL-A*4824 (RGGD-12?RCM?)	47,500 [13.9]	33,650 [9.9]	13,850 [4.1]	11.50	13.50	77	1,450 [684]
	RCFL-A*4824 (RGLR-07?BRQ?)	47,500 [13.9]	33,450 [9.8]	14,050 [4.1]	12.00	13.50	77	1,425 [672]
	RCFL-A*4824 (RGLR-10?BRM?)	47,500 [13.9]	33,100 [9.7]	14,400 [4.2]	12.00	14.00	77	1,375 [649]
	RCFL-A*4824 (RGLR-12?ARM?)	47,500 [13.9]	33,450 [9.8]	14,050 [4.1]	12.00	14.00	77	1,425 [672]
	RCFL-A*4824 (RGPR-07?BRQ?)	48,000 [14.1]	35,350 [10.4]	12,650 [3.7]	11.50	13.50	77	1,625 [767]
	RCFL-A*4824 (RGPR-10?BRM?)	47,500 [13.9]	33,500 [9.8]	14,000 [4.1]	11.50	13.50	77	1,425 [672]
	RCFL-A*4824 (RGPR-12?ARM?)	47,500 [13.9]	33,300 [9.8]	14,200 [4.2]	12.00	14.00	77	1,400 [661]
	RCFL-A*4824 (RGRM-10?ZAJ?)	47,000 [13.8]	33,100 [9.7]	13,900 [4.1]	11.00	13.00	77	1,425 [672]
	RCFL-A*4824 (RGRM-12?RAJ?)	47,500 [13.9]	33,550 [9.8]	13,950 [4.1]	11.50	13.50	77	1,425 [672]
	RCFL-H*4821 (RGFD-09?ZCM?)	47,000 [13.8]	32,400 [9.5]	14,600 [4.3]	11.50	13.50	77	1,325 [625]
	RCFL-H*4821 (RGFD-10?ZCM?)	46,500 [13.6]	31,950 [9.4]	14,550 [4.3]	11.50	13.00	77	1,325 [625]
	RCFL-H*4821 (RGGD-09?ZCM?)	47,000 [13.8]	33,050 [9.7]	13,950 [4.1]	11.50	13.50	77	1,425 [672]

① Highest sales volume tested combination required by D.O.E. test procedures.

[ ] Designates Metric Conversions

# Performance Data @ ARI Standard Conditions—Cooling (con't.)

Model Numbers		80°F [26.5°C] DB/67°F [19.5°C] WB Indoor Air 95°F [35°C] DB Outdoor Air					Sound Rating dB	Indoor CFM [L/s]	
Outdoor Unit 13AJL	Indoor Coil and/or Air Handler	Total Capacity BTU/H [kW]	Net Sensible BTU/H [kW]	Net Latent BTU/H [kW]	EER	SEER			
48	Rev. 7/29/09	RCFL-H*4821 (RGGD-10?ZCM?)	47,500 [13.9]	33,550 [9.8]	13,950 [4.1]	11.50	13.50	77	1,425 [672]
		RCFL-H*4821 (RGJD-09?ZCM?)	47,000 [13.8]	33,050 [9.7]	13,950 [4.1]	11.50	13.50	77	1,425 [672]
		RCFL-H*4821 (RGJD-10?ZCM?)	47,500 [13.9]	33,550 [9.8]	13,950 [4.1]	11.50	13.50	77	1,425 [672]
		RCFL-H*4821 (RGLR-07?BRQ?)	47,500 [13.9]	33,450 [9.8]	14,050 [4.1]	11.50	13.50	77	1,425 [672]
		RCFL-H*4821 (RGLR-10?BRM?)	47,500 [13.9]	33,100 [9.7]	14,400 [4.2]	12.00	14.00	77	1,375 [649]
		RCFL-H*4821 (RGPR-07?BRQ?)	47,500 [13.9]	33,300 [9.8]	14,200 [4.2]	12.00	14.00	77	1,400 [661]
		RCFL-H*4821 (RGPR-10?BRM?)	47,500 [13.9]	33,500 [9.8]	14,000 [4.1]	11.50	13.50	77	1,425 [672]
		RCFL-H*4821 (RGRM-09?ZAJ?)	47,000 [13.8]	32,950 [9.7]	14,050 [4.1]	11.00	13.00	77	1,400 [661]
		RCFL-H*4821 (RGRM-10?ZAJ?)	47,000 [13.8]	33,100 [9.7]	13,900 [4.1]	11.00	13.00	77	1,425 [672]
		RCFL-H*4824	47,000 [13.8]	33,900 [9.9]	13,100 [3.8]	11.50	13.00	77	1,525 [720]
		RCFL-H*4824 (RGFD-09?ZCM?)	46,500 [13.6]	31,900 [9.3]	14,600 [4.3]	11.50	13.50	77	1,325 [625]
		RCFL-H*4824 (RGFD-10?ZCM?)	46,500 [13.6]	31,950 [9.4]	14,550 [4.3]	11.50	13.00	77	1,325 [625]
		RCFL-H*4824 (RGFD-12?RCM?)	47,500 [13.9]	33,850 [9.9]	13,650 [4.0]	11.50	13.50	77	1,475 [696]
		RCFL-H*4824 (RGGD-09?ZCM?)	47,000 [13.8]	33,050 [9.7]	13,950 [4.1]	11.50	13.50	77	1,425 [672]
		RCFL-H*4824 (RGGD-10?ZCM?)	47,500 [13.9]	33,550 [9.8]	13,950 [4.1]	11.50	13.50	77	1,425 [672]
		RCFL-H*4824 (RGGD-12?RCM?)	47,500 [13.9]	33,650 [9.9]	13,850 [4.1]	11.50	13.50	77	1,450 [684]
		RCFL-H*4824 (RGJD-09?ZCM?)	47,000 [13.8]	33,050 [9.7]	13,950 [4.1]	11.50	13.50	77	1,425 [672]
		RCFL-H*4824 (RGJD-10?ZCM?)	47,500 [13.9]	33,550 [9.8]	13,950 [4.1]	11.50	13.50	77	1,425 [672]
		RCFL-H*4824 (RGJD-12?RCM?)	47,500 [13.9]	33,650 [9.9]	13,850 [4.1]	11.50	13.50	77	1,450 [684]
		RCFL-H*4824 (RGLR-07?BRQ?)	47,500 [13.9]	33,450 [9.8]	14,050 [4.1]	11.50	13.50	77	1,425 [672]
		RCFL-H*4824 (RGLR-10?BRM?)	47,500 [13.9]	33,100 [9.7]	14,400 [4.2]	12.00	14.00	77	1,375 [649]
		RCFL-H*4824 (RGLR-12?ARM?)	47,500 [13.9]	33,450 [9.8]	14,050 [4.1]	12.00	14.00	77	1,425 [672]
		RCFL-H*4824 (RGPR-07?BRQ?)	48,000 [14.1]	35,350 [10.4]	12,650 [3.7]	11.50	13.50	77	1,625 [767]
		RCFL-H*4824 (RGPR-10?BRM?)	47,500 [13.9]	33,500 [9.8]	14,000 [4.1]	11.50	13.50	77	1,425 [672]
		RCFL-H*4824 (RGPR-12?ARM?)	47,500 [13.9]	33,300 [9.8]	14,200 [4.2]	12.00	14.00	77	1,400 [661]
		RCFL-H*4824 (RGRM-10?ZAJ?)	47,000 [13.8]	33,100 [9.7]	13,900 [4.1]	11.00	13.00	77	1,425 [672]
		RCFL-H*4824 (RGRM-12?RAJ?)	47,500 [13.9]	33,550 [9.8]	13,950 [4.1]	11.50	13.50	77	1,425 [672]
		RBHP-24 (RCHL-48A1)	46,000 [13.5]	32,450 [9.5]	13,550 [4.0]	11.75	13.50	77	1,600 [755]
		RHLL-HM4821 (RCSL-H*4821)	48,000 [14.1]	34,550 [10.1]	13,450 [3.9]	12.15	14.00	77	1,600 [755]
		RHSL-HM4821 (RCSL-H*4821)	47,000 [13.8]	34,000 [10.0]	13,000 [3.8]	11.60	13.00	77	1,525 [720]
		RHLL-HM4824 (RCSL-H*4824)	48,500 [14.2]	34,850 [10.2]	13,650 [4.0]	12.50	14.00	77	1,625 [767]
		RHSL-HM4824 (RCSL-H*4824)	47,000 [13.8]	34,000 [10.0]	13,000 [3.8]	11.60	13.00	77	1,525 [720]
60		RCFL-H*6024A* ①	56,500 [16.6]	39,100 [11.5]	17,400 [5.1]	11.10	13.00	77	1,550 [731]
		RCFL-A*6024 (RGFD-12?RCM?)	57,500 [16.8]	40,750 [11.9]	16,750 [4.9]	11.10	13.00	77	1,650 [779]
		RCFL-A*6024 (RGGD-12?RCM?)	57,500 [16.8]	40,800 [12.0]	16,700 [4.9]	11.10	13.00	77	1,650 [779]
		RCFL-A*6024 (RGLR-07?BRQ?)	57,500 [16.8]	40,550 [11.9]	16,950 [5.0]	11.10	13.00	77	1,625 [767]
		RCFL-A*6024 (RGLR-10?BRM?)	57,000 [16.7]	39,450 [11.6]	17,550 [5.1]	11.10	13.00	77	1,575 [743]
		RCFL-A*6024 (RGLR-12?ARM?)	57,500 [16.8]	40,300 [11.8]	17,200 [5.0]	11.10	13.00	77	1,600 [755]
		RCFL-A*6024 (RGPR-07?BRQ?)	57,500 [16.8]	40,550 [11.9]	16,950 [5.0]	11.10	13.00	77	1,625 [767]
		RCFL-A*6024 (RGPR-10?BRM?)	57,000 [16.7]	40,100 [11.7]	16,900 [5.0]	11.10	13.00	77	1,625 [767]
		RCFL-A*6024 (RGPR-12?ARM?)	57,000 [16.7]	39,450 [11.6]	17,550 [5.1]	11.10	13.00	77	1,575 [743]
		RCFL-A*6024B*	56,500 [16.6]	39,100 [11.5]	17,400 [5.1]	11.10	13.00	77	1,550 [731]
		RCFL-H*6024 (RGFD-12?RCM?)	57,500 [16.8]	40,750 [11.9]	16,750 [4.9]	11.10	13.00	77	1,650 [779]
		RCFL-H*6024 (RGGD-12?RCM?)	57,500 [16.8]	40,800 [12.0]	16,700 [4.9]	11.10	13.00	77	1,650 [779]
		RCFL-H*6024 (RGJD-12?RCM?)	57,500 [16.8]	40,800 [12.0]	16,700 [4.9]	11.10	13.00	77	1,650 [779]
		RCFL-H*6024 (RGLR-07?BRQ?)	57,500 [16.8]	40,550 [11.9]	16,950 [5.0]	11.10	13.00	77	1,625 [767]
		RCFL-H*6024 (RGLR-10?BRM?)	57,000 [16.7]	39,450 [11.6]	17,550 [5.1]	11.10	13.00	77	1,575 [743]
		RCFL-H*6024 (RGLR-12?ARM?)	57,500 [16.8]	40,300 [11.8]	17,200 [5.0]	11.10	13.00	77	1,600 [755]
		RCFL-H*6024 (RGPR-07?BRQ?)	57,500 [16.8]	40,550 [11.9]	16,950 [5.0]	11.10	13.00	77	1,625 [767]
		RCFL-H*6024 (RGPR-10?BRM?)	57,000 [16.7]	40,100 [11.7]	16,900 [5.0]	11.10	13.00	77	1,625 [767]
		RCFL-H*6024 (RGPR-12?ARM?)	57,000 [16.7]	39,450 [11.6]	17,550 [5.1]	11.10	13.00	77	1,575 [743]
		RBHP-25 (RCHL-60A1)	54,500 [16.0]	36,650 [10.7]	17,850 [5.2]	11.15	13.00	77	1,800 [849]
	RHLL-HM6024 (RCSL-H*6024A*)	58,000 [17.0]	40,050 [11.7]	17,950 [5.3]	11.85	13.50	77	1,800 [849]	

① Highest sales volume tested combination required by D.O.E. test procedures.

[ ] Designates Metric Conversions

# Electrical and Physical Data

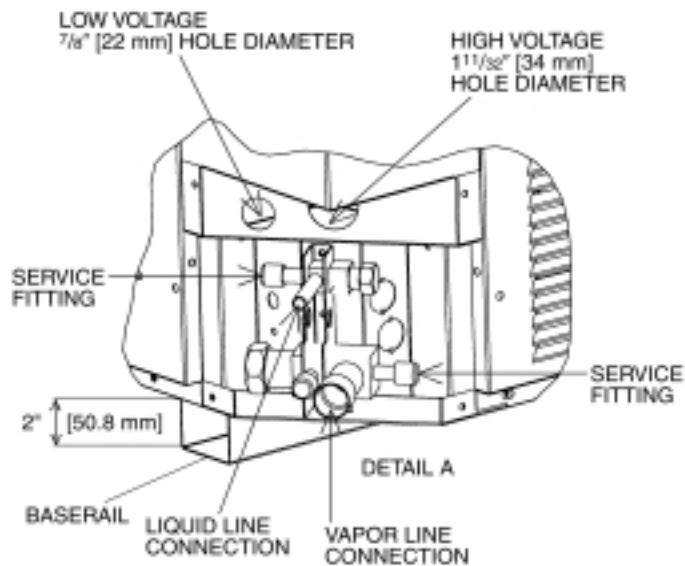
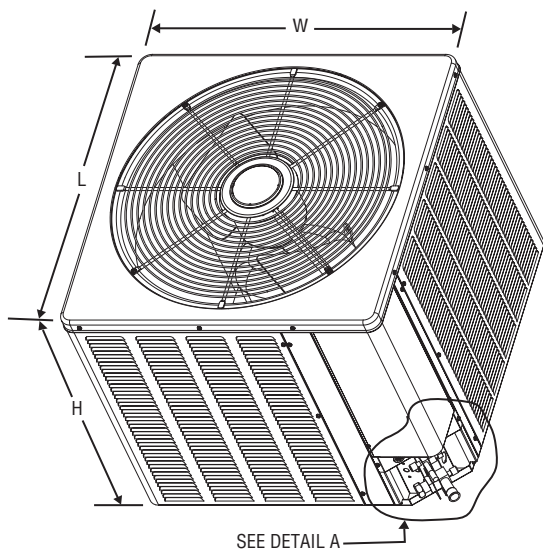
Model Number 13AJL	ELECTRICAL							PHYSICAL					
	Phase Frequency [Hz] Voltage [Volts]	Compressor		Fan Motor Full Load Amperes (FLA)	Minimum Circuit Ampacity Amperes	Fuse or HACR Circuit Breaker		Outdoor Coil			Refrigerant Per Circuit Oz. [g]	Weight	
		Rated Load Amperes (RLA)	Locked Rotor Amperes (LRA)			Minimum Amperes	Maximum Amperes	Face Area Sq. Ft. [m <sup>2</sup> ]	No. Rows	CFM [L/s]		Net Lbs. [kg]	Shipping Lbs. [kg]
Rev. 7/29/09													
18	1-60-208/230	9/9	48	0.6	12/12	15/15	20/20	11.06 [1.03]	1	1645 [776]	77 [2183]	127 [57.6]	135 [61.2]
24	1-60-208/230	12.8/12.8	58.3	0.6	17/17	20/20	25/25	11.06 [1.03]	1	1700 [802]	77 [2183]	126 [57.2]	134 [60.8]
30	1-60-208/230	14.1/14.1	73	0.8	19/19	25/25	30/30	13.72 [1.27]	1	2370 [1118]	95 [2693]	144 [65.3]	154 [69.9]
36	1-60-208/230	17/17	96.7	0.8	23/23	30/30	35/35	16.39 [1.52]	1	2805 [1324]	106 [3005]	186 [84.4]	198 [89.8]
42	1-60-208/230	21.8/21.8	112	1.2	29/29	35/35	50/50	16.39 [1.52]	1	3295 [1555]	118 [3345]	183 [83.0]	195 [88.5]
48	1-60-208/230	21.8/21.8	117	1.2	29/29	35/35	50/50	21.85 [2.03]	1	3295 [1555]	149 [4224]	222 [100.7]	233 [105.7]
60	1-60-208/230	26.4/26.4	134	1.2	35/35	45/45	60/60	21.85 [2.03]	1	3570 [1685]	176 [4990]	223 [101.2]	234 [106.1]

NOTE: Factory Refrigerant Charge includes refrigerant for 15 feet of standard line set.

## Unit Dimensions

Model No. 13AJL	Unit Dimensions		
	Width "W" Inches	Length "L" Inches	Height "H" Inches
18, 24	23 <sup>5</sup> / <sub>8</sub> [600]	23 <sup>5</sup> / <sub>8</sub> [600]	24 <sup>1</sup> / <sub>4</sub> [616]
30	27 <sup>5</sup> / <sub>8</sub> [702]	27 <sup>5</sup> / <sub>8</sub> [702]	24 <sup>1</sup> / <sub>4</sub> [616]
36, 42	31 <sup>5</sup> / <sub>8</sub> [803]	31 <sup>5</sup> / <sub>8</sub> [803]	27 <sup>15</sup> / <sub>16</sub> [710]
48, 60	31 <sup>5</sup> / <sub>8</sub> [803]	31 <sup>5</sup> / <sub>8</sub> [803]	35 <sup>15</sup> / <sub>16</sub> [913]

[ ] Designates Metric Conversions



# Condensing Unit Refrigerant Line Size Information

Liquid Line Sizing (R-410A)														
System Capacity	Liquid Line Connection Size (Inch I.D.)	Line Size (Inch O.D.) [mm]	Liquid Line Size – Outdoor Unit Above Indoor Coil (Cooling Only—Does not apply to Heat Pumps)						Liquid Line Size – Outdoor Unit Below Indoor Coil					
			Total Equivalent Length—Feet [m]						Total Equivalent Length—Feet [m]					
			25 [7.62]	50 [15.24]	75 [22.86]	100 [30.48]	125 [38.10]	150 [45.72]	25 [7.62]	50 [15.24]	75 [22.86]	100 [30.48]	125 [38.10]	150 [45.72]
			Minimum Vertical Separation—Feet [m]						Maximum Vertical Separation—Feet [m]					
1 1/2 Ton	3/8" [9.53]	1/4 [6.35]	0	0	0	0	8 [2.44]	24 [7.32]	25 [7.62]	40 [12.19]	25 [7.62]	9 [2.74]	N/A	N/A
		5/16 [7.94]	0	0	0	0	0	0	25 [7.62]	50 [15.24]	62 [18.90]	58 [17.68]	53 [16.15]	49 [14.94]
		3/8* [9.53]	0	0	0	0	0	0	25 [7.62]	50 [15.24]	75 [22.86]	72 [21.95]	70 [21.34]	68 [20.73]
2 Ton	3/8" [9.53]	1/4 [6.35]	0	3 [0.91]	29 [8.84]	55 [16.76]	81 [24.69]	108 [32.92]	23 [7.01]	N/A	N/A	N/A	N/A	N/A
		5/16 [7.94]	0	0	0	0	0	0	25 [7.62]	36 [10.97]	29 [8.84]	23 [7.01]	16 [4.88]	9 [2.74]
		3/8* [9.53]	0	0	0	0	0	0	25 [7.62]	50 [15.24]	72 [21.95]	70 [21.34]	68 [20.73]	65 [19.81]
2 1/2 Ton	3/8" [9.53]	1/4 [6.35]	0	14 [4.27]	56 [17.07]	98 [29.87]	N/A	N/A	25 [7.62]	N/A	N/A	N/A	N/A	N/A
		5/16 [7.94]	0	0	0	0	0	0	25 [7.62]	49 [14.94]	38 [11.58]	27 [8.23]	17 [5.18]	6 [1.83]
		3/8* [9.53]	0	0	0	0	0	0	25 [7.62]	50 [15.24]	68 [20.73]	65 [19.81]	62 [18.90]	58 [17.68]
3 Ton	3/8" [9.53]	5/16 [7.94]	0	0	0	0	0	9 [2.74]	25 [7.62]	50 [15.24]	37 [11.28]	22 [6.71]	7 [2.13]	N/A
		3/8* [9.53]	0	0	0	0	0	0	25 [7.62]	50 [15.24]	68 [20.73]	63 [19.20]	58 [17.68]	53 [16.15]
3 1/2 Ton	3/8" [9.53]	5/16 [7.94]	0	0	0	16 [4.88]	35 [10.67]	54 [16.46]	25 [7.62]	23 [7.01]	4 [1.22]	N/A	N/A	N/A
		3/8* [9.53]	0	0	0	0	0	0	25 [7.62]	50 [15.24]	43 [13.11]	36 [10.97]	30 [9.14]	24 [7.32]
4 Ton	3/8" [9.53]	3/8* [9.53]	0	0	0	0	0	0	25 [7.62]	46 [14.02]	38 [11.58]	30 [9.14]	22 [6.71]	15 [4.57]
		1/2 [12.57]	0	0	0	0	0	0	25 [7.62]	50 [15.24]	56 [17.07]	55 [16.76]	53 [16.15]	52 [15.85]
5 Ton	3/8" [9.53]	3/8* [9.53]	0	0	0	0	0	0	25 [7.62]	50 [15.24]	56 [17.07]	44 [13.41]	32 [9.75]	20 [6.10]
		1/2 [12.57]	0	0	0	0	0	0	25 [7.62]	50 [15.24]	75 [22.86]	81 [24.69]	79 [24.08]	76 [23.16]

NOTES: \*Standard line size  
N/A = Application not recommended.

Suction Line Length/Size versus Capacity Multiplier (R-410A)									
Unit Size	1 1/2 Ton	2 Ton	2 1/2 Ton	3 Ton	3 1/2 Ton	4 Ton	5 Ton		
Suction Line Connection Size	3/4" [19.05] I.D.				7/8" [22.23] I.D.				
Suction Line Run—Feet [m]	5/8" [15.88 mm] O.D. Optional 3/4" [19.05 mm] O.D. Standard*		5/8" [15.88 mm] O.D. Optional 3/4" [19.05 mm] O.D. Standard* 7/8" [22.23 mm] O.D. Optional		3/4" [19.05 mm] O.D. Optional 7/8" [22.23 mm] O.D. Standard*		7/8" [22.23 mm] O.D. Optional 1 1/8" [28.58 mm] O.D. Standard*		
25' [7.62]	Optional Standard Optional	1.00 1.00 —	1.00 1.00 —	1.00 1.00 1.00	1.00 1.00 —	1.00 1.00 —	1.00 1.00 —	1.00 1.00 —	1.00 1.00 —
50' [15.24]	Optional Standard Optional	.98 .99 —	.98 .99 —	.96 .98 .99	.98 .99 —	.99 .99 —	.99 .99 —	.99 .99 —	.99 .99 —
100' [30.48]	Optional Standard Optional	.95 .96 —	.95 .96 —	.94 .96 .97	.96 .97 —	.96 .98 —	.96 .98 —	.96 .98 —	.97 .98 —
150' [45.72]	Optional Standard Optional	.92 .93 —	.92 .94 —	.91 .93 .95	.94 .95 —	.94 .96 —	.95 .96 —	.95 .96 —	.94 .97 —

NOTES: \*Standard line size  
Using suction line larger than shown in chart will result in poor oil return and is not recommended.

[ ] Designates Metric Conversions

**BEFORE PURCHASING THIS APPLIANCE, READ IMPORTANT ENERGY COST AND EFFICIENCY INFORMATION AVAILABLE FROM YOUR RETAILER.**

## GENERAL TERMS OF LIMITED WARRANTY

Rheem will furnish a replacement for any part of this product which fails in normal use and service within the applicable period stated, in accordance with the terms of the limited warranty.

\*For Complete Details of the Limited Warranty, Including Applicable Terms and Conditions, See Your Local Installer or visit [www.Rheem.com](http://www.Rheem.com).

Conditional Parts Warranty\*  
(Registration Required) ..... Ten (10) Years  
Conditional Compressor\*  
(Registration Required) ..... Ten (10) Years  
Any Other Part..... Five (5) Years

# NOTES

**Before proceeding with installation, refer to installation instructions packaged with each model, as well as complying with all Federal, State, Provincial, and Local codes, regulations, and practices.**

**Rheem Heating,  
Cooling and  
Water Heating**

P.O. Box 17010, Fort Smith, AR 72917



*"In keeping with its policy of continuous progress and product improvement, Rheem reserves the right to make changes without notice."*