



PACKAGE AIR CONDITIONERS

FORM NO. A11-179 REV. 6
Supersedes Form No. A11-179 Rev. 5

RSNJ- SUPER HIGH EFFICIENCY 13-SEER SERIES NOMINAL SIZES 2-5 TON [7-17.6 kW]

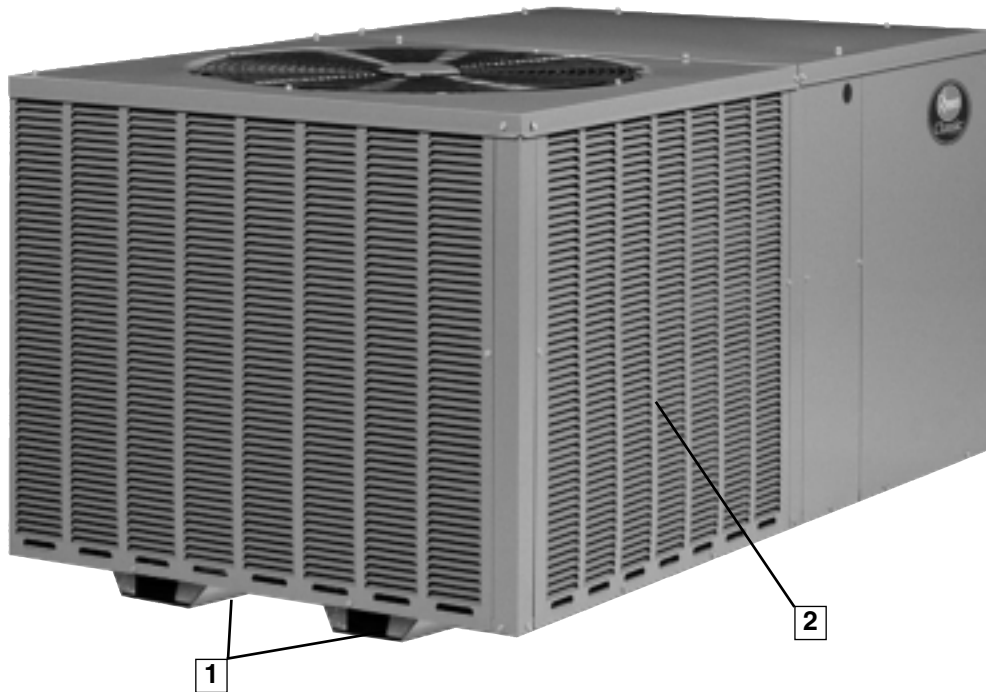




Unit Features & Benefits	3-6
Model Identification Options	7
General Data	
RSNJ- Series.....	8-10
General Data Notes	11
Performance Data	
RSNJ- Cooling Series.....	12-14
Airflow Performance RSNJ- Series	15-16
Electrical Data	
RSNJ- Series	17
Electric Heater Kits	18-21
Dimensional Data.....	22
Typical Installations	23
Accessories	24
Typical Wiring	25-26
Limited Warranty	28



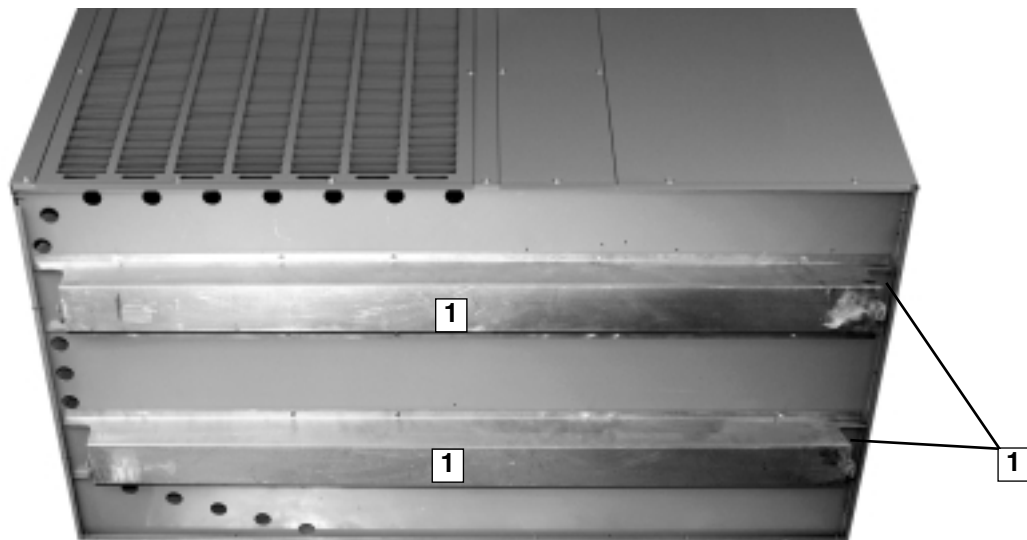
UNIT FEATURES & BENEFITS—RSNJ- SERIES

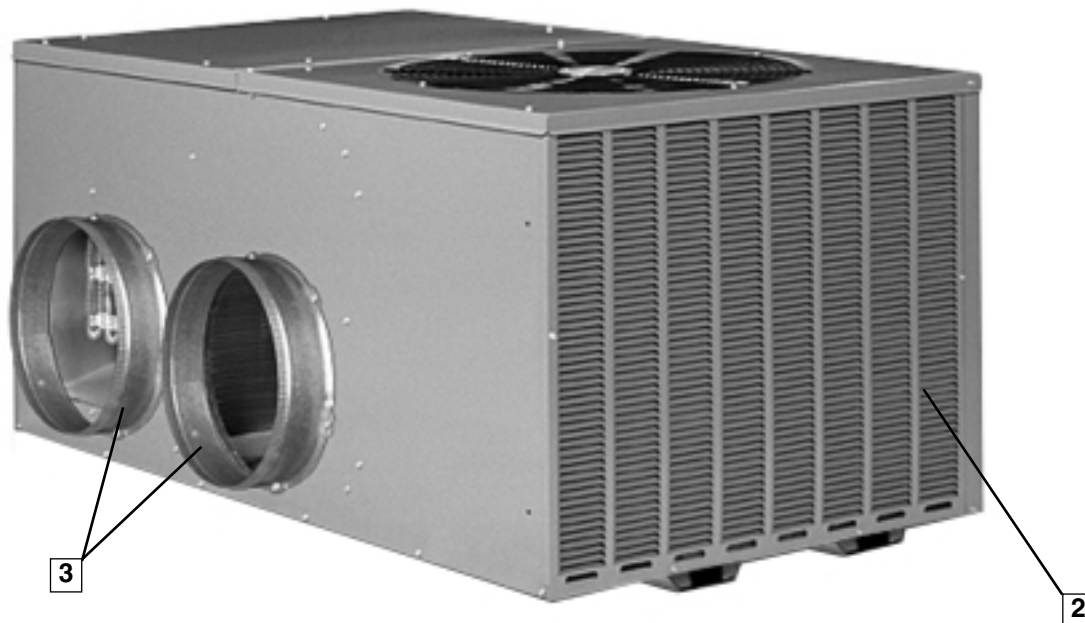


The RSNJ series of Package Air Conditioners is designed to be the most efficient, quickest to install, easiest to service, and most reliable units in the industry - while still maintaining an affordable price. This platform provides you with a full line of nominal capacities from 2 through 5 tons. RSNJ Models are 13 SEER, each ARI-certified.

As with all units offered by Rheem, we started our design process with input from the customer. From fan grille to the base rails, Rheem has combined 30 years worth of package unit design experience with input from Dealers to meet the latest application requirements.

Starting at the bottom, the base rails (1) allow for separation between the unit base and the ground level, protecting the base from ground moisture and providing air circulation around the unit. Constructed from sturdy 14-gauge G-90 sheet metal, the base rails also allow for easier maneuverability during installation.



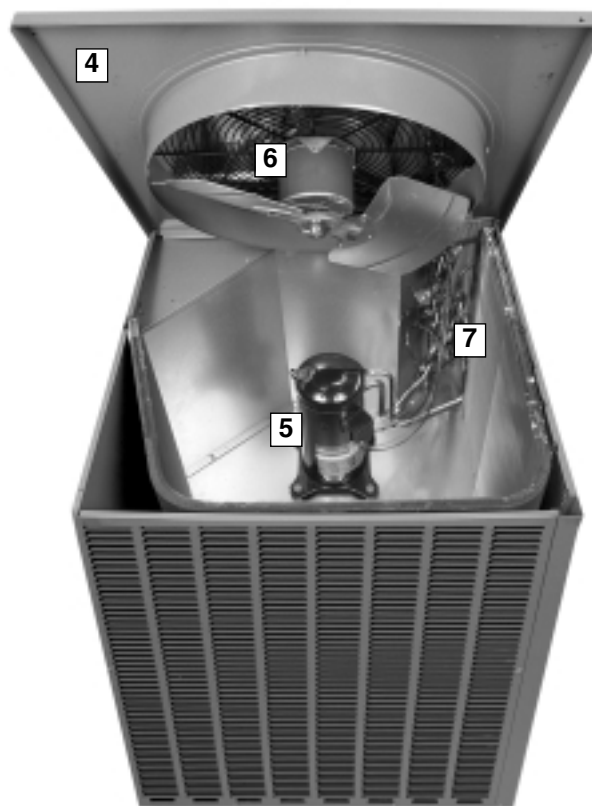


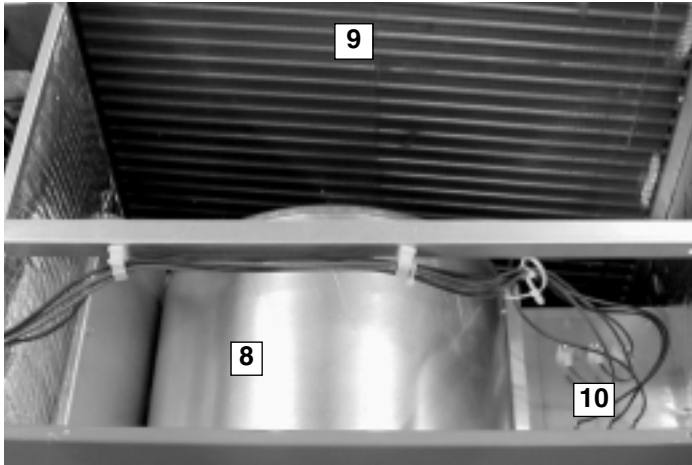
While other manufacturers have chosen to use pre-painted steel in their equipment, which exposes raw edges and invites rust and sharp edges, Rheem package equipment uses a powder-coat paint system, rated at 1000 hour salt spray per ASTM B117. The powder-coat process also greatly diminishes and dulls sharp edges, reducing the occurrence of cuts and torn clothes.

To provide flexibility in space-limited installations, the unit can be installed flush to the structure without blocking airflow over the outdoor coil or making any screws inaccessible for maintenance. Furthermore, the cabinet is a slim 33" wide. Full-louver coil protection (2) makes Rheem unique in the industry and also totally protects the outdoor coil from vandalism and weather extremes.

Two round 14" duct collar (3) are included with the unit, which makes attaching duct a snap. The collar is crimped around the leading edge, making it easier to install duct onto the collar. A metal bead around the circumference prevents the attached ducting from sliding off after installation.

Keeping service technicians in mind, Rheem takes pride providing easy access to internal components. The outdoor-section top cover (4) is easily removed to allow access to the the scroll compressor (5), outdoor fan motor (6), and refrigerant tubing (7).

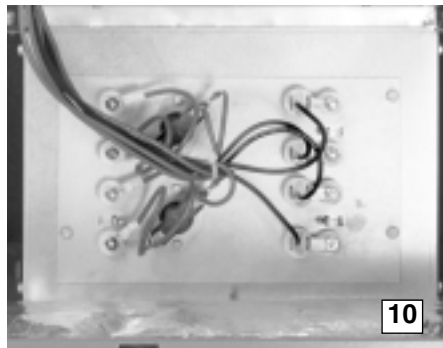




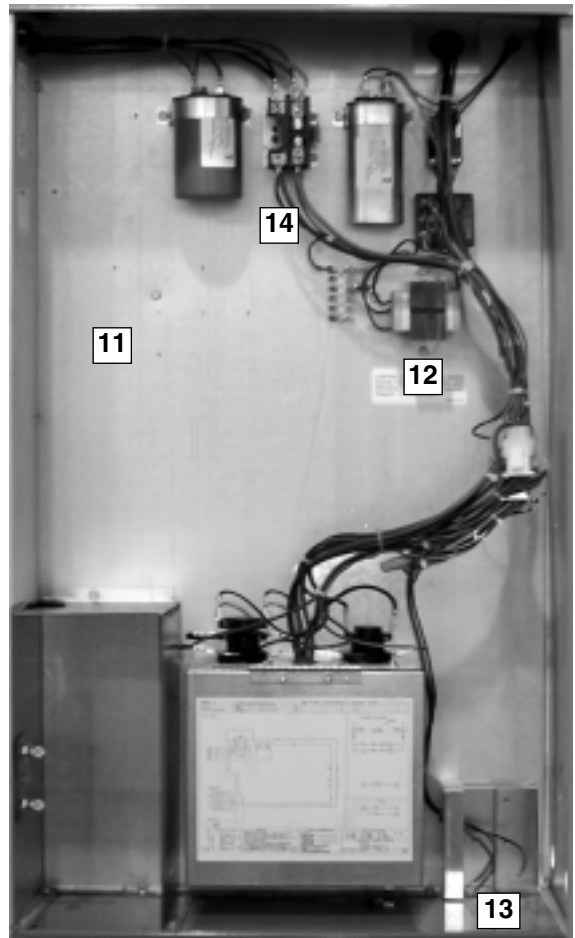
The indoor-section top cover also easily opens to access the removable blower housing and motor (8). This also gains total access to the indoor coil for cleaning and service (9).

The indoor motor and blower system will achieve nominal 400 CFM per ton up to a minimum of .8 inches of static pressure, which helps to eliminate customer dissatisfaction over poor airflow brought about by high-static duct designs.

Optional electric heat (10) can be specified as factory installed, or can be easily installed in the field, with either dual- or single-point power connections.

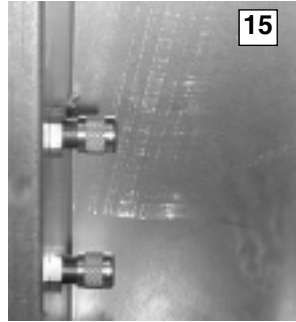


The controls are located in a large, easy-to-access control box (11), which provides plenty of space in which to troubleshoot. The transformer (12) is protected by an in-line fuse, which protects the transformer during a low-voltage electrical short. The low-voltage (13) and high-voltage (14) wiring connections are easily accessed and have ample room around which to maneuver. Troubleshooting is further aided with number- and color-coded wiring, which corresponds with the large, easy-to-read wiring diagram located on the inside of the control box access panel.





High and low refrigerant pressure can easily and accurately be measured using the two gauge ports (15) located inside the control box.



Foil-faced insulation is securely glued and captured to the cabinet. On the base of the unit, closed-cell insulation is used to prevent moisture from being absorbed and help reduce mold content to provide better indoor air quality.

For reliability and long-lasting operation, Rheem uses 100% scroll compressor technology (18) on all package platforms. With over 12 years of history, the scroll compressor has proven to be reliable, efficient, and quiet during operation.



A small side panel grants access to a removable, sloped drain pan (16), which helps to ensure indoor air quality (IAQ) throughout the life of the unit. A 3/4" drain trap (17) assembly is provided for convenience.





MODEL IDENTIFICATION—RSNJ- SERIES



R S N J — A 036 J K 010

Heating Capacity (Factory Installed)

- 000 = No Resistance Heat
- 005 = 05 KW Resistance Heat
- 007 = 07 KW Resistance Heat
- 010 = 10 KW Resistance Heat
- 015 = 15 KW Resistance Heat
- 020 = 20 KW Resistance Heat

Drive Package
K = Direct Drive

Electrical Designation
J = 208-230V—1PH—60 Hz
C = 208-230V—3PH—60 Hz

Nominal Cooling Capacity (BTUH) [kW]
024 = 24,000 [7.03]
030 = 30,000 [8.79]
036 = 36,000 [10.55]
042 = 42,000 [12.31]
048 = 48,000 [14.07]
060 = 60,000 [17.59]

Future Technical Variations

Design Series
J = Horizontal Discharge

Efficiency Designation
N = 13 SEER Super High Efficiency

Product Classification
S = Package Air Conditioner

Tradebrand
R = Rheem

[] Designates Metric Conversions



NOMINAL SIZES 2-5 TON [7-17.6 kW]

Model RSNJ- Series	A024JK	A030JK	A036CK	A036JK
Cooling Performance¹				CONTINUED →
Gross Cooling Capacity Btu [kW]	25,600 [7.5]	30,400 [8.9]	36,000 [10.5]	36,000 [10.5]
EER/SEER ²	11.9/13	11.45/13	11.5/13	11.5/13
Nominal CFM/ARI Rated CFM [L/s]	800/800 [378/378]	1000/1000 [472/472]	1200/1200 [566/566]	1200/1200 [566/566]
ARI Net Cooling Capacity Btu [kW]	24,600 [7.2]	29,200 [8.6]	34,600 [10.1]	34,600 [10.1]
Net Sensible Capacity Btu [kW]	18,400 [5.4]	22,300 [6.5]	27,300 [8]	27,300 [8]
Net Latent Capacity Btu [kW]	6200 [1.8]	6900 [2]	7300 [2.1]	7300 [2.1]
Net System Power kW	2.1	2.6	3	3
Compressor				
No./Type	1/Scroll	1/Scroll	1/Scroll	1/Scroll
Outdoor Sound Rating (dB)	76	76	76	76
Outdoor Coil—Fin Type	Louvered	Louvered	Louvered	Louvered
Tube Type	Rifled	Rifled	Rifled	Rifled
Tube Size in. [mm] OD	0.375 [9.5]	0.375 [9.5]	0.375 [9.5]	0.375 [9.5]
Face Area sq. ft. [sq. m]	10.44 [0.97]	10.44 [0.97]	12.65 [1.18]	12.65 [1.18]
Rows / FPI [FPcm]	1 / 16 [6]	1 / 16 [6]	1 / 22 [9]	1 / 22 [9]
Indoor Coil—Fin Type	Louvered	Louvered	Louvered	Louvered
Tube Type	Rifled	Rifled	Rifled	Rifled
Tube Size in. [mm]	0.375 [9.5]	0.375 [9.5]	0.375 [9.5]	0.375 [9.5]
Face Area sq. ft. [sq. m]	4.33 [0.4]	4.33 [0.4]	4.33 [0.4]	4.33 [0.4]
Rows / FPI [FPcm]	2 / 15 [6]	2 / 15 [6]	2 / 15 [6]	2 / 15 [6]
Refrigerant Control	TX Valves	TX Valves	TX Valves	TX Valves
Drain Connection No./Size in. [mm] ³	1/1 [25.4]	1/1 [25.4]	1/1 [25.4]	1/1 [25.4]
Outdoor Fan—Type	Propeller	Propeller	Propeller	Propeller
No. Used/Diameter in. [mm]	1/24 [609.6]	1/24 [609.6]	1/24 [609.6]	1/24 [609.6]
Drive Type/No. Speeds	Direct/1	Direct/1	Direct/1	Direct/1
CFM [L/s]	3400 [1604]	3400 [1604]	3400 [1604]	3400 [1604]
No. Motors/HP	1 at 1/3 HP	1 at 1/3 HP	1 at 1/3 HP	1 at 1/3 HP
Motor RPM	1075	1075	1075	1075
Indoor Fan—Type	FC Centrifugal	FC Centrifugal	FC Centrifugal	FC Centrifugal
No. Used/Diameter in. [mm]	1/10x9 [254x228.6]	1/10x9 [254x228.6]	1/10x9 [254x228.6]	1/10x9 [254x228.6]
Drive Type/No. Speeds	Direct/2	Direct/2	Direct/2	Direct/2
No. Motors	1	1	1	1
Motor HP	1/4	1/3	1/2	1/2
Motor RPM (Nominal)	1033	1080	1050	1050
Motor Frame Size	48	48	48	48
Filter—Type	Field Supplied	Field Supplied	Field Supplied	Field Supplied
Furnished	No	No	No	No
(No.) Size Recommended in. [mm]	(1)1x20x16 [25x508x406]	(1)1x20x20 [25x508x508]	(1)1x24x24 [25x610x610]	(1)1x24x24 [25x610x610]
Refrigerant Charge Oz. [g]	60 [1701]	58 [1644]	73 [2070]	73 [2070]
Weights				
Net Weight lbs. [kg]	304 [138]	306 [139]	309 [140]	309 [140]
Ship Weight lbs. [kg]	328 [149]	330 [150]	333 [151]	333 [151]

See Page 11 for Notes.

[] Designates Metric Conversions



NOMINAL SIZES 2-5 TONS [7-17.6 kW]

Model RSNJ- Series	A042CK	A042JK	A048CK	A048JK
Cooling Performance¹				CONTINUED →
Gross Cooling Capacity Btu [kW]	42,000 [12.3]	42,000 [12.3]	48,000 [14.1]	48,000 [14.1]
EER/SEER ²	11.3/13	11.3/13	11.4/13	11.4/13
Nominal CFM/ARI Rated CFM [L/s]	1400/1400 [661/661]	1400/1400 [661/661]	1500/1600 [708/755]	1500/1600 [708/755]
ARI Net Cooling Capacity Btu [kW]	40,500 [11.9]	40,500 [11.9]	46,000 [13.5]	46,000 [13.5]
Net Sensible Capacity Btu [kW]	31,100 [9.1]	31,100 [9.1]	35,800 [10.5]	35,800 [10.5]
Net Latent Capacity Btu [kW]	9400 [2.8]	9400 [2.8]	10,200 [3]	10,200 [3]
Net System Power kW	3.6	3.6	4	4
Compressor				
No./Type	1/Scroll	1/Scroll	1/Scroll	1/Scroll
Outdoor Sound Rating (dB)	76	76	78	78
Outdoor Coil—Fin Type	Louvered	Louvered	Louvered	Louvered
Tube Type	Rifled	Rifled	Rifled	Rifled
Tube Size in. [mm] OD	0.375 [9.5]	0.375 [9.5]	0.375 [9.5]	0.375 [9.5]
Face Area sq. ft. [sq. m]	12.65 [1.18]	12.65 [1.18]	16.54 [1.54]	16.54 [1.54]
Rows / FPI [FPcm]	1 / 22 [9]	1 / 22 [9]	1 / 22 [9]	1 / 22 [9]
Indoor Coil—Fin Type	Louvered	Louvered	Louvered	Louvered
Tube Type	Rifled	Rifled	Rifled	Rifled
Tube Size in. [mm]	0.375 [9.5]	0.375 [9.5]	0.375 [9.5]	0.375 [9.5]
Face Area sq. ft. [sq. m]	5.78 [0.54]	5.78 [0.54]	5.78 [0.54]	5.78 [0.54]
Rows / FPI [FPcm]	3 / 13 [5]	3 / 13 [5]	3 / 13 [5]	3 / 13 [5]
Refrigerant Control	TX Valves	TX Valves	TX Valves	TX Valves
Drain Connection No./Size in. [mm] ³	1/1 [25.4]	1/1 [25.4]	1/1 [25.4]	1/1 [25.4]
Outdoor Fan—Type	Propeller	Propeller	Propeller	Propeller
No. Used/Diameter in. [mm]	1/24 [609.6]	1/24 [609.6]	1/24 [609.6]	1/24 [609.6]
Drive Type/No. Speeds	Direct/1	Direct/1	Direct/1	Direct/1
CFM [L/s]	3400 [1604]	3400 [1604]	4200 [1982]	4200 [1982]
No. Motors/HP	1 at 1/3 HP	1 at 1/3 HP	1 at 1/3 HP	1 at 1/3 HP
Motor RPM	1075	1075	1075	1075
Indoor Fan—Type	FC Centrifugal	FC Centrifugal	FC Centrifugal	FC Centrifugal
No. Used/Diameter in. [mm]	1/11x9 [279.4x228.6]	1/11x9 [279.4x228.6]	1/11x9 [279.4x228.6]	1/11x9 [279.4x228.6]
Drive Type/No. Speeds	Direct/2	Direct/2	Direct/2	Direct/2
No. Motors	1	1	1	1
Motor HP	1/2	1/2	3/4	3/4
Motor RPM (Nominal)	1075	1075	1075	1075
Motor Frame Size	48	48	48	48
Filter—Type	Field Supplied	Field Supplied	Field Supplied	Field Supplied
Furnished	No	No	No	No
(No.) Size Recommended in. [mm]	(1)1x24x24 [25x610x610]	(1)1x24x24 [25x610x610]	(1)1x24x24 [25x610x610]	(1)1x24x24 [25x610x610]
Refrigerant Charge Oz. [g]	76 [2155]	76 [2155]	102 [2892]	102 [2892]
Weights				
Net Weight lbs. [kg]	333 [151]	333 [151]	349 [158]	349 [158]
Ship Weight lbs. [kg]	357 [162]	357 [162]	375 [170]	375 [170]

See Page 11 for Notes.

[] Designates Metric Conversions



NOMINAL SIZES 2-5 TONS [7-17.6 kW]

Model RSNJ- Series	A060CK	A060JK
Cooling Performance¹		
Gross Cooling Capacity Btu [kW]	64,000 [18.8]	64,000 [18.8]
EER/SEER ²	11.2/13	11.2/13
Nominal CFM/ARI Rated CFM [L/s]	2000/1900 [944/897]	2000/1900 [944/897]
ARI Net Cooling Capacity Btu [kW]	61,000 [17.9]	61,000 [17.9]
Net Sensible Capacity Btu [kW]	46,400 [13.6]	46,400 [13.6]
Net Latent Capacity Btu [kW]	14,600 [4.3]	14,600 [4.3]
Net System Power kW	5.5	5.5
Compressor		
No./Type	1/Scroll	1/Scroll
Outdoor Sound Rating (dB)		
	78	78
Outdoor Coil—Fin Type		
	Louvered	Louvered
Tube Type	Rifled	Rifled
Tube Size in. [mm] OD	0.375 [9.5]	0.375 [9.5]
Face Area sq. ft. [sq. m]	16.54 [1.54]	16.54 [1.54]
Rows / FPI [FPcm]	2 / 22 [9]	2 / 22 [9]
Indoor Coil—Fin Type		
	Louvered	Louvered
Tube Type	Rifled	Rifled
Tube Size in. [mm]	0.375 [9.5]	0.375 [9.5]
Face Area sq. ft. [sq. m]	5.78 [0.54]	5.78 [0.54]
Rows / FPI [FPcm]	4 / 13 [5]	4 / 13 [5]
Refrigerant Control	TX Valves	TX Valves
Drain Connection No./Size in. [mm] ³	1/1 [25.4]	1/1 [25.4]
Outdoor Fan—Type		
	Propeller	Propeller
No. Used/Diameter in. [mm]	1/24 [609.6]	1/24 [609.6]
Drive Type/No. Speeds	Direct/1	Direct/1
CFM [L/s]	4000 [1888]	4000 [1888]
No. Motors/HP	1 at 1/3 HP	1 at 1/3 HP
Motor RPM	1075	1075
Indoor Fan—Type		
	FC Centrifugal	FC Centrifugal
No. Used/Diameter in. [mm]	1/11x9 [279.4x228.6]	1/11x9 [279.4x228.6]
Drive Type/No. Speeds	Direct/2	Direct/2
No. Motors	1	1
Motor HP	3/4	3/4
Motor RPM (Nominal)	1075	1075
Motor Frame Size	48	48
Filter—Type		
	Field Supplied	Field Supplied
Furnished	No	No
(No.) Size Recommended in. [mm]	(1)1x24x24 [25x610x610]	(1)1x24x24 [25x610x610]
Refrigerant Charge Oz. [g]		
	173 [4905]	173 [4905]
Weights		
Net Weight lbs. [kg]	364 [165]	364 [165]
Ship Weight lbs. [kg]	390 [177]	390 [177]

See Page 11 for Notes.

[] Designates Metric Conversions



NOTES:

1. Cooling Performance is rated at 95° F ambient, 80° F entering dry bulb, 67° F entering wet bulb. Gross capacity does not include the effect of fan motor heat. ARI capacity is net and includes the effect of fan motor heat. Units are suitable for operation to $\pm 20\%$ of nominal cfm. Units are certified in accordance with the Unitary Air Conditioner Equipment certification program, which is based on ARI Standard 210/240 or 360.
2. EER and/or SEER are rated at ARI conditions and in accordance with DOE test procedures.
3. Standard 3/4" PVC P-Trap provided.

[] Designates Metric Conversions



GROSS SYSTEMS PERFORMANCE DATA—RSNJ-A024

		ENTERING INDOOR AIR @ 80°F [26.7°C] dbE ①									
wbE		71°F [21.7°C]			67°F [19.4°C]			63°F [17.2°C]			
CFM [L/s]		880 [415]	800 [378]	680 [321]	880 [415]	800 [378]	680 [321]	880 [415]	800 [378]	680 [321]	
DR ①		.13	.11	.08	.13	.11	.08	.13	.11	.08	
OUTDOOR DRY BULB TEMPERATURE °F [°C]	75 [23.9]	Total BTUH [kW] Sens BTUH [kW] Power	28.9 [8.47] 17.7 [5.19] 1.5	28.4 [8.32] 16.9 [4.95] 1.5	27.6 [8.09] 15.7 [4.60] 1.5	27.9 [8.18] 21.3 [6.24] 1.5	27.4 [8.03] 20.3 [5.95] 1.5	26.7 [7.83] 18.9 [5.54] 1.5	25.5 [7.47] 24.3 [7.12] 1.5	25.0 [7.33] 23.2 [6.80] 1.5	24.3 [7.12] 21.6 [6.33] 1.5
	80 [26.7]	Total BTUH [kW] Sens BTUH [kW] Power	28.7 [8.41] 17.5 [5.13] 1.6	28.2 [8.26] 16.7 [4.89] 1.6	27.4 [8.03] 15.6 [4.57] 1.6	27.7 [8.12] 21.1 [6.18] 1.6	27.2 [7.97] 20.2 [5.92] 1.6	26.5 [7.77] 18.8 [5.51] 1.6	25.3 [7.41] 24.1 [7.06] 1.6	24.8 [7.27] 23.0 [6.74] 1.6	24.1 [7.06] 21.4 [6.27] 1.5
	85 [29.4]	Total BTUH [kW] Sens BTUH [kW] Power	28.3 [8.29] 17.3 [5.07] 1.7	27.8 [8.15] 16.5 [4.84] 1.7	27.0 [7.91] 15.4 [4.51] 1.6	27.3 [8.00] 20.9 [6.13] 1.7	26.8 [7.85] 20.0 [5.86] 1.7	26.1 [7.65] 18.6 [5.45] 1.6	24.8 [7.27] 23.9 [7.00] 1.7	24.4 [7.15] 22.8 [6.68] 1.6	23.7 [6.95] 21.2 [6.21] 1.6
	90 [32.2]	Total BTUH [kW] Sens BTUH [kW] Power	27.7 [8.12] 17.0 [4.98] 1.8	27.2 [7.97] 16.2 [4.75] 1.7	26.5 [7.77] 15.1 [4.43] 1.7	26.7 [7.83] 20.6 [6.04] 1.8	26.2 [7.68] 19.7 [5.77] 1.7	25.5 [7.47] 18.3 [5.36] 1.7	24.3 [7.12] 23.6 [6.92] 1.7	23.8 [6.98] 22.5 [6.59] 1.7	23.2 [6.80] 20.9 [6.13] 1.7
	95 [35]	Total BTUH [kW] Sens BTUH [kW] Power	27.0 [7.91] 16.6 [4.86] 1.8	26.5 [7.77] 15.9 [4.66] 1.8	25.8 [7.56] 14.8 [4.34] 1.8	26.0 [7.62] 20.2 [5.92] 1.8	25.5 [7.47] 19.3 [5.66] 1.8	24.8 [7.27] 18.0 [5.28] 1.8	23.5 [6.89] 23.2 [6.80] 1.8	23.1 [6.77] 22.2 [6.51] 1.8	22.5 [6.59] 20.6 [6.04] 1.8
	100 [37.8]	Total BTUH [kW] Sens BTUH [kW] Power	26.1 [7.65] 16.2 [4.75] 1.9	25.7 [7.53] 15.5 [4.54] 1.9	25.0 [7.33] 14.4 [4.22] 1.9	25.1 [7.36] 19.8 [5.80] 1.9	24.7 [7.24] 18.9 [5.54] 1.9	24.0 [7.03] 17.6 [5.16] 1.9	22.7 [6.65] 22.7 [6.65] 1.9	22.3 [6.54] 21.8 [6.39] 1.9	21.7 [6.36] 20.3 [5.95] 1.9
	105 [40.6]	Total BTUH [kW] Sens BTUH [kW] Power	25.2 [7.39] 15.8 [4.63] 2.0	24.8 [7.27] 15.1 [4.43] 2.0	24.1 [7.06] 14.1 [4.13] 2.0	24.2 [7.09] 19.4 [5.69] 2.0	23.8 [6.98] 18.6 [5.45] 2.0	23.1 [6.77] 17.3 [5.07] 2.0	21.8 [6.39] 21.8 [6.39] 2.0	21.4 [6.27] 21.4 [6.27] 2.0	20.8 [6.10] 19.9 [5.83] 1.9
	110 [43.3]	Total BTUH [kW] Sens BTUH [kW] Power	24.2 [7.09] 15.4 [4.51] 2.1	23.8 [6.98] 14.7 [4.31] 2.1	23.1 [6.77] 13.7 [4.02] 2.0	23.2 [6.80] 19.0 [5.57] 2.1	22.8 [6.68] 18.2 [5.33] 2.1	22.2 [6.51] 16.9 [4.95] 2.0	20.8 [6.10] 20.8 [6.10] 2.1	20.4 [5.98] 20.4 [5.98] 2.1	19.8 [5.80] 19.6 [5.74] 2.0
	115 [46.1]	Total BTUH [kW] Sens BTUH [kW] Power	23.2 [6.80] 15.1 [4.43] 2.2	22.8 [6.68] 14.4 [4.22] 2.1	22.2 [6.51] 13.4 [3.93] 2.1	22.2 [6.51] 18.7 [5.48] 2.2	21.8 [6.39] 17.8 [5.22] 2.2	21.2 [6.21] 16.6 [4.86] 2.1	19.8 [5.80] 19.8 [5.80] 2.2	19.4 [5.69] 19.4 [5.69] 2.1	18.9 [5.54] 18.9 [5.54] 2.1

GROSS SYSTEMS PERFORMANCE DATA—RSNJ-A030

		ENTERING INDOOR AIR @ 80°F [26.7°C] dbE ①									
wbE		71°F [21.7°C]			67°F [19.4°C]			63°F [17.2°C]			
CFM [L/s]		1100 [519]	1000 [472]	850 [401]	1100 [519]	1000 [472]	850 [401]	1100 [519]	1000 [472]	850 [401]	
DR ①		.14	.12	.09	.14	.12	.09	.14	.12	.09	
OUTDOOR DRY BULB TEMPERATURE °F [°C]	75 [23.9]	Total BTUH [kW] Sens BTUH [kW] Power	36.2 [10.61] 22.4 [6.56] 1.8	35.5 [10.40] 21.4 [6.27] 1.8	34.6 [10.14] 19.9 [5.83] 1.8	34.3 [10.05] 26.6 [7.80] 1.8	33.7 [9.88] 25.4 [7.44] 1.8	32.8 [9.61] 23.6 [6.92] 1.8	32.2 [9.44] 30.8 [9.03] 1.8	31.7 [9.29] 29.4 [8.62] 1.8	30.8 [9.03] 27.3 [8.00] 1.8
	80 [26.7]	Total BTUH [kW] Sens BTUH [kW] Power	35.2 [10.32] 21.8 [6.39] 1.9	34.6 [10.14] 20.8 [6.10] 1.9	33.7 [9.88] 19.3 [5.66] 1.9	33.4 [9.79] 25.9 [7.59] 2.0	32.8 [9.61] 24.8 [7.27] 1.9	31.9 [9.35] 23.0 [6.74] 1.9	31.3 [9.17] 30.1 [8.82] 1.9	30.7 [9.00] 28.8 [8.44] 1.9	29.9 [8.76] 26.7 [7.83] 1.9
	85 [29.4]	Total BTUH [kW] Sens BTUH [kW] Power	34.4 [10.08] 21.2 [6.21] 2.1	33.8 [9.91] 20.3 [5.95] 2.0	32.8 [9.61] 18.8 [5.51] 2.0	32.5 [9.52] 25.4 [7.44] 2.1	31.9 [9.35] 24.2 [7.09] 2.0	31.1 [9.11] 22.5 [6.59] 2.0	30.4 [8.91] 29.6 [8.67] 2.0	29.9 [8.76] 28.2 [8.26] 2.0	29.1 [8.53] 26.3 [7.71] 2.0
	90 [32.2]	Total BTUH [kW] Sens BTUH [kW] Power	33.5 [9.82] 20.7 [6.07] 2.2	32.9 [9.64] 19.8 [5.80] 2.1	32.0 [9.38] 18.4 [5.39] 2.1	31.7 [9.29] 24.9 [7.30] 2.2	31.1 [9.11] 23.8 [6.98] 2.2	30.3 [8.88] 22.1 [6.48] 2.1	29.6 [8.67] 29.1 [8.53] 2.2	29.1 [8.53] 27.8 [8.15] 2.1	28.3 [8.29] 25.8 [7.56] 2.1
	95 [35]	Total BTUH [kW] Sens BTUH [kW] Power	32.7 [9.58] 20.3 [5.95] 2.3	32.1 [9.41] 19.4 [5.69] 2.3	31.2 [9.14] 18.1 [5.30] 2.2	30.9 [9.06] 24.5 [7.18] 2.3	30.3 [8.88] 23.4 [6.86] 2.3	29.5 [8.65] 21.8 [6.39] 2.2	28.8 [8.44] 28.6 [8.38] 2.3	28.2 [8.26] 27.4 [8.03] 2.2	27.5 [8.06] 25.5 [7.47] 2.2
	100 [37.8]	Total BTUH [kW] Sens BTUH [kW] Power	31.8 [9.32] 20.0 [5.86] 2.4	31.3 [9.17] 19.1 [5.60] 2.4	30.4 [8.91] 17.7 [5.19] 2.3	30.0 [8.79] 24.1 [7.06] 2.4	29.5 [8.65] 23.1 [6.77] 2.4	28.7 [8.41] 21.4 [6.27] 2.3	27.9 [8.18] 27.9 [8.18] 2.4	27.4 [8.03] 27.0 [7.91] 2.4	26.6 [7.80] 25.1 [7.36] 2.3
	105 [40.6]	Total BTUH [kW] Sens BTUH [kW] Power	30.9 [9.06] 19.6 [5.74] 2.5	30.3 [8.88] 18.7 [5.48] 2.5	29.5 [8.65] 17.4 [5.10] 2.4	29.1 [8.53] 23.8 [6.98] 2.5	28.5 [8.35] 22.7 [6.65] 2.5	27.8 [8.15] 21.1 [6.18] 2.5	27.0 [7.91] 27.0 [7.91] 2.5	26.5 [7.77] 26.5 [7.77] 2.5	25.7 [7.53] 24.8 [7.27] 2.4
	110 [43.3]	Total BTUH [kW] Sens BTUH [kW] Power	29.8 [8.73] 19.2 [5.63] 2.6	29.3 [8.59] 18.4 [5.39] 2.6	28.5 [8.35] 17.1 [5.01] 2.6	28.0 [8.21] 23.4 [6.86] 2.6	27.5 [8.06] 22.3 [6.54] 2.6	26.8 [7.85] 20.8 [6.10] 2.6	25.9 [7.59] 25.9 [7.59] 2.6	25.4 [7.44] 25.4 [7.44] 2.6	24.7 [7.24] 24.5 [7.18] 2.5
	115 [46.1]	Total BTUH [kW] Sens BTUH [kW] Power	28.7 [8.41] 18.8 [5.51] 2.7	28.1 [8.24] 18.0 [5.28] 2.7	27.4 [8.03] 16.7 [4.89] 2.7	26.8 [7.85] 23.0 [6.74] 2.7	26.3 [7.71] 21.9 [6.42] 2.7	25.6 [7.50] 20.4 [5.98] 2.7	24.7 [7.24] 24.7 [7.24] 2.7	24.3 [7.12] 24.3 [7.12] 2.7	23.6 [6.92] 23.6 [6.92] 2.7

DR —Depression ratio
dbE—Entering air dry bulb
wbE—Entering air wet bulb

Total —Total capacity x 1000 BTUH
Sens —Sensible capacity x 1000 BTUH
Power—kW input

NOTES: ① When the entering air dry bulb is other than 80°F [27°C], adjust the sensible capacity from the table by adding [1.10 x CFM x (1 - DR) x (dbE - 80)].

[] Designates Metric Conversions



SYSTEMS PERFORMANCE—RSNJ- SERIES

GROSS SYSTEMS PERFORMANCE DATA—RSNJ-A036

		ENTERING INDOOR AIR @ 80°F [26.7°C] dbE ①									
wbE		71°F [21.7°C]			67°F [19.4°C]			63°F [17.2°C]			
CFM [L/s]		1320 [623]	1200 [566]	1020 [481]	1320 [623]	1200 [566]	1020 [481]	1320 [623]	1200 [566]	1020 [481]	
DR ①		.01	.08	.04	.01	.08	.04	.01	.08	.04	
OUTDOOR DRY BULB TEMPERATURE °F [°C]	75 [23.9]	Total BTUH [kW]	42.9 [12.57]	42.1 [12.34]	41.0 [12.02]	40.2 [11.78]	39.5 [11.58]	38.4 [11.25]	38.2 [11.20]	37.5 [10.99]	36.5 [10.70]
		Sens BTUH [kW]	26.6 [7.80]	25.4 [7.44]	23.6 [6.92]	31.7 [9.29]	30.3 [8.88]	28.1 [8.24]	35.9 [10.52]	34.3 [10.05]	31.9 [9.35]
		Power	2.2	2.1	2.1	2.1	2.1	2.1	2.1	2.1	2.1
	80 [26.7]	Total BTUH [kW]	42.0 [12.31]	41.2 [12.07]	40.1 [11.75]	39.2 [11.49]	38.5 [11.28]	37.5 [10.99]	37.2 [10.90]	36.6 [10.73]	35.6 [10.43]
		Sens BTUH [kW]	26.1 [7.65]	24.9 [7.30]	23.2 [6.80]	31.2 [9.14]	29.8 [8.73]	27.7 [8.12]	35.4 [10.37]	33.9 [9.94]	31.5 [9.23]
		Power	2.3	2.3	2.2	2.3	2.2	2.2	2.3	2.2	2.2
	85 [29.4]	Total BTUH [kW]	41.1 [12.05]	40.3 [11.81]	39.2 [11.49]	38.3 [11.22]	37.6 [11.02]	36.6 [10.73]	36.3 [10.64]	35.7 [10.46]	34.7 [10.17]
		Sens BTUH [kW]	25.7 [7.53]	24.5 [7.18]	22.8 [6.68]	30.8 [9.03]	29.4 [8.62]	27.4 [8.03]	35.1 [10.29]	33.5 [9.82]	31.1 [9.11]
		Power	2.4	2.4	2.3	2.4	2.4	2.3	2.4	2.4	2.3
	90 [32.2]	Total BTUH [kW]	40.2 [11.78]	39.5 [11.58]	38.4 [11.25]	37.5 [10.99]	36.8 [10.79]	35.8 [10.49]	35.5 [10.40]	34.8 [10.20]	33.9 [9.94]
Sens BTUH [kW]		25.3 [7.41]	24.2 [7.09]	22.5 [6.59]	30.4 [8.91]	29.0 [8.50]	27.0 [7.91]	34.7 [10.17]	33.1 [9.70]	30.8 [9.03]	
Power		2.5	2.5	2.5	2.5	2.5	2.4	2.5	2.5	2.5	
95 [35]	Total BTUH [kW]	39.4 [11.55]	38.7 [11.34]	37.6 [11.02]	36.6 [10.73]	36.0 [10.55]	35.0 [10.26]	34.6 [10.14]	34.0 [9.96]	33.1 [9.70]	
	Sens BTUH [kW]	24.9 [7.30]	23.8 [6.98]	22.1 [6.48]	30.0 [8.79]	28.7 [8.41]	26.7 [7.83]	34.2 [10.02]	32.7 [9.58]	30.4 [8.91]	
	Power	2.6	2.6	2.6	2.6	2.6	2.6	2.6	2.6	2.6	
100 [37.8]	Total BTUH [kW]	38.5 [11.28]	37.8 [11.08]	36.8 [10.79]	35.8 [10.49]	35.1 [10.29]	34.2 [10.02]	33.8 [9.91]	33.2 [9.73]	32.3 [9.47]	
	Sens BTUH [kW]	24.5 [7.18]	23.4 [6.86]	21.8 [6.39]	29.6 [8.67]	28.3 [8.29]	26.3 [7.71]	33.8 [9.91]	32.3 [9.47]	30.1 [8.82]	
	Power	2.8	2.7	2.7	2.7	2.7	2.7	2.7	2.7	2.7	
105 [40.6]	Total BTUH [kW]	37.6 [11.02]	36.9 [10.81]	35.9 [10.52]	34.8 [10.20]	34.2 [10.02]	33.3 [9.76]	32.8 [9.61]	32.3 [9.47]	31.4 [9.20]	
	Sens BTUH [kW]	24.0 [7.03]	23.0 [6.74]	21.4 [6.27]	29.2 [8.56]	27.9 [8.18]	25.9 [7.59]	32.8 [9.61]	31.9 [9.35]	29.7 [8.70]	
	Power	2.9	2.9	2.8	2.9	2.8	2.8	2.9	2.8	2.8	
110 [43.3]	Total BTUH [kW]	36.6 [10.73]	35.9 [10.52]	35.0 [10.26]	33.8 [9.91]	33.2 [9.73]	32.3 [9.47]	31.9 [9.35]	31.3 [9.17]	30.4 [8.91]	
	Sens BTUH [kW]	23.6 [6.92]	22.5 [6.59]	20.9 [6.13]	28.7 [8.41]	27.4 [8.03]	25.5 [7.47]	31.9 [9.35]	31.3 [9.17]	29.2 [8.56]	
	Power	3.0	3.0	2.9	3.0	3.0	2.9	3.0	3.0	2.9	
115 [46.1]	Total BTUH [kW]	35.5 [10.40]	34.9 [10.23]	33.9 [9.94]	32.8 [9.61]	32.2 [9.44]	31.3 [9.17]	30.8 [9.03]	30.2 [8.85]	29.4 [8.62]	
	Sens BTUH [kW]	23.0 [6.74]	22.0 [6.45]	20.4 [5.98]	28.1 [8.24]	26.8 [7.85]	25.0 [7.33]	30.8 [9.03]	30.2 [8.85]	28.7 [8.41]	
	Power	3.1	3.1	3.1	3.1	3.1	3.0	3.1	3.1	3.0	

GROSS SYSTEMS PERFORMANCE DATA—RSNJ-A042

		ENTERING INDOOR AIR @ 80°F [26.7°C] dbE ①									
wbE		71°F [21.7°C]			67°F [19.4°C]			63°F [17.2°C]			
CFM [L/s]		1540 [727]	1400 [661]	1190 [562]	1540 [727]	1400 [661]	1190 [562]	1540 [727]	1400 [661]	1190 [562]	
DR ①		.13	.11	.08	.13	.11	.08	.13	.11	.08	
OUTDOOR DRY BULB TEMPERATURE °F [°C]	75 [23.9]	Total BTUH [kW]	51.2 [15.01]	50.3 [14.74]	48.9 [14.33]	47.6 [13.95]	46.7 [13.69]	45.5 [13.33]	44.8 [13.13]	44.0 [12.90]	42.8 [12.54]
		Sens BTUH [kW]	30.0 [8.79]	28.6 [8.38]	26.6 [7.80]	36.2 [10.61]	34.5 [10.11]	32.1 [9.41]	41.1 [12.05]	39.3 [11.52]	36.5 [10.70]
		Power	2.6	2.6	2.5	2.6	2.5	2.5	2.5	2.5	2.5
	80 [26.7]	Total BTUH [kW]	49.6 [14.54]	48.7 [14.27]	47.4 [13.89]	46.0 [13.48]	45.2 [13.25]	43.9 [12.87]	43.2 [12.66]	42.4 [12.43]	41.3 [12.10]
		Sens BTUH [kW]	29.6 [8.67]	28.3 [8.29]	26.3 [7.71]	35.8 [10.49]	34.2 [10.02]	31.8 [9.32]	40.7 [11.93]	38.9 [11.40]	36.2 [10.61]
		Power	2.7	2.7	2.7	2.7	2.7	2.7	2.7	2.7	2.6
	85 [29.4]	Total BTUH [kW]	48.4 [14.18]	47.5 [13.92]	46.2 [13.54]	44.8 [13.13]	44.0 [12.90]	42.8 [12.54]	42.0 [12.31]	41.2 [12.07]	40.1 [11.75]
		Sens BTUH [kW]	29.1 [8.53]	27.8 [8.15]	25.9 [7.59]	35.3 [10.35]	33.7 [9.88]	31.4 [9.20]	40.3 [11.81]	38.5 [11.28]	35.8 [10.49]
		Power	2.9	2.9	2.8	2.9	2.8	2.8	2.8	2.8	2.8
	90 [32.2]	Total BTUH [kW]	47.4 [13.89]	46.5 [13.63]	45.3 [13.28]	43.8 [12.84]	43.0 [12.60]	41.8 [12.25]	41.0 [12.02]	40.2 [11.78]	39.1 [11.46]
Sens BTUH [kW]		28.6 [8.38]	27.4 [8.03]	25.5 [7.47]	34.8 [10.20]	33.3 [9.76]	30.9 [9.06]	39.8 [11.66]	38.0 [11.14]	35.4 [10.37]	
Power		3.0	3.0	3.0	3.0	3.0	3.0	3.0	3.0	2.9	
95 [35]	Total BTUH [kW]	46.5 [13.63]	45.7 [13.39]	44.5 [13.04]	42.9 [12.57]	42.1 [12.34]	41.0 [12.02]	40.1 [11.75]	39.4 [11.55]	38.3 [11.22]	
	Sens BTUH [kW]	28.1 [8.24]	26.8 [7.85]	25.0 [7.33]	34.3 [10.05]	32.7 [9.58]	30.4 [8.91]	39.2 [11.49]	37.5 [10.99]	34.9 [10.23]	
	Power	3.2	3.2	3.1	3.2	3.1	3.1	3.2	3.1	3.1	
100 [37.8]	Total BTUH [kW]	45.7 [13.39]	44.9 [13.16]	43.6 [12.78]	42.1 [12.34]	41.3 [12.10]	40.2 [11.78]	39.3 [11.52]	38.6 [11.31]	37.5 [10.99]	
	Sens BTUH [kW]	27.5 [8.06]	26.3 [7.71]	24.5 [7.18]	33.7 [9.88]	32.2 [9.44]	29.9 [8.76]	38.7 [11.34]	36.9 [10.81]	34.4 [10.08]	
	Power	3.4	3.3	3.3	3.3	3.3	3.3	3.3	3.3	3.2	
105 [40.6]	Total BTUH [kW]	44.7 [13.10]	43.9 [12.87]	42.7 [12.51]	41.1 [12.05]	40.4 [11.84]	39.3 [11.52]	38.3 [11.22]	37.6 [11.02]	36.6 [10.73]	
	Sens BTUH [kW]	26.9 [7.88]	25.7 [7.53]	23.9 [7.00]	33.1 [9.70]	31.6 [9.26]	29.4 [8.62]	38.1 [11.17]	36.4 [10.67]	33.8 [9.91]	
	Power	3.5	3.5	3.4	3.5	3.5	3.4	3.5	3.4	3.4	
110 [43.3]	Total BTUH [kW]	43.6 [12.78]	42.8 [12.54]	41.6 [12.19]	40.0 [11.72]	39.2 [11.49]	38.2 [11.20]	37.1 [10.87]	36.5 [10.70]	35.5 [10.40]	
	Sens BTUH [kW]	26.3 [7.71]	25.2 [7.39]	23.4 [6.86]	32.5 [9.52]	31.1 [9.11]	28.9 [8.47]	37.1 [10.87]	35.8 [10.49]	33.3 [9.76]	
	Power	3.7	3.6	3.6	3.6	3.6	3.6	3.6	3.6	3.5	
115 [46.1]	Total BTUH [kW]	42.1 [12.34]	41.3 [12.10]	40.2 [11.78]	38.5 [11.28]	37.8 [11.08]	36.7 [10.76]	35.7 [10.46]	35.0 [10.26]	34.1 [9.99]	
	Sens BTUH [kW]	25.7 [7.53]	24.6 [7.21]	22.9 [6.71]	31.9 [9.35]	30.5 [8.94]	28.3 [8.29]	35.7 [10.46]	35.0 [10.26]	32.8 [9.61]	
	Power	3.8	3.8	3.7	3.8	3.8	3.7	3.8	3.7	3.7	

DR —Depression ratio
dbE—Entering air dry bulb
wbE—Entering air wet bulb

Total —Total capacity x 1000 BTUH
Sens —Sensible capacity x 1000 BTUH
Power—KW input

NOTES: ① When the entering air dry bulb is other than 80°F [27°C], adjust the sensible capacity from the table by adding $[1.10 \times \text{CFM} \times (1 - \text{DR}) \times (\text{dbE} - 80)]$.

[] Designates Metric Conversions

SYSTEMS PERFORMANCE—RSNJ- SERIES



GROSS SYSTEMS PERFORMANCE DATA—RSNJ-A048

		ENTERING INDOOR AIR @ 80°F [26.7°C] dbE ①									
wbE		71°F [21.7°C]			67°F [19.4°C]			63°F [17.2°C]			
CFM [L/s]		1760 [831]	1600 [755]	1360 [642]	1760 [831]	1600 [755]	1360 [642]	1760 [831]	1600 [755]	1360 [642]	
DR ①		.12	.10	.06	.12	.10	.06	.12	.10	.06	
OUTDOOR DRY BULB TEMPERATURE °F [°C]	75 [23.9]	Total BTUH [kW] Sens BTUH [kW] Power	55.9 [16.38] 34.4 [10.08] 2.9	54.9 [16.09] 32.9 [9.64] 2.8	53.4 [15.65] 30.6 [8.97] 2.8	52.7 [15.44] 41.5 [12.16] 2.9	51.7 [15.15] 39.6 [11.61] 2.8	50.3 [14.74] 36.8 [10.79] 2.8	49.8 [14.59] 46.1 [13.51] 2.8	48.9 [14.33] 44.0 [12.90] 2.8	47.6 [13.95] 41.0 [12.02] 2.8
	80 [26.7]	Total BTUH [kW] Sens BTUH [kW] Power	55.3 [16.21] 33.8 [9.91] 3.0	54.3 [15.91] 32.3 [9.47] 3.0	52.8 [15.47] 30.1 [8.82] 3.0	52.1 [15.27] 40.9 [11.99] 3.0	51.1 [14.98] 39.1 [11.46] 3.0	49.7 [14.57] 36.3 [10.64] 3.0	49.2 [14.42] 45.5 [13.33] 3.0	48.3 [14.16] 43.5 [12.75] 3.0	47.0 [13.77] 40.5 [11.87] 2.9
	85 [29.4]	Total BTUH [kW] Sens BTUH [kW] Power	54.4 [15.94] 33.4 [9.79] 3.2	53.4 [15.65] 31.9 [9.35] 3.1	52.0 [15.24] 29.6 [8.67] 3.1	51.2 [15.01] 40.4 [11.84] 3.2	50.3 [14.74] 38.6 [11.31] 3.1	48.9 [14.33] 35.9 [10.52] 3.1	48.3 [14.16] 45.0 [13.19] 3.1	47.5 [13.92] 43.0 [12.60] 3.1	46.2 [13.54] 40.0 [11.72] 3.1
	90 [32.2]	Total BTUH [kW] Sens BTUH [kW] Power	53.3 [15.62] 32.9 [9.64] 3.3	52.3 [15.33] 31.4 [9.20] 3.3	50.9 [14.92] 29.2 [8.56] 3.3	50.1 [14.68] 40.0 [11.72] 3.3	49.2 [14.42] 38.2 [11.20] 3.3	47.8 [14.01] 35.5 [10.40] 3.3	47.2 [13.83] 44.6 [13.07] 3.3	46.4 [13.60] 42.6 [12.48] 3.3	45.1 [13.22] 39.6 [11.61] 3.2
	95 [35]	Total BTUH [kW] Sens BTUH [kW] Power	52.0 [15.24] 32.4 [9.50] 3.5	51.1 [14.98] 31.0 [9.09] 3.5	49.7 [14.57] 28.8 [8.44] 3.4	48.8 [14.30] 39.5 [11.58] 3.5	47.9 [14.04] 37.7 [11.05] 3.4	46.6 [13.66] 35.1 [10.29] 3.4	46.0 [13.48] 44.1 [12.92] 3.4	45.2 [13.25] 42.2 [12.37] 3.4	43.9 [12.87] 39.2 [11.49] 3.4
	100 [37.8]	Total BTUH [kW] Sens BTUH [kW] Power	50.7 [14.86] 31.9 [9.35] 3.6	49.8 [14.59] 30.5 [8.94] 3.6	48.4 [14.18] 28.4 [8.32] 3.6	47.4 [13.89] 39.0 [11.43] 3.6	46.6 [13.66] 37.2 [10.90] 3.6	45.3 [13.28] 34.6 [10.14] 3.6	44.6 [13.07] 43.6 [12.78] 3.6	43.8 [12.84] 41.7 [12.22] 3.6	42.6 [12.48] 38.8 [11.37] 3.5
	105 [40.6]	Total BTUH [kW] Sens BTUH [kW] Power	49.2 [14.42] 31.3 [9.17] 3.8	48.3 [14.16] 29.9 [8.76] 3.8	47.0 [13.77] 27.8 [8.15] 3.7	46.0 [13.48] 38.3 [11.22] 3.8	45.2 [13.25] 36.6 [10.73] 3.8	43.9 [12.87] 34.1 [9.99] 3.7	43.1 [12.63] 43.0 [12.60] 3.8	42.4 [12.43] 41.1 [12.05] 3.7	41.2 [12.07] 38.2 [11.20] 3.7
	110 [43.3]	Total BTUH [kW] Sens BTUH [kW] Power	47.8 [14.01] 30.5 [8.94] 4.0	46.9 [13.75] 29.1 [8.53] 3.9	45.6 [13.36] 27.1 [7.94] 3.9	44.5 [13.04] 37.5 [10.99] 3.9	43.7 [12.81] 35.9 [10.52] 3.9	42.5 [12.46] 33.4 [9.79] 3.9	41.7 [12.22] 41.7 [12.22] 3.9	40.9 [11.99] 40.3 [11.81] 3.9	39.8 [11.66] 37.5 [10.99] 3.8
	115 [46.1]	Total BTUH [kW] Sens BTUH [kW] Power	46.3 [13.57] 29.5 [8.65] 4.1	45.5 [13.33] 28.1 [8.24] 4.1	44.3 [12.98] 26.2 [7.68] 4.0	43.1 [12.63] 36.5 [10.70] 4.1	42.3 [12.40] 34.9 [10.23] 4.1	41.2 [12.07] 32.4 [9.50] 4.0	40.3 [11.81] 40.3 [11.81] 4.1	39.6 [11.61] 39.3 [11.52] 4.0	38.5 [11.28] 36.6 [10.73] 4.0

GROSS SYSTEMS PERFORMANCE DATA—RSNJ-A060

		ENTERING INDOOR AIR @ 80°F [26.7°C] dbE ①									
wbE		71°F [21.7°C]			67°F [19.4°C]			63°F [17.2°C]			
CFM [L/s]		2090 [986]	1900 [897]	1620 [765]	2090 [986]	1900 [897]	1620 [765]	2090 [986]	1900 [897]	1620 [765]	
DR ①		.05	.03	0	.05	.03	0	.05	.03	0	
OUTDOOR DRY BULB TEMPERATURE °F [°C]	75 [23.9]	Total BTUH [kW] Sens BTUH [kW] Power	73.8 [21.63] 44.8 [13.13] 3.8	72.5 [21.25] 42.8 [12.54] 3.8	70.5 [20.66] 39.8 [11.66] 3.7	70.1 [20.54] 53.8 [15.77] 3.8	68.9 [20.19] 51.4 [15.06] 3.8	67.0 [19.64] 47.8 [14.01] 3.7	64.3 [18.84] 60.4 [17.70] 3.7	63.2 [18.52] 57.7 [16.91] 3.7	61.5 [18.02] 53.6 [15.71] 3.7
	80 [26.7]	Total BTUH [kW] Sens BTUH [kW] Power	73.6 [21.57] 45.0 [13.19] 4.0	72.3 [21.19] 43.0 [12.60] 4.0	70.3 [20.60] 40.0 [11.72] 4.0	70.0 [20.51] 54.0 [15.83] 4.0	68.7 [20.13] 51.6 [15.12] 4.0	66.8 [19.58] 48.0 [14.07] 3.9	64.2 [18.82] 60.5 [17.73] 4.0	63.0 [18.46] 57.8 [16.94] 3.9	61.3 [17.97] 53.8 [15.77] 3.9
	85 [29.4]	Total BTUH [kW] Sens BTUH [kW] Power	72.6 [21.28] 44.6 [13.07] 4.3	71.3 [20.90] 42.6 [12.48] 4.2	69.3 [20.31] 39.6 [11.61] 4.2	68.9 [20.19] 53.6 [15.71] 4.2	67.7 [19.84] 51.2 [15.01] 4.2	65.8 [19.28] 47.6 [13.95] 4.1	63.1 [18.49] 60.2 [17.64] 4.2	62.0 [18.17] 57.4 [16.82] 4.1	60.3 [17.67] 53.4 [15.65] 4.1
	90 [32.2]	Total BTUH [kW] Sens BTUH [kW] Power	70.9 [20.78] 43.7 [12.81] 4.5	69.6 [20.40] 41.8 [12.25] 4.4	67.7 [19.84] 38.9 [11.40] 4.4	67.2 [19.69] 52.7 [15.44] 4.4	66.0 [19.34] 50.4 [14.77] 4.4	64.2 [18.82] 46.8 [13.72] 4.3	61.4 [17.99] 59.4 [17.41] 4.4	60.3 [17.67] 56.6 [16.59] 4.4	58.7 [17.20] 52.7 [15.44] 4.3
	95 [35]	Total BTUH [kW] Sens BTUH [kW] Power	68.7 [20.13] 42.6 [12.48] 4.7	67.5 [19.78] 40.7 [11.93] 4.7	65.7 [19.25] 37.9 [11.11] 4.6	65.1 [19.08] 51.6 [15.12] 4.7	63.9 [18.73] 49.3 [14.45] 4.6	62.2 [18.23] 45.8 [13.42] 4.6	59.3 [17.38] 58.1 [17.03] 4.6	58.2 [17.06] 55.6 [16.29] 4.6	56.6 [16.59] 51.7 [15.15] 4.5
	100 [37.8]	Total BTUH [kW] Sens BTUH [kW] Power	66.3 [19.43] 41.4 [12.13] 4.9	65.1 [19.08] 39.5 [11.58] 4.9	63.4 [18.58] 36.8 [10.79] 4.8	62.7 [18.38] 50.4 [14.77] 4.9	61.6 [18.05] 48.1 [14.10] 4.8	59.9 [17.55] 44.8 [13.13] 4.8	56.9 [16.68] 56.9 [16.68] 4.8	55.9 [16.38] 54.4 [15.94] 4.8	54.3 [15.91] 50.6 [14.83] 4.7
	105 [40.6]	Total BTUH [kW] Sens BTUH [kW] Power	63.9 [18.73] 40.2 [11.78] 5.1	62.8 [18.40] 38.4 [11.25] 5.1	61.1 [17.91] 35.7 [10.46] 5.0	60.3 [17.67] 49.2 [14.42] 5.1	59.2 [17.35] 47.0 [13.77] 5.1	57.6 [16.88] 43.7 [12.81] 5.0	54.5 [15.97] 54.5 [15.97] 5.0	53.5 [15.68] 53.3 [15.62] 5.0	52.0 [15.24] 49.5 [14.51] 4.9
	110 [43.3]	Total BTUH [kW] Sens BTUH [kW] Power	61.7 [18.08] 39.2 [11.49] 5.4	60.6 [17.76] 37.5 [10.99] 5.3	58.9 [17.26] 34.9 [10.23] 5.2	58.0 [17.00] 48.2 [14.13] 5.3	57.0 [16.71] 46.1 [13.51] 5.3	55.4 [16.24] 42.9 [12.57] 5.2	52.2 [15.30] 52.2 [15.30] 5.3	51.3 [15.03] 51.3 [15.03] 5.2	49.9 [14.62] 48.7 [14.27] 5.2
	115 [46.1]	Total BTUH [kW] Sens BTUH [kW] Power	59.8 [17.53] 38.6 [11.31] 5.6	58.8 [17.23] 36.9 [10.81] 5.5	57.2 [16.76] 34.3 [10.05] 5.5	56.2 [16.47] 47.6 [13.95] 5.5	55.2 [16.18] 45.5 [13.33] 5.5	53.7 [15.74] 42.3 [12.40] 5.4	50.4 [14.77] 50.4 [14.77] 5.5	49.5 [14.51] 49.5 [14.51] 5.4	48.1 [14.10] 48.1 [14.10] 5.4

DR —Depression ratio
dbE—Entering air dry bulb
wbE—Entering air wet bulb

Total —Total capacity x 1000 BTUH
Sens —Sensible capacity x 1000 BTUH
Power—kW input

NOTES: ① When the entering air dry bulb is other than 80°F [27°C], adjust the sensible capacity from the table by adding $[(1.10 \times \text{CFM} \times (1 - \text{DR})) \times (\text{dbE} - 80)]$.

[] Designates Metric Conversions



INDOOR AIRFLOW PERFORMANCE—230 VOLTS

Nominal Cooling Capacity Tons [kW]	Motor Speed from Factory	Manufacturer Recommended Air-Flow Range (Min/Max) CFM	Blower Size/ Motor HP [W] & # of Speeds	Motor Speed	CFM [L/s] Air Delivery/RPM/Watts—230 Volts Side Discharge—Wet Coil											
					External Static Pressure—Inches W.C. [kPa]											
					0.1 [0.02]	0.2 [0.05]	0.3 [0.07]	0.4 [0.10]	0.5 [0.12]	0.6 [0.15]	0.7 [0.17]	0.8 [0.20]	0.9 [0.22]	1.0 [0.25]		
2.0 [7.03]	Low	700/900	10x9 1/4 HP [186] 2 Speed Motor	Low	CFM	827 [390]	811 [383]	782 [369]	740 [349]	684 [323]	614 [290]	531 [251]	435 [205]	—	—	
					RPM	450	533	626	742	799	894	932	985	—	—	
					Watts	278	273	269	254	244	227	216	198	—	—	
2.5 [8.79]	Low	875/1125	10x9 1/3 HP [249] 2 Speed Motor	High	CFM	1230 [581]	1223 [577]	1216 [574]	1211 [571]	1187 [560]	1125 [531]	1020 [481]	874 [412]	696 [328]	504 [238]	
					RPM	575	643	703	767	819	877	976	1001	1072	1092	—
					Watts	479	468	455	448	431	416	357	341	279	259	—
3.0 [10.55]	Low	1050/1350	10x9 1/2 HP [373] 2 Speed Motor	Low	CFM	1032 [487]	1030 [486]	1014 [478]	979 [462]	923 [436]	843 [398]	735 [347]	596 [281]	423 [200]	—	
					RPM	533	570	659	746	795	863	934	1019	1050	—	—
					Watts	336	331	326	314	303	280	271	227	210	—	—
3.5 [12.31]	Low	1225/1575	11x9 1/2 HP [373] 2 Speed Motor	High	CFM	1312 [619]	1301 [614]	1292 [610]	1276 [602]	1246 [588]	1196 [564]	1117 [527]	1003 [473]	845 [399]	—	
					RPM	592	646	712	768	824	883	933	1012	1035	—	—
					Watts	482	473	466	454	433	421	401	349	329	—	—
4.0 [14.07]	Low	1400/1800	11x9 3/4 HP [559] 2 Speed Motor	Low	CFM	1302 [615]	1280 [604]	1253 [592]	1217 [574]	1165 [550]	1091 [515]	990 [467]	855 [404]	681 [321]	461 [218]	
					RPM	588	662	738	772	831	884	976	995	1026	1086	—
					Watts	415	410	402	394	386	372	333	325	305	266	—
5.0 [17.6]	Low	1750/2250	11x9 3/4 HP [559] 2 Speed Motor	High	CFM	2105 [993]	2024 [955]	1974 [932]	1936 [914]	1893 [893]	1827 [862]	1722 [813]	1560 [736]	1323 [624]	994 [469]	
					RPM	843	875	902	927	957	980	1009	1036	1064	1106	—
					Watts	837	814	799	774	752	729	689	649	595	509	—
4.0 [14.07]	Low	1400/1800	11x9 3/4 HP [559] 2 Speed Motor	Low	CFM	1452 [685]	1395 [658]	1343 [634]	1292 [610]	1239 [585]	1180 [557]	1110 [524]	1025 [484]	922 [435]	—	
					RPM	552	602	663	704	746	797	836	871	920	—	—
					Watts	477	471	458	452	443	430	418	410	388	—	—
5.0 [17.6]	Low	1750/2250	11x9 3/4 HP [559] 2 Speed Motor	High	CFM	1984 [936]	1945 [918]	1899 [896]	1846 [871]	1785 [842]	1713 [808]	1632 [770]	1538 [726]	1432 [676]	1312 [619]	
					RPM	696	725	763	799	828	869	898	925	966	984	—
					Watts	769	758	740	725	709	689	665	643	607	587	—
4.0 [14.07]	Low	1400/1800	11x9 3/4 HP [559] 2 Speed Motor	Low	CFM	1601 [756]	1567 [740]	1527 [721]	1480 [698]	1426 [673]	1366 [645]	1298 [613]	1224 [578]	1143 [539]	1055 [498]	
					RPM	566	620	677	713	752	787	829	878	908	947	—
					Watts	558	548	542	533	526	513	501	480	466	446	—
5.0 [17.6]	Low	1750/2250	11x9 3/4 HP [559] 2 Speed Motor	High	CFM	1996 [942]	1976 [933]	1947 [919]	1909 [901]	1863 [879]	1808 [853]	1744 [823]	1671 [789]	1590 [750]	1500 [708]	
					RPM	669	699	730	780	815	842	875	908	936	978	—
					Watts	770	767	754	745	726	719	695	676	653	618	—
5.0 [17.6]	Low	1750/2250	11x9 3/4 HP [559] 2 Speed Motor	Low	CFM	1988 [938]	1975 [932]	1950 [920]	1912 [903]	1862 [879]	1799 [849]	1724 [814]	1636 [772]	1536 [725]	1423 [672]	
					RPM	697	706	749	775	805	846	879	909	953	991	—
					Watts	860	854	841	834	824	798	780	759	721	690	—
5.0 [17.6]	Low	1750/2250	11x9 3/4 HP [559] 2 Speed Motor	High	CFM	2640 [1246]	2619 [1236]	2586 [1220]	2542 [1200]	2486 [1173]	2419 [1142]	2340 [1104]	2249 [1061]	2148 [1014]	2034 [960]	
					RPM	905	913	920	930	949	965	979	997	1013	1030	—
					Watts	1408	1401	1394	1382	1356	1321	1292	1254	1210	1168	—

[] Designates Metric Conversions

AIRFLOW PERFORMANCE—RSNJ- SERIES



INDOOR AIRFLOW PERFORMANCE—208 VOLTS

Nominal Cooling Capacity Tons [kW]	Motor Speed from Factory	Manufacturer Recommended Air-Flow Range (Min/Max) CFM	Blower Size/ Motor HP [W] & # of Speeds	Motor Speed	CFM [L/s] Air Delivery/RPM/Watts—208 Volts Side Discharge—Wet Coil										
					External Static Pressure—Inches W.C. [kPa]										
					0.1 [1.02]	0.2 [0.05]	0.3 [1.07]	0.4 [1.10]	0.5 [1.12]	0.6 [1.15]	0.7 [1.17]	0.8 [1.20]	0.9 [1.22]	1.0 [1.25]	
2.0 [7.03]	Low	700/900	10x9 1/4 HP [186] 2 Speed Motor	Low	CFM	723 [341]	692 [327]	654 [309]	609 [287]	556 [262]	496 [234]	428 [202]	—	—	—
					RPM	443	528	651	710	819	863	914	—	—	—
					Watts	230	222	219	214	202	196	184	—	—	—
	High	700/900	10x9 1/4 HP [186] 2 Speed Motor	High	CFM	1062 [501]	1062 [501]	1058 [499]	1043 [492]	1013 [478]	982 [454]	884 [417]	774 [365]	627 [296]	437 [206]
					RPM	528	618	674	735	812	895	936	985	1055	1080
					Watts	396	393	384	376	361	335	318	297	244	223
2.5 [8.79]	Low	875/1125	10x9 1/3 HP [249] 2 Speed Motor	Low	CFM	923 [436]	904 [427]	874 [412]	832 [393]	774 [365]	698 [329]	602 [284]	483 [228]	—	—
					RPM	498	543	648	728	806	853	947	989	—	—
					Watts	280	278	268	259	252	243	219	201	—	—
	High	875/1125	10x9 1/3 HP [249] 2 Speed Motor	High	CFM	1164 [549]	1154 [545]	1143 [539]	1124 [530]	1090 [514]	1034 [488]	948 [447]	826 [390]	660 [311]	445 [210]
					RPM	526	596	670	744	803	864	945	971	1051	1078
					Watts	401	398	388	379	371	350	322	310	259	235
3.0 [10.55]	Low	1050/1350	10x9 1/2 HP [373] 2 Speed Motor	Low	CFM	1169 [552]	1133 [535]	1099 [519]	1060 [500]	1010 [477]	942 [445]	852 [402]	732 [345]	576 [272]	379 [179]
					RPM	540	623	681	757	814	906	931	971	1018	1074
					Watts	346	343	338	331	324	300	290	279	255	226
	High	1050/1350	10x9 1/2 HP [373] 2 Speed Motor	High	CFM	1915 [904]	1842 [869]	1798 [849]	1767 [834]	1731 [817]	1676 [791]	1586 [749]	1443 [681]	1233 [582]	939 [443]
					RPM	778	812	849	887	924	958	985	1019	1055	1095
					Watts	710	696	684	662	647	623	599	561	508	441
3.5 [12.31]	Low	1225/1575	11x9 1/2 HP [373] 2 Speed Motor	Low	CFM	1259 [594]	1221 [576]	1178 [556]	1129 [533]	1075 [507]	1013 [478]	943 [445]	864 [408]	774 [365]	672 [317]
					RPM	653	685	716	757	807	845	889	926	957	984
					Watts	651	639	628	618	598	590	560	538	515	493
	High	1225/1575	11x9 1/2 HP [373] 2 Speed Motor	High	CFM	1766 [833]	1727 [815]	1684 [795]	1636 [772]	1581 [746]	1518 [716]	1445 [682]	1360 [642]	1261 [595]	1147 [541]
					RPM	653	685	716	757	807	845	889	926	957	984
					Watts	651	639	628	618	598	590	560	538	515	493
4.0 [14.07]	Low	1400/1800	11x9 3/4 HP [559] 2 Speed Motor	Low	CFM	1403 [662]	1382 [652]	1350 [637]	1308 [617]	1254 [592]	1189 [561]	1113 [525]	1026 [484]	929 [438]	820 [387]
					RPM	528	574	631	682	733	775	824	855	912	968
					Watts	465	456	449	443	440	432	416	406	385	357
	High	1400/1800	11x9 3/4 HP [559] 2 Speed Motor	High	CFM	1758 [830]	1722 [813]	1680 [793]	1633 [771]	1581 [746]	1524 [719]	1462 [690]	1394 [658]	1322 [624]	1244 [587]
					RPM	619	652	698	738	781	816	856	887	927	956
					Watts	651	639	624	619	610	599	586	569	544	527
5.0 [17.6]	Low	1750/2250	11x9 3/4 HP [559] 2 Speed Motor	Low	CFM	1771 [836]	1747 [824]	1716 [810]	1676 [791]	1628 [768]	1572 [742]	1507 [711]	1435 [677]	1355 [639]	1267 [598]
					RPM	628	657	697	738	775	816	865	899	937	968
					Watts	716	712	704	692	685	669	651	632	604	586
	High	1750/2250	11x9 3/4 HP [559] 2 Speed Motor	High	CFM	2429 [1146]	2413 [1139]	2386 [1126]	2346 [1107]	2295 [1083]	2232 [1053]	2158 [1018]	2071 [977]	1973 [931]	1863 [879]
					RPM	827	834	843	873	896	922	940	961	990	1018
					Watts	1219	1214	1206	1193	1171	1148	1126	1096	1053	998

[] Designates Metric Conversions



ELECTRICAL DATA—RSNJ- SERIES

Model No. RSNJ-	Unit Information				Evaporator Fan					
	Unit Operating Voltage Range	Minimum Circuit Ampacity	Minimum Overcurrent Protection Device Size	Maximum Overcurrent Protection Device Size	No.	Volts	Phase	HP	Amps (FLA)	Amps (LRA)
A024JK	187-253	17/17	20/20	25/25	1	208/230	1	1/4	1.5	2.6
A030JK	187-253	21/21	25/25	35/35	1	208/230	1	1/3	1.8	2.6
A036CK	187-253	16/16	20/20	25/25	1	208/230	1	1/2	2.5	5
A036JK	187-253	21/21	25/25	30/30	1	208/230	1	1/2	2.5	5
A042CK	187-253	18/18	20/20	25/25	1	208/230	1	1/2	2.8	4.6
A042JK	187-253	25/25	30/30	40/40	1	208/230	1	1/2	2.8	4.6
A048CK	187-253	21/21	25/25	30/30	1	208/230	1	3/4	3.2	4.4
A048JK	187-253	28/28	35/35	45/45	1	208/230	1	3/4	3.2	4.4
A060CK	187-253	30/30	35/35	45/45	1	208/230	1	3/4	5.8	9.6
A060JK	187-253	40/40	50/50	60/60	1	208/230	1	3/4	5.8	9.6

Model No. RSNJ-	Compressor Motor							Condenser Motor					
	No.	Volts	Phase	HP ²	RPM	Amps ¹ (RLA)	Amps ¹ (LRA)	No.	Volts	Phase	HP ²	Amps ¹ (FLA)	Amps ¹ (LRA)
A024JK	1	208/230	1	2	3450	10.9/10.9	54/54	1	208/230	1	1/3	1.5	3
A030JK	1	208/230	1	2.5	3450	14.1/14.1	68/68	1	208/230	1	1/3	1.5	3
A036CK	1	208/230	3	3	3450	9.6/9.6	63/63	1	208/230	1	1/3	1.5	3
A036JK	1	208/230	1	3	3450	13.5/13.5	73/73	1	208/230	1	1/3	1.5	3
A042CK	1	208/230	3	3.5	3450	10.3/10.3	77/77	1	208/230	1	1/3	1.5	3
A042JK	1	208/230	1	3.5	3450	16.5/16.5	95/95	1	208/230	1	1/3	1.5	3
A048CK	1	208/230	3	4	3450	12.4/12.4	88/88	1	208/230	1	1/3	1.8	4
A048JK	1	208/230	1	4	3450	17.9/17.9	104/104	1	208/230	1	1/3	1.8	4
A060CK	1	208/230	3	4.5	3450	17.3/17.3	123/123	1	208/230	1	1/3	1.8	4
A060JK	1	208/230	1	4.5	3450	25.3/25.3	141/141	1	208/230	1	1/3	1.8	4

1. Amp Draw Per Motor. Multiply Value By Number of Motors to Determine Total Amps.
2. Horsepower Per Compressor.



208-240 VOLT, SINGLE POWER SUPPLY FOR UNIT AND HEATER KIT

Model No. RSNJ-	RXQJ-C Heater Kit Nominal kW	No. of Elements	No. of Sequence Steps	Rated Heater kW @ 208-240 V	Heater KBTU/Hr @ 208-240 V	Heater Amps. @ 208-240 V	Unit Min. Ckt. Ampacity @ 208-240 V	Overcurrent Protective Device Size	
								Min./Max. @ 208 V	Min./Max. @ 240 V
A024J	No Heat	—	—	—	—	—	17/17	20/25	20/25
	05J	1	1	3.6/4.8	12.28/16.38	17.33/20.00	24/27	25/25	30/30
	07J	1	1	5.4/7.2	18.42/24.56	26.00/30.00	34/39	35/35	40/40
	10J	2	1	7.2/9.6	24.57/32.76	34.67/40.00	45/52	50/50	60/60
A030J	No Heat	—	—	—	—	—	21/21	25/35	25/35
	05J	1	1	3.6/4.8	12.28/16.38	17.33/20.00	24/27	25/35	30/35
	07J	1	1	5.4/7.2	18.42/24.56	26.00/30.00	35/40	35/35	40/40
	10J	2	1	7.2/9.6	24.57/32.76	34.67/40.00	46/52	50/50	60/60
A036J	No Heat	—	—	—	—	—	21/21	25/30	25/30
	05J	1	1	3.6/4.8	12.28/16.38	17.33/20.00	25/28	25/30	30/30
	07J	1	1	5.4/7.2	18.42/24.56	26.00/30.00	36/41	40/40	45/45
	10J	2	1	7.2/9.6	24.57/32.76	34.67/40.00	47/53	50/50	60/60
A042J	No Heat	—	—	—	—	—	25/25	30/40	30/40
	05J	1	1	3.6/4.8	12.28/16.38	17.33/20.00	25/29	30/40	30/40
	07J	1	1	5.4/7.2	18.42/24.56	26.00/30.00	36/41	40/40	45/45
	10J	2	1	7.2/9.6	24.57/32.76	34.67/40.00	47/54	50/50	60/60
A048J	No Heat	—	—	—	—	—	28/28	35/45	35/45
	05J	1	1	3.6/4.8	12.28/16.38	17.33/20.00	28/29	35/45	35/45
	07J	1	1	5.4/7.2	18.42/24.56	26.00/30.00	37/42	40/40	45/45
	10J	2	1	7.2/9.6	24.57/32.76	34.67/40.00	47/54	50/50	60/60
A060J	No Heat	—	—	—	—	—	40/40	50/60	50/60
	05J	1	1	3.6/4.8	12.28/16.38	17.33/20.00	40/40	50/60	50/60
	07J	1	1	5.4/7.2	18.42/24.56	26.00/30.00	40/45	50/60	50/60
	10J	2	1	7.2/9.6	24.57/32.76	34.67/40.00	51/57	60/60	60/60

WARNING

ONLY ELECTRIC HEATER KITS SUPPLIED BY THIS MANUFACTURER AS DESCRIBED IN THIS PUBLICATION HAVE BEEN DESIGNED, TESTED, AND EVALUATED BY A NATIONALLY RECOGNIZED SAFETY TESTING AGENCY FOR USE WITH THIS UNIT. USE OF ANY OTHER MANUFACTURED ELECTRIC HEATERS INSTALLED WITHIN THIS UNIT MAY CAUSE HAZARDOUS CONDITIONS RESULTING IN PROPERTY DAMAGE, FIRE, BODILY INJURY OR DEATH.



ELECTRIC HEATER KITS—RSNJ- SERIES

208-240 VOLT, SEPARATE POWER SUPPLY FOR UNIT AND HEATER KIT

Model No. RSNJ-	RXQJ-C Heater Kit Nominal kW	Heater Kit Min. Ckt. Ampacity	Heater Kit Max. Fuse Size	Heated Pump Min. Ckt. Ampacity @ 208-240 V	Overcurrent Protective Device Size	
					Min./Max. @ 208 V	Min./Max. @ 240 V
A024J	No Heat	—	—	17/17	20/25	20/25
	05J	22/25	25/25	—	—	—
	07J	33/38	35/40	—	—	—
	10J	44/50	45/50	—	—	—
A030J	No Heat	—	—	21/21	25/35	25/35
	05J	22/25	25/25	—	—	—
	07J	33/38	35/40	—	—	—
	10J	44/50	45/50	—	—	—
	15J	65/75	70/80	—	—	—
A036J	No Heat	—	—	21/21	25/30	25/30
	05J	22/25	25/25	—	—	—
	07J	33/38	35/40	—	—	—
	10J	44/50	45/50	—	—	—
	15J	65/75	70/80	—	—	—
A042J	No Heat	—	—	25/25	30/40	30/40
	05J	22/25	25/25	—	—	—
	07J	33/38	35/40	—	—	—
	10J	44/50	45/50	—	—	—
	15J	65/75	70/80	—	—	—
	20J	87/100	90/100	—	—	—
A048J	No Heat	—	—	28/28	35/45	35/45
	05J	22/25	25/25	—	—	—
	07J	33/38	35/40	—	—	—
	10J	44/50	45/50	—	—	—
	15J	65/75	70/80	—	—	—
	20J	87/100	90/100	—	—	—
A060J	No Heat	—	—	40/40	50/60	50/60
	05J	22/25	25/25	—	—	—
	07J	33/38	35/40	—	—	—
	10J	44/50	45/50	—	—	—
	15J	65/75	70/80	—	—	—
	20J	87/100	90/100	—	—	—

WARNING

ONLY ELECTRIC HEATER KITS SUPPLIED BY THIS MANUFACTURER AS DESCRIBED IN THIS PUBLICATION HAVE BEEN DESIGNED, TESTED, AND EVALUATED BY A NATIONALLY RECOGNIZED SAFETY TESTING AGENCY FOR USE WITH THIS UNIT. USE OF ANY OTHER MANUFACTURED ELECTRIC HEATERS INSTALLED WITHIN THIS UNIT MAY CAUSE HAZARDOUS CONDITIONS RESULTING IN PROPERTY DAMAGE, FIRE, BODILY INJURY OR DEATH.



208-240 VOLT, SINGLE POWER SUPPLY FOR UNIT AND HEATER KIT THREE PHASE

Model No. RSNJ-	RXQJ-C Heater Kit Nominal kW	No. of Elements	No. of Sequence Steps	Rated Heater kW @ 208-240 V	Heater KBTU/Hr @ 208-240 V	Heater Amps. @ 208-240 V	Unit Min. Ckt. Ampacity @ 208-240 V	Overcurrent Protective Device Size	
								Min./Max. @ 208 V	Min./Max. @ 240 V
A036C	No Heat	—	—	—	—	—	16/16	20/25	20/25
	10C	2	1	7.2/9.6	24.57/32.76	20/23.1	29/32	30/30	35/35
	15C	3	2	10.8/14.4	36.85/49.13	30/34.6	41/47	45/45	50/50
A042C	No Heat	—	—	—	—	—	18/18	20/25	20/25
	10C	2	1	7.2/9.6	24.57/32.76	20/23.1	29/33	30/30	35/35
	15C	3	2	10.8/14.4	36.85/49.13	30/34.6	41/47	45/45	50/50
	20C	4	2	14.4/19.2	49.12/65.52	40/46.2	54/62	60/60	70/70
A048C	No Heat	—	—	—	—	—	21/21	25/30	25/30
	10C	2	1	7.2/9.6	24.57/32.76	20/23.1	29/33	30/30	35/35
	15C	3	2	10.8/14.4	36.85/49.13	30/34.6	42/48	45/45	50/50
	20C	4	2	14.4/19.2	49.12/65.52	40/46.2	54/62	60/60	70/70
A060C	No Heat	—	—	—	—	—	30/30	35/45	35/45
	10C	2	1	7.2/9.6	24.57/32.76	20/23.1	40/40	40/40	40/40
	15C	3	2	10.8/14.4	36.85/49.13	30/34.6	45/51	45/45	60/60
	20C	4	2	14.4/19.2	49.12/65.52	40/46.2	58/65	60/60	70/70

WARNING

ONLY ELECTRIC HEATER KITS SUPPLIED BY THIS MANUFACTURER AS DESCRIBED IN THIS PUBLICATION HAVE BEEN DESIGNED, TESTED, AND EVALUATED BY A NATIONALLY RECOGNIZED SAFETY TESTING AGENCY FOR USE WITH THIS UNIT. USE OF ANY OTHER MANUFACTURED ELECTRIC HEATERS INSTALLED WITHIN THIS UNIT MAY CAUSE HAZARDOUS CONDITIONS RESULTING IN PROPERTY DAMAGE, FIRE, BODILY INJURY OR DEATH.



**208-240 VOLT, SEPARATE POWER SUPPLY FOR UNIT AND HEATER KIT
THREE PHASE**

Model No. RSNJ-	RXQJ-C Heater Kit Nominal kW	Heater Kit Min. Ckt. Ampacity	Heater Kit Max. Fuse Size	Heated Pump Min. Ckt. Ampacity @ 208-240 V	Overcurrent Protective Device Size	
					Min./Max. @ 208 V	Min./Max. @ 240 V
A036C	No Heat	—	—	16/16	20/25	20/25
	10C	25/29	25/30	—	—	—
	15C	38/44	40/45	—	—	—
A042C	No Heat	—	—	18/18	20/25	20/25
	10C	25/29	25/30	—	—	—
	15C	38/44	40/45	—	—	—
	20C	50/58	50/60	—	—	—
A048C	No Heat	—	—	21/21	25/30	25/30
	10C	25/29	25/30	—	—	—
	15C	38/44	40/45	—	—	—
	20C	50/58	50/60	—	—	—
A060C	No Heat	—	—	30/30	35/45	35/45
	10C	25/29	25/30	—	—	—
	15C	38/44	40/45	—	—	—
	20C	50/58	50/60	—	—	—

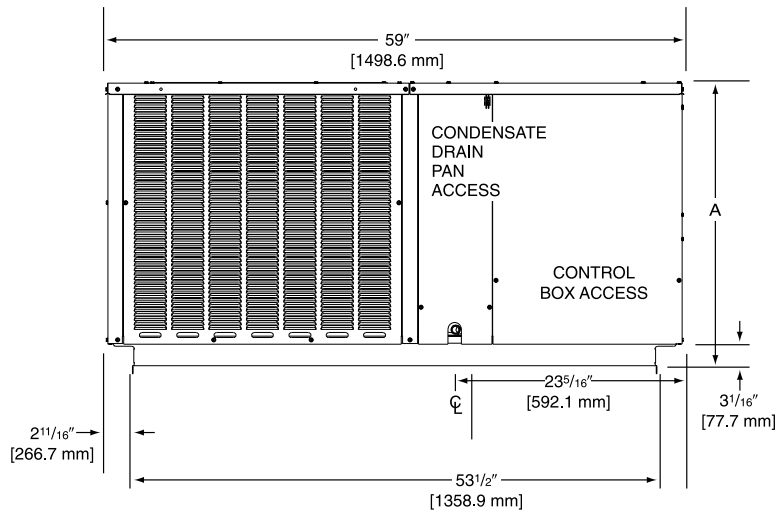
WARNING

ONLY ELECTRIC HEATER KITS SUPPLIED BY THIS MANUFACTURER AS DESCRIBED IN THIS PUBLICATION HAVE BEEN DESIGNED, TESTED, AND EVALUATED BY A NATIONALLY RECOGNIZED SAFETY TESTING AGENCY FOR USE WITH THIS UNIT. USE OF ANY OTHER MANUFACTURED ELECTRIC HEATERS INSTALLED WITHIN THIS UNIT MAY CAUSE HAZARDOUS CONDITIONS RESULTING IN PROPERTY DAMAGE, FIRE, BODILY INJURY OR DEATH.

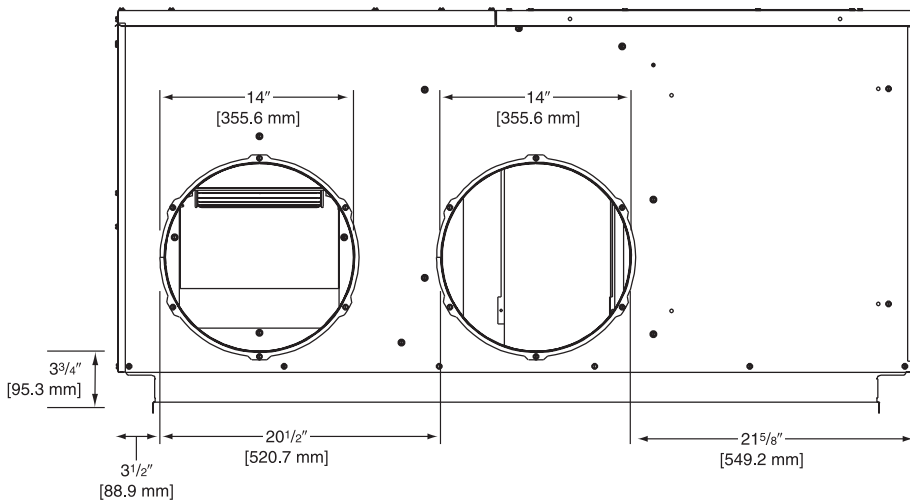
DIMENSIONS

Model	Height "A"
024, 030, 036, 042	29 1/8"
048, 060	37 1/8"

FRONT VIEW

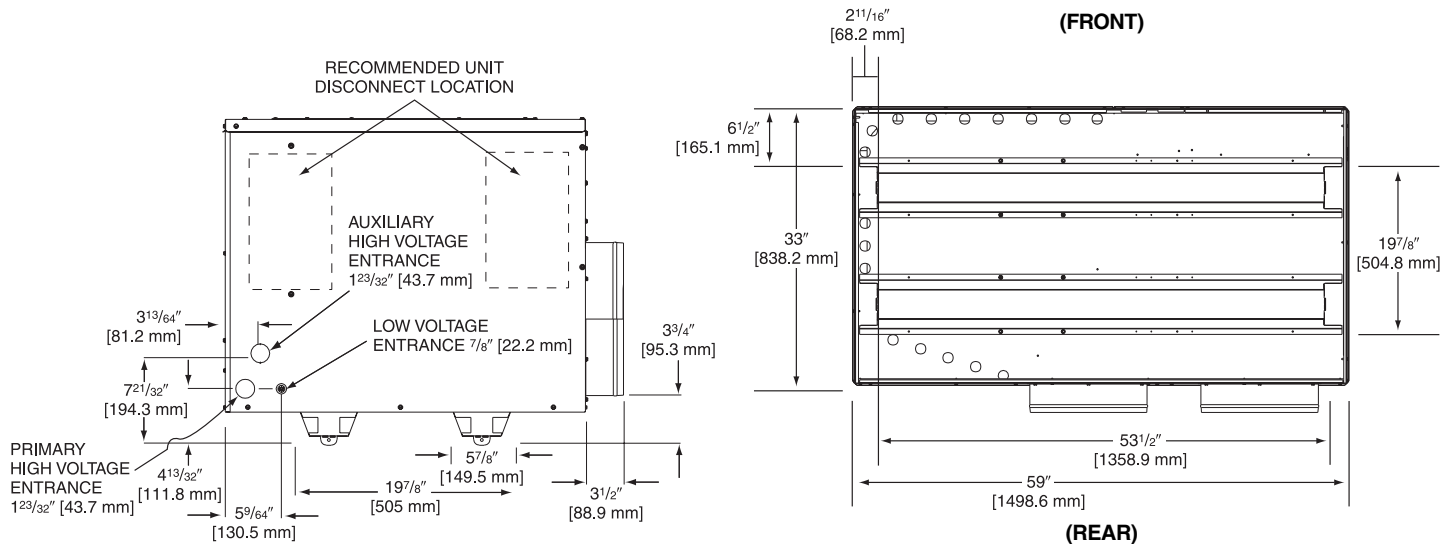


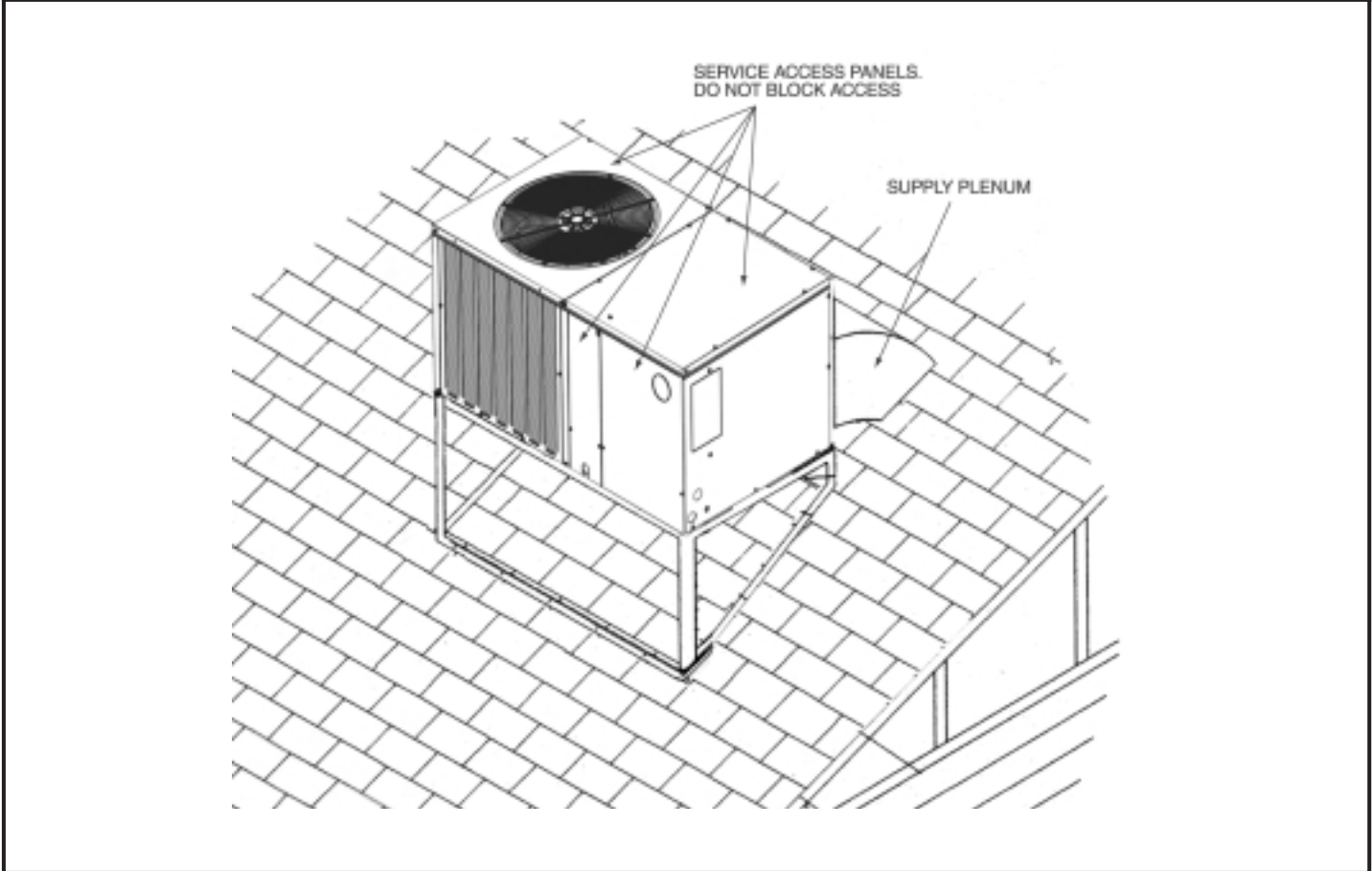
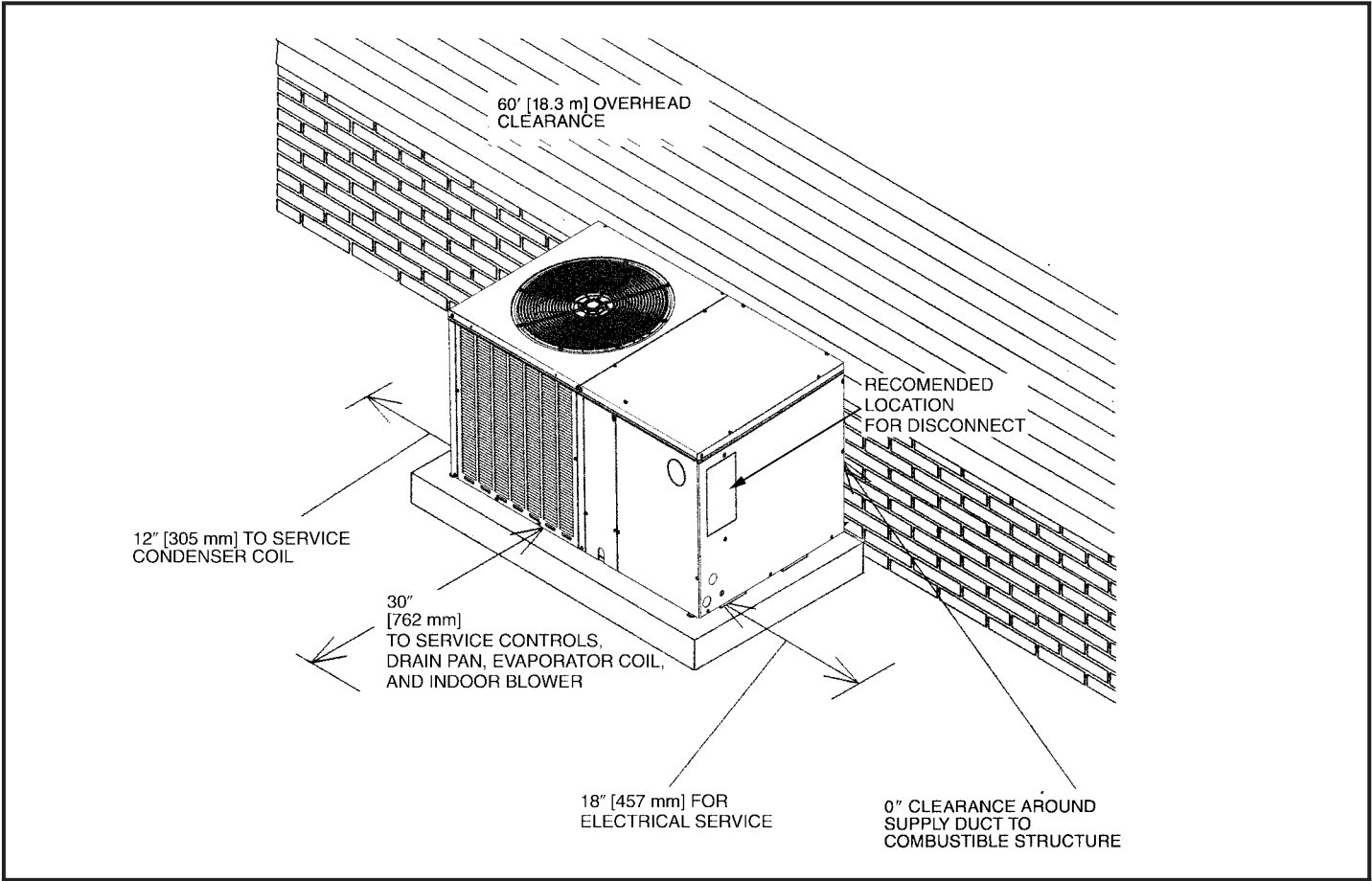
REAR VIEW



BOTTOM VIEW

ELECTRICAL CONNECTIONS





ACCESSORY EQUIPMENT

Accessory Description	Model Application	Accessory Model No.
Outdoor Thermostat	RSNJ	RXPT-A01

[] Designates Metric Conversions

THERMOSTATS



300-Series *
Deluxe Programmable



200-Series *
Programmable



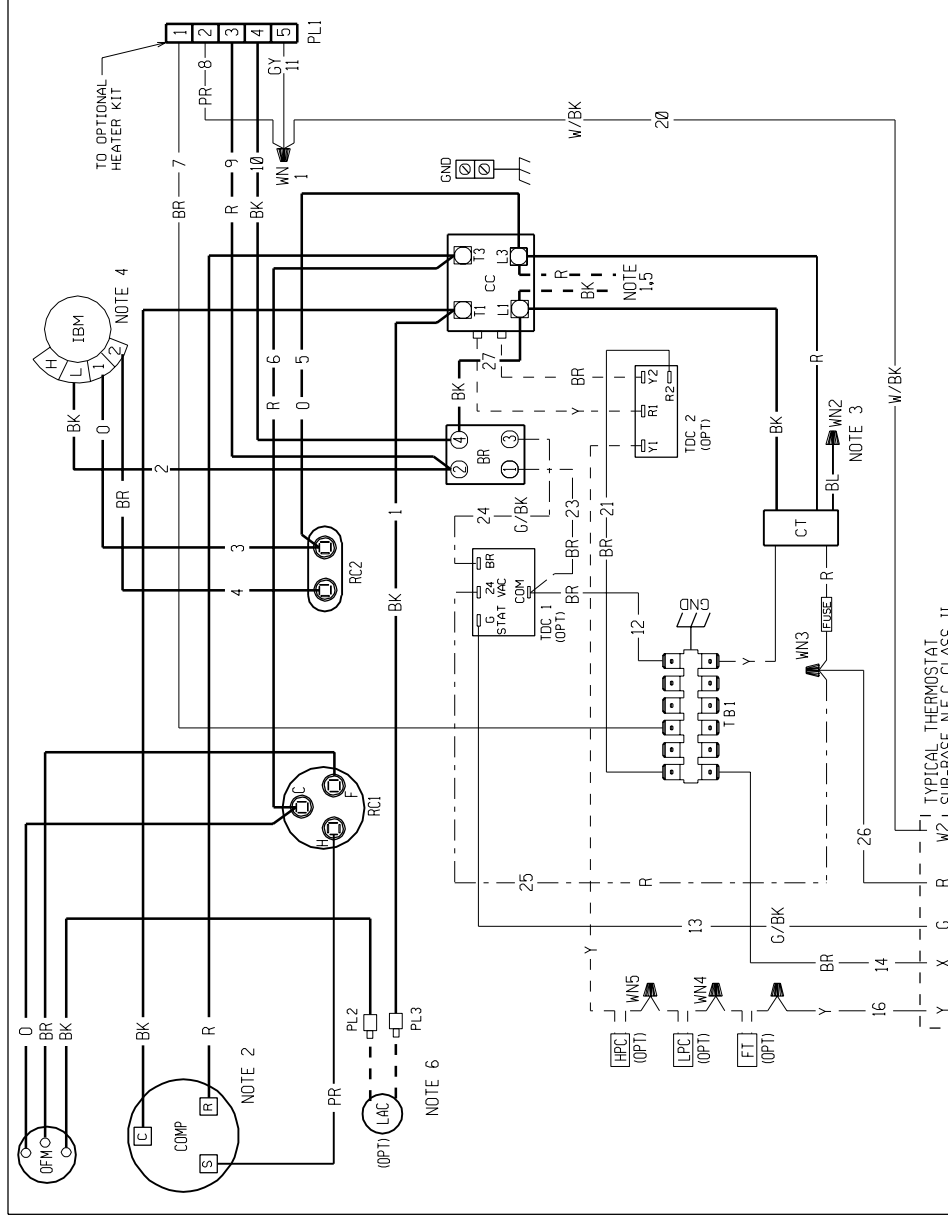
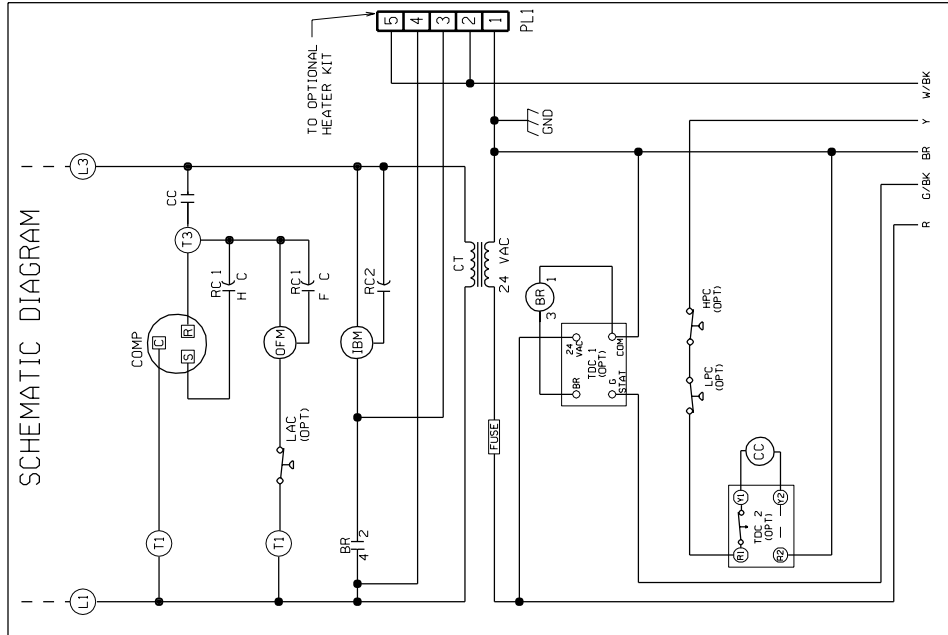
100-Series *
Non-Programmable

400-Series *
Special Applications/Programmable

Brand	Unique Model Number Prefix	Descriptor (3 Characters)	Series (3 Characters)	System (2 Characters)	Type (2 Characters)
RHC	-	TST	101	GE	MS
RHC=Rheem		TST=Thermostat	100=Non-Programmable 200=Programmable 300=Deluxe Programmable 400=Special Applications/ Programmable	GE=Gas/Oil/Electric HP=Heat Pump MD=Modulating Furnace DF=Dual Fuel UN=Universal AC/HP/GE	SS=Single-Stage MS=Multi-Stage

* Photos are representative. Actual models may vary.

For detailed thermostat match-up information, see specification sheet form number T11-001.



WIRE COLOR CODE

OR	ORANGE
BL	BLACK
BR	BROWN
BU	BLUE
RD	RED
GR	GREEN
WH	WHITE
YL	YELLOW

ELECTRICAL WIRING DIAGRAM

PACKAGE AIR CONDITIONER

1 PH, 208-230 VOLT - 60 HZ
1 PH, 220-240 VOLT - 50 HZ

WIRING INFORMATION

- LINE VOLTAGE
 - FACTORY STANDARD
 - FACTORY OPTION
 - FIELD INSTALLED
- LOW VOLTAGE
 - FACTORY STANDARD
 - FACTORY OPTION
 - FIELD INSTALLED
- INSULATION AS ORIGINAL (105 C. MIN.)
- MUST BE THE SAME SIZE AND TYPE OF REPLACEMENT WIRE
- CABINET MUST BE PERMANENTLY GROUNDED AND CONFORM TO I.E.C., N.E.C., C.E.C., NATIONAL WIRING REGULATIONS, AND LOCAL CODES AS APPLICABLE.

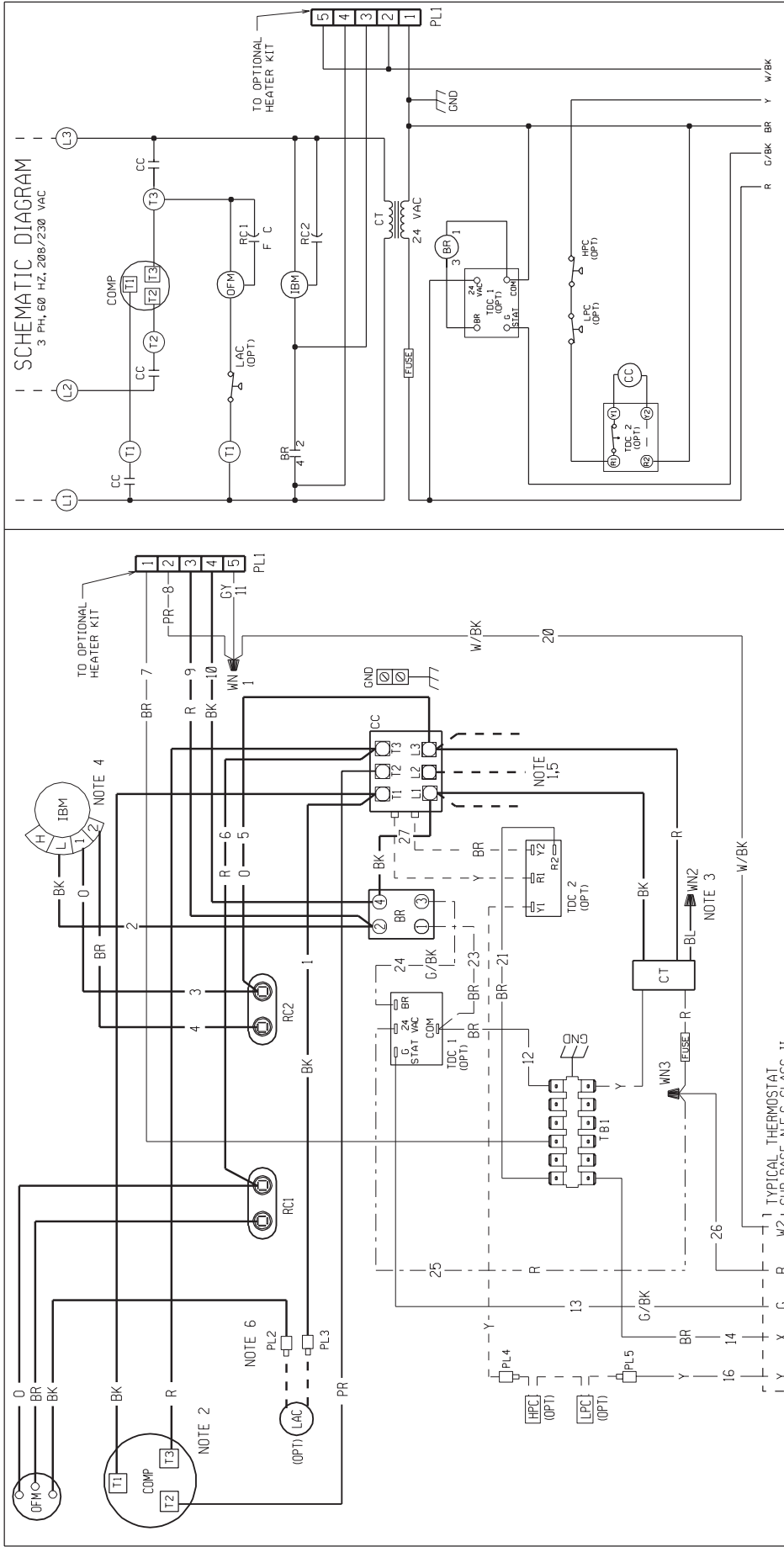
NOTES:

- CONNECTORS SUITABLE FOR USE WITH COPPER CONDUCTORS ONLY.
- COMPRESSOR MOTOR THERMALLY PROTECTED.
- TRANSFORMER FACTORY WIRED FOR 230 VOLTS. USE RED AND BLUE LEADS FOR 208 VOLTS.
- MOTOR FACTORY WIRED FOR LOW SPEED. SEE AIRFLOW TABLES IN INSTALLATION INSTRUCTIONS TO DETERMINE CORRECT SPEED FOR UNIT APPLICATION.
- FIELD WIRING OR CONNECTION FROM HEATER KIT FUSE BLOCK.
- PL2 & PL3 ARE CONNECTED WHEN LAC IS NOT PRESENT.

COMPONENT CODE

BR	BLOWER RELAY
CC	COMPRESSOR CONTACTOR
COMP	COMPRESSOR
CT	CONTROL TRANSFORMER
FP	FAN PLUG
FR	FAN RELAY
FC	FAN CAPACITOR
FT	FAN THERMOSTAT
TBC	TERMINAL BLOCK
TDC	TIME DELAY CONTROL
W	WIRE NUT
Y	INDOOR BLOWER MOTOR
Z	LOW AMBIENT COOLING CONTROL

DWG. NO. **90-23637-05** REV **03**



SCHEMATIC DIAGRAM
3 PH, 60 HZ, 208/230 VAC

<p>WIRE COLOR CODE</p> <p>BK__BLACK BR__BROWN BL__BLUE G__GREEN GY__GRAY O__ORANGE PR__PURPLE R__RED W__WHITE Y__YELLOW</p>	<p>WIRING INFORMATION</p> <p>LINE VOLTAGE -FACTORY STANDARD -FACTORY OPTION -FIELD INSTALLED</p> <p>LOW VOLTAGE -FACTORY STANDARD -FACTORY OPTION -FIELD INSTALLED</p> <p>REPLACEMENT WIRE -MUST BE THE SAME SIZE AND TYPE OF INSULATION AS ORIGINAL (105 C MIN.)</p> <p>WARNING -CABINET MUST BE PERMANENTLY GROUNDED AND CONFORM TO I.E.C., N.E.C., C.E.C. AND LOCAL CODES AS APPLICABLE.</p>	<p>NOTES:</p> <p>1. CONNECTORS SUITABLE FOR USE WITH COPPER CONDUCTORS ONLY. 2. COMPRESSOR MOTOR THERMALLY PROTECTED. 3. TRANSFORMER FACTORY WIRED FOR 230 VOLTS. USE RED AND BLUE LEADS FOR 208 VOLTS. 4. MOTOR FACTORY WIRED FOR LOW SPEED. SEE AIRFLOW TABLES IN INSTALLATION INSTRUCTIONS TO DETERMINE CORRECT SPEED FOR UNIT APPLICATION. 5. FIELD WIRING OR CONNECTION FROM HEATER KIT FUSE BLOCK. 6. PL2 & PL3 ARE CONNECTED WHEN LAC IS NOT PRESENT.</p>	<p>COMPONENT CODE</p> <p>AUX. LIMIT CONTROL BLOWER RELAY CONTACTOR CL4 CRANKER HEATER COMPRESSOR CONTROL TRANSFORMER GND HIGH PRESSURE CONTROL INDOOR BLOWER MOTOR</p> <p>LAC LPC (OPT) RC1 RC2 T1 T2 T3 TDC 1 (OPT) TDC 2 (OPT)</p> <p>LOW AMBIENT COOLING CONTROL INDOOR FAN MOTOR OPTIONAL PLUG RUN CAPACITOR TERMINAL BLOCK TIME DELAY CONTROL WIRE NUT</p>
<p>ELECTRICAL WIRING DIAGRAM</p>		<p>PACKAGE AIR CONDITIONER</p> <p>3 PH, 208-230 VOLTS - 60 HZ</p> <p>DR. BY DATE APP. BY DATE KDF 06-29-04</p> <p>DWG. NO. 90-23637-06</p> <p>REV 01</p>	

BEFORE PURCHASING THIS APPLIANCE, READ IMPORTANT ENERGY COST AND EFFICIENCY INFORMATION AVAILABLE FROM YOUR RETAILER.

GENERAL TERMS OF LIMITED WARRANTY

Rheem will furnish a replacement for any part of this product which fails in normal use and service within the applicable periods stated, in accordance with the terms of the limited warranty.

For Complete Details of the Limited Warranty, Including Applicable Terms and Conditions, See Your Local Installer or Contact the Manufacturer for a Copy.

Compressor
(Conditional, 1-Phase,
Residential Applications).....Ten (10) Years
*Any Other Part.....Five (5) Years

*All other parts and components carry a limited warranty of five years, provided they are single-phase products installed in a residential application. Products installed in commercial applications have a one (1) year limited parts warranty.

Before proceeding with installation, refer to installation instructions packaged with each model, as well as complying with all Federal, State, Provincial, and Local codes, regulations, and practices.

**Rheem Heating,
Cooling and
Water Heating**

P.O. Box 17010, Fort Smith, AR 72917



"In keeping with its policy of continuous progress and product improvement, Rheem reserves the right to make changes without notice."