

SECTION 1

RESIDENTIAL HEATERS

DIGITAL 206A-406A.....	3
DIGITAL CUPRO-NICKEL 206A-406A.....	4
DIGITAL LOW NO _x 207A-407A.....	5
MILLIVOLT 206A-406A.....	6
ANALOG 106A.....	7
DIGITAL156A.....	8
SPA PAK HEATER ELS 552/1102.....	9
HEAT PUMP-DIGITAL 2350ti, 3350ti, 4350ti.....	10
HEAT PUMP-DIGITAL 5450ti, 6450ti, 8450ti.....	11
HEAT PUMP-DIGITAL 6450ti-E-PD, 6450ti-E-HC, 8450ti-E-HC....	12
INDIRECT HEAT EXCHANGERS.....	13
RESIDENTIAL HEATER OPTIONS.....	14
RAYPAK TO RHEEM CROSS REFERENCE GUIDE.....	15
PRODUCT NAME VS. MODEL NUMBER.....	18
GAS LINE SIZING CHART.....	19

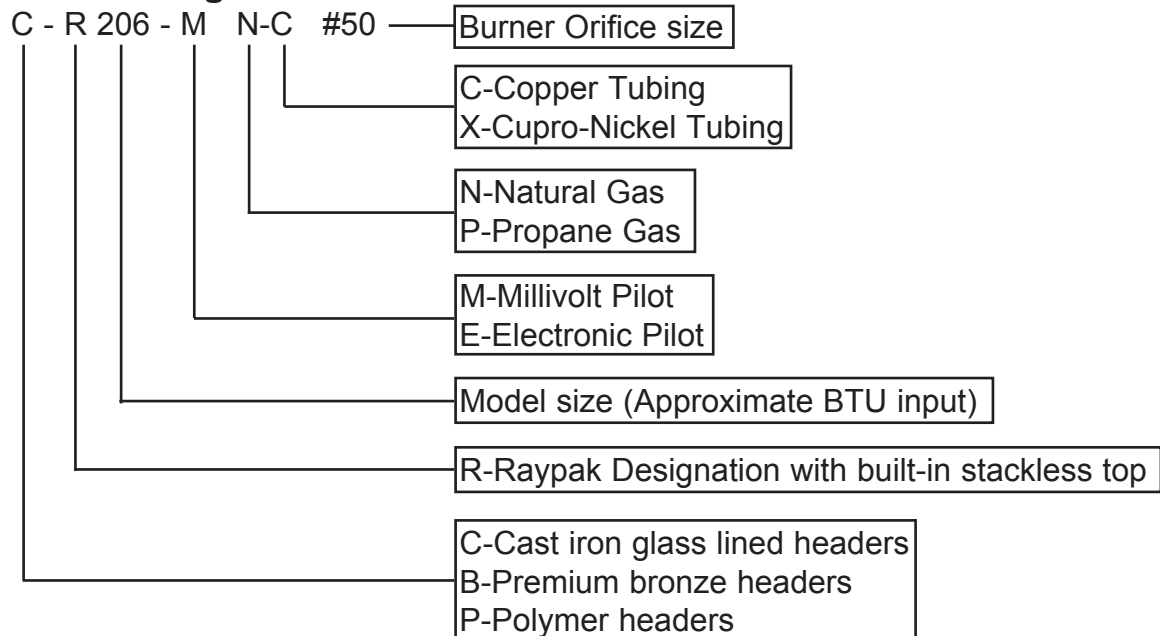
Tops

Heater prices do not include tops unless noted otherwise. For indoor installation, an indoor top must be ordered separately.

Ordering Information

When ordering, specify part number, model number, altitude, and options.

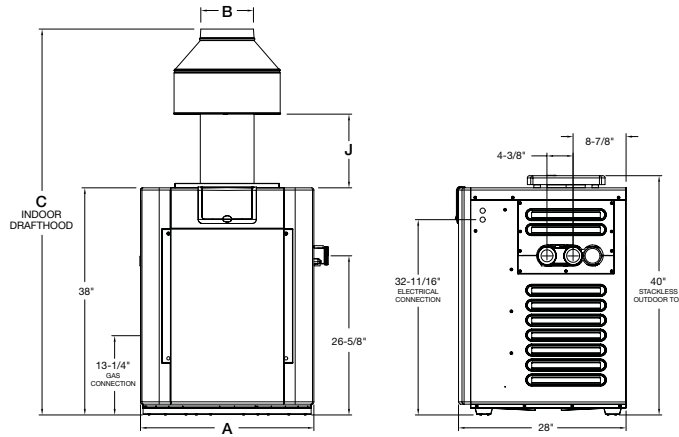
Example: 1 Each Part Number 009271 C-R406-EN 2000' Elevation
1 Each Part Number 009841 406 Drafthood

Model Designation

DIGITAL 206A-406A

RESIDENTIAL

- LCD digital display provides accurate temperature
- Monitors operational status as well as service diagnostics
- High-wind resistance
- Corrosion-resistant headers
- Unitherm governor prevents condensation
- PVC plumbing directly to the heater
- Small footprint
- Can be installed on combustible surface



Heater Model	BTUH Input (000)	(A) Cabinet Width	(B) Flue Diameter	(C) Indoor Draft Hood	(J) Minimum	Gas Conn.	Water Conn.	Shipping Weights (lbs)	
								w/ Polymer Headers and Stackless Top	Indoor Draft Hood
R206A	199.5	20"	6"	61-5/8"	11-7/8"	3/4"	2"	197	12
R266A	266.0	23"	7"	62"	11"	3/4"	2"	216	15
R336A	332.5	26"	8"	63"	10-5/8"	3/4"	2"	232	17
R406A	399.0	29"	9"	64-1/2"	12-5/16"	3/4"	2"	247	20

Dimensions are in inches.

MODEL	GAS	ELEVATION (feet)	PART NUMBER	SHIPPING WEIGHT (LBS)	LIST PRICE
P-R206A-EN-C #50	Natural	0-2000	009216	197	\$3,213
P-R206A-EN-C #51	Natural	2000-6000	009220	197	\$3,213
P-R206A-EN-C #52	Natural	6000-9000	009846	197	\$3,213
P-R266A-EN-C #50	Natural	0-2000	009217	216	\$3,531
P-R266A-EN-C #51	Natural	2000-6000	009221	216	\$3,531
P-R266A-EN-C #52	Natural	6000-9000	009847	216	\$3,531
P-R336A-EN-C #50	Natural	0-2000	009218	232	\$4,016
P-R336A-EN-C #51	Natural	2000-6000	009222	232	\$4,016
P-R336A-EN-C #52	Natural	6000-9000	009848	232	\$4,016
P-R406A-EN-C #50	Natural	0-2000	009219	247	\$4,561
P-R406A-EN-C #51	Natural	2000-6000	009223	247	\$4,561
P-R406A-EN-C #52	Natural	6000-9000	009849	247	\$4,561
P-R206A-EP-C #57	Propane	0-2000	009224	197	\$3,213
P-R206A-EP-C #58	Propane	2000-3000	009228	197	\$3,213
P-R206A-EP-C #59	Propane	3000-5000	009232	197	\$3,213
P-R206A-EP-C #60	Propane	5000-7000	009236	197	\$3,213
P-R266A-EP-C #57	Propane	0-2000	009225	216	\$3,531
P-R266A-EP-C #58	Propane	2000-3000	009229	216	\$3,531
P-R266A-EP-C #59	Propane	3000-5000	009233	216	\$3,531
P-R266A-EP-C #60	Propane	5000-7000	009237	216	\$3,531
P-R336A-EP-C #57	Propane	0-2000	009226	232	\$4,016
P-R336A-EP-C #58	Propane	2000-3000	009230	232	\$4,016
P-R336A-EP-C #59	Propane	3000-5000	009234	232	\$4,016
P-R336A-EP-C #60	Propane	5000-7000	009238	232	\$4,016
P-R406A-EP-C #57	Propane	0-2000	009227	247	\$4,561
P-R406A-EP-C #58	Propane	2000-3000	009231	247	\$4,561
P-R406A-EP-C #59	Propane	3000-5000	009235	247	\$4,561
P-R406A-EP-C #60	Propane	5000-7000	009239	247	\$4,561

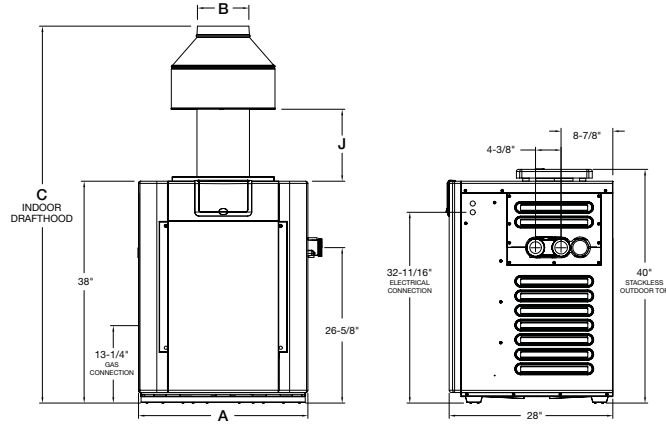
Outdoor top is standard; add for indoor top.

R206A	Indoor stack top	009838	12	\$173
R266A	Indoor stack top	009839	15	\$175
R336A	Indoor stack top	009840	17	\$181
R406A	Indoor stack top	009841	20	\$183
206A-406A	Hose adapter 2" MPT to 1 1/2" hose (set of 2)	006490		\$32

For Parts See page 147

DIGITAL CUPRO-NICKEL 206A-406A

- LCD digital display provides accurate temperature
- Monitors operational status as well as service diagnostics
- High-wind resistance
- Corrosion-resistant headers
- Unitherm governor prevents condensation
- PVC plumbing directly to the heater
- Small footprint
- Can be installed on combustible surface
- Cupro-nickel tubing



Heater Model	BTUH Input (000)	(A) Cabinet Width	(B) Flue Diameter	(C) Indoor Drafthood	(J) Minimum	Gas Conn.	Water Conn.	Shipping Weights (lbs)	
								w/ Polymer Headers and Stackless Top	Indoor Drafthood
R206A	180.0	20"	6"	61-5/8"	11-7/8"	3/4"	2"	201	12
R266A	240.0	23"	7"	62"	11"	3/4"	2"	217	15
R336A	300.0	26"	8"	63"	10-5/8"	3/4"	2"	235	17
R406A	360.0	29"	9"	64-1/2"	12-5/16"	3/4"	2"	251	20

Dimensions are in inches.

MODEL	GAS	ELEVATION (feet)	PART NUMBER	SHIPPING WEIGHT (LBS)	LIST PRICE
P-R206A-EN-X #51	Natural	0-2000	014938	201	\$3,429
P-R206A-EN-X #52	Natural	2000-6000	014942	201	\$3,429
P-R206A-EN-X #53	Natural	6000-9000	014946	201	\$3,429
P-R266A-EN-X #51	Natural	0-2000	014939	217	\$3,747
P-R266A-EN-X #52	Natural	2000-6000	014943	217	\$3,747
P-R266A-EN-X #53	Natural	6000-9000	014947	217	\$3,747
P-R336A-EN-X #51	Natural	0-2000	014940	235	\$4,232
P-R336A-EN-X #52	Natural	2000-6000	014944	235	\$4,232
P-R336A-EN-X #53	Natural	6000-9000	014948	235	\$4,232
P-R406A-EN-X #51	Natural	0-2000	014941	251	\$4,776
P-R406A-EN-X #52	Natural	2000-6000	014945	251	\$4,776
P-R406A-EN-X #53	Natural	6000-9000	014949	251	\$4,776
P-R206A-EP-X #58	Propane	0-2000	014950	201	\$3,429
P-R206A-EP-X #59	Propane	2000-3000	014954	201	\$3,429
P-R206A-EP-X #60	Propane	3000-5000	014958	201	\$3,429
P-R206A-EP-X #61	Propane	5000-7000	014962	201	\$3,429
P-R266A-EP-X #58	Propane	0-2000	014951	217	\$3,747
P-R266A-EP-X #59	Propane	2000-3000	014955	217	\$3,747
P-R266A-EP-X #60	Propane	3000-5000	014959	217	\$3,747
P-R266A-EP-X #61	Propane	5000-7000	014963	217	\$3,747
P-R336A-EP-X #58	Propane	0-2000	014952	235	\$4,232
P-R336A-EP-X #59	Propane	2000-3000	014956	235	\$4,232
P-R336A-EP-X #60	Propane	3000-5000	014960	235	\$4,232
P-R336A-EP-X #61	Propane	5000-7000	014964	235	\$4,232
P-R406A-EP-X #58	Propane	0-2000	014953	251	\$4,776
P-R406A-EP-X #59	Propane	2000-3000	014957	251	\$4,776
P-R406A-EP-X #60	Propane	3000-5000	014961	251	\$4,776
P-R406A-EP-X #61	Propane	5000-7000	014965	251	\$4,776

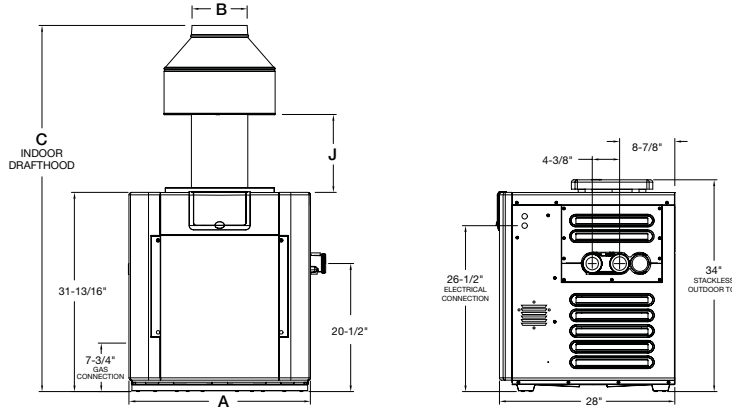
Outdoor top is standard; add for indoor top.

R206A	Indoor stack top	009838	12	\$173
R266A	Indoor stack top	009839	15	\$175
R336A	Indoor stack top	009840	17	\$181
R406A	Indoor stack top	009841	20	\$183
206A-406A	Hose adapter 2" MPT to 1 1/2" hose (set of 2)	006490		\$32

DIGITAL LOW NOx 207A-407A

RESIDENTIAL

- LCD digital display provides accurate temperature
- Monitors operational status as well as service diagnostics
- High-wind resistance
- Corrosion-resistant headers
- Unitherm governor prevents condensation
- PVC plumbing directly to the heater
- Small footprint
- Can be installed on combustible surface
- Complies with most NOx requirements



Heater Model	BTUH Input (000)	(A) Cabinet Width	(B) Flue Diameter	(C) Indoor Draft hood	(J) Minimum	Gas Conn.	Water Conn.	Shipping Weights (lbs)	
								w/ Polymer Headers and Stackless Top	Indoor Draft hood
R207A	199.5	20"	6"	55-5/8"	12"	3/4"	2"	191	12
R267A	266.0	23"	7"	56"	11-1/8"	3/4"	2"	210	15
R337A	332.5	26"	8"	57"	10-3/4"	3/4"	2"	228	17
R407A	399.0	29"	9"	58-1/2"	12-1/2"	3/4"	2"	243	20

Dimensions are in inches.

MODEL	GAS	ELEVATION (feet)	PART NUMBER	SHIPPING WEIGHT (LBS)	LIST PRICE
P-R207AL-EN-C #26	Natural	0-5000	009240	191	\$3,450
P-R267AL-EN-C #26	Natural	0-5000	009241	210	\$3,841
P-R337AL-EN-C #26	Natural	0-5000	009242	228	\$4,307
P-R407AL-EN-C #26	Natural	0-5000	009243	243	\$4,811

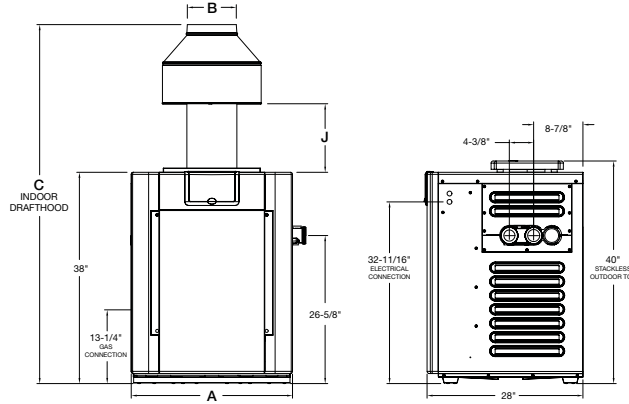
Not available for Propane gas.

Outdoor top is standard; add for indoor top.

MODEL	GAS	PART NUMBER	SHIPPING WEIGHT (LBS)	LIST PRICE
R207A	Indoor stack top	009838	12	\$173
R267A	Indoor stack top	009839	15	\$175
R337A	Indoor stack top	009840	17	\$181
R407A	Indoor stack top	009841	20	\$183
207A-407A	Hose adapter 2" MPT to 1 1/2" hose (set of 2)	006490		\$32

MILLIVOLT 206A-406A

- High-wind resistance
- Corrosion-resistant headers
- PVC plumbing directly to the heater
- Small footprint
- Unitherm governor prevents condensation
- Completely field serviceable
- Non-stop performance



Heater Model	BTUH Input (000)	(A) Cabinet Width	(B) Flue Diameter	(C) Indoor Drafthood	(J) Minimum	Gas Conn.	Water Conn.	Shipping Weights (lbs)	
								w/ Polymer Headers and Stackless Top	Indoor Drafthood
R206A	199.5	20"	6"	61-5/8"	11-7/8"	3/4"	2"	197	12
R266A	266.0	23"	7"	62"	11"	3/4"	2"	216	15
R336A	332.5	26"	8"	63"	10-5/8"	3/4"	2"	232	17
R406A	399.0	29"	9"	64-1/2"	12-5/16"	3/4"	2"	247	20

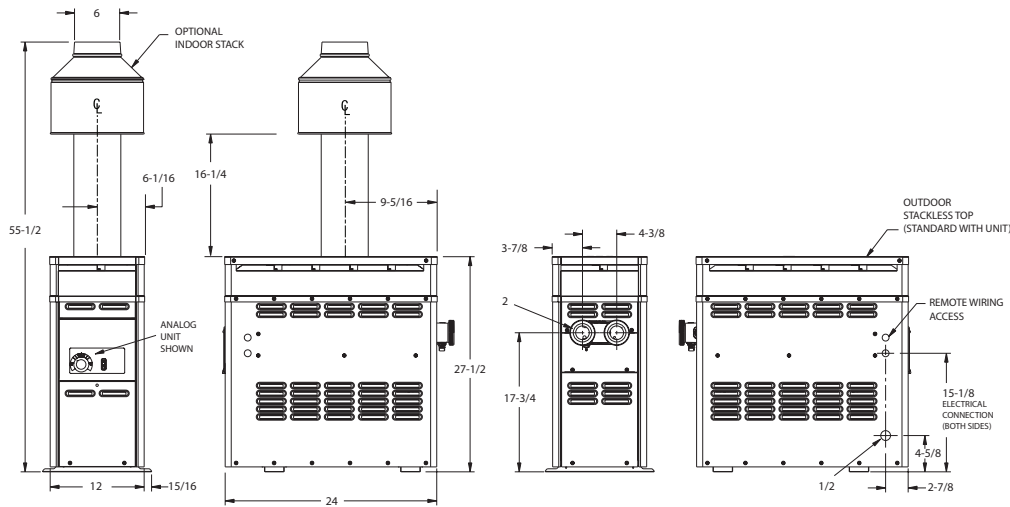
Dimensions are in inches.

MODEL	GAS	ELEVATION (feet)	PART NUMBER	SHIPPING WEIGHT (LBS)	LIST PRICE
P-R206A-MN-C #50	Natural	0-2000	009192	197	\$3,213
P-R206A-MN-C #51	Natural	2000-6000	009196	197	\$3,213
P-R206A-MN-C #52	Natural	6000-9000	009842	197	\$3,213
P-R266A-MN-C #50	Natural	0-2000	009193	216	\$3,531
P-R266A-MN-C #51	Natural	2000-6000	009197	216	\$3,531
P-R266A-MN-C #52	Natural	6000-9000	009843	216	\$3,531
P-R336A-MN-C #50	Natural	0-2000	009194	232	\$4,016
P-R336A-MN-C #51	Natural	2000-6000	009198	232	\$4,016
P-R336A-MN-C #52	Natural	6000-9000	009844	232	\$4,016
P-R406A-MN-C #50	Natural	0-2000	009195	247	\$4,561
P-R406A-MN-C #51	Natural	2000-6000	009199	247	\$4,561
P-R406A-MN-C #52	Natural	6000-9000	009845	247	\$4,561
P-R206A-MP-C #57	Propane	0-2000	009200	197	\$3,213
P-R206A-MP-C #58	Propane	2000-3000	009204	197	\$3,213
P-R206A-MP-C #59	Propane	3000-5000	009208	197	\$3,213
P-R206A-MP-C #60	Propane	5000-7000	009212	197	\$3,213
P-R266A-MP-C #57	Propane	0-2000	009201	216	\$3,531
P-R266A-MP-C #58	Propane	2000-3000	009205	216	\$3,531
P-R266A-MP-C #59	Propane	3000-5000	009209	216	\$3,531
P-R266A-MP-C #60	Propane	5000-7000	009213	216	\$3,531
P-R336A-MP-C #57	Propane	0-2000	009202	232	\$4,016
P-R336A-MP-C #58	Propane	2000-3000	009206	232	\$4,016
P-R336A-MP-C #59	Propane	3000-5000	009210	232	\$4,016
P-R336A-MP-C #60	Propane	5000-7000	009214	232	\$4,016
P-R406A-MP-C #57	Propane	0-2000	009203	247	\$4,561
P-R406A-MP-C #58	Propane	2000-3000	009207	247	\$4,561
P-R406A-MP-C #59	Propane	3000-5000	009211	247	\$4,561
P-R406A-MP-C #60	Propane	5000-7000	009215	247	\$4,561
Outdoor top is standard; add for indoor top.					
R206A	Indoor stack top		009838	12	\$173
R266A	Indoor stack top		009839	15	\$175
R336A	Indoor stack top		009840	17	\$181
R406A	Indoor stack top		009841	20	\$183
206A-406A	Hose adapter 2" MPT to 1 1/2" hose (set of 2)		006490		\$32

ANALOG 106A

RESIDENTIAL

- Pool, Spa or above-ground pool heater
- 105,000btu Input
- Natural or propane gas
- Completely field serviceable
- Small footprint (2 square feet)
- 120V power cord, 3-prong connection
- Automatic water bypass
- Analog thermostat



Dimensions are in inches.



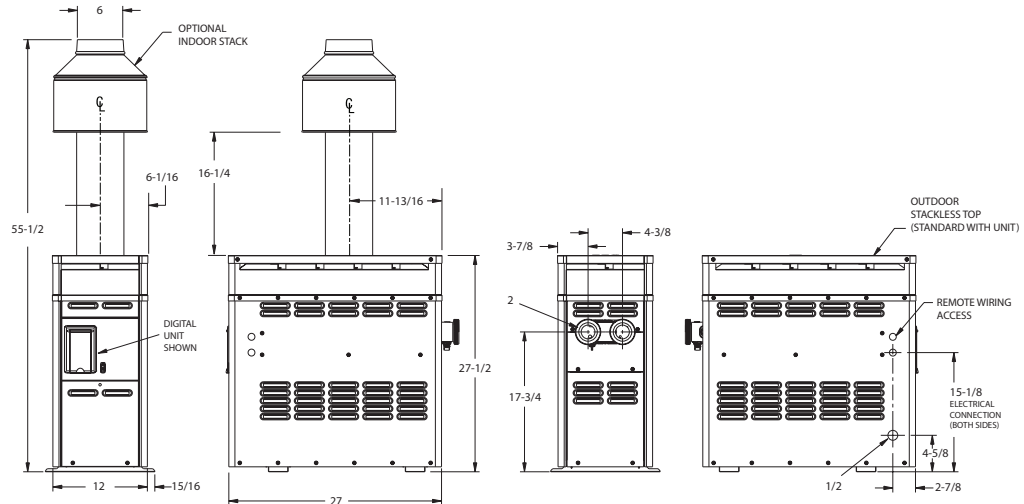
MODEL	GAS	ELEVATION (feet)	PART NUMBER	SHIPPING WEIGHT (LBS)	LIST PRICE
P-R106A-AN-C	Natural	0-4999	014779	85	\$1,814
P-R106A-AN-C	Natural	5000-9999	014780	85	\$1,814
P-R106A-AP-C	Propane	0-1999	014781	85	\$1,814
P-R106A-AP-C	Propane	2000-3999	014782	85	\$1,814
P-R106A-AP-C	Propane	4000-6999	014783	85	\$1,814
P-R106A-AP-C	Propane	7000-10000	015102	85	\$1,814

Heater requires indoor or outdoor top listed below

106A	Outdoor top	SHIPPED WITH HEATER	
106A	Indoor stack top	014357	12 \$124
106A	High wind top	014718	12 \$140
106A	Poolstat cover/Lock kit	014778	\$116

DIGITAL156A

- Pool or Spa heater
- 150,000btu Input
- Natural or propane gas
- Completely field serviceable
- Small footprint (2.25 square feet)
- 120V power cord, 3-prong connection
- Automatic water bypass
- Digital thermostat



Dimensions are in inches.

MODEL	GAS	ELEVATION (feet)	PART NUMBER	SHIPPING WEIGHT (LBS)	LIST PRICE
P-R156A-EN-C	Natural	0-4999	014784	100	\$2,270
P-R156A-EN-C	Natural	5000-9999	014785	100	\$2,270
P-R156A-EP-C	Propane	0-1999	014786	100	\$2,270
P-R156A-EP-C	Propane	2000-3999	014787	100	\$2,270
P-R156A-EP-C	Propane	4000-6999	014788	100	\$2,270
P-R156A-EP-C	Propane	7000-10000	015103	100	\$2,270

Heater requires indoor or outdoor top listed below

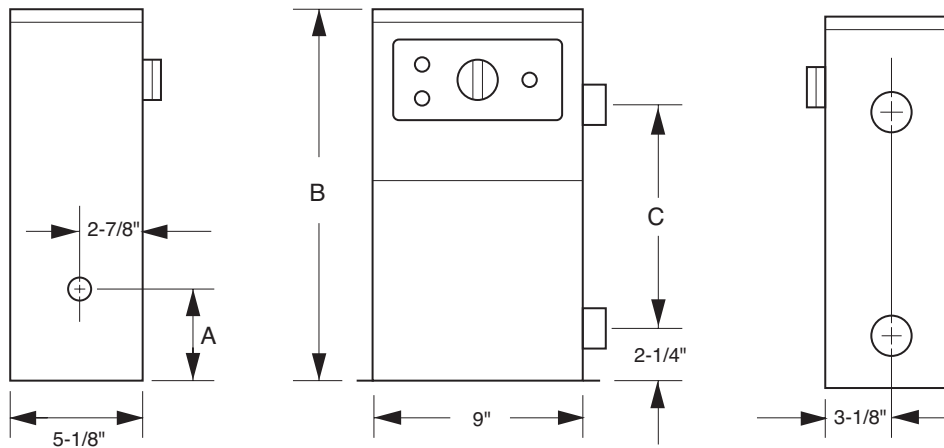
Model	Top Type	Part Number	Weight (LBS)	Price
156A	Outdoor top			
156A	Indoor stack top	014358	12	\$127
156A	High wind top	014719	12	\$143

SHIPPED WITH HEATER

SPA PAK HEATER ELS 552/1102

RESIDENTIAL

- 5.5 and 11 kilowatt models
- 240-volt single-phase electrical
- 100% copper and bronze waterways
- Compact design and small footprint
- Long lasting Incoloy heating element
- Full size - full flow 1-1/2" plumbing connections
- U.L. listed for indoor/outdoor installations



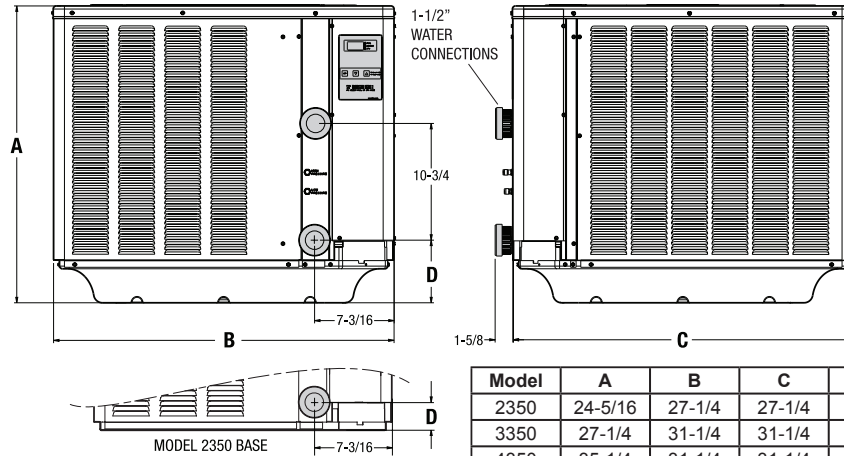
Model	BTUH (INPUT)	A	B	C	Water Conn.
552	18,767	3-7/8"	16	8	1-1/2"
1102	37,534	10-7/8"	23	15	1-1/2"

Dimensions are in inches.

MODEL	VOLTAGE	PART NUMBER	SHIPPING WEIGHT (LBS)	LIST PRICE
ELS R-552-2	240V/60Hz	001642	20	\$1,049
ELS R-1102-2	240V/60Hz	001640	25	\$1,162

HEAT PUMP-DIGITAL 2350ti, 3350ti, 4350ti

- Scroll compressor
- 208/230V single-phase electrical standard
- Digital thermostat
- 1-1/2" PVC connection unions supplied
- L.E.D. operational status lights



Dimensions are in inches.

Model	A	B	C	D
2350	24-5/16	27-1/4	27-1/4	2-9/16
3350	27-1/4	31-1/4	31-1/4	5-3/4
4350	35-1/4	31-1/4	31-1/4	5-3/4

MODEL	R2350ti	R3350ti	R4350ti
Heat BTUH Output	50,000/48,000	68,000/63,000	83,000/78,000
AHRI 1160* (80,80,80) / (80,63,80)			
C.O.P.	5.5/5.3	5.9/5.5	6.4/6.0
C.O.P. low ambient / (50,63,80)**	3.5†	4.0	4.0
Compressor	Scroll	Scroll	Scroll
Refrigerant	R-410A	R-410A	R-410A
Voltage	208/230V-1Ph-60Hz	208/230V-1Ph-60Hz	208/230V-1Ph-60Hz
Minimum Circuit Ampacity	20	30	34
Maximum Breaker Size (Amps)	30	50	50
Electrical Input (kw)	2.7	3.4	3.9
Heat Exchanger	Titanium	Titanium	Titanium
Water Flow (gpm)	20-40	20-40	20-40
Shipping Weight (lbs.)	167	255	237

*Tested to AHRI 1160

†Does not comply with Florida 4.0 minimum C.O.P. requirement. This product can not be installed in Florida.

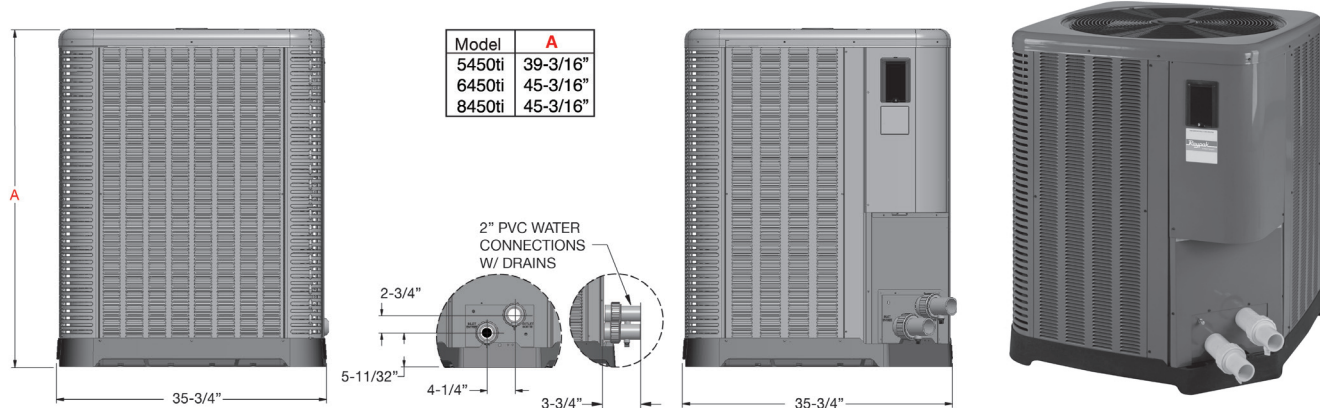


MODEL	BTU	PART NUMBER	SHIPPING WEIGHT (LBS)	LIST PRICE
R2350ti-E	50,000	013597	167	\$3,660
Scroll compressor, digital thermostat, Ti heat exchanger, small cabinet.				
R3350ti-E	68,000	013599	255	\$4,213
Scroll compressor, digital thermostat, Ti heat exchanger, small cabinet.				
R4350ti-E	83,000	013601	237	\$4,766
Scroll compressor, digital thermostat, Ti heat exchanger, small cabinet.				

HEAT PUMP-DIGITAL 5450ti, 6450ti, 8450ti

RESIDENTIAL

- Metal cabinet
- Low RPM fan motor for quiet operation
- ABS base - sound reduction
- New digital control – mini automation
- 2" PVC connection unions supplied
- 2 year labor/7 year parts



Dimensions are in inches.

MODEL	R5450ti-E	R6450ti-E	R8450ti-E
Heat BTUH Output	103,000/97,000	119,000/113,000	140,000/130,000
AHRI 1160* (80,80,80) / (80,63,80)			
C.O.P.	6.0/5.7	5.9/5.7	5.6/5.3
Compressor	Scroll	Scroll	Scroll
Refrigerant	R-410A	R-410A	R-410A
Voltage	208/230V-1Ph-60Hz	208/230V-1Ph-60Hz	208/230V-1Ph-60Hz
Minimum Circuit Ampacity	29.3	33.7	41.7
Maximum Breaker Size (Amps)	60	60	60
Electrical Input (kw)	5.0	5.9	7.3
Heat Exchanger	Titanium	Titanium	Titanium
Water Flow (gpm)	30-60	30-60	30-60
Shipping Weight (lbs.)	264	341	423

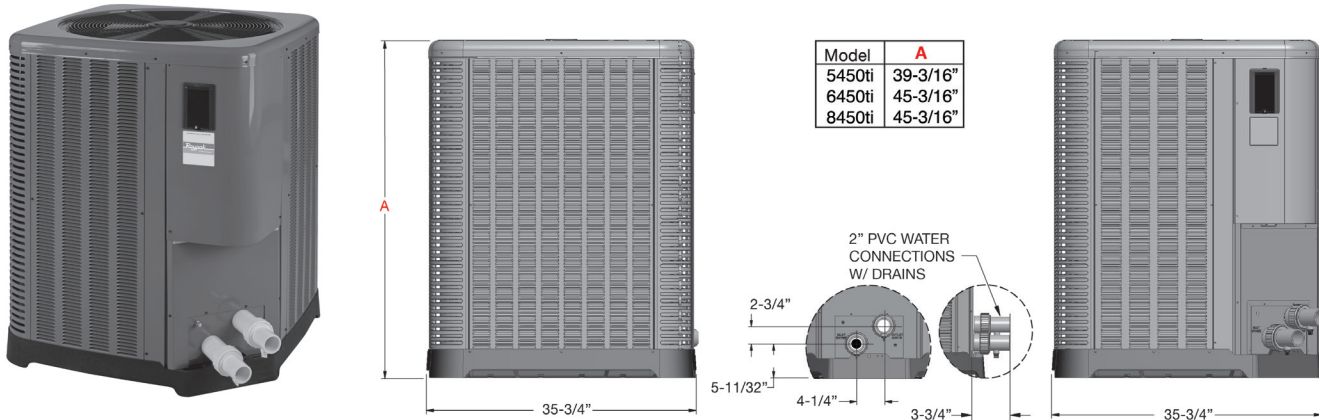
*Tested to AHRI 1160
All models comply with Florida 4.0 minimum C.O.P. requirement.



MODEL	BTU	PART NUMBER	SHIPPING WEIGHT (LBS)	LIST PRICE
R5450ti-E	103,000	016010	264	\$5,358
Scroll compressor, digital thermostat, Ti heat exchanger, painted classic cabinet.				
R6450ti-E	119,000	016015	341	\$6,121
Scroll compressor, digital thermostat, Ti heat exchanger, painted classic cabinet.				
R8450ti-E	140,000	016033	423	\$6,981
Scroll compressor, digital thermostat, Ti heat exchanger, painted classic cabinet.				

HEAT PUMP-DIGITAL 6450ti-E-PD, 6450ti-E-HC, 8450ti-E-HC

- Metal cabinet
- Low RPM fan motor for quiet operation
- ABS base - sound reduction
- New digital control – mini automation
- 2" PVC connection unions supplied
- Heat or cool or auto, power defrost cycle



Dimensions are in inches.

MODEL	R6450ti-E-PD	R6450ti-E-HC	R8450ti-E-HC
Heat BTUH Output	119,000/113,000	115,000/109,000	137,000/129,000
AHRI 1160* (80,80,80) / (80,63,80)			
C.O.P.	5.9/5.7	5.9/5.7	5.3/5.2
Compressor	Scroll	Scroll	Scroll
Refrigerant	R-410A	R-410A	R-410A
Voltage	208/230V-1Ph-60Hz	208/230V-1Ph-60Hz	208/230V-1Ph-60Hz
Minimum Circuit Ampacity	33.7	33.7	41.7
Maximum Breaker Size (Amps)	60	60	60
Electrical Input (kw)	5.9	5.7	7.6
Heat Exchanger	Titanium	Titanium	Titanium
Water Flow (gpm)	30-60	30-60	30-60
Shipping Weight (lbs.)	368	374	430

*Tested to AHRI 1160
All models comply with Florida 4.0 minimum C.O.P. requirement.



MODEL	BTU	PART NUMBER	SHIPPING WEIGHT (LBS)	LIST PRICE
R6450ti-E-PD	119,000	016019	368	Call Factory
Scroll compressor, digital thermostat, Ti heat exchanger, classic cabinet, power defrost.				
R6450ti-E-HC	115,000	016022	374	\$6,526
Scroll compressor, digital thermostat, Ti heat exchanger, classic cabinet, heat cool.				
R8450ti-E-HC	137,000	016037	430	\$7,385
Scroll compressor, digital thermostat, Ti heat exchanger, classic cabinet, heat cool.				

INDIRECT HEAT EXCHANGERS

- Choice of SS316L or CR24 Super Alloy
- SS316-Tube side 150psi-Shell side 150psi 406 °F
- CR24-Tube side 235psi-Shell side 190psi 406 °F
- ASME B31.3 Process Piping Code
- Compact Dimensions

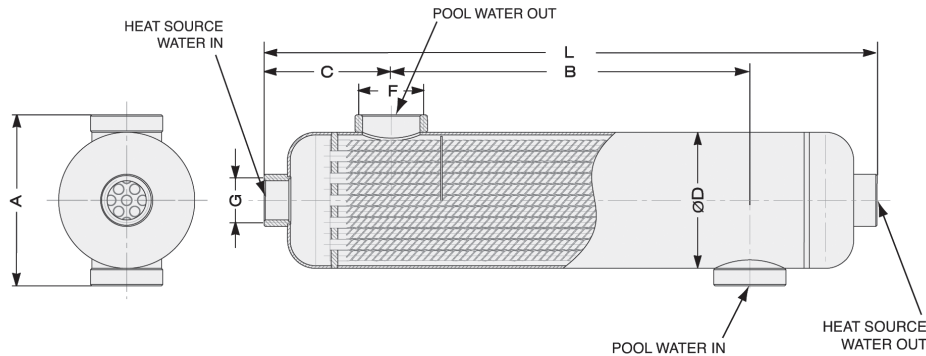


Figure 1: Dimensions

Dimensions are in inches.



Models	CR24** Super Alloy	Nominal capacity* BTU/hour	Dimensions (inches)							
			A	B	C	Pool Conn NPT F	Boiler Conn NPT G	Length L	Diameter Ø D	Heat Transfer Area (sq. ft.)
RP-045		45,000	4-3/16	4-3/8	3-1/16	1	3/4	10-7/16	3-1/8	1.62
RP-075		75,000	4-3/16	6-7/8	3-5/16	1-1/2	3/4	13-9/16	3-1/8	2.64
RP-125		125,000	4-3/16	8-7/8	3-5/16	1-1/2	3/4	15-1/2	3-1/8	3.64
RP-185		185,000	5	7-5/8	3-3/8	1-1/2	1	14-3/8	4	4.70
RP-245		245,000	5	12-11/16	3-3/8	1-1/2	1	19-1/2	4	6.80
RP-305		305,000	5	17-3/8	3-3/8	1-1/2	1	24-3/16	4	9.00
RP-495		495,000	5-1/16	34-13/16	3-5/8	2	1	42-1/16	4	16.80
RP-995		995,000	6-9/16	26-5/8	4-5/16	2	2	35-3/16	5-1/2	21.50
	CR24-185	185,000	6-5/16	7-9/16	3-13/16	1-1/2	1	15-5/16	4-1/16	4.70
	CR24-305	305,000	6-5/16	17-3/8	3-13/16	1-1/2	1	25-1/16	4-1/16	9.00
	CR24-495	495,000	6-5/16	35-1/4	3-13/16	1-1/2	1	42-15/16	4-1/16	16.80

*Nominal values are based on 140 °F temperature differential between incoming heating and heated water.

**CR24 Super Alloy - widely used in industrial salt water environments. Due to its unsurpassed corrosion resistance, this unique super alloy option is a 'true' salt water product, now available from Raypak for the most demanding of applications, from high chlorination to high salt content.

MODEL	BTU	PART NUMBER	LIST PRICE
RP-045	45,000	013476	\$853
RP-075	75,000	013477	\$958
RP-125	125,000	013478	\$1,021
RP-185	185,000	013479	\$1,380
RP-245	245,000	013480	\$1,652
RP-305	305,000	013481	\$2,041
RP-495	495,000	013482	\$2,969
RP-995	995,000	013483	\$4,226

Units with CR24 Super Alloy

CR24-185	185,000	013484	\$2,878
CR24-305	305,000	013485	\$3,810
CR24-495	495,000	013486	\$5,699

RESIDENTIAL HEATER OPTIONS

MODEL	DESCRIPTION	PART NUMBER	SHIPPING WEIGHT (lbs)	LIST PRICE
A-15: PRESSURE RELIEF VALVES				
206A/207A	125 lbs	012648	3	\$62
266A-407A	125 lbs	010231	5	\$97

D-2: POWER VENT - INDOOR

206A-267A	IID ONLY	009832	36	\$898
336A-407A	IID ONLY	009833	39	\$898

Note: Power vents are shipped loose for field installation and wiring. Factory wired for 240V operation.

D-10: RESIDENTIAL POOL HEATER INDOOR DRAFTHOODS

106A	INDOOR TOP	014357	12	\$124
156A	INDOOR TOP	014358	12	\$127
206A/207A	INDR STACK TOP 6"	009838	12	\$173
266A/267A	INDR STACK TOP 7"	009839	15	\$175
336A/337A	INDR STACK TOP 8"	009840	17	\$181
406A/407A	INDR STACK TOP 9"	009841	20	\$183
406A/407A	ADAPTER 9" X 10"	010781	5	\$57

D-11: RESIDENTIAL POOL HEATER OUTDOOR STACKLESS TOPS

106A	OUTDOOR TOP	STANDARD	SHIPPED LOOSE INSIDE BOX	
156A	OUTDOOR TOP	STANDARD	SHIPPED LOOSE INSIDE BOX	
106A	HIGHWIND TOP	014718	12	\$140
156A	HIGHWIND TOP	014719	12	\$143
206A/207A	HIGHWIND TOP	009834	20	\$210
266A/267A	HIGHWIND TOP	009835	20	\$248
336A/337A	HIGHWIND TOP	009836	25	\$259
406A/407A	HIGHWIND TOP	009837	25	\$286

HOSE ADAPTERS:

206A-407A	2" MPT TO 1 1/2" HOSE	006490	SET OF 2	\$32
-----------	-----------------------	--------	----------	------

POOLSTAT COVER/LOCK KIT

106A		014778	N/A	\$116
206A-407A		009505	2	\$94
Heat Pump Classic Series		009540	3	\$84

X-10: RESTRAINT BRACKET - HURRICANE TIE DOWN

206A-406A, 207A-407A		011636		\$13
----------------------	--	--------	--	------

RAYPAK TO RHEEM CROSS REFERENCE GUIDE

RESIDENTIAL POOL/SPA HEATERS - COPPER TUBING W/ NATURAL GAS

RAYPAK PRODUCT	RAYPAK P/N	RHEEM PRODUCT	RHEEM P/N
MILLIVOLT PLUS WITH POLYMER HEADERS, COPPER TUBING, NATURAL GAS			
P-R206A-MN-C #50	009192	P-M206A-MN-C #50	009906
P-R206A-MN-C #51	009196	P-M206A-MN-C #51	009910
P-R206A-MN-C #52	009842	P-M206A-MN-C #52	009914
P-R266A-MN-C #50	009193	P-M266A-MN-C #50	009907
P-R266A-MN-C #51	009197	P-M266A-MN-C #51	009911
P-R266A-MN-C #52	009843	P-M266A-MN-C #52	009915
P-R336A-MN-C #50	009194	P-M336A-MN-C #50	009908
P-R336A-MN-C #51	009198	P-M336A-MN-C #51	009912
P-R336A-MN-C #52	009844	P-M336A-MN-C #52	009916
P-R406A-MN-C #50	009195	P-M406A-MN-C #50	009909
P-R406A-MN-C #51	009199	P-M406A-MN-C #51	009913
P-R406A-MN-C #52	009845	P-M406A-MN-C #52	009917
POLYMER HEADERS, ANALOG CONTROL, ELECTRONIC IGNITION, NATURAL GAS			
P-R106A-AN-C	014779	P-M106A-AN-C	014797
P-R106A-AN-C	014780	P-M106A-AN-C	014798
POLYMER HEADERS, DIGITAL CONTROL, ELECTRONIC IGNITION, NATURAL GAS			
P-R156A-EN-C	014784	P-M156A-EN-C	014802
P-R156A-EN-C	014785	P-M156A-EN-C	014803
DIGITAL W/POLYMER HEADERS, COPPER TUBING, ELECTRONIC IGNITION, NATURAL GAS			
P-R206A-EN-C #50	009216	P-M206A-EN-C #50	009962
P-R206A-EN-C #51	009220	P-M206A-EN-C #51	009966
P-R206A-EN-C #52	009846	P-M206A-EN-C #52	009970
P-R266A-EN-C #50	009217	P-M266A-EN-C #50	009963
P-R266A-EN-C #51	009221	P-M266A-EN-C #51	009967
P-R266A-EN-C #52	009847	P-M266A-EN-C #52	009971
P-R336A-EN-C #50	009218	P-M336A-EN-C #50	009964
P-R336A-EN-C #51	009222	P-M336A-EN-C #51	009968
P-R336A-EN-C #52	009848	P-M336A-EN-C #52	009972
P-R406A-EN-C #50	009219	P-M406A-EN-C #50	009965
P-R406A-EN-C #51	009223	P-M406A-EN-C #51	009969
P-R406A-EN-C #52	009849	P-M406A-EN-C #52	009973
LOW NOx DIGITAL W/POLYMER HEADERS, COPPER TUBING, ELECTRONIC IGNITION, N-GAS			
P-R207AL-EN-C #26	009240	P-M207AL-EN-C #26	009990
P-R267AL-EN-C #26	009241	P-M267AL-EN-C #26	009991
P-R337AL-EN-C #26	009242	P-M337AL-EN-C #26	009992
P-R407AL-EN-C #26	009243	P-M407AL-EN-C #26	009993



RAYPAK TO RHEEM CROSS REFERENCE GUIDE

RESIDENTIAL POOL/SPA HEATERS - COPPER TUBING W/ PROPANE GAS

RAYPAK PRODUCT	RAYPAK P/N	RHEEM PRODUCT	RHEEM P/N
MILLIVOLT PLUS WITH POLYMER HEADERS, COPPER TUBING, PROPANE GAS			
P-R206A-MP-C #57	009200	P-M206A-MP-C #57	009918
P-R206A-MP-C #58	009204	P-M206A-MP-C #58	009922
P-R206A-MP-C #59	009208	P-M206A-MP-C #59	009926
P-R206A-MP-C #60	009212	P-M206A-MP-C #60	009930
P-R266A-MP-C #57	009201	P-M266A-MP-C #57	009919
P-R266A-MP-C #58	009205	P-M266A-MP-C #58	009923
P-R266A-MP-C #59	009209	P-M266A-MP-C #59	009927
P-R266A-MP-C #60	009213	P-M266A-MP-C #60	009931
P-R336A-MP-C #57	009202	P-M336A-MP-C #57	009920
P-R336A-MP-C #58	009206	P-M336A-MP-C #58	009924
P-R336A-MP-C #59	009210	P-M336A-MP-C #59	009928
P-R336A-MP-C #60	009214	P-M336A-MP-C #60	009932
P-R406A-MP-C #57	009203	P-M406A-MP-C #57	009921
P-R406A-MP-C #58	009207	P-M406A-MP-C #58	009925
P-R406A-MP-C #59	009211	P-M406A-MP-C #59	009929
P-R406A-MP-C #60	009215	P-M406A-MP-C #60	009933
POLYMER HEADERS, ANALOG CONTROL, ELECTRONIC IGNITION, PROPANE GAS			
P-R106A-AP-C	014781	P-M106A-AP-C	014799
P-R106A-AP-C	014782	P-M106A-AP-C	014800
P-R106A-AP-C	014783	P-M106A-AP-C	014801
POLYMER HEADERS, DIGITAL CONTROL, ELECTRONIC IGNITION, PROPANE GAS			
P-R156A-EP-C	014786	P-M156A-EP-C	014804
P-R156A-EP-C	014787	P-M156A-EP-C	014805
P-R156A-EP-C	014788	P-M156A-EP-C	014806
DIGITAL W/POLYMER HEADERS, COPPER TUBING, ELECTRONIC IGNITION, PROPANE GAS			
P-R206A-EP-C #57	009224	P-M206A-EP-C #57	009974
P-R206A-EP-C #58	009228	P-M206A-EP-C #58	009978
P-R206A-EP-C #59	009232	P-M206A-EP-C #59	009982
P-R206A-EP-C #60	009236	P-M206A-EP-C #60	009986
P-R266A-EP-C #57	009225	P-M266A-EP-C #57	009975
P-R266A-EP-C #58	009229	P-M266A-EP-C #58	009979
P-R266A-EP-C #59	009233	P-M266A-EP-C #59	009983
P-R266A-EP-C #60	009237	P-M266A-EP-C #60	009987
P-R336A-EP-C #57	009226	P-M336A-EP-C #57	009976
P-R336A-EP-C #58	009230	P-M336A-EP-C #58	009980
P-R336A-EP-C #59	009234	P-M336A-EP-C #59	009984
P-R336A-EP-C #60	009238	P-M336A-EP-C #60	009988
P-R406A-EP-C #57	009227	P-M406A-EP-C #57	009977
P-R406A-EP-C #58	009231	P-M406A-EP-C #58	009981
P-R406A-EP-C #59	009235	P-M406A-EP-C #59	009985
P-R406A-EP-C #60	009239	P-M406A-EP-C #60	009989
ELECTRIC SPA HEATERS			
ELS R-552-2	001642	ELS M-552-2	010426
ELS R-1102-2	001640	ELS M-1102-2	010427



RAYPAK TO RHEEM CROSS REFERENCE GUIDE

RESIDENTIAL POOL/SPA HEAT PUMPS

RAYPAK PRODUCT	RAYPAK P/N	RHEEM PRODUCT	RHEEM P/N
HEAT PUMPS			
R2350 ti-E	013597	M2350 ti-E	013598
R3350 ti-E	013599	M3350 ti-E	013600
R4350 ti-E	013601	M4350 ti-E	013602
R5350 ti-A	013319	M5350 ti-A	013322
R5350 ti-E	013306	M5350 ti-E	013312
R6350 ti-A	013320	M6350 ti-A	013323
R6350 ti-E	013307	M6350 ti-E	013313
R6350 ti-E-PD	013308	M6350 ti-E-PD	013314
R6350 ti-E-HC	013309	M6350 ti-E-HC	013315
R6353 ti-E	013493	M6353 ti-E	013494
R6353 ti-E-HC	013311	M6353 ti-E-HC	013317
R8350 ti-E	013331	M8350 ti-E	013337
R8350 ti-A	013334	M8350 ti-A	013338
R8353 ti-E	013412	M8353 ti-E	013413
R8354 ti-A	013431	M8354 ti-A	013432
R8350 ti-E-HC	013336	M8350 ti-E-HC	013340
R8353 ti-E-HC	013342	M8353 ti-E-HC	013344
RS5350 ti-E-QT	014701	MS5350 ti-E-QT	014699
RS6350 ti-E-QT	014702	MS6350 ti-E-QT	014700
RS8350 ti-E-QT	015120	MS8350 ti-E-QT	015121
R5450 ti-E	016010	M5450 ti-E	016012
R6450 ti-E	016015	M6450 ti-E	016017
R8450 ti-E	016033	M8450 ti-E	016035
R6450 ti-E-PD	016019	M6450 ti-E-PD	016020
R6450 ti-E-HC	016022	M6450 ti-E-HC	015023
R8450 ti-E-HC	016037	M8450 ti-E-HC	016038



PRODUCT NAME VS. MODEL NUMBER

PRODUCT NAME	MODEL NUMBER	DATE OF MANUFACTURE
GBI	33, R33	05-01-85 through 12-31-93
Gemini 3	53	11-01-82 through 12-31-84
Spa Pak	053A	01-01-84 through 03-01-86
Spa Pak	053B	01-01-86 through 05-01-87
Spa Pak	ELS 552-2, 1102-2	11-01-83 through current
Versa	055A	05-01-87 through 09-30-89
Versa	055B	10-01-90 through 04-13-13
Versa	105A	10-01-91 through 05-30-99
Versa Plus	105B	06-01-99 through 07-31-06
“Raypak”, Rheem, Ruud	106A	06-01-13 through current
Versa	130A	10-03-05 through 05-31-13
Versa Plus	155A	11-87 through 10-31-91
Versa Plus	155B/C	09-01-91 through 06-30-06
“Raypak”, Rheem, Ruud	156A	06-01-13 through current
Versa	185A, 265A, 335A, 405A	11-01-86 through 10-15-88
Versa	185B/C, 265B/C, 335B/C, 405B/C	10-16-88 through 11-01-93
Versa Oil Fired	315A	01-01-90 through 09-11-98
Spa Pak II, California III	151	1974 through 12-01-81
Spa Pak III, Gemini	153	12-01-81 through 01-01-84
Spa Pak III, Gemini	153A	01-01-84 through 02-15-87
Gemini	181, 261, 331, 401	1974 through 02-01-1982
Gemini 3, Spa Pak	183, 263, 333, 403	12-01-81 through 02-28-84
Gemini 3, Spa Pak	183A, 263A, 333A, 403A	01-01-84 through 11-01-86
RP2100	R185, R265, R335, R405	11-01-93 through 10-31-98
RP2100	R185A, R265A, R335A, R405A	11-01-98 through 01-04-04
RP2100	R185B, R265B, R335B, R405B	10-20-03 through 10-21-04
“Raypak”, Rheem, Ruud	206A, 266A, 336A, 406A	10-22-05 through current
“Raypak”, Rheem, Ruud	207A, 267A, 337A, 407A	10-22-05 through current

GAS LINE SIZING CHART

Maximum Equivalent Pipe Length (ft)								
Natural Gas 1000 BTU/FT ³ 0.60 Specific Gravity @ 0.5 in. WC Pressure Drop								
Propane Gas 2500 BTU/FT ³ 1.53 Specific Gravity @ 0.5 in. WC Pressure Drop								
	3/4"		1"		1-1/4"		1-1/2"	
Model	N	P	N	P	N	P	N	P
206/207	25	60	90	215	360			
266/267	15	35	50	125	210	480	445	
336/337	10	20	30	80	140	320	290	
406/407	*	15	20	55	95	225	215	480

*A 3/4" gas line can be used for up to 5 ft maximum length from the gas valve in addition to the sediment trap.

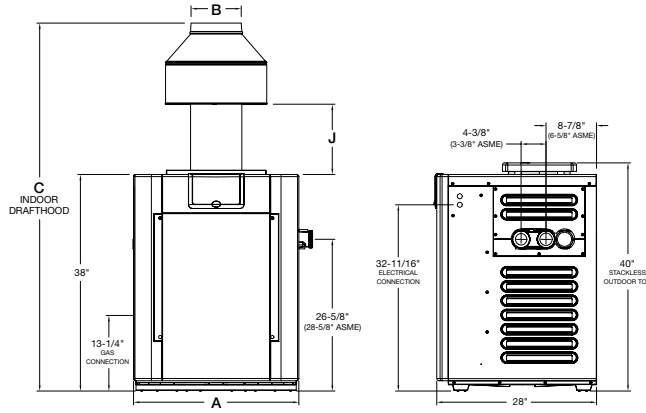
SECTION 2

COMMERCIAL HEATERS

DIGITAL CAST IRON ASME	21
DIGITAL CAST IRON ASME CUPRO-NICKEL	22
DIGITAL CAST IRON LOW NO _x ASME	23
DIGITAL CAST IRON LOW NO _x ASME CUPRO-NICKEL	24
MILLIVOLT CAST IRON ASME	25
PROFESSIONAL SERIES ASME BRASS DIGITAL	26
ASME OPTIONS	27
X94 PROFESSIONAL SERIES	28
X94 PROFESSIONAL SERIES OPTIONS	28
PROFESSIONAL HEAT PUMP 9350ti, 9353ti, 10353ti, 10354ti . . .	29
RAYTHERM 514-824	30
RAYTHERM 514-824	31
RAYTHERM 926-1178 OUTDOOR	32
RAYTHERM 962-1223 INDOOR	33
RAYTHERM 1287-1758 OUTDOOR	34
RAYTHERM 1336-1826 INDOOR	35
RAYTHERM 2100-4001 INDOOR	36
RAYTHERM OPTIONS	37
HI DELTA 502C-902C	41
HI DELTA 992C-1532C	42
HI DELTA 1802C-2342C	43
HI DELTA 502C-902C COLD RUN	44
HI DELTA 992C-1532C COLD RUN	45
HI DELTA 1802C-2342C COLD RUN	46
HI DELTA SURE RACK KIT	47
HI DELTA OPTIONS	48
MVB 504A-2004A	52
MVB 504A-2004A COLD RUN	53
MVB OPTIONS	54
XTHERM 1005A-2005A	56
XTHERM 2505-4005	57
XTHERM OPTIONS	58

DIGITAL CAST IRON ASME

- Digital LCD for temperature control and heater settings
- 2" glass-lined Cast Iron headers
- Microprocessor controls diagnostic readout and continuously monitors operational status
- Unitherm governor eliminates condensation
- Small footprint
- High-wind reliability
- 125# pressure relief valve included
- ANSI Z21.56 design certified



COMMERCIAL

Heater Model	BTUH Input (000)	(A) Cabinet Width	(B) Flue Diameter	(C) Indoor Drafthood	(J) Minimum	Gas Conn.	Water Conn.	Shipping Weights (lbs)	
								w/ Cast Iron Headers and Stackless Top	Indoor Drafthood
R206A	199.5	20"	6"	61-5/8"	11-7/8"	3/4"	2"	206	12
R266A	266.0	23"	7"	62"	11"	3/4"	2"	229	15
R336A	332.5	26"	8"	63"	10-5/8"	3/4"	2"	249	17
R406A	399.0	29"	9"	64-1/2"	12-5/16"	3/4"	2"	268	20

Dimensions are in inches.

MODEL	GAS	ELEVATION (feet)	PART NUMBER	SHIPPING WT (LBS)	LIST PRICE
C-R206A-EN-C #50	Natural	0-1999	009268	206	\$3,926
C-R206A-EN-C #51	Natural	2000-5999	009272	206	\$3,926
C-R206A-EN-C #52	Natural	6000-8999	009854	206	\$3,926
C-R266A-EN-C #50	Natural	0-1999	009269	229	\$4,261
C-R266A-EN-C #51	Natural	2000-5999	009273	229	\$4,261
C-R266A-EN-C #52	Natural	6000-8999	009855	229	\$4,261
C-R336A-EN-C #50	Natural	0-1999	009270	249	\$4,773
C-R336A-EN-C #51	Natural	2000-5999	009274	249	\$4,773
C-R336A-EN-C #52	Natural	6000-8999	009856	249	\$4,773
C-R406A-EN-C #50	Natural	0-1999	009271	268	\$5,347
C-R406A-EN-C #51	Natural	2000-5999	009275	268	\$5,347
C-R406A-EN-C #52	Natural	6000-8999	009857	268	\$5,347
C-R206A-EP-C #57	Propane	0-1999	009276	206	\$3,926
C-R206A-EP-C #58	Propane	2000-2999	009280	206	\$3,926
C-R206A-EP-C #59	Propane	3000-4999	009284	206	\$3,926
C-R206A-EP-C #60	Propane	5000-6999	009288	206	\$3,926
C-R266A-EP-C #57	Propane	0-1999	009277	229	\$4,261
C-R266A-EP-C #58	Propane	2000-2999	009281	229	\$4,261
C-R266A-EP-C #59	Propane	3000-4999	009285	229	\$4,261
C-R266A-EP-C #60	Propane	5000-6999	009289	229	\$4,261
C-R336A-EP-C #57	Propane	0-1999	009278	249	\$4,773
C-R336A-EP-C #58	Propane	2000-2999	009282	249	\$4,773
C-R336A-EP-C #59	Propane	3000-4999	009286	249	\$4,773
C-R336A-EP-C #60	Propane	5000-6999	009290	249	\$4,773
C-R406A-EP-C #57	Propane	0-1999	009279	268	\$5,347
C-R406A-EP-C #58	Propane	2000-2999	009283	268	\$5,347
C-R406A-EP-C #59	Propane	3000-4999	009287	268	\$5,347
C-R406A-EP-C #60	Propane	5000-6999	009291	268	\$5,347
Outdoor top is standard; add for indoor top.					
R206A	Indoor stack top		009838	14	\$172
R266A	Indoor stack top		009839	16	\$175
R336A	Indoor stack top		009840	19	\$180
R406A	Indoor stack top		009841	21	\$184

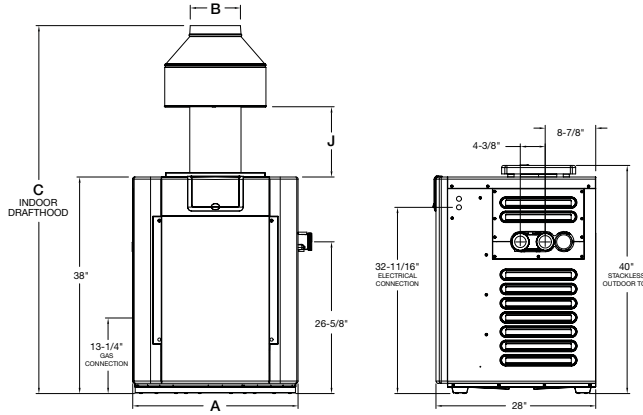
For options, see page 29.

For Parts See page 147

DIGITAL CAST IRON ASME CUPRO-NICKEL

- Digital LCD for temperature control and heater settings
- 2" glass-lined Cast Iron headers
- Microprocessor controls diagnostic readout and continuously monitors operational status
- Unitherm governor prevents condensation
- PVC plumbing directly to the heater
- 125# pressure relief valve included
- Can be installed on combustible surface
- Cupro-nickel tubing

COMMERCIAL



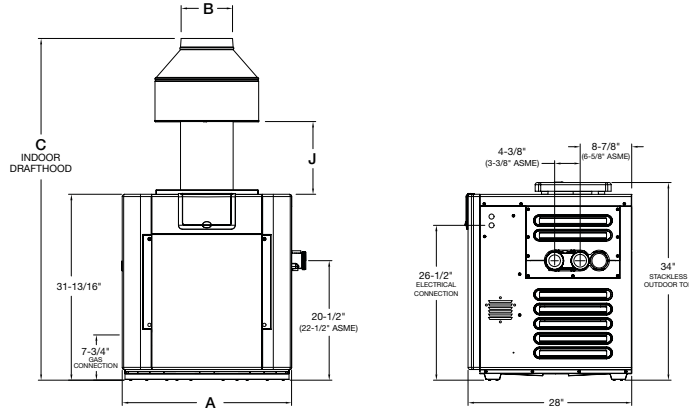
Heater Model	BTUH Input (000)	(A) Cabinet Width	(B) Flue Diameter	(C) Indoor Draft Hood	(J) Minimum	Gas Conn.	Water Conn.	Shipping Weights (lbs)	
								w/ Polymer Headers and Stackless Top	Indoor Draft Hood
R206A	199.5	20"	6"	61-5/8"	11-7/8"	3/4"	2"	206	12
R266A	266.0	23"	7"	62"	11"	3/4"	2"	229	15
R336A	332.5	26"	8"	63"	10-5/8"	3/4"	2"	249	17
R406A	399.0	29"	9"	64-1/2"	12-5/16"	3/4"	2"	268	20

Dimensions are in inches.

MODEL	GAS	ELEVATION (feet)	PART NUMBER	SHIPPING WEIGHT (LBS)	LIST PRICE
C-R206A-EN-X #50	Natural	0-1999	010198	206	\$4,239
C-R206A-EN-X #51	Natural	2000-5999	010202	206	\$4,239
C-R206A-EN-X #52	Natural	6000-8999	010206	206	\$4,239
C-R266A-EN-X #50	Natural	0-1999	010199	229	\$4,574
C-R266A-EN-X #51	Natural	2000-5999	010203	229	\$4,574
C-R266A-EN-X #52	Natural	6000-8999	010207	229	\$4,574
C-R336A-EN-X #50	Natural	0-1999	010200	249	\$5,085
C-R336A-EN-X #51	Natural	2000-5999	010204	249	\$5,085
C-R336A-EN-X #52	Natural	6000-8999	010208	249	\$5,085
C-R406A-EN-X #50	Natural	0-1999	010201	268	\$5,659
C-R406A-EN-X #51	Natural	2000-5999	010205	268	\$5,659
C-R406A-EN-X #52	Natural	6000-8999	010209	268	\$5,659
C-R206A-EP-X #57	Propane	0-1999	010210	206	\$4,239
C-R206A-EP-X #58	Propane	2000-2999	010214	206	\$4,239
C-R206A-EP-X #59	Propane	3000-4999	010218	206	\$4,239
C-R206A-EP-X #60	Propane	5000-6999	010222	206	\$4,239
C-R266A-EP-X #57	Propane	0-1999	010211	229	\$4,574
C-R266A-EP-X #58	Propane	2000-2999	010215	229	\$4,574
C-R266A-EP-X #59	Propane	3000-4999	010219	229	\$4,574
C-R266A-EP-X #60	Propane	5000-6999	010223	229	\$4,574
C-R336A-EP-X #57	Propane	0-1999	010212	249	\$5,085
C-R336A-EP-X #58	Propane	2000-2999	010216	249	\$5,085
C-R336A-EP-X #59	Propane	3000-4999	010220	249	\$5,085
C-R336A-EP-X #60	Propane	5000-6999	010224	249	\$5,085
C-R406A-EP-X #57	Propane	0-1999	010213	268	\$5,659
C-R406A-EP-X #58	Propane	2000-2999	010217	268	\$5,659
C-R406A-EP-X #59	Propane	3000-4999	010221	268	\$5,659
C-R406A-EP-X #60	Propane	5000-6999	010225	268	\$5,659
Outdoor top is standard; add for indoor top.					
R206A	Indoor stack top		009838	14	\$172
R266A	Indoor stack top		009839	16	\$175
R336A	Indoor stack top		009840	19	\$180
R406A	Indoor stack top		009841	21	\$184
206A-406A	Hose adapter 2" MPT to 1 1/2" hose (set of 2)		006490		\$33

DIGITAL CAST IRON LOW NOx ASME

- Digital LCD for temperature control and heater settings
- 2" glass-lined Cast Iron headers
- Microprocessor controls diagnostic readout and continuously monitors operational status
- High-wind reliability
- 125# pressure relief valve included
- Unitherm governor eliminates condensation
- ANSI Z21.56 design certified



COMMERCIAL

Heater Model	BTUH Input (000)	(A) Cabinet Width	(B) Flue Diameter	(C) Indoor Draft hood	(J) Minimum	Gas Conn.	Water Conn.	Shipping Weights (lbs)	
								w/ Cast Iron Headers and Stackless Top	Indoor Draft hood
R207A	199.5	20"	6"	55-5/8"	12"	3/4"	2"	193	12
R267A	266.0	23"	7"	56"	11-1/8"	3/4"	2"	216	15
R337A	332.5	26"	8"	57"	10-3/4"	3/4"	2"	238	17
R407A	399.0	29"	9"	58-1/2"	12-1/2"	3/4"	2"	256	20

Dimensions are in inches.

MODEL	GAS	ELEVATION (feet)	PART NUMBER	SHIPPING WEIGHT (LBS)	LIST PRICE
C-R207A-EN-C #26	Natural	0-5000	009292	193	\$4,176
C-R267A-EN-C #26	Natural	0-5000	009293	216	\$4,588
C-R337A-EN-C #26	Natural	0-5000	009294	238	\$5,080
C-R407A-EN-C #26	Natural	0-5000	009295	256	\$5,611

Not available for propane gas.

Outdoor top is standard; add for indoor top.

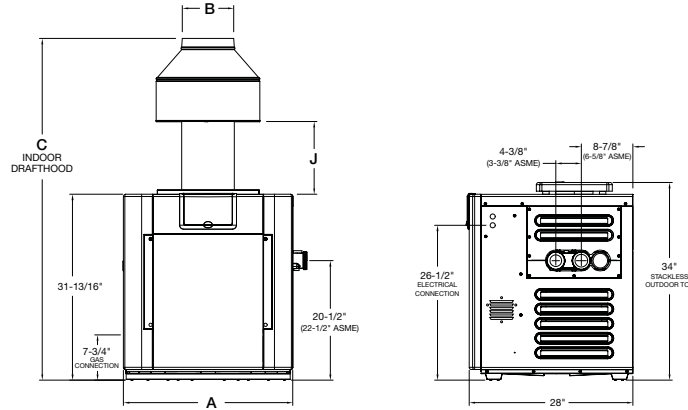
Model	Option	Part Number	Weight (LBS)	List Price
R207A	Indoor stack top	009838	14	\$172
R267A	Indoor stack top	009839	16	\$175
R337A	Indoor stack top	009840	19	\$180
R407A	Indoor stack top	009841	21	\$184

For options, see page 27.

DIGITAL CAST IRON LOW NO_x ASME CUPRO-NICKEL

- Digital LCD for temperature control and heater settings
- 2" glass-lined Cast Iron headers
- Microprocessor controls diagnostic readout and continuously monitors operational status
- High-wind reliability
- 125# pressure relief valve
- ANSI Z21.56 design certified
- Unitherm governor eliminates condensation

COMMERCIAL



Heater Model	BTUH Input (000)	(A) Cabinet Width	(B) Flue Diameter	(C) Indoor Draft Hood	(J) Minimum	Gas Conn.	Water Conn.	Shipping Weights (lbs)	
								w/ Cast Iron Headers and Stackless Top	Indoor Draft Hood
R207A	199.5	20"	6"	55-5/8"	12"	3/4"	2"	193	12
R267A	266.0	23"	7"	56"	11-1/8"	3/4"	2"	216	15
R337A	332.5	26"	8"	57"	10-3/4"	3/4"	2"	238	17
R407A	399.0	29"	9"	58-1/2"	12-1/2"	3/4"	2"	256	20

Dimensions are in inches.

MODEL	GAS	ELEVATION (feet)	PART NUMBER	SHIPPING WEIGHT (LBS)	LIST PRICE
C-R207A-EN-X #26	Natural	0-5000	010227	193	\$4,489
C-R267A-EN-X #26	Natural	0-5000	010228	216	\$4,901
C-R337A-EN-X #26	Natural	0-5000	010229	238	\$5,392
C-R407A-EN-X #26	Natural	0-5000	010230	256	\$5,923

Not available for propane gas.

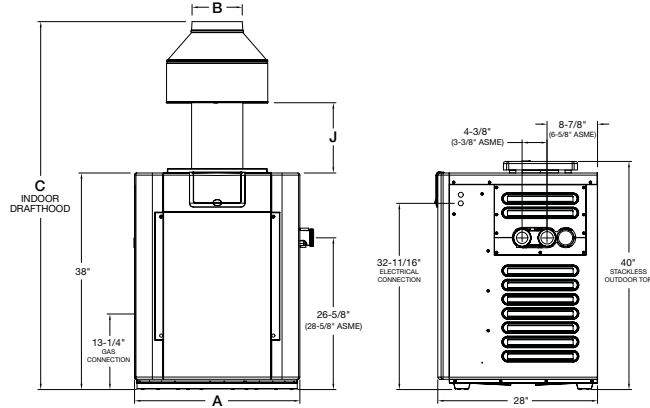
Outdoor top is standard; add for indoor top.

R207A	Indoor stack top	009838	14	\$172
R267A	Indoor stack top	009839	16	\$175
R337A	Indoor stack top	009840	19	\$180
R407A	Indoor stack top	009841	21	\$184

For options, see page 29.

MILLIVOLT CAST IRON ASME

- 2" glass-lined Cast Iron headers
- Unitherm Plus eliminates condensation
- Small footprint
- High-wind reliability
- 125# pressure relief valve
- ANSI Z21.56 design certified



COMMERCIAL

Heater Model	BTUH Input (000)	(A) Cabinet Width	(B) Flue Diameter	(C) Indoor Draft Hood	(J) Minimum	Gas Conn.	Water Conn.	Shipping Weights (lbs)	
								w/ Cast Iron Headers and Stackless Top	Indoor Draft Hood
R206A	199.5	20"	6"	61-5/8"	11-7/8"	3/4"	2"	206	12
R266A	266.0	23"	7"	62"	11"	3/4"	2"	229	15
R336A	332.5	26"	8"	63"	10-5/8"	3/4"	2"	249	17
R406A	399.0	29"	9"	64-1/2"	12-5/16"	3/4"	2"	268	20

Dimensions are in inches.

MODEL	GAS	ELEVATION (feet)	PART NUMBER	SHIPPING WEIGHT (LBS)	LIST PRICE
C-R206A-MN-C #50	Natural	0-1999	009244	206	\$3,926
C-R206A-MN-C #51	Natural	2000-5999	009248	206	\$3,926
C-R206A-MN-C #52	Natural	6000-8999	009850	206	\$3,926
C-R266A-MN-C #50	Natural	0-1999	009245	229	\$4,261
C-R266A-MN-C #51	Natural	2000-5999	009249	229	\$4,261
C-R266A-MN-C #52	Natural	6000-8999	009851	229	\$4,261
C-R336A-MN-C #50	Natural	0-1999	009246	249	\$4,773
C-R336A-MN-C #51	Natural	2000-5999	009250	249	\$4,773
C-R336A-MN-C #52	Natural	6000-8999	009852	249	\$4,773
C-R406A-MN-C #50	Natural	0-1999	009247	268	\$5,347
C-R406A-MN-C #51	Natural	2000-5999	009251	268	\$5,347
C-R406A-MN-C #52	Natural	6000-8999	009853	268	\$5,347
C-R206A-MP-C #57	Propane	0-1999	009252	206	\$3,926
C-R206A-MP-C #58	Propane	2000-2999	009256	206	\$3,926
C-R206A-MP-C #59	Propane	3000-4999	009260	206	\$3,926
C-R206A-MP-C #60	Propane	5000-6999	009264	206	\$3,926
C-R266A-MP-C #57	Propane	0-1999	009253	229	\$4,261
C-R266A-MP-C #58	Propane	2000-2999	009257	229	\$4,261
C-R266A-MP-C #59	Propane	3000-4999	009261	229	\$4,261
C-R266A-MP-C #60	Propane	5000-6999	009265	229	\$4,261
C-R336A-MP-C #57	Propane	0-1999	009254	249	\$4,773
C-R336A-MP-C #58	Propane	2000-2999	009258	249	\$4,773
C-R336A-MP-C #59	Propane	3000-4999	009262	249	\$4,773
C-R336A-MP-C #60	Propane	5000-6999	009266	249	\$4,773
C-R406A-MP-C #57	Propane	0-1999	009255	268	\$5,347
C-R406A-MP-C #58	Propane	2000-2999	009259	268	\$5,347
C-R406A-MP-C #59	Propane	3000-4999	009263	268	\$5,347
C-R406A-MP-C #60	Propane	5000-6999	009267	268	\$5,347

Outdoor top is standard; add for indoor top.

R206A	Indoor stack top	009838	14	\$172
R266A	Indoor stack top	009839	16	\$175
R336A	Indoor stack top	009840	19	\$180
R406A	Indoor stack top	009841	21	\$184

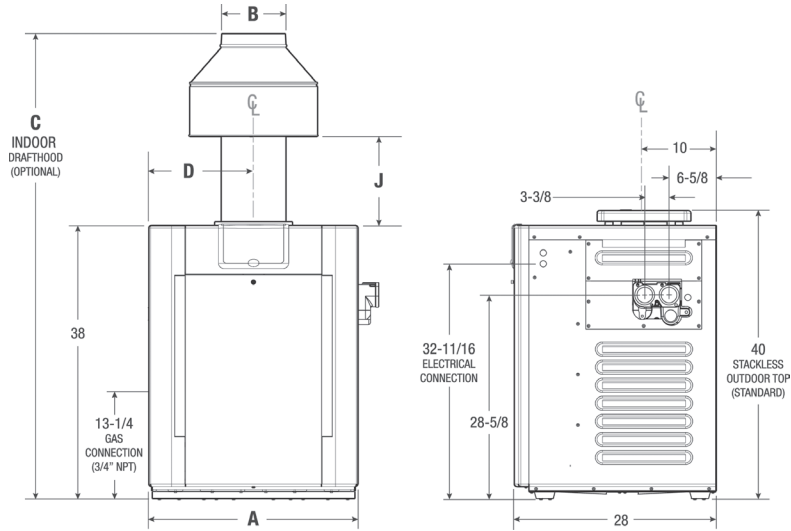
For options, see page 29.

For Parts See page 147

PROFESSIONAL SERIES ASME BRASS DIGITAL

- Digital LCD for temperature control and heater settings
- Stainless steel burner tray, base, flue collector
- Microprocessor controls diagnostic readout and continuously monitors operational status
- High-wind reliability
- Flow switch and T&P gauge-standard
- 125# pressure relief valve
- 3 year warranty
- 2" brass headers/Cupro-Nickel finned tubes

COMMERCIAL



Heater Model	BTUH Input (000)	(A) Cabinet Width	(B) Flue Diameter	(C) Indoor Draft Hood	(D) Minimum	(J) Minimum	Gas Conn.	Water Conn.	Shipping Weights (lbs)	
									w/ Brass Headers and Stackless Top	Indoor Draft Hood
R268A	266.0	23"	7"	62"	11-1/2"	11"	3/4"	2"	260	15
R408A	399.0	29"	9"	64-1/2"	14-1/2"	12-1/8"	3/4"	2"	270	20

Dimensions are in inches.

MODEL	GAS	ELEVATION (feet)	PART NUMBER	SHIPPING WEIGHT (LBS)	LIST PRICE
B-R268-EN-X #50	Natural	0-1999	013729	255	\$6,520
B-R268-EN-X #51	Natural	2000-5999	013739	255	\$6,520
B-R268-EN-X #52	Natural	6000-8999	013740	255	\$6,520
B-R408-EN-X #50	Natural	0-1999	013731	274	\$7,679
B-R408-EN-X #51	Natural	2000-5999	013744	274	\$7,679
B-R408-EN-X #52	Natural	6000-8999	013745	274	\$7,679
B-R268-EP-X #57	Propane	0-1999	013730	255	\$6,520
B-R268-EP-X #58	Propane	2000-2999	013741	255	\$6,520
B-R268-EP-X #59	Propane	3000-4999	013742	255	\$6,520
B-R268-EP-X #60	Propane	5000-6999	013743	255	\$6,520
B-R408-EP-X #57	Propane	0-1999	013732	274	\$7,679
B-R408-EP-X #58	Propane	2000-2999	013746	274	\$7,679
B-R408-EP-X #59	Propane	3000-4999	013747	274	\$7,679
B-R408-EP-X #60	Propane	5000-6999	013748	274	\$7,679
R268	240V IID ONLY		009832	36	\$897
R268	120V IID ONLY		010744	35	\$897
R408	240V IID ONLY		009833	39	\$913
R408	120V IID ONLY		010745	38	\$913
R268	INDR STACK TOP 7"		009839	16	\$175
R408	INDR STACK TOP 9"		009841	21	\$184
R408	ADAPTOR 9"X 10"		010781	5	\$184

ASME OPTIONS

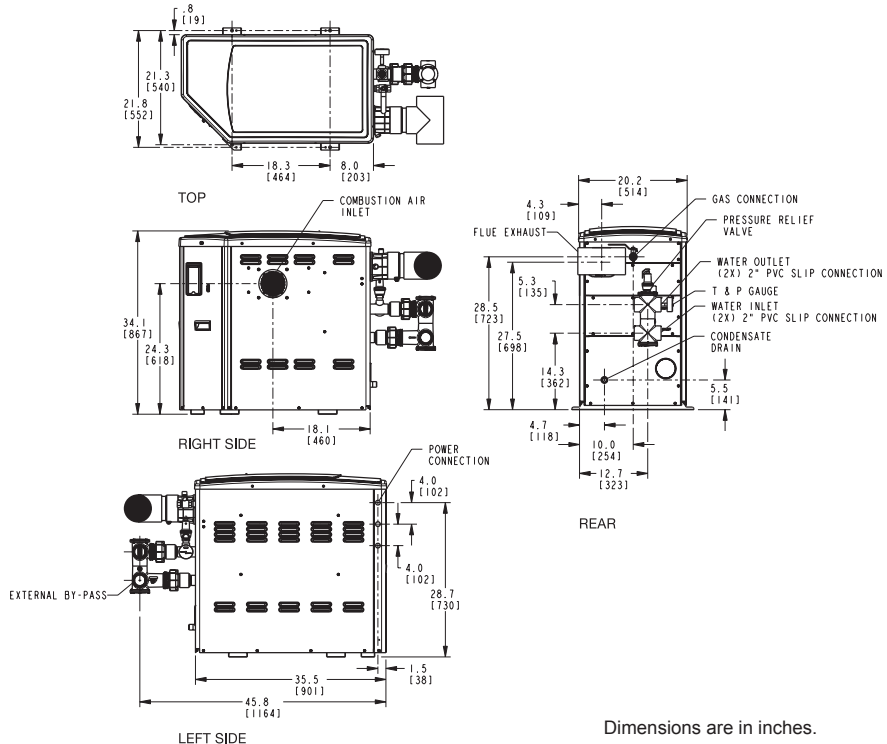
MODEL	DESCRIPTION	PART NUMBER	SHIPPING WEIGHT (lbs)	LIST PRICE
HOSE ADAPTORS				
206A-207A	2" MPT TO 1 1/2" HOSE	006490	SET OF 2	\$33
POOLSTAT COVER/LOCK KIT				
206A-267A		009505	2	\$94
Note: Use on heaters with Electronic Ignition only.				
D-2: POWER VENT - INDOOR				
206A/267A	240V IID ONLY	009832	36	\$897
206A/267A	120V IID ONLY	010744	35	\$897
336A/407A	240V IID ONLY	009833	39	\$914
336A/407A	120V IID ONLY	010745	38	\$914
Note: Power vents are shipped loose for field installation and wiring.				
D-10: RESIDENTIAL POOL HEATER INDOOR DRAFTHOODS				
206A/207A	INDR STACK TOP 6"	009838	14	\$172
266A/267A	INDR STACK TOP 7"	009839	16	\$175
336A/337A	INDR STACK TOP 8"	009840	19	\$180
406A/407A	INDR STACK TOP 9"	009841	21	\$184
406A/407A	ADAPTOR 9"X 10"	010781	5	\$184
Note: Adaptor 9" x 10" used to connect to standard 10" flue.				
D-11: RESIDENTIAL POOL HEATER STACKLESS TOPS - SHIPPED WITH HEATER				
F-2: FLOW SWITCH/T&P GAUGE KIT				
206A-407A	IID ONLY	013969	4	\$594
X-10: RESTRAINT BRACKET				
206A-406A, 207A-407A		011636		\$13

COMMERCIAL

X94 PROFESSIONAL SERIES

- 94% thermal efficiency
- ASME stainless steel heat exchanger
- Small footprint
- External bypass
- Cat IV vent - PVC, CPVC, Polypropylene, Stainless
- T&P and flow switch standard
- All connections on rear
- Easily nest units together
- 3 year warranty commercial installations
- Low NOx

COMMERCIAL



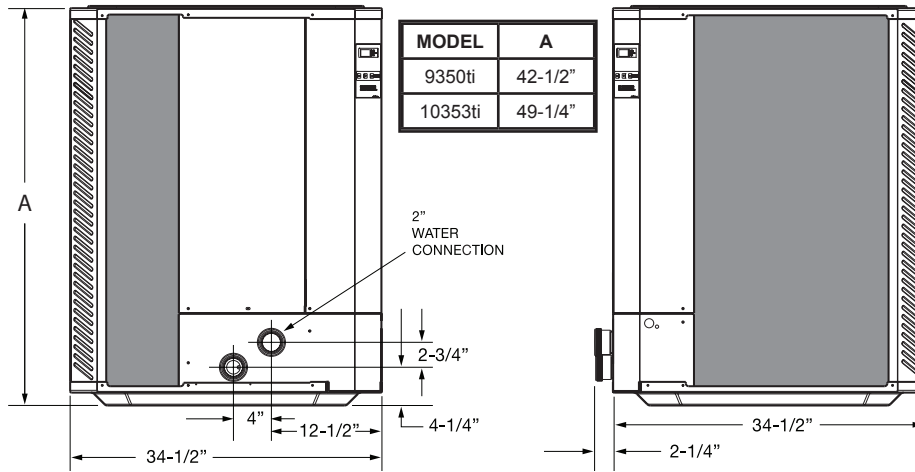
MODEL	GAS	ELEVATION (feet)	PART NUMBER	SHIPPING WEIGHT (LBS)	LIST PRICE
S-R410-EN ASME	Natural	0-4500	014280	300	\$18,251
S-R410-EP ASME	Propane	0-4500	014281	300	\$18,251

X94 PROFESSIONAL SERIES OPTIONS

MODEL	DESCRIPTION	PART NUMBER	SHIPPING WEIGHT (lbs)	LIST PRICE
D-11: VENT TERMINATION TEE				
410	STAINLESS STEEL TEE 4"	015361		\$125
410	PVC TEE 4"	015451		\$176
Z-12: CONDENSATE TREATMENT KIT				
410	600 (MBH)	015199		\$263

PROFESSIONAL HEAT PUMP 9350ti, 9353ti, 10353ti, 10354ti

- Stainless steel cabinet
- Titanium Heat Exchanger
- Scroll Compressor
- 2" PVC connection unions supplied
- 2 year labor, 7 year parts - commercial warranty
- Digital control with micro processor



COMMERCIAL

Dimensions are in inches.

MODEL	PS9350ti	PS9353ti	PS10353ti	PS10354ti
Heat BTUH Output	140,000/133,000	140,000/133,000	170,000/155,000	170,000/155,000
AHRI 1160* (80,80,80) / (80,63,80)				
High Ambient C.O.P.	6.1/5.8	6.1/5.8	5.8/5.3	5.8/5.3
Low Ambient C.O.P. **	4.0	4.0	4.0	4.0
Compressor	Scroll	Scroll	Scroll	Scroll
Refrigerant	R-410A	R-410A	R-410A	R-410A
Voltage	208/230V-3Ph-60Hz	208/230V-3Ph-60Hz	208/230V-3Ph-60Hz	460V-3Ph-60Hz
Minimum Circuit Ampacity	42	34	42	26
Maximum Breaker Size (Amps)	60	50	70	40
Electrical Input (kw)	6.7	6.7	8.6	8.6
Heat Exchanger	Titanium	Titanium	Titanium	Titanium
Water Flow (gpm)	30-60	30-60	30-60	30-60
Shipping Weight (lbs.)	363	363	445	450

*Tested to AHRI 1160

**All models comply with Florida 4.0 minimum C.O.P. requirement.



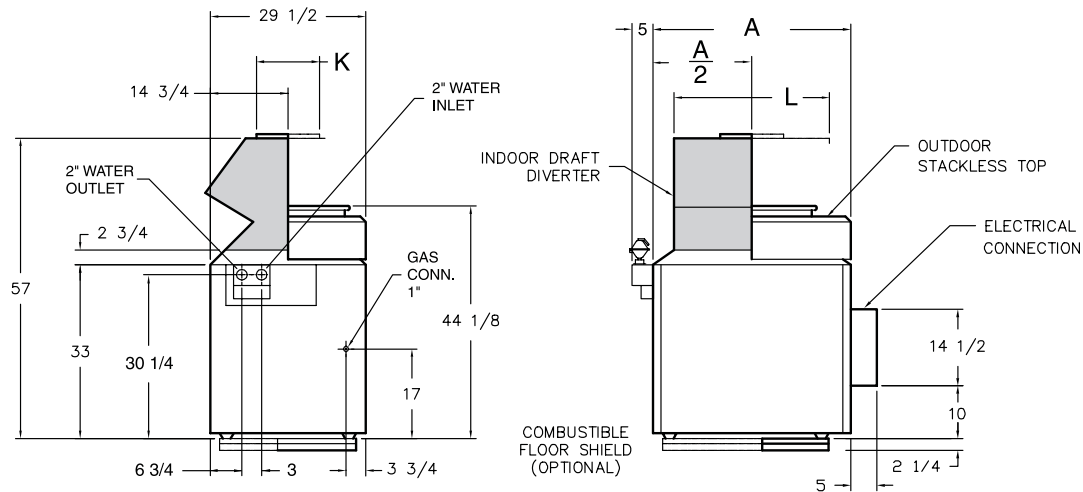
MODEL	BTU	PART NUMBER	SHIPPING WEIGHT (LBS)	LIST PRICE
PS9350ti-E-HC	140,000	014777	363	\$9,322
208V, Scroll compressor, digital thermostat, Ti heat exchanger, classic cabinet, 1 PH, heat cool.				
PS9353ti-E-HC	140,000	015385	363	\$9,863
208V, Scroll compressor, digital thermostat, Ti heat exchanger, classic cabinet, 3 PH, heat cool.				
PS10353ti-E-HC	170,000	013734	445	\$11,341
208V, Scroll compressor, digital thermostat, Ti heat exchanger, classic cabinet, 3 PH, heat cool.				
PS10354ti-E-HC	170,000	013735	450	\$11,341
460V, Scroll compressor, digital thermostat, Ti heat exchanger, classic cabinet, 3 PH heat cool.				
PS10355ti-E-HC	170,000	013906	450	\$11,341
460V, Scroll compressor, digital thermostat, Ti heat exchanger, classic cabinet, 3 PH heat cool.				

RAYTHERM 514-824

COMMERCIAL



- Indoor/outdoor installations
- Up to 82% thermal efficiency
- Natural or propane gas
- Fuel-saving electronic ignition
- Stainless steel burners
- 7/8" diameter finned cupro-nickel tubes
- Bronze headers
- Patented Unitherm Governor prevents condensation
- Optional factory-mounted remote spa



Dimensions are in inches.

Model	Input MBTUH	Output MBTUH	A	K	L
514	511.5	419.4	32-3/4"	10"	25-3/8"
624	627.0	514.0	37-1/2"	12"	29-1/2"
724	726.0	595.0	41-5/8"	12"	34-1/4"
824	825.0	676.5	45-3/4"	14"	38-1/2"

TOPS

MODEL	TOP	PART NUMBER	SHIPPING WEIGHT (LBS)	LIST PRICE
P 514	Indoor Top	001457	40	\$317
P 624	Indoor Top	001458	45	\$361
P 724	Indoor Top	001459	50	\$376
P 824	Indoor Top	001460	55	\$409
P 514	Outdoor Top	001103	45	\$690
P 624	Outdoor Top	001104	50	\$701
P 724	Outdoor Top	001105	55	\$757
P 824	Outdoor Top	001106	60	\$831

- HEATERS ON NEXT PAGE -

RAYTHERM 514-824

MODEL	GAS	ELEVATION (feet)	PART NUMBER	SHIPPING WEIGHT (LBS)	LIST PRICE
STANDARD					
P 514 #49	Natural	0-2000	001395	405	\$9,191
P 624 #49	Natural	0-2000	001396	425	\$10,876
P 724 #49	Natural	0-2000	001397	460	\$11,452
P 824 #49	Natural	0-2000	001398	495	\$12,212
P 514 #57	Propane	0-2000	001401	405	\$9,191
P 624 #57	Propane	0-2000	001402	425	\$10,876
P 724 #57	Propane	0-2000	001403	460	\$11,452
P 824 #57	Propane	0-2000	001404	495	\$12,212
CALIFORNIA CODE					
P 514 #49	Natural	0-2000	001429	405	\$9,979
P 624 #49	Natural	0-2000	001430	425	\$11,666
P 724 #49	Natural	0-2000	001431	460	\$12,241
P 824 #49	Natural	0-2000	001432	495	\$13,003
P 514 #57	Propane	0-2000	001435	405	\$9,979
P 624 #57	Propane	0-2000	001436	425	\$11,666
P 724 #57	Propane	0-2000	001437	460	\$12,241
P 824 #57	Propane	0-2000	001438	495	\$13,003

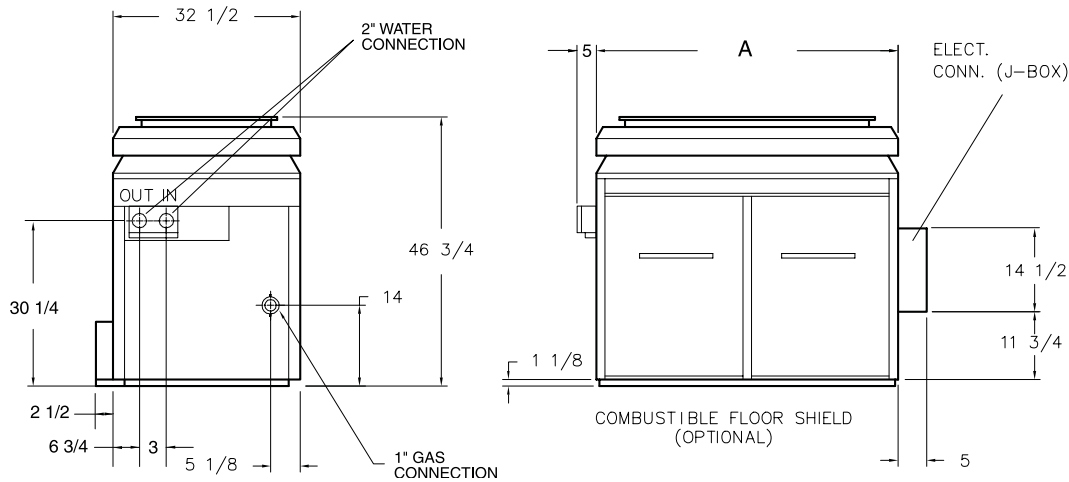
COMMERCIAL

RAYTHERM 926-1178 OUTDOOR



- Outdoor installations
- Up to 82% thermal efficiency
- Natural or propane gas
- Fuel-saving electronic ignition
- Stainless steel burners
- 7/8" diameter finned cupro-nickel tubes
- Bronze headers

COMMERCIAL



Model	Input MBTUH	Output MBTUH	A
926	926	759	52-3/8"
1083	1083	888	59-1/4"
1178	1178	966	63-5/8"

Dimensions are in inches.

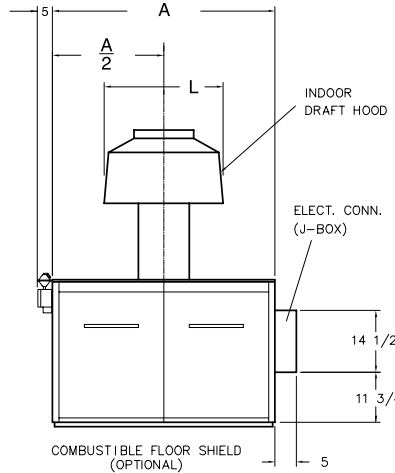
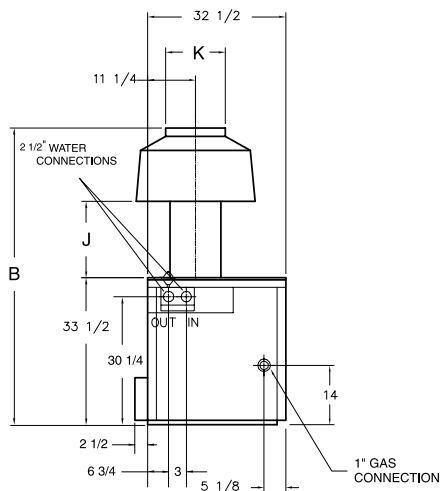
MODEL	GAS	ELEVATION (feet)	PART NUMBER	SHIPPING WEIGHT (LBS)	LIST PRICE
STANDARD UNIT-EQUIPPED WITH A UNITHERM GOVERNOR TO CONTROL CONDENSATION					
P 926 #49	Natural	0-2000	001374	600	\$13,939
P 1083 #49	Natural	0-2000	001375	745	\$14,355
P 1178 #49	Natural	0-2000	001376	760	\$15,485
P 926 #57	Propane	0-2000	001367	600	\$13,939
P 1083 #57	Propane	0-2000	001368	745	\$14,355
P 1178 #57	Propane	0-2000	001369	760	\$15,485
OPTIONAL UNIT-EQUIPPED WITH H-BYPASS TO CONTROL CONDENSATION					
P 926 #49	Natural	0-2000	012418	840	\$15,601
P 1083 #49	Natural	0-2000	012419	920	\$16,033
P 1178 #49	Natural	0-2000	012420	980	\$17,164
P 926 #57	Propane	0-2000	012415	840	\$15,601
P 1083 #57	Propane	0-2000	012416	920	\$16,033
P 1178 #57	Propane	0-2000	012417	980	\$17,164
OPTIONAL UNIT-EQUIPPED WITH A COLD WATER RUN SYSTEM TO CONTROL CONDENSATION					
P 926 #49	Natural	0-2000	012390	780	\$21,079
P 1083 #49	Natural	0-2000	012391	825	\$21,564
P 1178 #49	Natural	0-2000	012392	840	\$22,892
P 926 #57	Propane	0-2000	012383	780	\$21,079
P 1083 #57	Propane	0-2000	012384	825	\$21,564
P 1178 #57	Propane	0-2000	012385	840	\$22,892

RAYTHERM 962-1223 INDOOR

- Indoor installations
- Up to 82% thermal efficiency
- Natural or propane gas
- Fuel-saving electronic ignition
- Stainless steel burners
- 7/8" diameter finned cupro-nickel tubes
- Bronze headers



COMMERCIAL



Dimensions are in inches.

Model	Input MBTUH	Output MBTUH	A	B	J	K	L
962	961.7	788.6	52-3/8"	76-1/8"	23-5/8"	14"	28"
1125	1124.7	922.0	59-1/4"	76-1/8"	23-5/8"	16"	32"
1223	1222.5	1002.4	63-5/8"	76-1/8"	23-5/8"	16"	32"

MODEL	GAS	ELEVATION (feet)	PART NUMBER	SHIPPING WEIGHT (LBS)	LIST PRICE
STANDARD UNIT-EQUIPPED WITH A UNITHERM GOVERNOR TO CONTROL CONDENSATION					
P 962 #48	Natural	0-2000	001346	620	\$13,420
P 1125 #48	Natural	0-2000	001347	690	\$13,814
P 1223 #48	Natural	0-2000	001348	890	\$14,942
P 962 #57	Propane	0-2000	001339	620	\$13,420
P 1125 #57	Propane	0-2000	001340	690	\$13,814
P 1223 #57	Propane	0-2000	001341	890	\$14,942
OPTIONAL UNIT-EQUIPPED WITH H-BYPASS TO CONTROL CONDENSATION					
P 962 #48	Natural	0-2000	012412	760	\$15,082
P 1125 #48	Natural	0-2000	012413	805	\$15,493
P 1223 #48	Natural	0-2000	012414	890	\$16,619
P 962 #57	Propane	0-2000	012409	760	\$15,082
P 1125 #57	Propane	0-2000	012410	805	\$15,493
P 1223 #57	Propane	0-2000	012411	890	\$16,619
OPTIONAL UNIT-EQUIPPED WITH A COLD WATER RUN SYSTEM TO CONTROL CONDENSATION					
P 962 #48	Natural	0-2000	012376	700	\$20,562
P 1125 #48	Natural	0-2000	012377	770	\$21,026
P 1223 #48	Natural	0-2000	012378	970	\$22,350
P 962 #57	Propane	0-2000	012369	700	\$20,562
P 1125 #57	Propane	0-2000	012370	770	\$21,026
P 1223 #57	Propane	0-2000	012371	970	\$22,350
INDOOR STACK TOP					
P 962			006484	30	\$511
P 1125/1223			006485	45	\$515

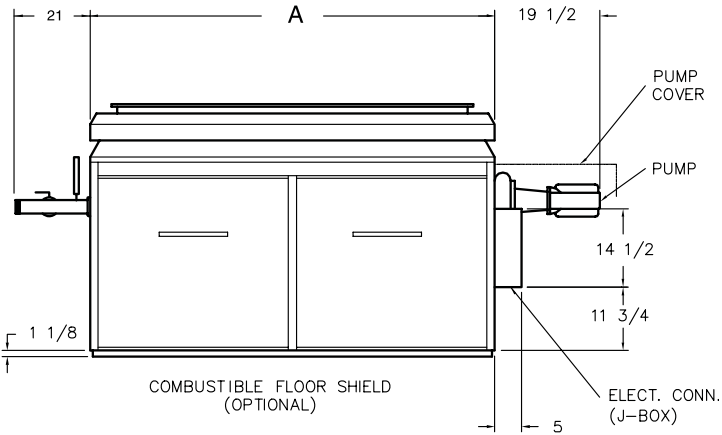
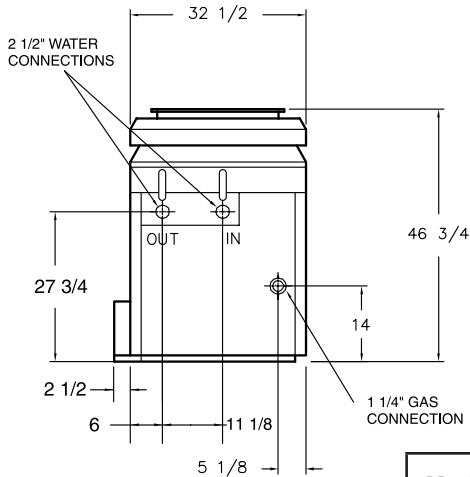
For Parts See page 200

RAYTHERM 1287-1758 OUTDOOR



- Outdoor installations
- Up to 82% thermal efficiency
- Natural or propane gas
- Fuel-saving electronic ignition
- Stainless steel burners
- 7/8" diameter finned cupro-nickel tubes
- Bronze headers
- Rear-mounted bronze bypass pump included
- Front-mounted bronze bypass assembly

COMMERCIAL



Model	Input MBTUH	Output MBTUH	A
1287	1287.0	1055.0	68-5/8"
1414	1413.0	1158.5	74-7/8"
1571	1570.0	1287.0	81-1/8"
1758	1758.0	1441.5	89-3/8"

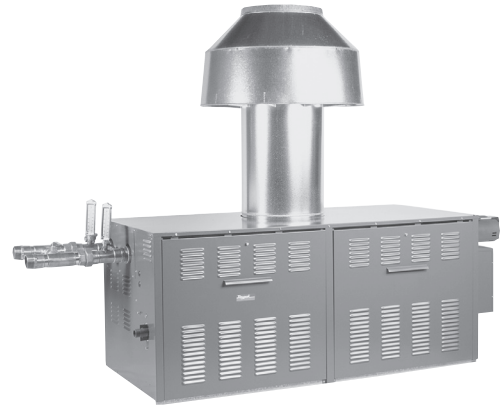
Dimensions are in inches.

MODEL	GAS	ELEVATION (feet)	PART NUMBER	SHIPPING WEIGHT (LBS)	LIST PRICE
STANDARD UNIT-EQUIPPED WITH AN EXTERNAL MANUAL BYPASS TO CONTROL CONDENSATION					
P 1287 #49	Natural	0-2000	001377	1076	\$19,127
P 1414 #49	Natural	0-2000	001378	1105	\$19,961
P 1571 #49	Natural	0-2000	001379	1235	\$21,046
P 1758 #49	Natural	0-2000	001380	1300	\$24,312
P 1287 #57	Propane	0-2000	001370	1076	\$19,127
P 1414 #57	Propane	0-2000	001371	1105	\$19,961
P 1571 #57	Propane	0-2000	001372	1235	\$21,046
P 1758 #57	Propane	0-2000	001373	1300	\$24,312
OPTIONAL UNIT-EQUIPPED WITH A COLD WATER RUN SYSTEM TO CONTROL CONDENSATION					
P 1287 #49	Natural	0-2000	012393	945	\$24,858
P 1414 #49	Natural	0-2000	012394	1030	\$25,454
P 1571 #49	Natural	0-2000	012395	1220	\$26,540
P 1758 #49	Natural	0-2000	012396	1230	\$29,805
P 1287 #57	Propane	0-2000	012386	945	\$24,858
P 1414 #57	Propane	0-2000	012387	1030	\$25,454
P 1571 #57	Propane	0-2000	012388	1220	\$26,540
P 1758 #57	Propane	0-2000	012389	1230	\$29,805

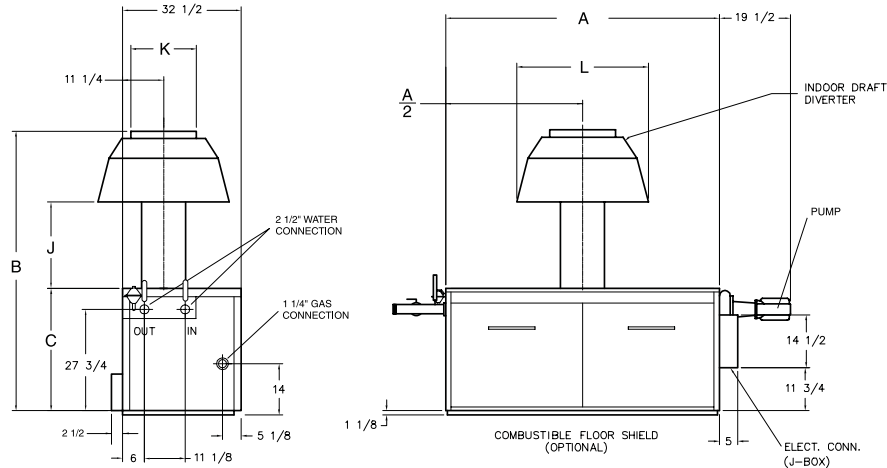
Outdoor top included.

RAYTHERM 1336-1826 INDOOR

- Indoor installations
- Up to 82% thermal efficiency
- Natural or propane gas
- Fuel-saving electronic ignition
- Stainless steel burners
- 7/8" diameter finned cupro-nickel tubes
- Bronze headers
- Rear-mounted bronze bypass pump included
- Front-mounted bronze bypass assembly



COMMERCIAL

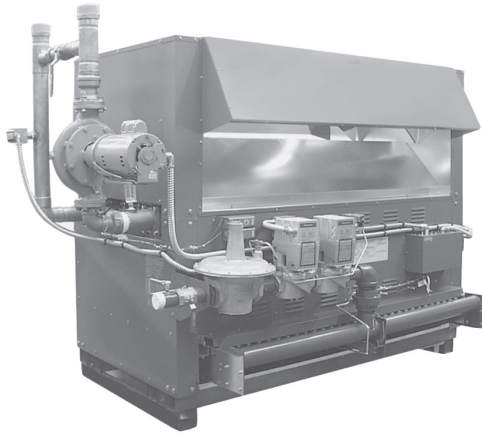


Model	Input MBTUH	Output MBTUH	A	B	C	J	K	L
1336	1336.0	1096.0	68-5/8"	80-1/8"	33-1/2"	23-5/8"	18"	36"
1468	1467.0	1203.0	74-7/8"	80-1/8"	33-1/2"	23-5/8"	18"	36"
1631	1630.0	1336.6	81-1/8"	83-1/8"	36-1/2"	23-5/8"	18"	36"
1826	1825.6	1497.0	89-3/8"	85-1/8"	36-1/2"	23-5/8"	20"	40"

Dimensions are in inches.

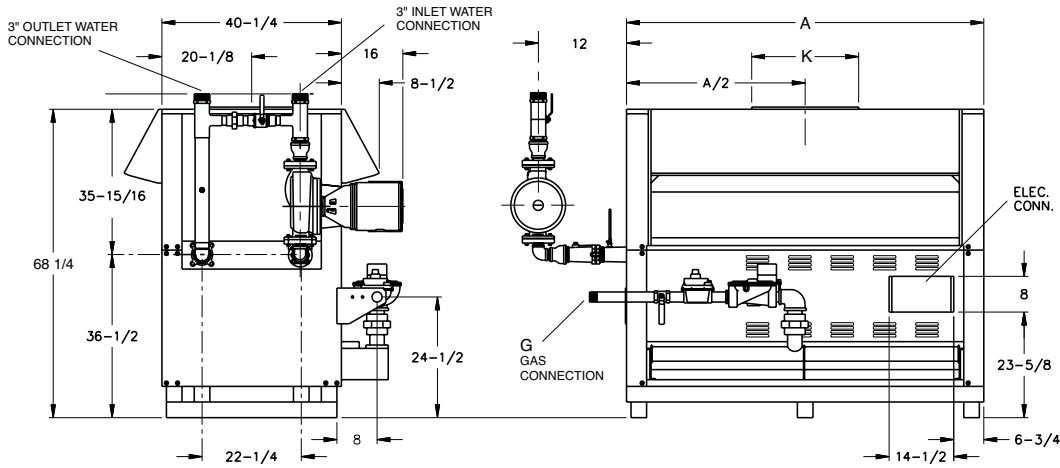
MODEL	GAS	ELEVATION (feet)	PART NUMBER	SHIPPING WEIGHT (LBS)	LIST PRICE
STANDARD UNIT-EQUIPPED WITH AN EXTERNAL MANUAL BYPASS TO CONTROL CONDENSATION					
STANDARD UNIT-EQUIPPED WITH AN EXTERNAL MANUAL BYPASS TO CONTROL CONDENSATION					
P 1336 #48	Natural	0-2000	001349	925	\$18,327
P 1468 #48	Natural	0-2000	001350	976	\$19,111
P 1631 #48	Natural	0-2000	001351	1040	\$20,196
P 1826 #48	Natural	0-2000	001352	1088	\$23,488
P 1336 #57	Propane	0-2000	001342	925	\$18,327
P 1468 #57	Propane	0-2000	001343	976	\$19,111
P 1631 #57	Propane	0-2000	001344	1040	\$20,196
P 1826 #57	Propane	0-2000	001345	1088	\$23,488
OPTIONAL UNIT-EQUIPPED WITH A COLD WATER RUN SYSTEM TO CONTROL CONDENSATION					
P 1336 #48	Natural	0-2000	012379	1005	\$24,059
P 1468 #48	Natural	0-2000	012380	900	\$24,607
P 1631 #48	Natural	0-2000	012381	1030	\$25,690
P 1826 #48	Natural	0-2000	012382	1100	\$28,980
P 1336 #57	Propane	0-2000	012372	1005	\$24,059
P 1468 #57	Propane	0-2000	012373	900	\$24,607
P 1631 #57	Propane	0-2000	012374	1030	\$25,690
P 1826 #57	Propane	0-2000	012375	1100	\$28,980
INDOOR STACK TOP					
P 1336/1468/1631			006486	80	\$760
P 1826			006487	95	\$776

For Parts See page 200



RAYTHERM 2100-4001 INDOOR

- Indoor installations only
- Up to 82% thermal efficiency
- Natural or propane gas
- Fuel-saving electronic ignition
- Dual gas valves
- 7/8" diameter finned cupro-nickel tubes
- Bronze headers
- Front mounted bypass and bronze pump included



Model	Input MBTUH	Output MBTUH	A	G	K
2100	2100.0	1722.0	61"	(a)	24"
2500	2499.0	2049.0	70"	(a)	26"
3001	3000.0	2460.0	81-1/4"	2"	28"
3500	3500.0	2870.0	92-1/2"	2"	30"
4001	4000.0	3280.0	103-3/4"	2"	32"

Dimensions are in inches.
 1 1/2" or 2" Contingent on code requirements.

MODEL	GAS	ELEVATION (feet)	PART NUMBER	SHIPPING WEIGHT (LBS)	LIST PRICE
STANDARD UNIT-EQUIPPED WITH AN EXTERNAL MANUAL BYPASS TO CONTROL CONDENSATION					
P 2100 #17	Natural	0-2000	001881	1580	\$29,087
P 2500 #17	Natural	0-2000	001883	1780	\$30,486
P 3001 #17	Natural	0-2000	001885	2000	\$34,486
P 3500 #17	Natural	0-2000	001887	2180	\$37,054
P 4001 #17	Natural	0-2000	001889	2500	\$41,364
P 2100 #36	Propane	0-2000	001882	1580	\$29,087
P 2500 #36	Propane	0-2000	001884	1780	\$30,486
P 3001 #36	Propane	0-2000	001886	2000	\$34,486
P 3500 #36	Propane	0-2000	001888	2180	\$37,054
P 4001 #36	Propane	0-2000	001890	2500	\$41,364
OPTIONAL UNIT-EQUIPPED WITH A COLD WATER RUN SYSTEM TO CONTROL CONDENSATION					
P 2100 #17	Natural	0-2000	012397	1690	\$34,127
P 2500 #17	Natural	0-2000	012399	1890	\$35,530
P 3001 #17	Natural	0-2000	012401	2110	\$39,532
P 3500 #17	Natural	0-2000	012403	2290	\$42,095
P 4001 #17	Natural	0-2000	012405	2610	\$46,404
P 2100 #36	Propane	0-2000	012398	1690	\$34,127
P 2500 #36	Propane	0-2000	012400	1890	\$35,530
P 3001 #36	Propane	0-2000	012402	2110	\$39,532
P 3500 #36	Propane	0-2000	012404	2290	\$42,095
P 4001 #36	Propane	0-2000	012406	2610	\$46,404

RAYTHERM OPTIONS

MODEL	DESCRIPTION	PART NUMBER	SHIPPING WEIGHT (LBS)	LIST PRICE
A-6: RIGHT-HAND WATER CONNECTIONS				
P 514-4001		056817	ALL	\$340
C-4: 15-SECOND LOCKOUT IGNITION IN LIEU OF 90-SECOND				
P 514-4001		S01078	ALL	\$67
C-5: IGNITION LATCHING LOCKOUT MODULES (FACTORY-MOUNTED)				
P 514-4001		066146		\$922
D-1: POWER VENT IN LIEU OF STANDARD INDOOR TOPS (MOUNTED)				
P 514	SHIPPED MOUNTED	065128	150	\$3,786
P 624	SHIPPED MOUNTED	065129	150	\$3,786
P 724	SHIPPED MOUNTED	065130	150	\$3,786
P 824	SHIPPED MOUNTED	065131	150	\$3,786
P 962	SHIPPED MOUNTED	065351	160	\$5,495
P 1125	SHIPPED MOUNTED	065352	160	\$5,495
P 1223	SHIPPED MOUNTED	065353	160	\$5,495
P 1336	SHIPPED MOUNTED	065354	160	\$5,495
P 1468	SHIPPED MOUNTED	065355	175	\$5,495
P 1631	SHIPPED MOUNTED	065356	175	\$5,495
P 1826	SHIPPED MOUNTED	065357	175	\$5,495
D-2: POWER VENT - HEATER WIRED, SHIPPED LOOSE				
P 514	SHIPPED LOOSE	005091	117	\$3,494
P 624	SHIPPED LOOSE	005092	114	\$3,494
P 724	SHIPPED LOOSE	005093	129	\$3,494
P 824	SHIPPED LOOSE	005094	108	\$3,494
P 962	SHIPPED LOOSE	005321	108	\$5,184
P 1125	SHIPPED LOOSE	005322	114	\$5,184
P 1223	SHIPPED LOOSE	005323	110	\$5,184
P 1336	SHIPPED LOOSE	005324	110	\$5,184
P 1468	SHIPPED LOOSE	005325	132	\$5,184
P 1631	SHIPPED LOOSE	005326	132	\$5,184
P 1826	SHIPPED LOOSE	005327	128	\$5,184
P 2100-2500	SHIPPED LOOSE	005627	234	\$10,331
P 3001	SHIPPED LOOSE	005629	310	\$10,331
P 3500	SHIPPED LOOSE	005630	307	\$10,331
P 4001	SHIPPED LOOSE	005631	307	\$10,331
D-10: COMMERCIAL POOL HEATER INDOOR DRAFTHOODS				
P 514	INDOOR TOP	001457	40	\$317
P 624	INDOOR TOP	001458	45	\$361
P 724	INDOOR TOP	001459	50	\$376
P 824	INDOOR TOP	001460	55	\$409
P 962	INDOOR TOP	006484	30	\$511
P 1125	INDOOR TOP	006485	45	\$515
P 1223	INDOOR TOP	006485	45	\$515
P 1336	INDOOR TOP	006486	80	\$760
P 1468	INDOOR TOP	006486	80	\$760
P 1631	INDOOR TOP	006486	80	\$760
P 1826	INDOOR TOP	006487	95	\$776

COMMERCIAL

RAYTHERM OPTIONS

COMMERCIAL

MODEL	DESCRIPTION	PART NUMBER	SHIPPING WEIGHT (LBS)	LIST PRICE
D-11: COMMERCIAL POOL HEATER Outdoor STACKLESS Tops				
P 514	OUTDOOR TOP	001103	45	\$690
P 624	OUTDOOR TOP	001104	50	\$701
P 724	OUTDOOR TOP	001105	55	\$757
P 824	OUTDOOR TOP	001106	60	\$831

D-12: BAROMETRIC DAMPER (SHIPPED LOOSE)

P 962	14"	006049	19	\$776
P 1125-1336	16"	006050	26	\$1,021
P 1468-1631	18"	006051	20	\$1,267
P 1826	20"	006052	26	\$1,577

Note: Thermal Switch included with Barometric Damper at no charge.

D-15: SIDEWALL VENT HOOD FOR POWER VENTS (OPTIONAL) Indoor HEATERS ONLY

P 514-824	SHIPPED LOOSE	006646	10	\$199
P 962-1826	SHIPPED LOOSE	006650	10	\$202

E-4: ALARM CENTER

P 514-4001	3" BELL	065839	ALL	\$862
P 514-4001	4" BELL	065782	ALL	\$1,630

F-1: FLOW SWITCH

P 514-1223	SHIPPED LOOSE	010862	ALL	\$273
P 514-1178	IN 2" TEE ON INLET	056870	ALL	\$595
P 1287-4001			ALL	STANDARD

F-9: LOW WATER CUT-OFF

P 514-1223	IN 2" TEE ON OUTLET	064092	UG ONLY	\$759
P 926-1223	IN 2-1/2" TEE ON OUTLET	075995	CWR ONLY	\$759
P 926-1826	IN RETURN HEADER	056864	H-BYPASS	\$759
P 1287-1826	IN RETURN HEADER	056864	CWR ONLY	\$759
P 2100-4001	IN RETURN HEADER	056850	ALL	\$759

RAYTHERM OPTIONS

MODEL	DESCRIPTION	PART NUMBER	SHIPPING WEIGHT (LBS)	LIST PRICE
G-1: CSD-1 CODE CONTROLS				
P 514-824	NAT OR PRO	with UG		\$566
P 926-1223	NAT OR PRO	with UG		\$356
P 926-1223	NAT OR PRO	with H-Bypass/CWR		\$84
P 1287-2500	NAT OR PRO	with H-Bypass/CWR		\$290
P 3001-4001	NAT OR PRO	with H-Bypass/CWR		\$895

G-4: ILLINOIS SCHOOL CODE CONTROLS (BOCA)

P 514-4001				\$941
------------	--	--	--	-------

G-12: CALIFORNIA CODE CONTROLS

P 514-824				See page 31
P 926-4001				\$759

Notes:

1. CSD-1 option does not include (C-5) Manual Ignition Lockout. Order C-5 separately if required.
2. Sizes 514-1223 Flow Switch will ship loose on units using Unitherm Governor models.
3. H-Bypass & Cold Water Run models 926-4001 flow switch is mounted.
4. See the Official Pool Price Book for a list of States requiring CSD-1.
5. As of the 2004 Edition of CSD-1, ANSI Z21.56 pool heaters are specifically exempted from CSD-1. Not all states have adopted the 2004 revision. See the Official Pool Price Book for States and CSD-1 version adopted.

I-6: TEMPERATURE LIMITING CONTROL - 100°F MAX

P 514-4001	006040	ALL		\$322
------------	--------	-----	--	-------

J-1: COMBUSTIBLE FLOOR SHIELDS, MOUNTED

P 514 OUTDOOR	066517			\$179
P 624 OUTDOOR	066518			\$181
P 724 OUTDOOR	066519			\$197
P 824 OUTDOOR	066520			\$202
P 926 OUTDOOR	066596			\$242
P 1083 OUTDOOR	066597			\$491
P 1178 OUTDOOR	066598			\$491
P 1287 OUTDOOR	066599			\$505
P 1414 OUTDOOR	066600			\$533
P 1571 OUTDOOR	066601			\$540
P 1758 OUTDOOR	066602			\$609

COMMERCIAL

RAYTHERM OPTIONS

COMMERCIAL

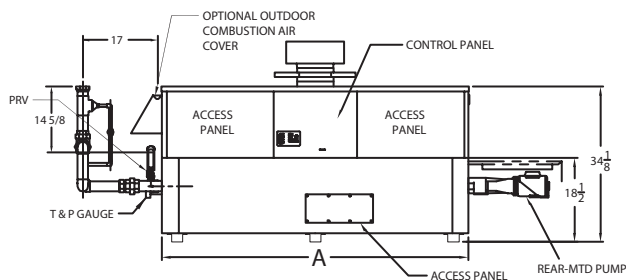
MODEL	DESCRIPTION	PART NUMBER	SHIPPING WEIGHT (LBS)	LIST PRICE
M-1: SAFETY VALVES, MOTORIZED				
P 514-824		SPR		\$1,804
P 926-1468		SPR		\$1,955
P 1571-1826		SPR		\$1,771
P 2100-2500		SPR		\$2,048
P 3001-4001		SPR		STANDARD
M-10: SAFETY VALVES, SOLENOID				
P 514-962		SPR		\$986
P1083-1336		SPR		\$1,132
P 1414-1826		SPR		\$1,132
P 2100-2500		SPR		\$1,132
P 3001-4001		SPR		\$1,498
S-1: LOW GAS PRESSURE SWITCH				
P 514-4001		065654		\$466
S-2: HIGH GAS PRESSURE SWITCHES				
P 514-2500		065653		\$466
P 3001-4001				STANDARD
Z-1: RIGHT-HAND GAS CONNECTIONS				
P 514-4001		056860		\$865
Z-7: TEMPERATURE AND PRESSURE GAUGE				
P 514-1223		600672		\$82

HI DELTA 502C-902C

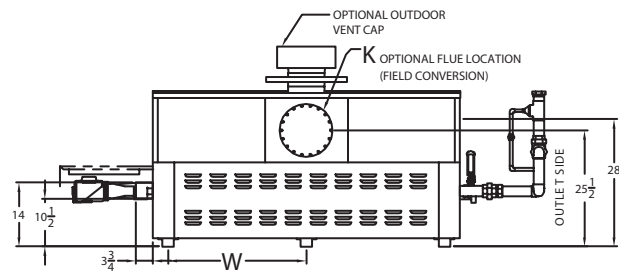
- Indoor/outdoor installation
- Ultra-low NOx
- 85% thermal efficiency
- Cupro-nickel tubes
- Bronze headers
- Top or back venting
- Sealed combustion chamber
- Only one inch installation clearance needed
- Stackable without increased footprint
- VERSA IC Controller
- Rear-mounted bronze pump



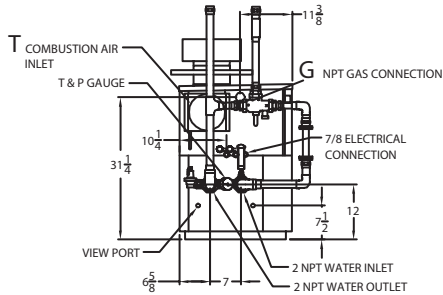
COMMERCIAL



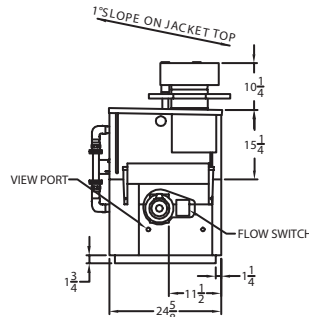
FRONT VIEW



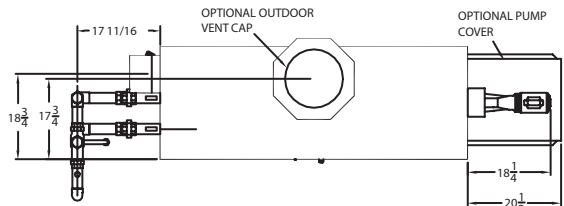
BACK VIEW



LEFT SIDE



RIGHT SIDE



TOP VIEW

Model	Input MBTUH	Output MBTUH	A Width	G NPT	H NPT	K	T	W	Amp. Draw	Shipping Wt. (Lbs.)
502C	500	425	50"	1-1/4"	2"	6"	6"	22"	6	584
652C	650	553	60-1/2"	1-1/4"	2"	8"	6"	27-1/4"	6	754
752C	750	638	67-1/2"	1-1/4"	2"	8"	6"	30-3/4"	6	812
902C	900	765	78"	1-1/4"	2"	8"	6"	36"	7	898

MODEL	GAS	ELEVATION (feet)	PART NUMBER	SHIPPING WEIGHT (LBS)	LIST PRICE
P 502C	Natural	0-5000	016061	584	\$21,215
P 652C	Natural	0-5000	016062	754	\$22,104
P 752C	Natural	0-5000	016063	812	\$22,714
P 902C	Natural	0-5000	016064	898	\$24,912
P 502C	Propane	0-5000	016074	584	\$21,215
P 652C	Propane	0-5000	016075	754	\$22,104
P 752C	Propane	0-5000	016076	812	\$22,714
P 902C	Propane	0-5000	016077	898	\$24,912

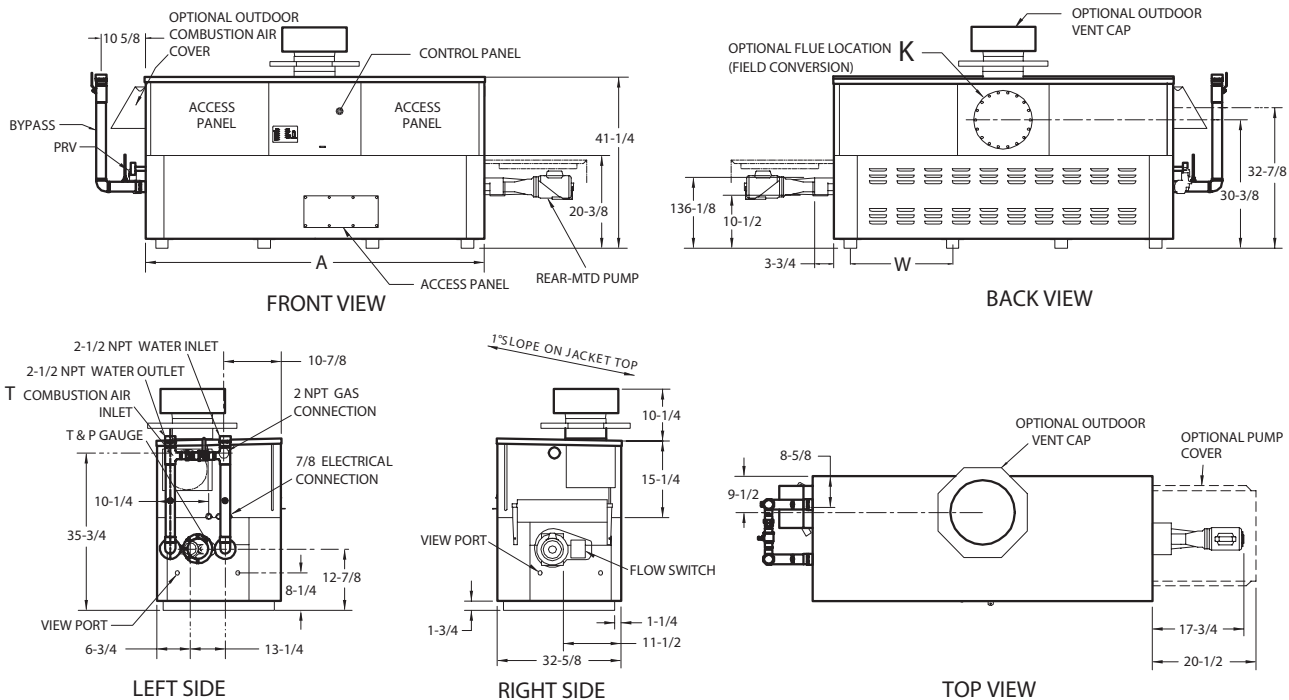
For Parts See page 241

HI DELTA 992C-1532C

COMMERCIAL



- Indoor/outdoor installation
- Ultra-low NOx
- 85% thermal efficiency
- Cupro-nickel tubes
- Bronze headers/CPVC Plumbing
- Vent top or back
- Sealed combustion chamber
- Only one inch installation clearance needed
- Stackable without increased footprint
- VERSA IC Controller
- Non-ferrous bypass and pump assembly



Model	Input MBTUH	Output MBTUH	Firing Stages	A Width	H NPT	K	T	W	Amp. Draw*	Shipping Wt. (Lbs.)
992C	990	842	3	57-1/8"	2-1/2"	10"	10"	16-13/16"	<12	964
1262C	1260	1071	4	68-1/2"	2-1/2"	12"	10"	20-9/16"	<12	1055
1532C	1530	1301	4	79-7/8"	2-1/2"	12"	10"	24-3/8"	<12	1255

* Without pump

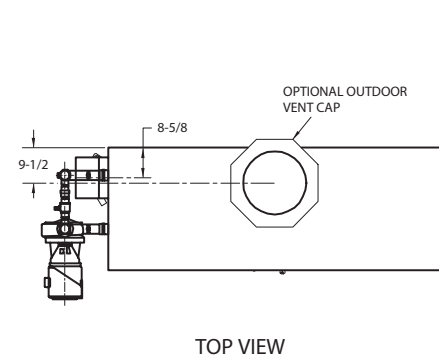
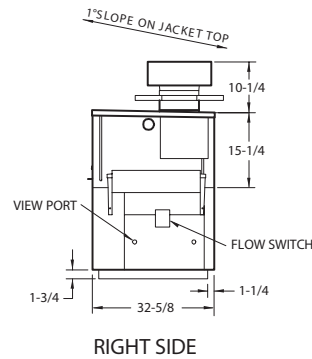
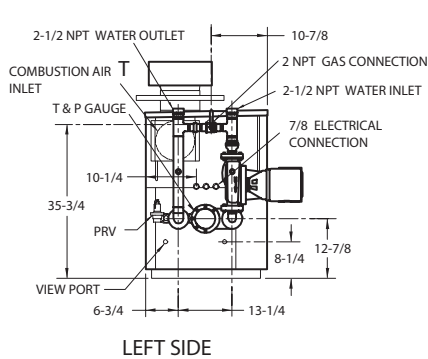
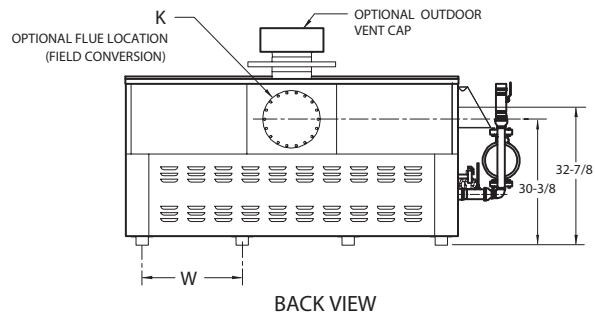
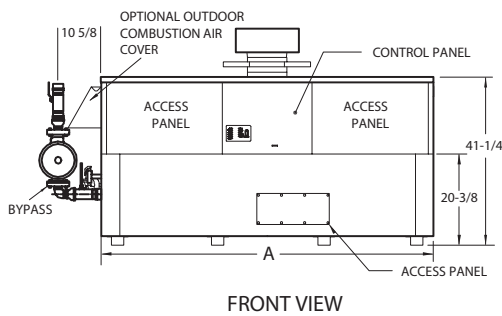
MODEL	GAS	ELEVATION (feet)	PART NUMBER	SHIPPING WEIGHT (LBS)	LIST PRICE
P 992C	Natural	0-5000	016065	964	\$27,583
P 1262C	Natural	0-5000	016066	1055	\$30,747
P 1532C	Natural	0-5000	016067	1188	\$33,326
P 992C	Propane	0-5000	016078	964	\$27,583
P 1262C	Propane	0-5000	016079	1055	\$30,747
P 1532C	Propane	0-5000	016080	1188	\$33,326

HI DELTA 1802C-2342C

- Indoor/outdoor installation
- Ultra-low NOx
- 85% thermal efficiency
- Cupro-nickel tubes
- Bronze headers/CPVC Plumbing
- Top or back venting
- Sealed combustion chamber
- Only one inch installation clearance needed
- Stackable without increased footprint
- VERSA IC Controller
- Non-ferrous bypass and pump assembly



COMMERCIAL



Model	Input MBTUH	Output MBTUH	Firing Stages	A Width	H NPT	K	T	W	Amp. Draw*	Shipping Wt. (Lbs.)
1802C	1800	1530	4	91-1/8"	2-1/2"	14"	10"	28-1/8"	<12	1331
2002C	1999	1699	4	102-1/2"	2-1/2"	14"	10"	31-15/16"	<12	1471
2072C	2070	1760	4	102-1/2"	2-1/2"	14"	10"	31-15/16"	<12	1470
2342C	2340	1989	4	113-7/8"	2-1/2"	16"	10"	35-11/16"	<12	1615

* Without pump

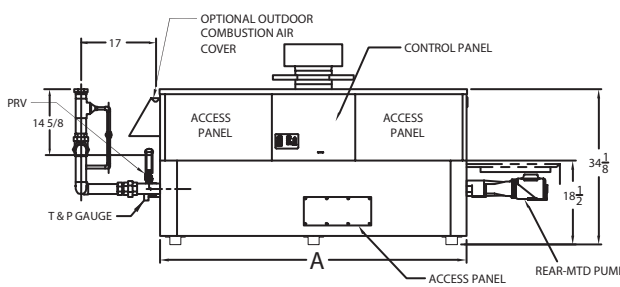
MODEL	GAS	ELEVATION (feet)	PART NUMBER	SHIPPING WEIGHT (LBS)	LIST PRICE
P 1802C	Natural	0-5000	016068	1331	\$35,540
P 2002C	Natural	0-5000	016069	1470	\$41,514
P 2072C	Natural	0-5000	016070	1470	\$41,514
P 2342C	Natural	0-5000	016071	1615	\$46,261
P 1802C	Propane	0-5000	016081	1331	\$35,540
P 2072C	Propane	0-5000	016082	1470	\$41,514
P 2342C	Propane	0-5000	016083	1615	\$46,261

For Parts See page 248

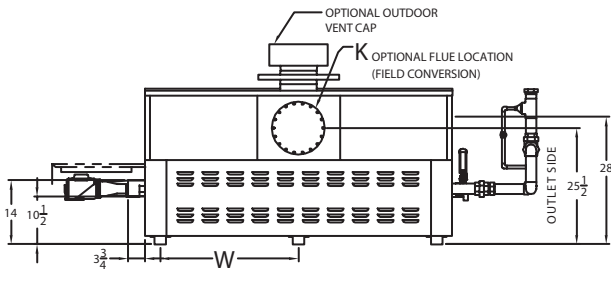


HI DELTA 502C-902C COLD RUN

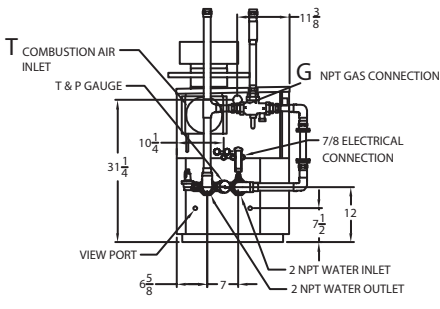
- Indoor/outdoor installation
- Ultra-low NOx
- 85% thermal efficiency
- Cupro-nickel tubes
- Bronze headers/CPVC Plumbing
- Top or back venting
- Sealed combustion chamber
- Only one inch installation clearance needed
- Stackable without increased footprint
- VERSA IC Controller
- Rear-mounted bronze pump



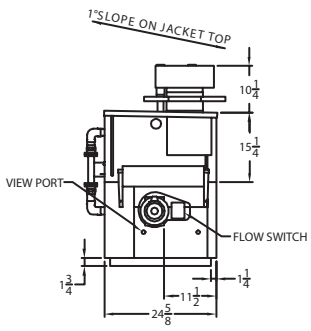
FRONT VIEW



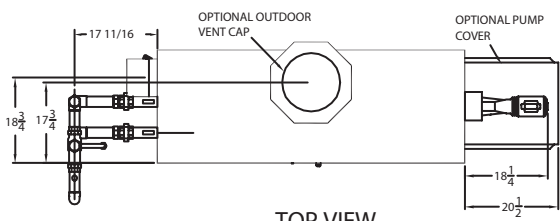
BACK VIEW



LEFT SIDE



RIGHT SIDE



TOP VIEW

Model	Input MBTUH	Output MBTUH	A Width	G NPT	H NPT	K	T	W	Amp. Draw	Shipping Wt. (Lbs.)
502C	500	425	50"	1-1/4"	2"	6"	6"	22"	6	730
652C	650	553	60-1/2"	1-1/4"	2"	8"	6"	27-1/4"	6	830
752C	750	638	67-1/2"	1-1/4"	2"	8"	6"	30-3/4"	6	890
902C	900	765	78"	1-1/4"	2"	8"	6"	36"	7	980

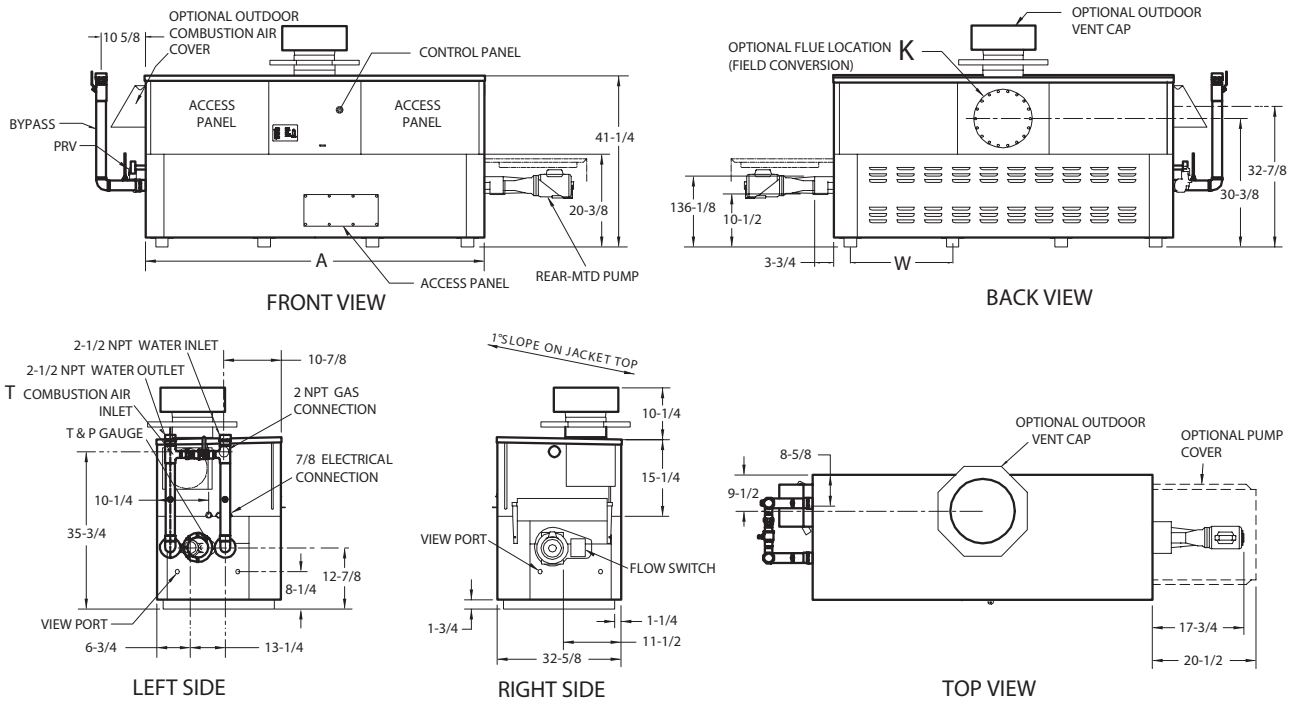
MODEL	GAS	ELEVATION (feet)	PART NUMBER	SHIPPING WEIGHT (LBS)	LIST PRICE
P 502C	Natural	0-5000	016084	730	\$25,343
P 652C	Natural	0-5000	016085	830	\$26,232
P 752C	Natural	0-5000	016086	890	\$26,843
P 902C	Natural	0-5000	016087	980	\$29,042
P 502C	Propane	0-5000	016095	730	\$25,343
P 652C	Propane	0-5000	016096	830	\$26,232
P 752C	Propane	0-5000	016097	890	\$26,843
P 902C	Propane	0-5000	016098	980	\$29,042

HI DELTA 992C-1532C COLD RUN

- Indoor/outdoor installation
- Ultra-low NOx
- 85% thermal efficiency
- Cupro-nickel tubes
- Bronze headers/CPVC Plumbing
- Top or back venting
- Sealed combustion chamber
- Only one inch installation clearance needed
- Stackable without increased footprint
- VERSA IC Controller
- Rear-mounted bronze pump



COMMERCIAL



Model	Input MBTUH	Output MBTUH	Firing Stages	A Width	H NPT	K	T	W	Amp. Draw*	Shipping Wt. (Lbs.)
992C	990	842	3	57-1/8"	2-1/2"	10"	10"	16-13/16"	<12	1075
1262C	1260	1071	4	68-1/2"	2-1/2"	12"	10"	20-9/16"	<12	1130
1532C	1530	1301	4	79-7/8"	2-1/2"	12"	10"	24-3/8"	<12	1330

* Without pump

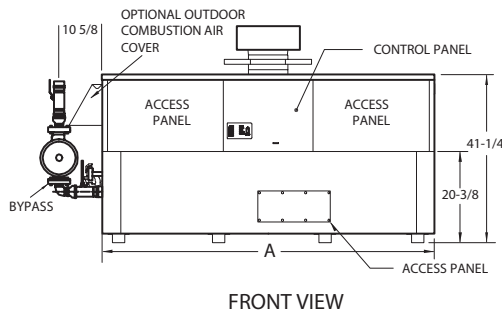
MODEL	GAS	ELEVATION (feet)	PART NUMBER	SHIPPING WEIGHT (LBS)	LIST PRICE
P 992C	Natural	0-5000	016088	1075	\$32,330
P 1262C	Natural	0-5000	016089	1130	\$35,223
P 1532C	Natural	0-5000	016090	1330	\$37,672
P 992C	Propane	0-5000	016099	1075	\$32,330
P 1262C	Propane	0-5000	016100	1130	\$35,223
P 1532C	Propane	0-5000	016101	1330	\$37,672

For Parts See page 248

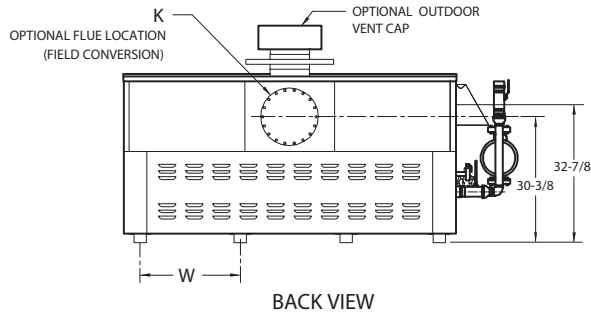


HI DELTA 1802C-2342C COLD RUN

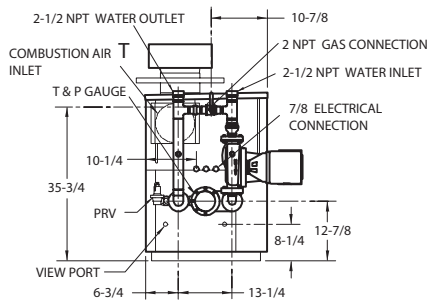
- Indoor/outdoor installation
- Ultra-low NOx
- 85% thermal efficiency
- Cupro-nickel tubes
- Bronze headers/CPVC Plumbing
- Top or back venting
- Sealed combustion chamber
- Only one inch installation clearance needed
- Stackable without increased footprint
- VERSA IC Controller
- Front-mounted bronze pump



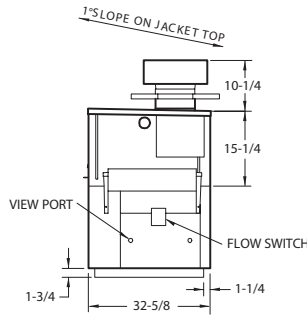
FRONT VIEW



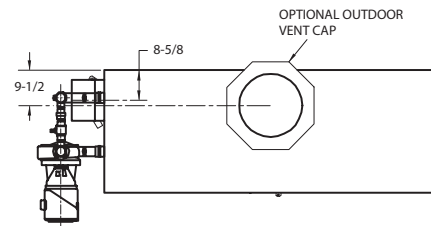
BACK VIEW



LEFT SIDE



RIGHT SIDE



TOP VIEW

Model	Input MBTUH	Output MBTUH	Firing Stages	A Width	H NPT	K	T	W	Amp. Draw*	Shipping Wt. (Lbs.)
1802C	1800	1530	4	91-1/8"	2-1/2"	14"	10"	28-1/8"	<12	1535
2002C	1999	1699	4	102-1/2"	2-1/2"	14"	10"	31-15/16"	<12	1670
2072C	2070	1760	4	102-1/2"	2-1/2"	14"	10"	31-15/16"	<12	1670
2342C	2340	1989	4	113-7/8"	2-1/2"	16"	10"	35-11/16"	<12	1730

* Without pump

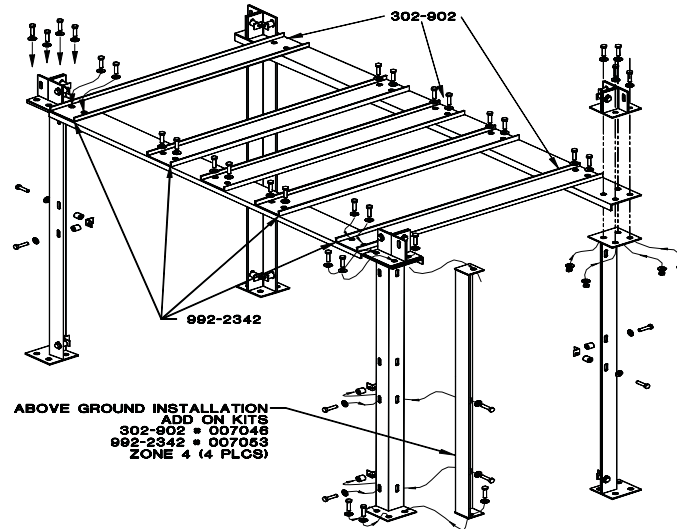
MODEL	GAS	ELEVATION (feet)	PART NUMBER	SHIPPING WEIGHT (LBS)	LIST PRICE
P 1802C	Natural	0-5000	016091	1535	\$69,945
P 2002C	Natural	0-5000	016092	1670	\$46,483
P 2072C	Natural	0-5000	016093	1670	\$46,483
P 2342C	Natural	0-5000	016094	1730	\$51,226
P 1802C	Propane	0-5000	016102	1535	\$69,945
P 2072C	Propane	0-5000	016103	1670	\$46,483
P 2342C	Propane	0-5000	016104	1730	\$51,226

HI DELTA SURE RACK KIT

- Two-boiler vertical stack
- No vent offset required
- Small footprint
- Low ceiling height
- Heavy-duty construction
- Easy assembly
- All hardware included
- Still allows for complete servicing



COMMERCIAL



HI DELTA RACK KIT					
OPTION #	X-1		X-2		X-3
	KIT-SURE RACK (2 Boilers)		KIT-ADD ON Add to Stand Rack price		Bracket Restraint
MODEL	PART NUMBER	LIST PRICE	PART NUMBER	LIST PRICE	P/N & NET PRICE
502C	006908	\$2,141	011919	\$423	P/N 008136 \$832
652C	006909	\$2,178			
752C	006910	\$2,194			
902C	006911	\$2,247			
992C	011563	\$2,298			
1262C	011564	\$2,364	011920	\$445	P/N 008147 \$902
1532C	011565	\$2,428			
1802C	011566	\$2,612			
2002C	011567	\$3,163			
2072C	011567	\$3,163			
2342C	011568	\$3,278			

X-4				INFORMATION	
MODEL	RACK EXTENSION	P/N	LIST PRICE	GROUND LEVEL	ABOVE GROUND
502C-902C	8"	S03610	\$453	STANDARD X-1	ADD X-2 KIT
992C-2342C	8"	S03514	\$466		

Note: X-1 Racks are for ground-level installations only. The X-2 add-on kit is required for above-ground installations.

HI DELTA OPTIONS

COMMERCIAL

MODEL	DESCRIPTION	PART NUMBER	SHIPPING WEIGHT (LBS)	LIST PRICE
A-6: RIGHT-HAND WATER				
P 502C-2342C		069056		\$309

C-6: LOCKOUT IGNITION MODULE - MANUAL RESET				
P 502C-2342C	In Lieu of Standard	069305		N/C

D-11: OUTDOOR TOP				
P 502C	6"	010794	15	\$185
P 652C/752C/902C	8"	010795	17	\$233
P 992C	10"	010796	20	\$348
P 1262C/1532C	12"	010797	20	\$398
P 1802C/2002C/2072C	14"	010798	25	\$555
P 2342C	16"	010799	25	\$670

NOTE: Includes an intake, vent hood and flow switch cover for outdoor units.

D-12: BAROMETRIC DAMPER W/O THERMAL SWITCH - Single Acting				
P 502C	6"	009518	7	\$209
P 652C/752C/902C	8"	009519	4	\$246
P 992C	10"	009520	7	\$406
P 1262C/1532C	12"	009521	12	\$542
P 1802C/2002C/2072C	14"	009522	15	\$592
P 2342C	16"	015733	25	\$861

D-14: FLUE EXHAUST TEE BACK OUTLET - MOUNTED				
P 502C	6"	073598		\$229
P 652C/752C/902C	8"	073599		\$244
P 992C	10"	073600		\$382
P 1262C/1532C	12"	073601		\$424
P 1802C/2002C/2072C	14"	073602		\$540
P 2342C	16"	073603		\$612

D-15: VENT TERMINATION CAP - Horizontal installation (CATEGORY III OR IV)				
P 502C	6"	006644	6	\$174
P 652C/752C/902C	8"	006646	13	\$199
P 992C	10"	006650	10	\$202
P 1262C/1532C	12"	007989	15	\$438
P 1802C/2002C/2072C	14"	007002	36	\$439
P 2342C	16"	007003	33	\$440

D-16: AIR INTAKE ELBOW - 90° with screen				
P 502C-902C	6"	006997	3	\$47
P 992C-2342C	10"	006999	5	\$79

HI DELTA OPTIONS

COMMERCIAL

MODEL	DESCRIPTION	PART NUMBER	SHIPPING WEIGHT (LBS)	LIST PRICE
D-17: INLINE AIR INTAKE FILTER - Required only when TruSeal is used				
P 502C/902C	6"	006926	10	\$113
P 992C-2342C	10"	006928	10	\$121

D-18: VENT ADAPTER (CATEGORY III & IV)

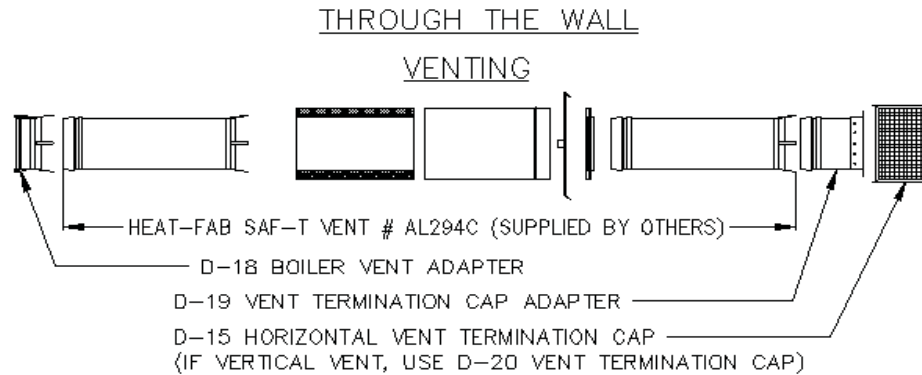
FOR USE WITH HEAT-FAB SAF-T VENT #AL294C SINGLE & DOUBLE WALL VENT

P 502C	6"	007005	6	\$101
P 652C/752C/902C	8"	007006	2	\$115
P 992C	10"	007007	3	\$175
P 1262C/1532C	12"	007008	3	\$211
P 1802C/2002C/2072C	14"	007009	2	\$232
P 2342C	16"	007010	2	\$271

D-19: VENT TERMINATION CAP ADAPTER (CATEGORY III & IV)

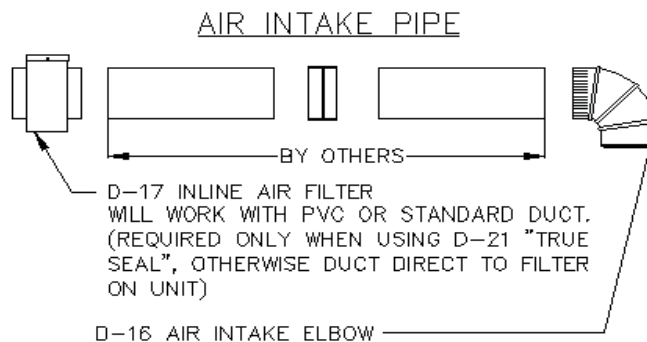
FOR USE WITH HEAT-FAB SAF-T VENT #AL294C SINGLE & DOUBLE WALL VENT

P 502C	6"	007015	2	\$82
P 652C/752C/902C	8"	007016	3	\$115
P 992C	10"	007017	2	\$190
P 1262C/1532C	12"	007018	6	\$197
P 1802C/2002C/2072C	14"	007019	3	\$227
P 2342C	16"	007020	2	\$249



NOTES:

1. ADAPTERS GOOD FOR SINGLE WALL OR DOUBLE WALL VENT.
2. CATEGORY III AND IV.



HI DELTA OPTIONS

PART SHIPPING LIST

COMMERCIAL

MODEL	DESCRIPTION	PART NUMBER	SHIPPING WEIGHT (LBS)	LIST PRICE
D-20: VENT TERMINATION CAP - VERTICAL (CATEGORY I)				
P 502C	6"	010802	6	\$154
P 652C/752C/902C	8"	010803	7	\$199
P 992C	10"	010804	8	\$276
P 1262C/1532C	12"	010805	9	\$320
P 1802C/2002C/2072C	14"	010806	10	\$469
P 2342C	16"	010807	15	\$554

D-21: TruSeal™ AIR INTAKE SYSTEM - Must also use D-17, Inline Air Filter

P 502C	LEFT SIDE	073768		\$532
P 502C	RIGHT SIDE	073769		\$532
P 652C-902C	LEFT SIDE	072412		\$532
P 652C-902C	RIGHT SIDE	072413		\$570
P 992C	LEFT SIDE	073331		\$808
P 992C	RIGHT SIDE	073332		\$808
P 1262C	LEFT SIDE	072501		\$808
P 1262C	RIGHT SIDE	072535		\$808
P 1532C-1802C	LEFT SIDE	072502		\$897
P 1532C-1802C	RIGHT SIDE	072536		\$897
P 2002C-2342C	RIGHT SIDE ONLY	072503		\$1,006

Notes:

1. Required to meet ANSI direct vent verification.
2. Must utilize Inline Air Intake Filter (D-17) if indoor unit.
3. Air intake is standard on the left side. Raypak will switch sides if you order right hand TruSeal.
4. See diagram on page 51.

E-5: ALARM CENTER

P 502C-2342C	4" BELL	072372		\$855
--------------	---------	--------	--	-------

F-10: LOW WATER CUTOFF - REMOTE TYPE

P 502C-2342C	MANUAL RESET			\$478
--------------	--------------	--	--	-------

G: CODE CONTROLS

G-1: CSD-1 CODE CONTROLS

P 502C-902C				\$1,004
P 992C-1262C				\$538
P 1532C-2342C				\$1,042

G-4: ILLINOIS SCHOOL CODE (BOCA)

P 502C-2342C				\$478
--------------	--	--	--	-------

G-7: NEW MEXICO CODE

P 502C-2342C				See G-1,
CSD-1				

G-9: KENTUCKY CODE CONTROLS

P 502C-2342C				COMPLIES
--------------	--	--	--	----------

G-12: CALIFORNIA CODE CONTROLS

P 302C-2342C				\$478
--------------	--	--	--	-------

Note: As of the 2004 Edition of CSD-1, ANSI Z21.56 pool heaters are specifically exempted from CSD-1. Not all states have adopted the 2004 revision.

HI DELTA OPTIONS

PART SHIPPING LIST

MODEL	DESCRIPTION	PART NUMBER	SHIPPING WEIGHT (LBS)	LIST PRICE
G-20: LOW GAS PRESSURE SUPPLY				
P 502C				\$356
P 652C				\$356
P 752C				\$356
P 902C				\$356
P 992C				\$356
P 1262C				\$463
P 1532C				\$463
P 1802C				\$463
P 2002/2072C				\$580
P 2342C				\$580
I-6: TEMPERATURE LIMITING CONTROL - MAX 100°F				
P 652C-2342C		006040		\$322
M-1: SAFETY VALVES, MOTORIZED				
P 502C-992C				\$1,804
P 1262C-2342C				\$1,955
M-10: SAFETY VALVES, SOLENOID				
P 502C-992C				\$986
P 1262C-2342C				\$1,132
S-1: GAS PRESSURE SWITCH - LOW				
P 502C-902C				\$457
P 992C-2342C				
STANDARD				
S-2: GAS PRESSURE SWITCH - HIGH				
P 502C-1262C				\$457
P 1532C-2342C	(Requires 2)			\$914

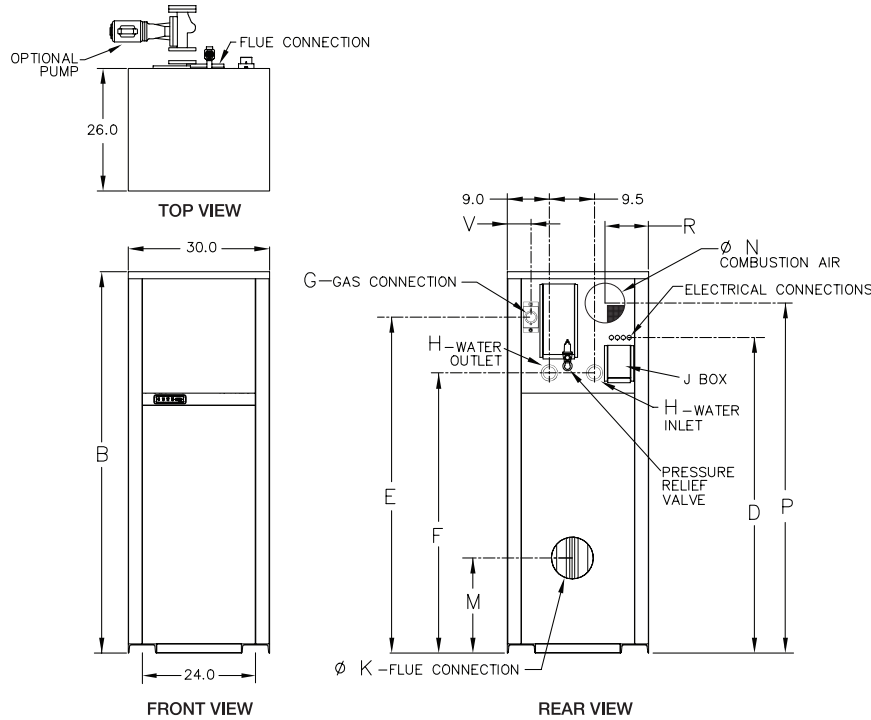
COMMERCIAL



MVB 504A-2004A

- Up to 85% efficiency
- Low NOx
- Compact footprint 5-1/2 FT2
- Fan-assisted combustion design
- Indoor/outdoor installation
- Touchscreen Display
- Cupro-nickel fin tubes
- Bronze headers
- Non-ferrous bypass assembly
- Bronze pump
- CAT I -if vented vertically

COMMERCIAL



* Shown without H-bypass

DIMENSIONS ARE IN INCHES.

Model	MBTUH		B	D	E	F	G NPT	H NPT	K Flue ø	M	N C/A ø	P	R	V	Foot Print Ft²	MVB Amp Draw	System Pump (included)		
	Input	Output															Model	HP	Amps
504A	500	420	43	32	35	23-3/4	1	2	8	14-1/8	6	35	6	2	5.4	12	1611	1/4	6
754A	750	630	49	38	41	29-3/4	1	2	10	16	6	41	6	2	5.4	12	1630	1/2	7
1104A	1045	880	55	44	47	35-3/4	1-1/4	2-1/2	10	16	6	47	6	2	5.4	12	1630	1/2	7
1504A	1425	1211	61	50	53	41-3/4	1-1/4	2-1/2	12	18-1/8	8	53	6	2	5.4	12	1634	1	14
2004A	1900	1615	75	62	65	53-3/4	2	2-1/2	14	20-1/8	8	68	9	5	5.4	18	1636	1-1/2	15

MODEL	GAS	ELEVATION (feet)	PART NUMBER	SHIPPING WEIGHT (LBS)	LIST PRICE
P 504A	Natural	0-4500	014371	600	\$21,267
P 754A	Natural	0-4500	014372	660	\$24,269
P 1104A	Natural	0-4500	014373	720	\$30,201
P 1504A	Natural	0-4500	014374	780	\$35,612
P 2004A	Natural	0-4500	014375	940	\$41,278
P 504A	Propane	0-4500	014376	600	\$21,267
P 754A	Propane	0-4500	014377	660	\$24,269
P 1104A	Propane	0-4500	014378	720	\$30,201
P 1504A	Propane	0-4500	014379	780	\$35,612
P 2004A	Propane	0-4500	014380	940	\$41,278

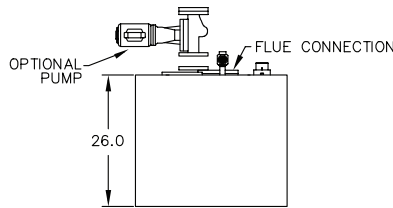
Note: List price does not include Vent Termination Cap or Air Filter.

MVB 504A-2004A COLD RUN

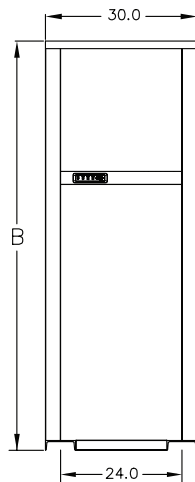
- Up to 85% efficiency
- Low NOx
- Compact footprint 5-1/2 FT2
- Fan-assisted combustion design
- Indoor/outdoor installation
- Touchscreen Display
- Cupro-nickel fin tubes
- Bronze headers
- Non-ferrous bypass assembly
- Bronze pump
- CAT I -if vented vertically



COMMERCIAL

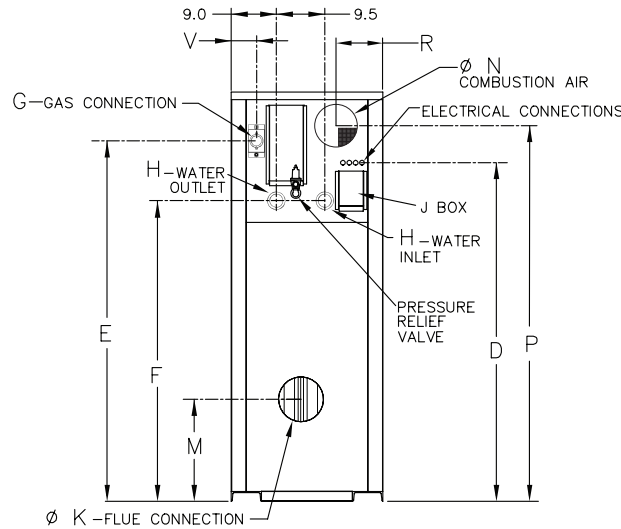


TOP VIEW



FRONT VIEW

Cold Run - Built in condensation protection. Variable speed pump automatically adjusts inlet water temp to prevent condensation.



REAR VIEW

Injector Pump (included)			
Model	Taco #	HP	Volts 3 phase
504A	1911	1/4	208/230
754A	1911	1/4	208/230
1104A	1911	1/3	208/230
1504A	1911	1/3	208/230
2004A	1935	3/4	208/230

* Shown without H-bypass
DIMENSIONS ARE IN INCHES.
Cold Run Controller requires two power inputs, 120VAC/1 Phase and 208/230 VAC 1 Phase.

Model	MBTUH		B	D	E	F	G NPT	H NPT	K Flue ø	M	N C/A ø	P	R	V	Foot Print Ft²	MVB Amp Draw	System Pump (included)		
	Input	Output															Taco #	HP	Amps
504A	500	420	43	32	35	23-3/4	1	2	8	14-1/8	6	35	6	2	5.4	12	1611	1/4	6
754A	750	630	49	38	41	29-3/4	1	2	10	16	6	41	6	2	5.4	12	1611	1/4	7
1104A	1045	880	55	44	47	35-3/4	1-1/4	2-1/2	10	16	6	47	6	2	5.4	12	1630	1/2	7
1504A	1425	1211	61	50	53	41-3/4	1-1/4	2-1/2	12	18-1/8	8	53	6	2	5.4	12	1634	1	14
2004A	1900	1615	75	62	65	53-3/4	2	2-1/2	14	20-1/8	8	68	9	5	5.4	18	1636	1-1/2	15

MODEL	GAS	ELEVATION (feet)	PART NUMBER	SHIPPING WEIGHT (LBS)	LIST PRICE
P 504A	Natural	0-4500	014381	750	\$24,547
P 754A	Natural	0-4500	014382	800	\$27,897
P 1104A	Natural	0-4500	014383	850	\$33,672
P 1504A	Natural	0-4500	014384	950	\$39,078
P 2004A	Natural	0-4500	014385	1050	\$45,150
P 504A	Propane	0-4500	014386	750	\$24,547
P 754A	Propane	0-4500	014387	800	\$27,897
P 1104A	Propane	0-4500	014388	850	\$33,672
P 1504A	Propane	0-4500	014389	950	\$39,078
P 2004A	Propane	0-4500	014390	1050	\$45,150

Note: List price does not include Vent Termination Cap or Air Filter.

For Parts See page 280

MVB OPTIONS

PART SHIPPING LIST

COMMERCIAL

MODEL	DESCRIPTION	PART NUMBER	SHIPPING WEIGHT (LBS)	LIST PRICE
C-6: LOCKOUT IGNITION MODULE - SINGLE TRY MANUAL RESET				
P 504A-2004A		076559		N/C
D-11: OUTDOOR TOP				
P 504A		011895	30	\$328
P 754A-1104A		012285	35	\$299
P 1504A		012286	15	\$346
P 2004A		012287	37	\$521
D-15: VENT TERMINATION CAP				
P 504A	8"	006646	13	\$199
P 754A-1104A	10"	006650	10	\$202
P 1504A	12"	007989	15	\$438
P 2004A	14"	007002	36	\$438
D-17: AIR INTAKE FILTER-PREMIUM				
P 504A-1104A	6"	012460	10	\$112
P 1504A-2004A	8"	012461	11	\$113
D-18: VENT ADAPTER (CATEGORY III & IV)				
P 504A		007006	2	\$115
P 754A-1104A		007007	3	\$175
P 1504A		007008	3	\$211
P 2004A		007009	2	\$232
D-19: VENT TERMINATION CAP (CATEGORY III & IV)				
P 504A		007016	3	\$115
P 754A-1104A		007017	4	\$190
P 1504A		007018	6	\$197
P 2004A		007019	3	\$228
D-20: VENT TERMINATION CAP - VERTICAL (CATEGORY I)				
P 504A	8"	010803	7	\$199
P 754A-1104A	10"	010804	8	\$276
P 1504A	12"	010805	8	\$320
P 2004A	14"	010806	10	\$469
D-23: FLUE SUPPORT BRACKETS				
P 504A-1104A		012185	15	\$181
P 1504A-2004A		012186	15	\$230
D-37: MOTORIZED DAMPER				
P 504A-P1104A		004711		\$340
P 1504A-P2004A		004936		\$672
E-5: ALARM CENTER				
P 504A-2004A	4" BELL MOUNTED			\$1,015
F-10: LOW WATER CUTOFF - REMOTE TYPE				
P 504A-2004A	MANUAL RESET			\$478

MVB OPTIONS

PART SHIPPING LIST

MODEL	DESCRIPTION	PART NUMBER	SHIPPING WEIGHT (LBS)	LIST PRICE
G: CODE CONTROLS -Consult local authorities for all code requirements				
G-1:	CSD-1/GE GAP	P 504A-2004A		\$551
G-2:	VENT VALVE COMBO	P 504A-754A		\$3,152
G-2:	VENT VALVE COMBO	P 1004A-1504A		\$3,298
G-2:	VENT VALVE COMBO	P 1754A-2004A		\$3,580
G-4:	ILLINOIS SCHOOL	P 504A-2004A		USE F-10
G-12:	CALIFORNIA CODE CONTROLS	P 504A-2004A		\$498
G-15:	CSD-1 - FOR FIELD UPGRADE	P 504A-2004A		\$623
I-6: TEMPERATURE LIMITING - Max 100°F				
P 504A-2004A	SHIPPED LOOSE	006040		\$322
M-1: SAFETY VALVES, MOTORIZED				
P 504A-754A				\$1,804
P 1104A-1504A				\$1,955
P 2004A				\$2,048
M-10: SAFETY VALVES, SOLENOID				
P 504A-754A				\$986
P 1104A-1504A				\$1,132
P 2004A				\$1,415
M-15: VENT VALVE				
P 504A-2004A				\$1,136
S-1: LOW GAS PRESSURE SWITCHES				
P 504A-2004A				\$288
S-2: HIGH GAS PRESSURE SWITCHES - MANUAL RESET				
P 504A-2004A				\$263
S-3: HIGH GAS PRESSURE SWITCHES - MANUAL RESET				
P 504A-2004A				\$781

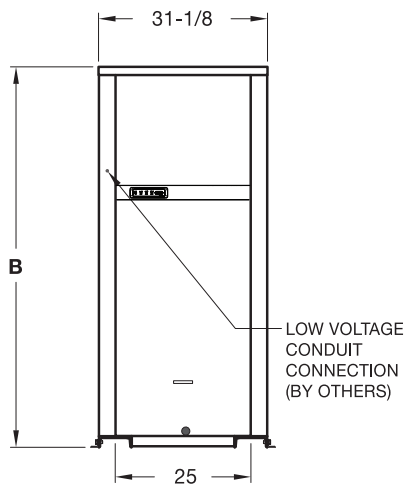
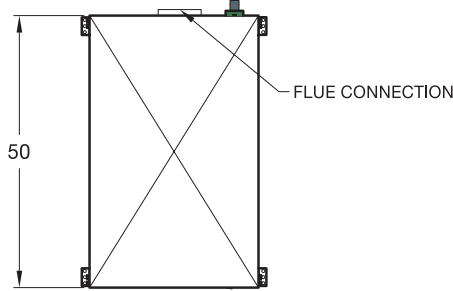
COMMERCIAL



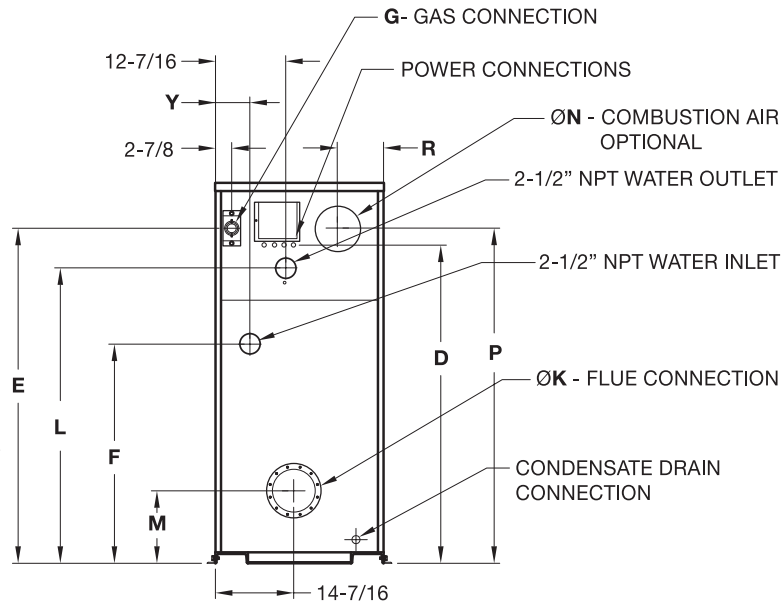
XTHERM 1005A-2005A

- 97% efficiency
- Low NOx
- Compact footprint >11 FT2
- Fan-assisted combustion design
- Indoor/outdoor installation
- Touchscreen Display
- Cupro-nickel fin tubes-primary
- Stainless Steel-secondary
- Bronze headers/CPVC Plumbing
- Built-in Cold Water Run
- Bronze pump
- CAT IV - venting

COMMERCIAL



Model (WHP-)	RATES OF FLOW (GPM)			
	Maximum Flow		Minimum Flow	
	GPM	DT (°F)	GPM	DT (°F)
1005A	113	17	47	40
1505A	113	25	71	40
2005A	116	33	95	40



Model	MBTUH		Dimensions (in.)												Amp Draw		Ship Wt. (Lbs.)
	Input	Output	B Height	D	E	F	G* NPT	K Flue ø	L	M	N C/A ø	P	R	Y	Heater	Pump	
1005A	999	969	55-1/8	45	47-1/8	36-1/2	1-1/4	6	40-1/16	11-1/2	6	47-1/8	8-1/16	6-1/16	12	10	1065
1505A	1500	1455	67-1/8	57	59-1/16	38-1/2	1-1/4	8	52-1/16	12-5/8	8	59-1/8	8-3/16	6-1/16	12	14	1234
2005A	1999	1939	81-1/8	71	71-3/16	38-1/2	2	8	64-1/16	12-5/8	8	73-1/8	8-3/16	6-1/4	18	17	1461

MODEL	GAS	ELEVATION (feet)	PART NUMBER	SHIPPING WEIGHT (LBS)	LIST PRICE
P 1005A	Natural	0-4500	014391	1065	\$45,954
P 1505A	Natural	0-4500	014392	1234	\$50,448
P 2005A	Natural	0-4500	014393	1461	\$62,014
P 1005A	Propane	0-4500	014394	1065	\$45,954
P 1505A	Propane	0-4500	014395	1234	\$50,448
P 2005A	Propane	0-4500	014396	1461	\$62,014

Note: List price does not include Vent Termination Cap or Well Assy.

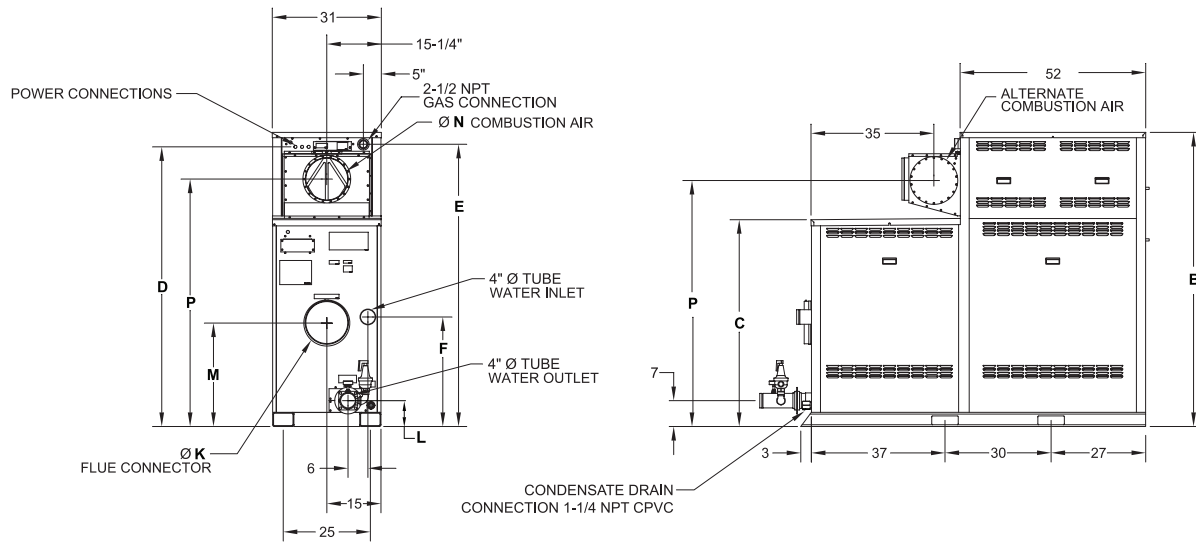
XTHERM 2505-4005

- 97% efficiency
- Low NOx
- Small footprint >21 FT2
- Fan-assisted combustion design
- Indoor/outdoor installation
- Touchscreen Display
- Cupro-nickel fin tubes-primary
- Stainless Steel-secondary
- Bronze headers
- Built-in Cold Water Run
- Bronze pump
- CAT IV - venting



COMMERCIAL

Sys Ret Temp (#F)	Model 2505 (30°F Delta T)				Model 3005 (30°F Delta T)				Model 3505 (32°F Delta T)			Model 4005 (33°F Delta T)		
	Supply Temp (#F)	Flow GPM	Pipe Max Eq Ft 4"		Supply Temp (#F)	Flow GPM	Pipe Max Eq Ft 4"		Supply Temp (#F)	Flow GPM	Pipe Max Eq Ft 4"	Supply Temp (#F)	Flow GPM	Pipe Max Eq Ft 4"
60	144	57	230	450	146	67	110	148	76	100	144	91	100	
80	144	75	230	450	146	87	110	148	99	100	144	120	100	
100	144	109	230	450	146	125	110	148	140	100	144	175	100	



REAR VIEW

SIDE VIEW

Model	MBTUH		Dimensions (in.)									Amp Draw		Ship Wt. (Lbs.)
	Input	Output	B Height	C	D	E	F	K Flue ø	M	N C/A ø	P	Heater	Pump	
2505	2501	2444	68-1/4	43-1/2	64-1/8	65	21-1/4	10	18-1/2	10	54-5/8	12	15	2656
3005	3000	2931	73-1/4	48-1/2	69-1/8	70	26-1/4	10	23-1/2	10	59-1/2	15	16	2775
3505	3500	3419	78-1/4	53-1/2	74	75	31-1/4	10	28-1/2	12	64-3/4	17	16	2925
4005	3999	3908	83-1/4	58-1/2	79	80	31	12	29-1/4	12	69-5/8	20	24	3058

MODEL	GAS	ELEVATION (feet)	PART NUMBER	SHIPPING WEIGHT (LBS)	LIST PRICE
P 2505	Natural	0-4500	015951	2656	\$87,691
P 3005	Natural	0-4500	015952	2775	\$95,394
P 3505	Natural	0-4500	015953	2925	\$106,371
P 4005	Natural	0-4500	015954	3058	\$117,882
P 2505	Propane	0-4500	015955	2656	\$87,691
P 3005	Propane	0-4500	015956	2775	\$95,394
P 3505	Propane	0-4500	015957	2925	\$106,371
P 4005	Propane	0-4500	015958	3058	\$117,882

Note: List price does not include Vent Termination Cap or Well Assy.

For Parts See page 305

XTHERM OPTIONS

PART SHIPPING LIST

COMMERCIAL

MODEL	DESCRIPTION	PART NUMBER	SHIPPING WEIGHT (LBS)	LIST PRICE
-------	-------------	-------------	-----------------------	------------

B-31: WELL ASSEMBLY

P 1005A-4005A	Loose and Separate	011932	1	\$32
---------------	--------------------	--------	---	------

Note: This well assembly can be used with the system sensor.

BAS/BMS Gateway Protocol Converter (Only Works with VERSA IC)

B-85	BACnet MS/TP, BACnet IP, Metasys N2 or Modbus TCP (Loose)	014691		\$2,001
B-86	LonWorks (Loose)	014692		\$2,001

B-36 / 38: TEMP-TRACKER MOD+ CONTROLLERS

B-36 P 1005A-4005	Up to four units	011922	6	\$2,755
B-37 P 1005A-4005	Up to ten units	011923	16	\$5,734
B-38 P 1005A-4005	Up to 16 units	011924	21	\$8,712

Note:

1. B-36 is the basic unit. B-37 is the basic unit plus one expansion module. B-38 is the basic unit plus two expansion modules.

2. B-36, 37 and 38 include two sensors and include lead/lag.

C-6: LOCKOUT IGNITION MODULE - SINGLE TRY MANUAL RESET

P 1005A-4005A	Mounted		1	N/C
---------------	---------	--	---	-----

Note: Three Try standard.

D-11: OUTDOOR VENT CAP

P 1005A		015785	22	\$264
P 1505A/2005A		015786	30	\$279
P 2505-3505		015278		\$537
P 4005		015279		\$625

D-15: SIDEWALL VENT TERMINATION CAP

P 1005A	6"	006644	6	\$174
P 1505A/2005A 8"		006646	13	\$199
P 2505-3505		006650		\$202
P 4005		007989		\$438

Note: Use for horizontal venting only.

D-18: BOILER FLUE ADAPTER, CAT III & IV

P 1005A		007005	6	\$101
P 1505A/2005A		007006	8	\$115
P 2505-4005				STANDARD

D-19: FLUE TERMINATION CAP ADAPTER

P 1005A		007015	2	\$82
P 1505A/2005A		007016	2	\$115
P 2505-3505		007017		\$190
P 4005		007018		\$197

D-23: FLUE SUPPORT BRACKETS (Outdoor Only)

P 1005A-3505		012185		\$181
P 4005		012186		\$230

XTHERM OPTIONS

PART SHIPPING LIST

MODEL	DESCRIPTION	PART NUMBER	SHIPPING WEIGHT (LBS)	LIST PRICE
D-32: PVC VENTING ADAPTOR (Factory Mounted Only)				
P 1005A		075321		\$651
P 1505A/2005A		075322		\$673
P 2505-4005				N/A
D-33: POLYPROPYLENE VENTING ADAPTOR (Includes 2 plus Vent Limit)				
P 1005A	6"	013736		\$353
P 1505A/2005A	8"	013737		\$360
P 2505-3505		015762		\$365
P 4005		015761		\$632
D-37: MOTORIZED DAMPER				
P 1005A	6"	004711		\$340
P 1505A/2005A	8"	004936		\$672
P 2505-3505	10"	012687		\$800
E-5: ALARM CENTER				
P 1005A-4005	4" BELL MOUNTED			\$1,015
F-10: LOW WATER CUTOFF - REMOTE TYPE				
P 1005A-2005A	MANUAL RESET	073547		\$478
P 2505-4005	MANUAL RESET			\$478
Note: Manual Reset, Test Button, Test Indicator Light on Circuit Board.				
G: CODE CONTROLS -Consult local authorities for all code requirements				
G-1: CSD-1/GE GAP		P 1005A-2005A		\$551
G-1: CSD-1/GE GAP		P 2505-4005		\$288
G-2: VENT VALVE COMBO		P 1005A/1505A		\$3,537
G-2: VENT VALVE COMBO		P 2005A		\$3,820
G-2: VENT VALVE COMBO		P 2505-4005		\$4,291
G-4: ILLINOIS SCHOOL		P 1005A-4005		USE F-10
G-8: WASHINGTON STATE CODE CONTROLS		P 1005A-4005		\$478
G-12: CALIFORNIA CODE CONTROLS		P 1005A-4005		\$478
G-15: CSD-1 FIELD UPGRADE		P 1005A-4005		\$551
G-15: CSD-1 FIELD UPGRADE		P 2505-4005		\$288
M-1: SAFETY VALVES, MOTORIZED MOUNTED				
P 1005A-1505A				\$1,955
P 2005A				\$2,048
P 2505-4005				\$2,332
M-10: SAFETY VALVES, SOLENOID MOUNTED				
P 1005A/1505A				\$1,132
P 2005A				\$1,415
P 2505-4005				\$1,886
M-15: VENT VALVE				
P 1005A-2005A				\$1,136
P 2505-4005				\$1,376

Note: Must use M1 or M10 with this option.

COMMERCIAL

XTHERM OPTIONS

PART SHIPPING LIST

COMMERCIAL

MODEL	DESCRIPTION	PART NUMBER	SHIPPING WEIGHT (LBS)	LIST PRICE
S-1: LOW GAS PRESSURE SWITCHES				\$288
S-2: HIGH GAS PRESSURE SWITCHES				\$263
S-3: LOW WATER PRESSURE SWITCHES				\$781
Z-9: THERMOMETER				
	BRASS 1/2" VERTICAL	067538		\$99
Z-12: CONDENSATE NEUTRALIZER				
P 1005A		012050		\$419
P 1505A/2005A		012051		\$507
P 2505-4005		015206		\$537

This page intentionally left blank.

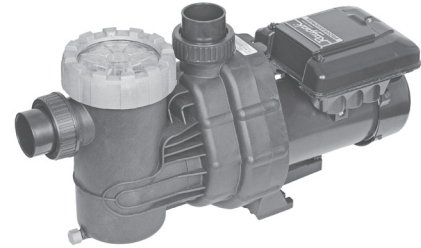
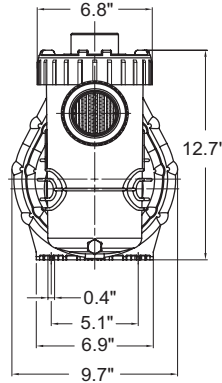
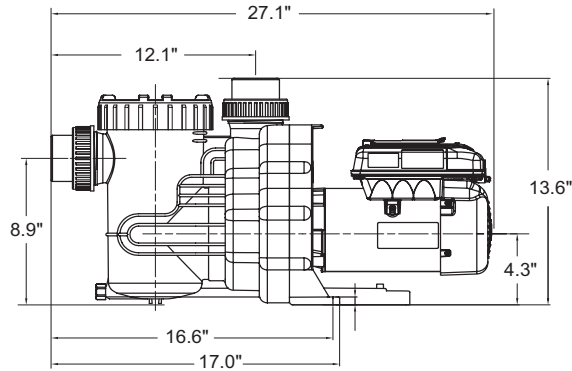
SECTION 3

PUMPS

PROFESSIONAL POOL PUMP, PS165VSP	63
PROFESSIONAL POOL PUMP, PS270VSP	64

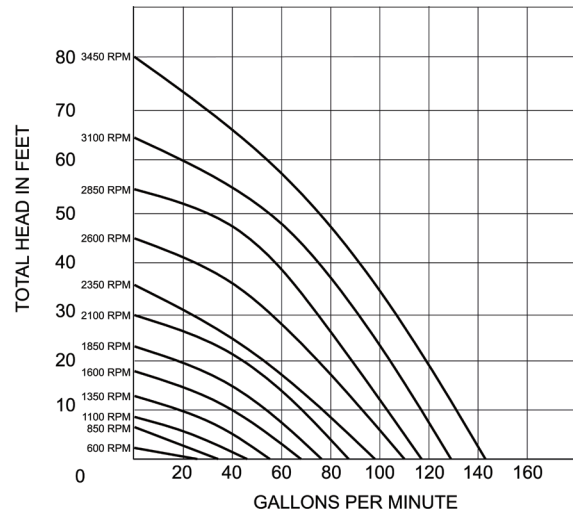
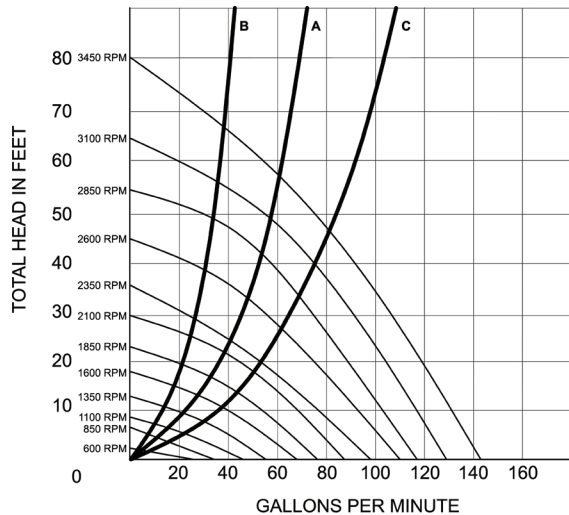
PROFESSIONAL POOL PUMP, PS165VSP

- 2" PVC water connections
- 208-230V
- Remote compatible
- 3 program modes
- Built-in freeze protection
- Override function
- White strainer basket
- 12 speeds
- 24 hour timer
- Optional remote



PUMPS

Model	THP	Volts	Amps	Water Connection	Shipping Weights (lbs)
PS165VSP	1.65	208-230	11.0	2"	41



B, A, and C represent average system curves for pools with the pipe diameter mentioned below.

- B = 1 1/2" Pipe
- A = 2" Pipe
- C = 2 1/2" Pipe

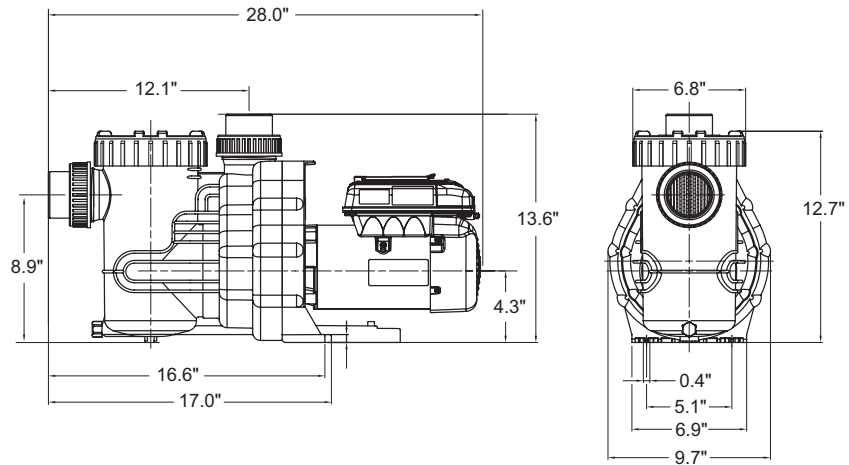
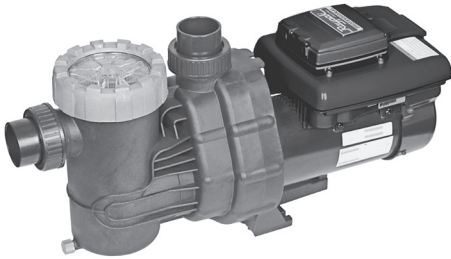
RPM	MAX POWER CONSUMPTION
3450	1500W
3100	1180W
2850	930W
2600	720W
2350	540W
2100	400W
1850	280W
1600	190W
1350	125W
1100	75W
850	45W
600	25W

MODEL	DESCRIPTION	ELEVATION (feet)	PART NUMBER	SHIPPING WT (LBS)	LIST PRICE
PS165VSP	Pump Pool		951474	41	\$1,421
PS165VSP-RM	Control-Pump Remote		602131		\$228

For Parts See page 313

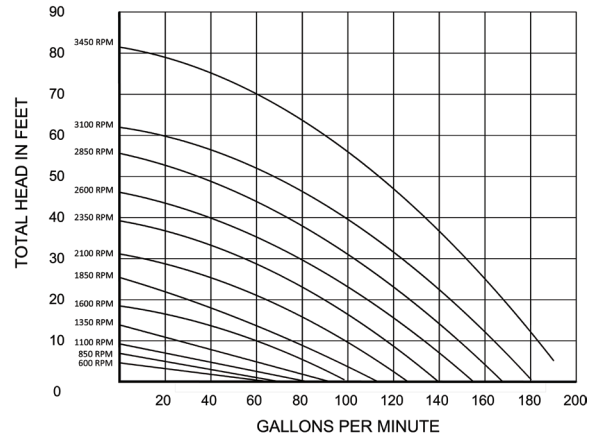
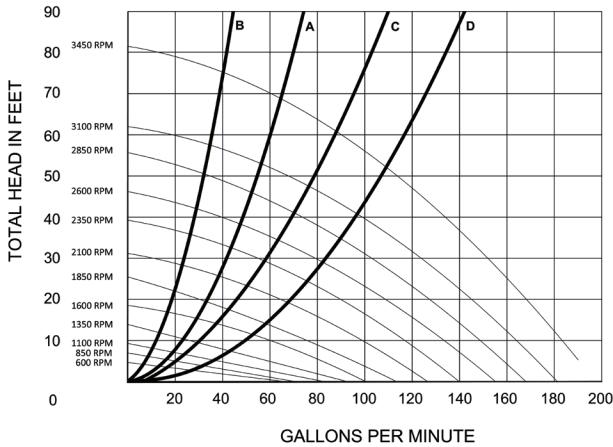
PROFESSIONAL POOL PUMP, PS270VSP

- 2" PVC water connections
- 208-230V
- Remote compatible
- 3 program modes
- Override function
- Built-in real time clock
- 12 speeds
- Control can be remotely mounted
- LCD display, diagnostics
- Built-in freeze protection



PUMPS

Model	THP	Volts	Amps	Water Connection	Shipping Weights (lbs)
PS270VSP	2.70	208-230	10.5	2"	52



B, A, C, and D represent average system curves for pools with the pipe diameter mentioned below.

- B = 1 1/2" Pipe
- A = 2" Pipe
- C = 2 1/2" Pipe
- D = 3" Pipe

RPM	MAX POWER CONSUMPTION
3450	2400W
3100	1780W
2850	1400W
2600	1075W
2350	800W
2100	590W
1850	420W
1600	290W
1350	190W
1100	120W
850	70W
600	40W

MODEL	DESCRIPTION	ELEVATION (feet)	PART NUMBER	SHIPPING WEIGHT (LBS)	LIST PRICE
PS270VSP	Pump Pool		951475	52	\$2,187