

APPROVED

RAYPAK ILLUSTRATED PARTS LIST

THE PARTS LISTED ARE FOR STANDARD EQUIPMENT FOR THIS MODEL TYPE. RAYPAK RESERVES THE RIGHT TO SUBSTITUTE, DELETE OR CHANGE ANY PART WITHOUT NOTIFICATION. THE ADDITION OF OPTIONS MAY ALSO CHANGE SOME OF THE PARTS. ORDER REPLACEMENT PARTS FROM ACTUAL HEATER COMPONENTS.

MODEL SIZE: 5350, 6350, 8350 & 8360

MODEL TYPE: HEAT PUMP POOL HEATER

DATES OF MANUFACTURE: 11-1-09 THRU CURRENT

1-1-12 THRU CURRENT - WEATHERKING MODEL W6350

9-1-12 THRU CURRENT - RUUD PRODUCTS

12-1-13 THRU CURRENT - WEATHERKING MODEL W8360

2-1-14 THRU CURRENT - QT MODELS 5350-6350

11-1-09 THRU 1-21-17 - MODELS 5350-8350 CLASSIC SERIES



FOR DETAILED INSTRUCTIONS, SEE "HOW TO USE YOUR RAYPAK ILLUSTRATED PARTS LIST", CATALOG NO. 9001.10

Raypak[®]
A Rheem[®] Company

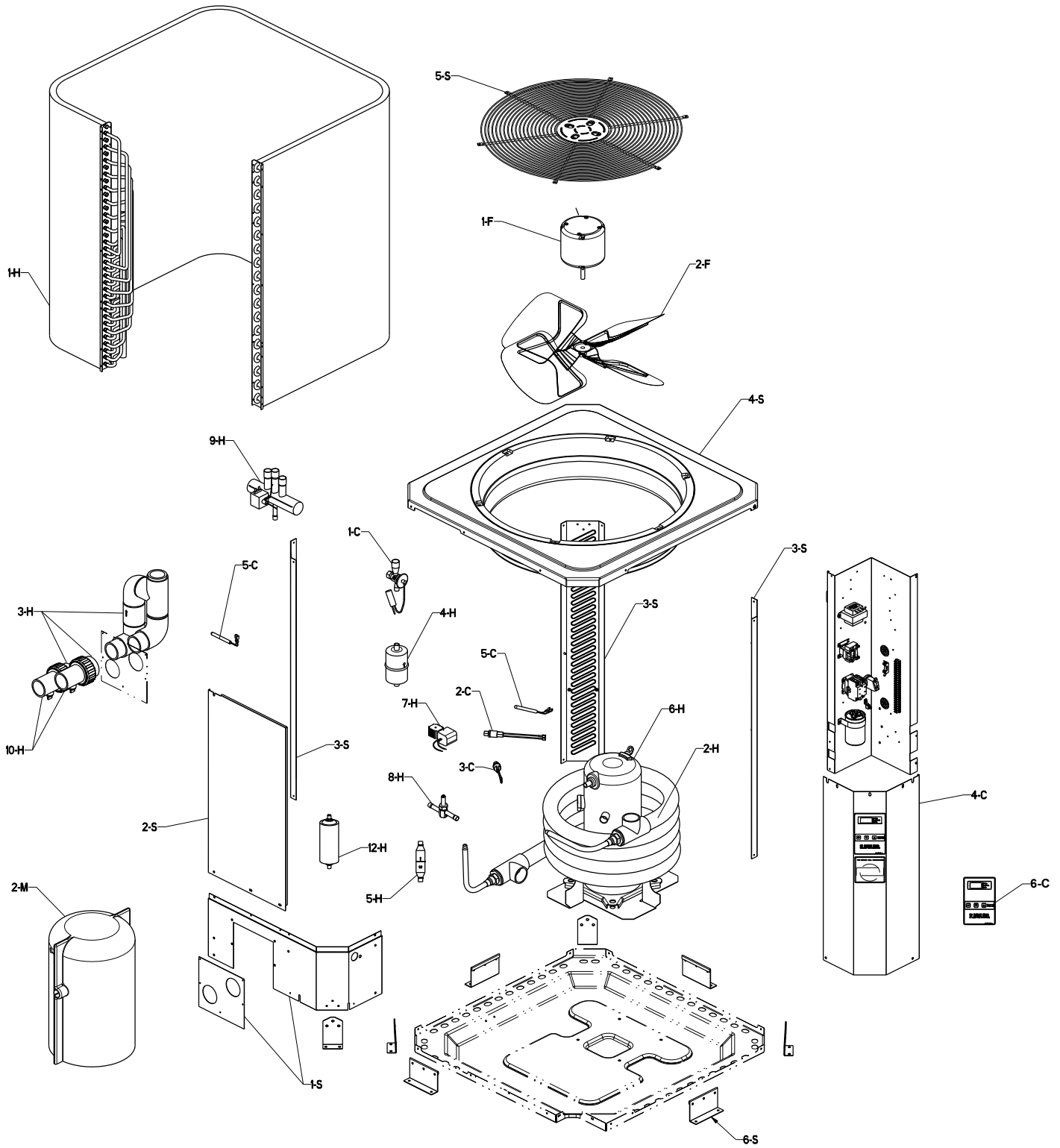
Effective: 02-11-22

Replaces: 02-19-21

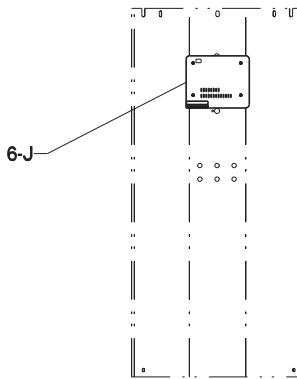
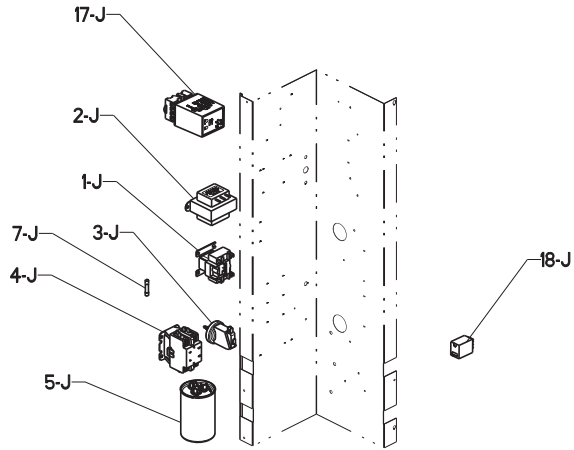
P/N: 241944 Rev. 2

UNCONTROLLED DOCUMENT IF PRINTED

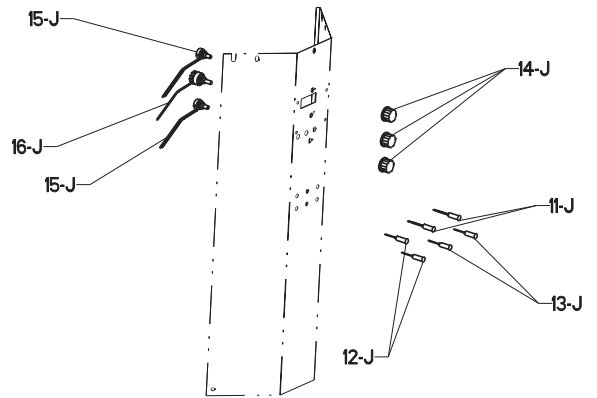
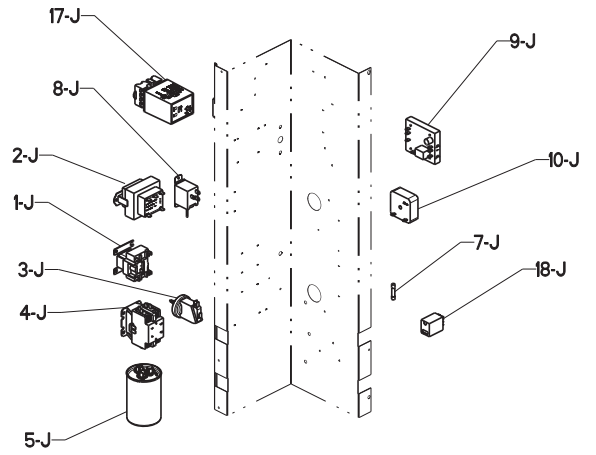
APPROVED



UNCONTROLLED DOCUMENT IF PRINTED



DIGITAL



ANALOG

APPROVED

| CALLOUT | DESCRIPTION | RAYPAK / RUUD | | | PERFECTEMP | | | WEATHERKING | |
|----------|------------------------------------------------------------------------------------------------------------------------|--------------------|-------------------------------|-------------------------------|-------------------------------|-------------------------------|-------------------------------|-------------|---------|
| | | R5350 | R6350 | R8350 | P5350 | P6350 | P8350 | W6350 | W8360 |
| | | D5350 | D6350 | D8350 | | | | | |
| C | CONTROLS | | | | | | | | |
| 1-C | TX Valve Heat Heat/Cool Power Defrost | H000076 | H000173 H000076 H000173 | H000077 H000173 | H000076 H000173 H000173 | H000173 H000076 H000173 | H000077 H000173 | H000173 | H000077 |
| 2-C | Low Pressure Switch | H000078 | H000078 | H000078 | H000078 | H000078 | H000078 | H000078 | H000078 |
| 3-C | High Pressure Switch | H000079 | H000079 | H000079 | H000079 | H000079 | H000079 | H000079 | H000079 |
| 4-C | Control Cover Digital (Shown) (Includes 6-C) Green Chicory Warm Dark Gray Stainless Steel | H000052 | H000052 | H000052 | | | | | |
| | Control Cover Analog Green Chicory Warm Dark Gray | H000222 H000224 | H000222 H000224 | H000222 H000224 | H000099 H000222 | H000099 H000222 | H000099 H000222 | H000290 | H000301 |
| 6-C | Control Label Analog Digital | N/A H000330 | N/A H000330 | N/A H000330 | N/A H000225 | N/A H000225 | N/A H000225 | N/A | N/A |
| 5-C | Temperature Sensor 10K | H000002 | H000002 | H000002 | H000002 | H000002 | H000002 | H000002 | H000002 |
| H | HEAT TRANSFER | | | | | | | | |
| 1-H | Evaporator Coil | H000016 | H000018 | H000020 | H000016 | H000018 | H000020 | H000018 | N/A |
| 2-H | Heat Exchanger | H000022 | H000022 | H000024 | H000022 | H000022 | H000024 | H000022 | H000024 |
| 3-H | Bypass Assembly | H000042 | H000042 | H000042 | H000042 | H000042 | H000042 | H000042 | H000042 |
| 10-H | PVC Union | N/A | N/A | N/A | N/A | N/A | N/A | N/A | N/A |
| | PVC Union with Built-In Drain | H000317 | H000317 | H000317 | H000317 | H000317 | H000317 | H000317 | H000317 |
| 4-H | Liquid Line Drier Heat Heat/Cool (Bi-Flow) | H000011 | H000011 H000004 | H000011 H000004 | H000011 | H000011 H000004 | H000011 H000004 | H000011 | H000011 |
| 5-H | Check Valve | | | H000006 | | | H000006 | | |
| 6-H | Compressor 1 PH 3 PH 3 PH 460V | H000010 | H000012 H000171 | H000014 H000110 H000109 | H000010 | H000012 H000171 | H000014 H000110 H000109 | H000012 | H000014 |
| 11-H | Compressor Power Plug (Not Shown) | H000271 | H000271 | H000271 | H000271 | H000271 | H000271 | H000271 | H000271 |
| 7-H | Solenoid Coil Power Defrost | | H000107 | | | H000107 | | | |
| 8-H | Solenoid Valve Power Defrost | | H000108 | | | H000108 | | | |
| 9-H | Reversing Valve Heat/Cool | | H000136 | H000136 | | H000136 | H000136 | | |
| 12-H | Receiver Power Defrost | | H000246 | | | H000246 | | | |
| F | FAN | | | | | | | | |
| 1-F | Fan Motor (825 RPM) Fan Motor (825 RPM) w/Heat Sink (Heat/Cool) Fan Motor (1065 RPM) 1PH/3PH 230V 3PH 460V | H000296 | H000296 H000298 | H000296 H000298 | H000296 | H000296 H000298 | H000296 H000298 | H000296 | H000296 |
| | | H000084 | H000084 | H000084 H000115 | H000084 | H000084 H000115 | H000084 H000115 | H000084 | |
| 2-F | Fan Blade (4-Blade) Fan Blade (3-Blade) (Not Shown) 1PH/3PH 230V (Includes 1-F, 5-J & 4 blade F 3PH 460V | H000297 | H000297 | H000297 | H000297 | H000297 | H000297 | H000297 | H000297 |
| | | H000342 | H000342 | H000343 H000116 | H000342 | H000342 H000116 | H000343 H000116 | H000342 | |

APPROVED

| CALLOUT | DESCRIPTION | RAYPAK / RUUD | | | PERFECTEMP | | | WEATHERKING | |
|----------|-------------------------------------------|---------------|---------|---------|------------|---------|---------|-------------|---------|
| | | R5350 | R6350 | R8350 | P5350 | P6350 | P8350 | W6350 | W8360 |
| | | D5350 | D6350 | D8350 | | | | | |
| J | CONTROL BOX | | | | | | | | |
| 1-J | Fan Relay | | | | | | | | |
| | SPST (Units manufactured prior to 4/1/13) | H000017 | H000017 | H000017 | H000017 | H000017 | H000017 | H000017 | |
| | DPST (Units manufactured From 4/1/13) | H000299 | H000299 | H000299 | H000299 | H000299 | H000299 | H000299 | H000299 |
| 2-J | Transformer | | | | | | | | |
| | Digital | H000021 | H000021 | H000021 | H000021 | H000021 | H000021 | H000021 | H000021 |
| | Digital 3 PH | | H000021 | H000021 | | H000021 | H000021 | | |
| | Analog | H000023 | H000023 | H000023 | H000023 | H000023 | H000023 | | |
| | Analog 3 PH | | | H000023 | | | H000023 | | |
| | Analog 3 PH 460V | | | H000112 | | | H000112 | | |
| 3-J | Water Pressure Switch | H000025 | H000025 | H000025 | H000025 | H000025 | H000025 | H000025 | H000025 |
| 4-J | Contactora | | | | | | | | |
| | 1 PH | H000043 | H000043 | H000043 | H000043 | H000043 | H000043 | H000043 | |
| | 3 PH | | H000114 | H000114 | | H000114 | H000114 | | |
| 5-J | Capacitor | | | | | | | | |
| | 1 PH | | | | | | | | |
| | (Units manufactured prior to 4/1/13) | H000080 | H000080 | H000081 | H000080 | H000080 | H000081 | H000080 | |
| | (Units manufactured From 4/1/13) | H000127 | H000127 | H000051 | H000127 | H000127 | H000051 | H000127 | H000051 |
| | 3 PH | | | | | | | | |
| | (Units manufactured prior to 4/1/13) | | H000117 | H000117 | | H000117 | H000117 | | |
| | (Units manufactured From 4/1/13) | | H000265 | H000265 | | H000265 | H000265 | | |
| | 3 PH 460V | | | | | | | | |
| | (Units manufactured prior to 4/1/13) | | | H000113 | | | H000113 | | |
| | (Units manufactured From 4/1/13) | | | H000265 | | | H000265 | | |
| 6-J | Control Board Digital | H000029 | H000029 | H000029 | H000029 | H000029 | H000029 | H000029 | H000029 |
| 7-J | Fuse | H000001 | H000001 | H000001 | H000001 | H000001 | H000001 | H000001 | H000001 |
| 8-J | Defrost Control Switch | H000065 | H000065 | H000065 | H000065 | H000065 | H000065 | H000065 | |
| 9-J | Control Board | H000035 | H000035 | H000035 | H000035 | H000035 | H000035 | H000035 | |
| 10-J | Delay on Break Timer | H000019 | H000019 | H000019 | H000019 | H000019 | H000019 | H000019 | |
| 11-J | Green LED | H000037 | H000037 | H000037 | H000037 | H000037 | H000037 | H000037 | |
| 12-J | Amber LED | H000039 | H000039 | H000039 | H000039 | H000039 | H000039 | H000039 | |
| 13-J | Red LED | H000041 | H000041 | H000041 | H000041 | H000041 | H000041 | H000041 | |
| 14-J | Knob | H000008 | H000008 | H000008 | H000008 | H000008 | H000008 | H000008 | |
| 15-J | Potentiometer | H000405 | H000405 | H000405 | H000405 | H000405 | H000405 | H000405 | |
| 16-J | Rotary Switch | H000405 | H000405 | H000405 | H000405 | H000405 | H000405 | H000405 | |
| 17-J | Monitor | | | | | | | | |
| | Line Voltage 1 PH | H000291 | H000291 | H000291 | H000291 | H000291 | H000291 | H000291 | |
| | 3 Phase | | H000111 | H000111 | | | H000111 | H000111 | |
| 18-J | Controller Relay | | H000003 | H000003 | | H000003 | H000003 | H000003 | H000003 |

APPROVED

| CALLOUT | DESCRIPTION | RAYPAK / RUUD | | | PERFECTEMP | | | WEATHERKING | |
|----------|---------------------------------------------------------------------------------|-------------------------------|-------------------------------|-------------------------------|--------------------|--------------------|--------------------|-------------|---------|
| | | R5350 | R6350 | R8350 | P5350 | P6350 | P8350 | W6350 | W8360 |
| | | D5350 | D6350 | D8350 | | | | | |
| M | MISCELLANEOUS | | | | | | | | |
| 1-M | Touch-up Paint Green Chicory Warm Dark Gray | 750125 750258 | 750125 750258 | 750125 750258 | 750250 750258 | 750250 750258 | 750250 750258 | 750258 | 750258 |
| 2-M | Compressor Sound Cover | H000316 | H000316 | H000316 | | | | | |
| S | SHEETMETAL | | | | | | | | |
| 1-S | Electrical Input Panel Green Chicory Warm Dark Gray Stainless Steel | H000026 H000201 H000203 | H000028 H000202 H000204 | H000028 H000202 H000204 | H000056 H000201 | H000058 H000202 | H000058 H000202 | H000202 | H000202 |
| 2-S | Access Panel Green Chicory Warm Dark Gray Stainless Steel | H000030 H000205 H000206 | H000030 H000205 H000206 | H000030 H000205 H000206 | H000060 H000205 | H000060 H000205 | H000060 H000205 | H000205 | H000308 |
| 3-S | Corner Jacket Panel Green Chicory Warm Dark Gray Stainless Steel | H000032 H000231 H000216 | H000034 H000232 H000217 | H000034 H000232 H000217 | H000062 H000231 | H000064 H000232 | H000064 H000232 | H000232 | H000309 |
| 4-S | Jacket Top Green Chicory Warm Dark Gray Stainless Steel | H000036 H000211 H000209 | H000036 H000211 H000209 | H000036 H000211 H000209 | H000066 H000211 | H000066 H000211 | H000066 H000211 | H000211 | H000211 |
| 5-S | Grille Fan Guard | H000040 | H000040 | H000040 | H000040 | H000040 | H000040 | H000040 | H000040 |
| 6-S | Hurricane Bracket Metal Cabinet Base Plastic Cabinet Base | H000321 H000322 | H000321 H000322 | H000321 H000322 | H000321 | H000321 | H000321 | H000321 | H000321 |

* NOTE: R-410 A components not compatible with R22 units.

APPROVED



Raypak, Inc. 2151 Eastman Avenue, Oxnard, CA 93030 (805) 278-5300 www.raypak.com

Litho in U.S.A

UNCONTROLLED DOCUMENT IF PRINTED