



Featuring  
Industry Standard  
R-410A Refrigerant

**R-410A**



## 13 SEER CONDENSING UNITS

### Features

- Painted louvered steel cabinet
- Easily accessible control box
- Condenser coils constructed with copper tubing and enhanced aluminum fins
- Grille/Motor mount for quiet fan operation
- Filter Drier (shipped – not installed)

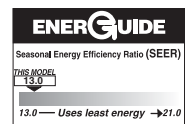
### Applications

Outdoor condensing unit designed for ground level or rooftop installations. These units offer comfort and dependability for single, multi-family and light commercial applications.

### Accessories

- Low Pressure Control (RXAC-A07)
- High Pressure Control (RXAB-A07)
- Low Ambient Control (RXAD-A08)
- Compressor Time Delay Control
- Crankcase Heater
- Sound Enclosure

## 13A\*N SERIES



# Model Number Identification

<b>13</b>	<b>A</b>	<b>*</b>	<b>N</b>	<b>18</b>	<b>A</b>	<b>01</b>
13 SEER	A = AIR CONDITIONER	VOLTAGE	DESIGN SERIES	NOMINAL COOLING CAPACITY	CABINET	RHEEM VALUE SERIES
		J = 208-230 SINGLE PHASE	N = 3RD DESIGN R-410A	18 = 18,000 BTU/HR [5.28 kW] 24 = 24,000 BTU/HR [7.03 kW] 30 = 30,000 BTU/HR [8.79 kW] 36 = 36,000 BTU/HR [10.55 kW] 42 = 42,000 BTU/HR [12.31 kW] 48 = 48,000 BTU/HR [14.07 kW] 60 = 60,000 BTU/HR [17.58 kW]	A = FULL METAL JACKET	
		C = 200/230V-3-60 D = 460V-3-60 Y = 575V-3-60				

## Performance Data @ AHRI Standard Conditions—Cooling

Model Numbers		80°F [26.5°C] DB/67°F [19.5°C] WB Indoor Air 95°F [35°C] DB Outdoor Air					Sound Rating dB	Indoor CFM [L/s]
Outdoor Unit 13A*N	Indoor Coil and/or Air Handler	Total Capacity BTU/H [kW]	Net Sensible BTU/H [kW]	Net Latent BTU/H [kW]	EER	SEER		
Rev. 8/29/11	RCFL-H*2417+RXMD-C04 ①	17,500 [5.1]	13,000 [3.8]	4,500 [1.3]	11.00	13.00	72	600 [283]
	RHAL-FR18P	17,900 [5.2]	14,300 [4.2]	3,600 [1.1]	11.00	13.00	72	600 [283]
	RHBL-FR24T	17,900 [5.2]	14,300 [4.2]	3,600 [1.1]	11.50	14.00	72	600 [283]
	RCFL-A*2414+RXMD-C04	17,500 [5.1]	13,000 [3.8]	4,500 [1.3]	11.00	13.00	72	600 [283]
	RCFL-A*2417(RGFE-06?MCK?)	18,000 [5.3]	13,400 [3.9]	4,600 [1.3]	12.00	14.50	72	575 [271]
	RCFL-A*2417(RGFE-07?MCK?)	18,000 [5.3]	13,400 [3.9]	4,600 [1.3]	12.00	14.50	72	600 [283]
	RCFL-A*2417(RGFG-06?MCK?)	18,000 [5.3]	13,400 [3.9]	4,600 [1.3]	12.00	14.50	72	575 [271]
	RCFL-A*2417(RGFG-07?MCK?)	18,000 [5.3]	13,300 [3.9]	4,700 [1.4]	12.00	14.50	72	600 [283]
	RCFL-A*2417(RGGE-06?MCK?)	18,000 [5.3]	13,400 [3.9]	4,600 [1.3]	12.00	14.50	72	625 [295]
	RCFL-A*2417(RGGE-07?MCK?)	18,000 [5.3]	13,400 [3.9]	4,600 [1.3]	12.00	14.50	72	575 [271]
	RCFL-A*2417(RGJF-06?MCK?)	18,000 [5.3]	13,400 [3.9]	4,600 [1.3]	12.00	14.50	72	625 [295]
	RCFL-A*2417(RGLE-07?AMK?)	18,000 [5.3]	13,400 [3.9]	4,600 [1.3]	12.50	15.00	72	600 [283]
	RCFL-A*2417(RGLT-07?AMK?)	18,400 [5.4]	13,900 [4.1]	4,500 [1.3]	12.00	14.50	72	675 [319]
	RCFL-A*2417(RGPE-05?BMK?)	18,000 [5.3]	13,400 [3.9]	4,600 [1.3]	12.00	14.50	72	575 [271]
	RCFL-A*2417(RGPE-07?AMK?)	18,000 [5.3]	13,400 [3.9]	4,600 [1.3]	12.00	14.50	72	625 [295]
	18 (13AJN)	RCFL-A*2417(RGPR-05?BMK?)	17,900 [5.2]	13,300 [3.9]	4,600 [1.3]	12.00	14.50	72
RCFL-A*2417(RGPT-05?BMK?)		18,200 [5.3]	13,700 [4.0]	4,500 [1.3]	12.00	14.50	72	650 [307]
RCFL-A*2417(RGPT-07?AMK?)		18,000 [5.3]	13,400 [3.9]	4,600 [1.3]	12.00	14.50	72	625 [295]
RCFL-A*2417(RGRM-04?MAE?)		17,900 [5.2]	13,300 [3.9]	4,600 [1.3]	12.00	14.50	72	575 [271]
RCFL-A*2417(RGRM-06?MAE?)		18,000 [5.3]	13,300 [3.9]	4,700 [1.4]	12.00	14.50	72	600 [283]
RCFL-A*2417(RGRM-07?MAE?)		17,900 [5.2]	13,300 [3.9]	4,600 [1.3]	11.50	14.00	72	625 [295]
RCFL-A*2417(RGTM-06?MAE?)		17,900 [5.2]	13,300 [3.9]	4,600 [1.3]	12.00	14.50	72	625 [295]
RCFL-A*2417(ROCA-070E03)		18,000 [5.3]	13,400 [3.9]	4,600 [1.3]	12.00	14.50	72	600 [283]
RCFL-A*2417(ROLA-070E03)		17,900 [5.2]	13,300 [3.9]	4,600 [1.3]	12.00	14.50	72	600 [283]
RCFL-A*2417+RXMD-C04		17,500 [5.1]	13,000 [3.8]	4,500 [1.3]	11.00	13.00	72	600 [283]
RCFL-H*2414+RXMD-C04		17,500 [5.1]	13,000 [3.8]	4,500 [1.3]	11.00	13.00	72	600 [283]
RCFL-H*2417(RGFE-06?MCK?)		18,000 [5.3]	13,400 [3.9]	4,600 [1.3]	12.00	14.50	72	575 [271]
RCFL-H*2417(RGFE-07?MCK?)		18,000 [5.3]	13,400 [3.9]	4,600 [1.3]	12.00	14.50	72	600 [283]
RCFL-H*2417(RGFG-06?MCK?)		18,000 [5.3]	13,400 [3.9]	4,600 [1.3]	12.00	14.50	72	575 [271]
RCFL-H*2417(RGFG-07?MCK?)		18,100 [5.3]	13,400 [3.9]	4,700 [1.4]	12.00	14.50	72	600 [283]
RCFL-H*2417(RGGE-06?MCK?)		18,000 [5.3]	13,400 [3.9]	4,600 [1.3]	12.00	14.50	72	625 [295]
RCFL-H*2417(RGGE-07?MCK?)		18,000 [5.3]	13,400 [3.9]	4,600 [1.3]	12.00	14.50	72	575 [271]
RCFL-H*2417(RGJF-06?MCK?)		18,000 [5.3]	13,400 [3.9]	4,600 [1.3]	12.00	14.50	72	625 [295]
RCFL-H*2417(RGJF-07?MCK?)		18,000 [5.3]	13,400 [3.9]	4,600 [1.3]	12.00	14.50	72	575 [271]
RCFL-H*2417(RGLE-07?AMK?)		18,000 [5.3]	13,400 [3.9]	4,600 [1.3]	12.00	14.50	72	600 [283]
RCFL-H*2417(RGLT-07?AMK?)		18,400 [5.4]	13,900 [4.1]	4,500 [1.3]	12.00	14.50	72	675 [319]
RCFL-H*2417(RGPE-05?BMK?)		18,000 [5.3]	13,400 [3.9]	4,600 [1.3]	12.00	14.50	72	575 [271]
RCFL-H*2417(RGPE-07?AMK?)		18,000 [5.3]	13,400 [3.9]	4,600 [1.3]	12.00	14.50	72	625 [295]
RCFL-H*2417(RGPR-05?BMK?)		17,900 [5.2]	13,300 [3.9]	4,600 [1.3]	12.00	14.50	72	600 [283]
RCFL-H*2417(RGPT-05?BMK?)	18,200 [5.3]	13,700 [4.0]	4,500 [1.3]	12.00	14.50	72	650 [307]	
RCFL-H*2417(RGPT-07?AMK?)	18,000 [5.3]	13,400 [3.9]	4,600 [1.3]	12.00	14.50	72	625 [295]	
RCFL-H*2417(RGRM-04?MAE?)	17,900 [5.2]	13,300 [3.9]	4,600 [1.3]	12.00	14.50	72	575 [271]	

① Highest sales volume tested combination required by D.O.E. test procedures.

[ ] Designates Metric Conversions

# Performance Data @ AHRI Standard Conditions—Cooling (con't.)

Model Numbers		80°F [26.5°C] DB/67°F [19.5°C] WB Indoor Air 95°F [35°C] DB Outdoor Air					Sound Rating dB	Indoor CFM [L/s]
Outdoor Unit 13A*N	Indoor Coil and/or Air Handler	Total Capacity BTU/H [kW]	Net Sensible BTU/H [kW]	Net Latent BTU/H [kW]	EER	SEER		
Rev. 8/29/11	RCFL-H*2417(RGRM-06?MAE?)	18,000 [5.3]	13,300 [3.9]	4,700 [1.4]	12.00	14.50	72	600 [283]
	RCFL-H*2417(RGRM-07?MAE?)	17,900 [5.2]	13,300 [3.9]	4,600 [1.3]	11.50	14.00	72	625 [295]
	RCFL-H*2417(RGTM-06?MAE?)	17,900 [5.2]	13,300 [3.9]	4,600 [1.3]	12.00	14.50	72	625 [295]
	RCFL-H*2417(ROCA-070E03)	18,000 [5.3]	13,400 [3.9]	4,600 [1.3]	12.00	14.50	72	600 [283]
	RCFL-H*2417(ROLA-070E03)	17,900 [5.2]	13,300 [3.9]	4,600 [1.3]	12.00	14.50	72	600 [283]
	RBHP-17(RCHL-24A2)	17,200 [5.0]	12,700 [3.7]	4,500 [1.3]	11.50	14.00	72	600 [283]
	RCQD-2417(RGFE-06?MCK?)	18,700 [5.5]	15,200 [4.5]	3,500 [1.0]	12.00	14.50	72	575 [271]
	RCQD-2417(RGFE-07?MCK?)	18,700 [5.5]	15,200 [4.5]	3,500 [1.0]	12.00	14.50	72	600 [283]
	RCQD-2417(RGFG-06?MCK?)	18,700 [5.5]	15,200 [4.5]	3,500 [1.0]	12.00	14.50	72	575 [271]
	RCQD-2417(RGFG-07?MCK?)	18,700 [5.5]	15,200 [4.5]	3,500 [1.0]	12.00	14.50	72	600 [283]
	RCQD-2417(RGJF-06?MCK?)	18,800 [5.5]	15,300 [4.5]	3,500 [1.0]	12.00	14.50	72	625 [295]
	RCQD-2417(RGJF-07?MCK?)	18,800 [5.5]	15,300 [4.5]	3,500 [1.0]	12.00	14.50	72	575 [271]
	RCQD-2417(RGPE-05?BMK?)	18,700 [5.5]	15,200 [4.5]	3,500 [1.0]	12.00	14.50	72	575 [271]
	RCQD-2417(RGPE-07?AMK?)	18,800 [5.5]	15,300 [4.5]	3,500 [1.0]	12.00	14.50	72	625 [295]
	RCQD-2417(RGPR-05?BMK?)	18,700 [5.5]	15,200 [4.5]	3,500 [1.0]	12.00	14.50	72	600 [283]
	RCQD-2417(RGPT-05?BMK?)	19,000 [5.6]	15,600 [4.6]	3,400 [1.0]	12.00	14.50	72	650 [307]
	RCQD-2417(RGPT-07?AMK?)	18,700 [5.5]	15,200 [4.5]	3,500 [1.0]	12.00	14.50	72	625 [295]
	RCQD-2417(RGRM-04?MAE?)	18,700 [5.5]	15,200 [4.5]	3,500 [1.0]	12.00	14.50	72	575 [271]
	RCQD-2417(RGRM-06?MAE?)	18,700 [5.5]	15,200 [4.5]	3,500 [1.0]	12.00	14.50	72	600 [283]
	RCQD-2417(RGRM-07?MAE?)	18,600 [5.4]	15,100 [4.4]	3,500 [1.0]	12.00	14.50	72	625 [295]
	RCQD-2417(RGTM-06?MAE?)	18,700 [5.5]	15,200 [4.5]	3,500 [1.0]	12.00	14.50	72	625 [295]
	RCQD-2417(ROCA-070E03)	18,800 [5.5]	15,300 [4.5]	3,500 [1.0]	12.00	14.50	72	600 [283]
	RCQD-2417(ROLA-070E03)	18,700 [5.5]	15,200 [4.5]	3,500 [1.0]	12.00	14.50	72	600 [283]
	RCQD-2417+RXMD-C04	18,200 [5.3]	14,800 [4.3]	3,400 [1.0]	11.50	13.50	72	650 [307]
RHKL-HM2417(RCSL-H*2417)	18,400 [5.4]	13,900 [4.1]	4,500 [1.3]	12.00	14.50	72	650 [307]	
RHLL-HM2417(RCSL-H*2417)	17,900 [5.2]	13,300 [3.9]	4,600 [1.3]	12.00	14.50	72	600 [283]	
RHSL-HM1817(RCSL-H*2417)	17,700 [5.2]	13,100 [3.8]	4,600 [1.3]	11.00	13.00	72	600 [283]	
24 (13AJN)	RCFL-H*2417 ①	23,000 [6.7]	17,100 [5.0]	5,900 [1.7]	10.50	13.00	73	800 [378]
	RHAL-FR24P	23,400 [6.9]	18,500 [5.4]	4,900 [1.4]	11.00	13.00	73	800 [378]
	RHBL-FR24T	23,400 [6.9]	18,500 [5.4]	4,900 [1.4]	11.50	14.00	73	800 [378]
	RCFL-A*2414	23,000 [6.7]	17,100 [5.0]	5,900 [1.7]	10.50	13.00	73	800 [378]
	RCFL-A*2417	23,000 [6.7]	17,100 [5.0]	5,900 [1.7]	10.50	13.00	73	800 [378]
	RCFL-A*2417(RGFE-06?MCK?)	23,400 [6.9]	17,350 [5.1]	6,050 [1.8]	11.50	14.00	73	800 [378]
	RCFL-A*2417(RGFE-07?MCK?)	23,200 [6.8]	16,950 [5.0]	6,250 [1.8]	11.50	14.00	73	725 [342]
	RCFL-A*2417(RGFG-06?MCK?)	23,200 [6.8]	16,900 [5.0]	6,300 [1.8]	11.50	14.00	73	725 [342]
	RCFL-A*2417(RGFG-07?MCK?)	23,600 [6.9]	17,500 [5.1]	6,100 [1.8]	11.50	13.50	73	800 [378]
	RCFL-A*2417(RGGE-06?MCK?)	23,600 [6.9]	17,550 [5.1]	6,050 [1.8]	11.50	14.00	73	825 [389]
	RCFL-A*2417(RGGE-07?MCK?)	23,600 [6.9]	17,550 [5.1]	6,050 [1.8]	11.50	14.00	73	800 [378]
	RCFL-A*2417(RGLT-07?AMK?)	23,000 [6.7]	16,600 [4.9]	6,400 [1.9]	11.50	14.00	73	675 [319]
	RCFL-A*2417(RGPE-07?AMK?)	23,600 [6.9]	17,550 [5.1]	6,050 [1.8]	11.50	14.00	73	825 [389]
	RCFL-A*2417(RGPR-05?BMK?)	23,400 [6.9]	17,400 [5.1]	6,000 [1.8]	11.50	13.50	73	775 [366]
	RCFL-A*2417(RGPT-05?BMK?)	23,800 [7.0]	17,900 [5.2]	5,900 [1.7]	11.50	13.50	73	850 [401]
	RCFL-A*2417(RGPT-07?AMK?)	23,800 [7.0]	17,900 [5.2]	5,900 [1.7]	11.50	14.00	73	850 [401]
	RCFL-A*2417(RGRM-04?MAE?)	23,400 [6.9]	17,400 [5.1]	6,000 [1.8]	11.50	13.50	73	800 [378]
	RCFL-A*2417(RGRM-06?MAE?)	23,400 [6.9]	17,400 [5.1]	6,000 [1.8]	11.50	13.50	73	825 [389]
	RCFL-A*2417(RGRM-07?MAE?)	23,600 [6.9]	17,750 [5.2]	5,850 [1.7]	11.50	13.00	73	850 [401]
	RCFL-A*2417(RGTM-06?MAE?)	23,400 [6.9]	17,200 [5.0]	6,200 [1.8]	11.50	14.00	73	750 [354]
	RCFL-A*2417(ROCA-070E03)	23,600 [6.9]	17,550 [5.1]	6,050 [1.8]	11.50	14.00	73	800 [378]
	RCFL-A*2417(ROCA-070E04)	23,600 [6.9]	17,550 [5.1]	6,050 [1.8]	11.50	14.00	73	800 [378]
	RCFL-A*2417(ROLA-070E03)	23,600 [6.9]	17,550 [5.1]	6,050 [1.8]	11.50	14.00	73	800 [378]
	RCFL-A*2417(ROLA-070E04)	23,200 [6.8]	16,950 [5.0]	6,250 [1.8]	11.50	14.00	73	725 [342]
RCFL-H*2414	23,000 [6.7]	17,100 [5.0]	5,900 [1.7]	10.50	13.00	73	800 [378]	
RCFL-H*2417(RGFE-06?MCK?)	23,400 [6.9]	17,350 [5.1]	6,050 [1.8]	11.50	14.00	73	800 [378]	

① Highest sales volume tested combination required by D.O.E. test procedures.

[ ] Designates Metric Conversions

# Performance Data @ AHRI Standard Conditions—Cooling (con't.)

Model Numbers		80°F [26.5°C] DB/67°F [19.5°C] WB Indoor Air 95°F [35°C] DB Outdoor Air					Sound Rating dB	Indoor CFM [L/s]	
Outdoor Unit 13A*N	Indoor Coil and/or Air Handler	Total Capacity BTU/H [kW]	Net Sensible BTU/H [kW]	Net Latent BTU/H [kW]	EER	SEER			
Rev. 8/29/11	RCFL-H*2417(RGFE-07?MCK?)	23,200 [6.8]	16,950 [5.0]	6,250 [1.8]	11.50	14.00	73	725 [342]	
	RCFL-H*2417(RGFG-06?MCK?)	23,200 [6.8]	16,900 [5.0]	6,300 [1.8]	11.50	14.00	73	725 [342]	
	RCFL-H*2417(RGFG-07?MCK?)	23,600 [6.9]	17,500 [5.1]	6,100 [1.8]	11.50	13.50	73	800 [378]	
	RCFL-H*2417(RGGE-06?MCK?)	23,600 [6.9]	17,550 [5.1]	6,050 [1.8]	11.50	14.00	73	825 [389]	
	RCFL-H*2417(RGGE-07?MCK?)	23,600 [6.9]	17,550 [5.1]	6,050 [1.8]	11.50	14.00	73	800 [378]	
	RCFL-H*2417(RGJF-06?MCK?)	23,600 [6.9]	17,550 [5.1]	6,050 [1.8]	11.50	14.00	73	825 [389]	
	RCFL-H*2417(RGJF-07?MCK?)	23,600 [6.9]	17,550 [5.1]	6,050 [1.8]	11.50	14.00	73	800 [378]	
	RCFL-H*2417(RGLT-07?AMK?)	23,000 [6.7]	16,600 [4.9]	6,400 [1.9]	11.50	14.00	73	675 [319]	
	RCFL-H*2417(RGPE-05?BMK?)	23,600 [6.9]	17,550 [5.1]	6,050 [1.8]	11.50	14.00	73	800 [378]	
	RCFL-H*2417(RGPE-07?AMK?)	23,600 [6.9]	17,550 [5.1]	6,050 [1.8]	11.50	14.00	73	825 [389]	
	RCFL-H*2417(RGPR-05?BMK?)	23,400 [6.9]	17,400 [5.1]	6,000 [1.8]	11.50	13.50	73	775 [366]	
	RCFL-H*2417(RGPT-05?BMK?)	23,800 [7.0]	17,900 [5.2]	5,900 [1.7]	11.50	13.50	73	850 [401]	
	RCFL-H*2417(RGPT-07?AMK?)	23,800 [7.0]	17,900 [5.2]	5,900 [1.7]	11.50	14.00	73	850 [401]	
	RCFL-H*2417(RGRM-04?MAE?)	23,400 [6.9]	17,400 [5.1]	6,000 [1.8]	11.50	13.50	73	800 [378]	
	RCFL-H*2417(RGRM-06?MAE?)	23,400 [6.9]	17,400 [5.1]	6,000 [1.8]	11.50	13.50	73	825 [389]	
	RCFL-H*2417(RGRM-07?MAE?)	23,600 [6.9]	17,750 [5.2]	5,850 [1.7]	11.00	13.00	73	850 [401]	
	RCFL-H*2417(RGTM-06?MAE?)	23,400 [6.9]	17,200 [5.0]	6,200 [1.8]	11.50	14.00	73	750 [354]	
	RCFL-H*2417(ROCA-070E03)	23,600 [6.9]	17,550 [5.1]	6,050 [1.8]	11.50	14.00	73	800 [378]	
	RCFL-H*2417(ROCA-070E04)	23,600 [6.9]	17,550 [5.1]	6,050 [1.8]	11.50	14.00	73	800 [378]	
	RCFL-H*2417(ROLA-070E03)	23,600 [6.9]	17,550 [5.1]	6,050 [1.8]	11.50	14.00	73	800 [378]	
	RCFL-H*2417(ROLA-070E04)	23,200 [6.8]	16,950 [5.0]	6,250 [1.8]	11.50	14.00	73	725 [342]	
	24 (13AJN)	RBHP-17(RCHL-24A2)	22,000 [6.4]	15,850 [4.6]	6,150 [1.8]	11.50	14.00	73	800 [378]
		RCQD-2417(RGFE-06?MCK?)	23,800 [7.0]	18,750 [5.5]	5,050 [1.5]	11.50	13.50	73	800 [378]
		RCQD-2417(RGFE-07?MCK?)	23,800 [7.0]	18,750 [5.5]	5,050 [1.5]	11.50	13.50	73	825 [389]
		RCQD-2417(RGFG-06?MCK?)	24,200 [7.1]	19,100 [5.6]	5,100 [1.5]	11.50	14.00	73	800 [378]
		RCQD-2417(RGFG-07?MCK?)	24,200 [7.1]	19,100 [5.6]	5,100 [1.5]	11.50	14.00	73	800 [378]
		RCQD-2417(RGJF-06?MCK?)	24,000 [7.0]	18,950 [5.6]	5,050 [1.5]	11.50	13.50	73	825 [389]
		RCQD-2417(RGJF-07?MCK?)	23,800 [7.0]	18,750 [5.5]	5,050 [1.5]	11.50	13.50	73	800 [378]
		RCQD-2417(RGPE-05?BMK?)	24,000 [7.0]	18,950 [5.6]	5,050 [1.5]	11.50	13.50	73	800 [378]
		RCQD-2417(RGPE-07?AMK?)	24,000 [7.0]	18,950 [5.6]	5,050 [1.5]	11.50	14.00	73	825 [389]
		RCQD-2417(RGPR-05?BMK?)	23,600 [6.9]	18,400 [5.4]	5,200 [1.5]	11.50	13.50	73	750 [354]
		RCQD-2417(RGPT-05?BMK?)	24,400 [7.1]	19,650 [5.8]	4,750 [1.4]	11.50	13.50	73	900 [425]
		RCQD-2417(RGRM-04?MAE?)	23,800 [7.0]	18,750 [5.5]	5,050 [1.5]	11.50	13.50	73	800 [378]
RCQD-2417(RGRM-06?MAE?)		23,800 [7.0]	18,750 [5.5]	5,050 [1.5]	11.50	13.50	73	825 [389]	
RCQD-2417(RGRM-07?MAE?)		23,800 [7.0]	18,750 [5.5]	5,050 [1.5]	11.50	13.50	73	800 [378]	
RCQD-2417(RGTM-06?MAE?)		23,800 [7.0]	18,750 [5.5]	5,050 [1.5]	11.50	13.50	73	825 [389]	
RCQD-2417(ROCA-070E03)		24,000 [7.0]	18,950 [5.6]	5,050 [1.5]	11.50	14.00	73	800 [378]	
RCQD-2417(ROCA-070E04)		24,000 [7.0]	18,950 [5.6]	5,050 [1.5]	11.50	14.00	73	800 [378]	
RCQD-2417(ROLA-070E03)		24,000 [7.0]	18,950 [5.6]	5,050 [1.5]	11.50	14.00	73	800 [378]	
RCQD-2417(ROLA-070E04)		23,600 [6.9]	18,350 [5.4]	5,250 [1.5]	11.50	13.50	73	725 [342]	
RHKL-HM2417(RCSL-H*2417)		23,800 [7.0]	17,900 [5.2]	5,900 [1.7]	11.50	14.00	73	850 [401]	
RHLL-HM2417(RCSL-H*2417)		23,600 [6.9]	17,500 [5.1]	6,100 [1.8]	12.00	14.50	73	775 [366]	
RHSL-HM2417(RCSL-H*2417)		23,200 [6.8]	17,250 [5.1]	5,950 [1.7]	11.00	13.00	73	800 [378]	
30 (13AJN)		RCFL-H*3617+RXMD-C04 ①	27,400 [8.0]	20,350 [6.0]	7,050 [2.1]	10.50	13.00	74	1,000 [472]
		RHAL-FR30P	28,400 [8.3]	22,600 [6.6]	5,800 [1.7]	11.00	13.00	74	975 [460]
	RHBL-FR36T	28,400 [8.3]	22,600 [6.6]	5,800 [1.7]	11.50	14.00	74	1,025 [484]	
	RCFL-A*3617(RGFE-06?MCK?)	27,600 [8.1]	20,600 [6.0]	7,000 [2.1]	11.50	13.50	74	1,000 [472]	
	RCFL-A*3617(RGFE-07?MCK?)	27,600 [8.1]	20,600 [6.0]	7,000 [2.1]	11.00	13.50	74	1,025 [484]	
	RCFL-A*3617(RGFG-06?MCK?)	27,600 [8.1]	20,600 [6.0]	7,000 [2.1]	11.50	13.50	74	1,000 [472]	
	RCFL-A*3617(RGFG-07?MCK?)	27,600 [8.1]	20,600 [6.0]	7,000 [2.1]	11.00	13.50	74	1,000 [472]	
	RCFL-A*3617(RGGE-06?MCK?)	27,600 [8.1]	20,200 [5.9]	7,400 [2.2]	11.50	14.00	74	925 [437]	
	RCFL-A*3617(RGGE-07?MCK?)	27,800 [8.1]	20,600 [6.0]	7,200 [2.1]	11.50	13.50	74	1,025 [484]	
	RCFL-A*3617(RGJF-06?MCK?)	27,600 [8.1]	20,200 [5.9]	7,400 [2.2]	11.50	14.00	74	925 [437]	

① Highest sales volume tested combination required by D.O.E. test procedures.

[ ] Designates Metric Conversions

# Performance Data @ AHRI Standard Conditions—Cooling (con't.)

Model Numbers		80°F [26.5°C] DB/67°F [19.5°C] WB Indoor Air 95°F [35°C] DB Outdoor Air					Sound Rating dB	Indoor CFM [L/s]
Outdoor Unit 13A*N	Indoor Coil and/or Air Handler	Total Capacity BTU/H [kW]	Net Sensible BTU/H [kW]	Net Latent BTU/H [kW]	EER	SEER		
Rev. 8/29/11	RCFL-*3617(RGLE-07?AMK?)	27,800 [8.1]	20,600 [6.0]	7,200 [2.1]	11.50	14.00	74	1,025 [484]
	RCFL-A*3617(RGLT-07?AMK?)	27,600 [8.1]	20,000 [5.9]	7,600 [2.2]	11.50	14.00	74	900 [425]
	RCFL-A*3617(RGPE-05?BMK?)	27,400 [8.0]	19,900 [5.8]	7,500 [2.2]	11.50	14.00	74	900 [425]
	RCFL-A*3617(RGPE-07?AMK?)	27,800 [8.1]	20,600 [6.0]	7,200 [2.1]	11.50	14.00	74	1,000 [472]
	RCFL-A*3617(RGPR-05?BMK?)	27,600 [8.1]	20,600 [6.0]	7,000 [2.1]	11.00	13.50	74	1,000 [472]
	RCFL-A*3617(RGPT-05?BMK?)	27,400 [8.0]	20,000 [5.9]	7,400 [2.2]	11.50	14.00	74	900 [425]
	RCFL-A*3617(RGPT-07?AMK?)	27,600 [8.1]	20,200 [5.9]	7,400 [2.2]	11.50	14.00	74	925 [437]
	RCFL-A*3617(RGRM-04?MAE?)	27,400 [8.0]	20,000 [5.9]	7,400 [2.2]	11.50	13.50	74	925 [437]
	RCFL-A*3617(RGRM-06?MAE?)	27,600 [8.1]	20,600 [6.0]	7,000 [2.1]	11.00	13.50	74	1,000 [472]
	RCFL-A*3617(RGRM-07?MAE?)	27,400 [8.0]	20,000 [5.9]	7,400 [2.2]	11.00	13.00	74	950 [448]
	RCFL-A*3617(RGTM-06?MAE?)	27,400 [8.0]	20,000 [5.9]	7,400 [2.2]	11.50	14.00	74	900 [425]
	RCFL-A*3617(ROCA-070E03)	27,800 [8.1]	20,800 [6.1]	7,000 [2.1]	11.50	14.00	74	1,000 [472]
	RCFL-A*3617(ROCA-070E04)	27,800 [8.1]	20,800 [6.1]	7,000 [2.1]	11.50	14.00	74	1,000 [472]
	RCFL-A*3617(ROLA-070E03)	28,000 [8.2]	20,800 [6.1]	7,200 [2.1]	11.50	14.00	74	975 [460]
	RCFL-A*3617(ROLA-070E04)	27,800 [8.1]	20,800 [6.1]	7,000 [2.1]	11.50	14.00	74	1,025 [484]
	RCFL-A*3617+RXMD-C04	27,400 [8.0]	20,350 [6.0]	7,050 [2.1]	10.50	13.00	74	1,000 [472]
	RCFL-A*3621(RGFE-06?MCK?)	27,800 [8.1]	20,600 [6.0]	7,200 [2.1]	11.50	13.50	74	1,000 [472]
	RCFL-A*3621(RGFE-07?MCK?)	27,600 [8.1]	20,600 [6.0]	7,000 [2.1]	11.00	13.50	74	1,025 [484]
	RCFL-A*3621(RGFE-09?ZCM?)	27,800 [8.1]	20,600 [6.0]	7,200 [2.1]	11.50	14.00	74	1,025 [484]
	RCFL-A*3621(RGFE-10?ZCM?)	27,800 [8.1]	20,600 [6.0]	7,200 [2.1]	11.50	14.00	74	1,025 [484]
	RCFL-A*3621(RGFG-06?MCK?)	27,800 [8.1]	20,600 [6.0]	7,200 [2.1]	11.50	13.50	74	1,000 [472]
	RCFL-A*3621(RGFG-07?MCK?)	27,600 [8.1]	20,600 [6.0]	7,000 [2.1]	11.00	13.50	74	1,000 [472]
	RCFL-A*3621(RGFG-09?ZCM?)	27,800 [8.1]	20,600 [6.0]	7,200 [2.1]	11.50	14.00	74	1,025 [484]
	RCFL-A*3621(RGFG-10?ZCM?)	28,000 [8.2]	20,800 [6.1]	7,200 [2.1]	11.50	14.00	74	1,000 [472]
	RCFL-A*3621(RGGE-06?MCK?)	27,600 [8.1]	20,200 [5.9]	7,400 [2.2]	11.50	14.00	74	925 [437]
	RCFL-A*3621(RGGE-07?MCK?)	27,800 [8.1]	20,600 [6.0]	7,200 [2.1]	11.50	13.50	74	1,025 [484]
	RCFL-A*3621(RGGE-09?ZCM?)	28,000 [8.2]	20,800 [6.1]	7,200 [2.1]	11.50	14.00	74	1,000 [472]
	RCFL-A*3621(RGGE-10?ZCM?)	28,000 [8.2]	20,800 [6.1]	7,200 [2.1]	11.50	14.00	74	1,000 [472]
	RCFL-A*3621(RGJF-06?MCK?)	27,600 [8.1]	20,200 [5.9]	7,400 [2.2]	11.50	14.00	74	925 [437]
	RCFL-A*3621(RGLE-07?AMK?)	27,800 [8.1]	20,800 [6.1]	7,000 [2.1]	11.50	14.00	74	1,025 [484]
RCFL-A*3621(RGLE-07?BRQ?)	28,000 [8.2]	20,800 [6.1]	7,200 [2.1]	12.00	14.50	74	1,025 [484]	
RCFL-A*3621(RGLE-10?BRM?)	27,600 [8.1]	19,900 [5.8]	7,700 [2.3]	12.00	14.50	74	875 [413]	
RCFL-A*3621(RGLR-07?BRQ?)	28,000 [8.2]	20,800 [6.1]	7,200 [2.1]	12.00	14.50	74	1,000 [472]	
RCFL-A*3621(RGLR-10?BRM?)	27,800 [8.1]	20,200 [5.9]	7,600 [2.2]	12.00	14.50	74	925 [437]	
RCFL-A*3621(RGLT-07?AMK?)	27,800 [8.1]	20,200 [5.9]	7,600 [2.2]	12.00	14.50	74	925 [437]	
RCFL-A*3621(RGLT-07?BRQ?)	28,000 [8.2]	20,800 [6.1]	7,200 [2.1]	12.00	14.50	74	1,000 [472]	
RCFL-A*3621(RGLT-10?BRM?)	28,000 [8.2]	20,800 [6.1]	7,200 [2.1]	12.00	14.50	74	1,000 [472]	
RCFL-A*3621(RGPE-05?BMK?)	27,800 [8.1]	20,600 [6.0]	7,200 [2.1]	11.50	14.00	74	975 [460]	
RCFL-A*3621(RGPE-07?AMK?)	27,800 [8.1]	20,800 [6.1]	7,000 [2.1]	11.50	14.00	74	1,000 [472]	
RCFL-A*3621(RGPE-07?BRQ?)	28,000 [8.2]	20,800 [6.1]	7,200 [2.1]	12.00	14.50	74	1,025 [484]	
RCFL-A*3621(RGPE-10?BRM?)	27,600 [8.1]	20,000 [5.9]	7,600 [2.2]	12.00	14.50	74	900 [425]	
RCFL-A*3621(RGPR-05?BMK?)	27,600 [8.1]	20,600 [6.0]	7,000 [2.1]	11.00	13.50	74	1,000 [472]	
RCFL-A*3621(RGPT-05?BMK?)	27,400 [8.0]	20,000 [5.9]	7,400 [2.2]	11.50	14.00	74	900 [425]	
RCFL-A*3621(RGPT-07?AMK?)	27,600 [8.1]	20,200 [5.9]	7,400 [2.2]	11.50	14.00	74	925 [437]	
RCFL-A*3621(RGPT-07?BRQ?)	28,400 [8.3]	21,200 [6.2]	7,200 [2.1]	12.00	14.50	74	1,050 [495]	
RCFL-A*3621(RGPT-10?BRM?)	28,000 [8.2]	20,800 [6.1]	7,200 [2.1]	12.00	14.50	74	1,000 [472]	
RCFL-A*3621(RGRM-04?MAE?)	27,400 [8.0]	20,000 [5.9]	7,400 [2.2]	11.50	13.50	74	925 [437]	
RCFL-A*3621(RGRM-06?MAE?)	27,600 [8.1]	20,600 [6.0]	7,000 [2.1]	11.00	13.50	74	1,000 [472]	
RCFL-A*3621(RGRM-07?MAE?)	27,400 [8.0]	20,200 [5.9]	7,200 [2.1]	11.00	13.00	74	950 [448]	
RCFL-A*3621(RGRM-07?YBG?)	27,600 [8.1]	20,400 [6.0]	7,200 [2.1]	11.00	13.00	74	975 [460]	
RCFL-A*3621(RGRM-09?ZAJ?)	27,600 [8.1]	20,400 [6.0]	7,200 [2.1]	11.50	14.00	74	950 [448]	
RCFL-A*3621(RGRM-10?ZAJ?)	27,800 [8.1]	20,600 [6.0]	7,200 [2.1]	11.50	13.50	74	1,025 [484]	
RCFL-A*3621(RGTM-06?MAE?)	27,600 [8.1]	20,000 [5.9]	7,600 [2.2]	11.50	14.00	74	900 [425]	

① Highest sales volume tested combination required by D.O.E. test procedures.

[ ] Designates Metric Conversions

# Performance Data @ AHRI Standard Conditions—Cooling (con't.)

Model Numbers		80°F [26.5°C] DB/67°F [19.5°C] WB Indoor Air 95°F [35°C] DB Outdoor Air					Sound Rating dB	Indoor CFM [L/s]
Outdoor Unit 13A*N	Indoor Coil and/or Air Handler	Total Capacity BTU/H [kW]	Net Sensible BTU/H [kW]	Net Latent BTU/H [kW]	EER	SEER		
Rev. 8/29/11	RCFL-A*3621(RGTM-07?RBG?)	28,200 [8.3]	21,200 [6.2]	7,000 [2.1]	11.50	14.00	74	1,050 [495]
	RCFL-A*3621(RGTM-09?ZAJ?)	28,000 [8.2]	20,800 [6.1]	7,200 [2.1]	12.00	14.50	74	975 [460]
30 (13AJN)	RCFL-A*3621(ROCA-070E03)	28,000 [8.2]	20,800 [6.1]	7,200 [2.1]	11.50	14.00	74	1,000 [472]
	RCFL-A*3621(ROCA-070E04)	28,000 [8.2]	20,800 [6.1]	7,200 [2.1]	11.50	14.00	74	1,000 [472]
	RCFL-A*3621(ROLA-070E03)	28,000 [8.2]	20,800 [6.1]	7,200 [2.1]	12.00	14.00	74	975 [460]
	RCFL-A*3621(ROLA-070E04)	28,000 [8.2]	20,800 [6.1]	7,200 [2.1]	11.50	14.00	74	1,025 [484]
	RCFL-A*3621(ROLA-115E05)	27,600 [8.1]	20,000 [5.9]	7,600 [2.2]	11.50	14.00	74	900 [425]
	RCFL-A*3621+RXMD-C04	27,400 [8.0]	20,350 [6.0]	7,050 [2.1]	10.50	13.00	74	1,000 [472]
	RCFL-H*3617(RGFE-06?MCK?)	27,600 [8.1]	20,600 [6.0]	7,000 [2.1]	11.50	13.50	74	1,000 [472]
	RCFL-H*3617(RGFE-07?MCK?)	27,600 [8.1]	20,600 [6.0]	7,000 [2.1]	11.00	13.50	74	1,025 [484]
	RCFL-H*3617(RGFG-06?MCK?)	27,600 [8.1]	20,600 [6.0]	7,000 [2.1]	11.50	13.50	74	1,000 [472]
	RCFL-H*3617(RGFG-07?MCK?)	27,600 [8.1]	20,600 [6.0]	7,000 [2.1]	11.00	13.50	74	1,000 [472]
	RCFL-H*3617(RGGE-06?MCK?)	27,600 [8.1]	20,200 [5.9]	7,400 [2.2]	11.50	14.00	74	925 [437]
	RCFL-H*3617(RGGE-07?MCK?)	27,800 [8.1]	20,600 [6.0]	7,200 [2.1]	11.50	13.50	74	1,025 [484]
	RCFL-H*3617(RGJF-06?MCK?)	27,600 [8.1]	20,200 [5.9]	7,400 [2.2]	11.50	14.00	74	925 [437]
	RCFL-H*3617(RGJF-07?MCK?)	27,800 [8.1]	20,600 [6.0]	7,200 [2.1]	11.50	13.50	74	1,025 [484]
	RCFL-H*3617(RGLE-07?AMK?)	27,800 [8.1]	20,600 [6.0]	7,200 [2.1]	11.50	14.00	74	1,025 [484]
	RCFL-H*3617(RGLT-07?AMK?)	27,600 [8.1]	20,000 [5.9]	7,600 [2.2]	11.50	14.00	74	900 [425]
	RCFL-H*3617(RGPE-05?BMK?)	27,400 [8.0]	19,900 [5.8]	7,500 [2.2]	11.50	14.00	74	900 [425]
	RCFL-H*3617(RGPE-07?AMK?)	27,800 [8.1]	20,600 [6.0]	7,200 [2.1]	11.50	14.00	74	1,000 [472]
	RCFL-H*3617(RGPR-05?BMK?)	27,600 [8.1]	20,600 [6.0]	7,000 [2.1]	11.00	13.50	74	1,000 [472]
	RCFL-H*3617(RGPT-05?BMK?)	27,400 [8.0]	20,000 [5.9]	7,400 [2.2]	11.50	14.00	74	900 [425]
	RCFL-H*3617(RGPT-07?AMK?)	27,600 [8.1]	20,200 [5.9]	7,400 [2.2]	11.50	14.00	74	925 [437]
	RCFL-H*3617(RGRM-04?MAE?)	27,400 [8.0]	20,000 [5.9]	7,400 [2.2]	11.50	13.50	74	925 [437]
	RCFL-H*3617(RGRM-06?MAE?)	27,600 [8.1]	20,600 [6.0]	7,000 [2.1]	11.00	13.50	74	1,000 [472]
	RCFL-H*3617(RGRM-07?MAE?)	27,400 [8.0]	20,000 [5.9]	7,400 [2.2]	11.00	13.00	74	950 [448]
	RCFL-H*3617(RGTM-06?MAE?)	27,400 [8.0]	20,000 [5.9]	7,400 [2.2]	11.50	14.00	74	900 [425]
	RCFL-H*3617(ROCA-070E03)	27,800 [8.1]	20,800 [6.1]	7,000 [2.1]	11.50	14.00	74	1,000 [472]
	RCFL-H*3617(ROCA-070E04)	27,800 [8.1]	20,800 [6.1]	7,000 [2.1]	11.50	14.00	74	1,000 [472]
	RCFL-H*3617(ROLA-070E03)	28,000 [8.2]	20,800 [6.1]	7,200 [2.1]	11.50	14.00	74	975 [460]
	RCFL-H*3617(ROLA-070E04)	27,800 [8.1]	20,800 [6.1]	7,000 [2.1]	11.50	14.00	74	1,025 [484]
	RCFL-H*3621(RGFE-06?MCK?)	27,800 [8.1]	20,600 [6.0]	7,200 [2.1]	11.50	13.50	74	1,000 [472]
	RCFL-H*3621(RGFE-07?MCK?)	27,600 [8.1]	20,600 [6.0]	7,000 [2.1]	11.00	13.50	74	1,025 [484]
	RCFL-H*3621(RGFE-09?ZCM?)	27,800 [8.1]	20,600 [6.0]	7,200 [2.1]	11.50	14.00	74	1,025 [484]
RCFL-H*3621(RGFE-10?ZCM?)	27,800 [8.1]	20,600 [6.0]	7,200 [2.1]	11.50	14.00	74	1,025 [484]	
RCFL-H*3621(RGFG-06?MCK?)	27,800 [8.1]	20,600 [6.0]	7,200 [2.1]	11.50	13.50	74	1,000 [472]	
RCFL-H*3621(RGFG-07?MCK?)	27,600 [8.1]	20,600 [6.0]	7,000 [2.1]	11.00	13.50	74	1,000 [472]	
RCFL-H*3621(RGFG-09?ZCM?)	27,800 [8.1]	20,600 [6.0]	7,200 [2.1]	11.50	14.00	74	1,025 [484]	
RCFL-H*3621(RGFG-10?ZCM?)	28,000 [8.2]	20,800 [6.1]	7,200 [2.1]	11.50	14.00	74	1,000 [472]	
RCFL-H*3621(RGGE-06?MCK?)	27,600 [8.1]	20,200 [5.9]	7,400 [2.2]	11.50	14.00	74	925 [437]	
RCFL-H*3621(RGGE-07?MCK?)	27,800 [8.1]	20,600 [6.0]	7,200 [2.1]	11.50	13.50	74	1,025 [484]	
RCFL-H*3621(RGGE-09?ZCM?)	27,800 [8.1]	20,800 [6.1]	7,000 [2.1]	11.50	14.00	74	1,025 [484]	
RCFL-H*3621(RGGE-10?ZCM?)	28,000 [8.2]	20,800 [6.1]	7,200 [2.1]	11.50	14.00	74	1,000 [472]	
RCFL-H*3621(RGJF-06?MCK?)	27,600 [8.1]	20,200 [5.9]	7,400 [2.2]	11.50	14.00	74	925 [437]	
RCFL-H*3621(RGJF-07?MCK?)	27,800 [8.1]	20,600 [6.0]	7,200 [2.1]	11.50	13.50	74	1,025 [484]	
RCFL-H*3621(RGJF-09?ZCM?)	28,000 [8.2]	20,800 [6.1]	7,200 [2.1]	11.50	14.00	74	1,000 [472]	
RCFL-H*3621(RGJF-10?ZCM?)	28,000 [8.2]	20,800 [6.1]	7,200 [2.1]	11.50	14.00	74	1,000 [472]	
RCFL-H*3621(RGLE-07?AMK?)	27,800 [8.1]	20,800 [6.1]	7,000 [2.1]	11.50	14.00	74	1,025 [484]	
RCFL-H*3621(RGLE-07?BRQ?)	28,000 [8.2]	20,800 [6.1]	7,200 [2.1]	12.00	14.50	74	1,025 [484]	
RCFL-H*3621(RGLE-10?BRM?)	27,600 [8.1]	19,900 [5.8]	7,700 [2.3]	12.00	14.50	74	875 [413]	
RCFL-H*3621(RGLR-07?BRQ?)	28,000 [8.2]	20,800 [6.1]	7,200 [2.1]	12.00	14.50	74	1,000 [472]	
RCFL-H*3621(RGLR-10?BRM?)	27,800 [8.1]	20,200 [5.9]	7,600 [2.2]	12.00	14.50	74	925 [437]	
RCFL-H*3621(RGLT-07?AMK?)	27,800 [8.1]	20,200 [5.9]	7,600 [2.2]	12.00	14.50	74	925 [437]	

① Highest sales volume tested combination required by D.O.E. test procedures.

[ ] Designates Metric Conversions

# Performance Data @ AHRI Standard Conditions—Cooling (con't.)

Model Numbers		80°F [26.5°C] DB/67°F [19.5°C] WB Indoor Air 95°F [35°C] DB Outdoor Air					Sound Rating dB	Indoor CFM [L/s]	
Outdoor Unit 13A*N	Indoor Coil and/or Air Handler	Total Capacity BTU/H [kW]	Net Sensible BTU/H [kW]	Net Latent BTU/H [kW]	EER	SEER			
Rev. 8/29/11	RCFL-H*3621(RGLT-07?BRQ?)	28,000 [8.2]	20,800 [6.1]	7,200 [2.1]	12.00	14.50	74	1,000 [472]	
	RCFL-H*3621(RGLT-10?BRM?)	28,000 [8.2]	20,800 [6.1]	7,200 [2.1]	12.00	14.50	74	1,000 [472]	
	RCFL-H*3621(RGPE-05?BMK?)	27,800 [8.1]	20,600 [6.0]	7,200 [2.1]	11.50	14.00	74	975 [460]	
	RCFL-H*3621(RGPE-07?AMK?)	27,800 [8.1]	20,800 [6.1]	7,000 [2.1]	11.50	14.00	74	1,000 [472]	
	RCFL-H*3621(RGPE-07?BRQ?)	28,000 [8.2]	20,800 [6.1]	7,200 [2.1]	12.00	14.50	74	1,025 [484]	
	RCFL-H*3621(RGPE-10?BRM?)	27,600 [8.1]	20,000 [5.9]	7,600 [2.2]	12.00	14.50	74	900 [425]	
	RCFL-H*3621(RGPR-05?BMK?)	27,600 [8.1]	20,600 [6.0]	7,000 [2.1]	11.00	13.50	74	1,000 [472]	
	RCFL-H*3621(RGPT-05?BMK?)	27,400 [8.0]	20,000 [5.9]	7,400 [2.2]	11.50	14.00	74	900 [425]	
	RCFL-H*3621(RGPT-07?AMK?)	27,600 [8.1]	20,200 [5.9]	7,400 [2.2]	12.00	14.00	74	925 [437]	
	RCFL-H*3621(RGPT-07?BRQ?)	28,400 [8.3]	21,200 [6.2]	7,200 [2.1]	12.00	14.50	74	1,050 [495]	
	RCFL-H*3621(RGPT-10?BRM?)	28,000 [8.2]	20,800 [6.1]	7,200 [2.1]	12.00	14.50	74	1,000 [472]	
	RCFL-H*3621(RGRM-04?MAE?)	27,400 [8.0]	20,000 [5.9]	7,400 [2.2]	11.50	13.50	74	925 [437]	
	RCFL-H*3621(RGRM-06?MAE?)	27,600 [8.1]	20,600 [6.0]	7,000 [2.1]	11.00	13.50	74	1,000 [472]	
	RCFL-H*3621(RGRM-07?MAE?)	27,400 [8.0]	20,200 [5.9]	7,200 [2.1]	11.00	13.00	74	950 [448]	
	RCFL-H*3621(RGRM-07?YBG?)	27,600 [8.1]	20,400 [6.0]	7,200 [2.1]	11.00	13.00	74	975 [460]	
	RCFL-H*3621(RGRM-09?ZAJ?)	27,600 [8.1]	20,400 [6.0]	7,200 [2.1]	11.50	14.00	74	950 [448]	
	RCFL-H*3621(RGRM-10?ZAJ?)	27,800 [8.1]	20,600 [6.0]	7,200 [2.1]	11.50	13.50	74	1,025 [484]	
	RCFL-H*3621(RGTM-06?MAE?)	27,600 [8.1]	20,000 [5.9]	7,600 [2.2]	11.50	14.00	74	900 [425]	
	RCFL-H*3621(RGTM-07?RBG?)	28,200 [8.3]	21,200 [6.2]	7,000 [2.1]	11.50	14.00	74	1,050 [495]	
	RCFL-H*3621(RGTM-09?ZAJ?)	28,000 [8.2]	20,800 [6.1]	7,200 [2.1]	12.00	14.50	74	975 [460]	
	RCFL-H*3621(ROCA-070E03)	28,000 [8.2]	20,800 [6.1]	7,200 [2.1]	11.50	14.00	74	1,000 [472]	
	RCFL-H*3621(ROCA-070E04)	28,000 [8.2]	20,800 [6.1]	7,200 [2.1]	11.50	14.00	74	1,000 [472]	
	RCFL-H*3621(ROLA-070E03)	28,000 [8.2]	20,800 [6.1]	7,200 [2.1]	11.50	14.00	74	975 [460]	
	RCFL-H*3621(ROLA-070E04)	28,000 [8.2]	20,800 [6.1]	7,200 [2.1]	11.50	14.00	74	1,025 [484]	
	RCFL-H*3621(ROLA-115E05)	27,600 [8.1]	20,000 [5.9]	7,600 [2.2]	11.50	14.00	74	900 [425]	
	RCFL-H*3621+RXMD-C04	27,400 [8.0]	20,350 [6.0]	7,050 [2.1]	10.50	13.00	74	1,000 [472]	
	30 (13AJN)	RBHP-21(RCHL-36A1)	28,800 [8.4]	21,300 [6.2]	7,500 [2.2]	12.00	14.50	74	1,000 [472]
		RCQD-3621(RGFE-06?MCK?)	29,000 [8.5]	23,200 [6.8]	5,800 [1.7]	11.50	14.00	74	1,000 [472]
		RCQD-3621(RGFE-07?MCK?)	28,600 [8.4]	22,300 [6.5]	6,300 [1.8]	11.50	14.00	74	875 [413]
		RCQD-3621(RGFE-09?ZCM?)	29,400 [8.6]	23,600 [6.9]	5,800 [1.7]	12.00	14.50	74	975 [460]
		RCQD-3621(RGFE-10?ZCM?)	29,200 [8.6]	23,400 [6.9]	5,800 [1.7]	12.00	14.50	74	1,000 [472]
		RCQD-3621(RGFG-06?MCK?)	29,000 [8.5]	23,200 [6.8]	5,800 [1.7]	11.50	14.00	74	1,000 [472]
		RCQD-3621(RGFG-07?MCK?)	29,000 [8.5]	23,250 [6.8]	5,750 [1.7]	11.50	13.50	74	1,000 [472]
		RCQD-3621(RGFG-09?ZCM?)	29,400 [8.6]	23,600 [6.9]	5,800 [1.7]	12.00	14.50	74	975 [460]
		RCQD-3621(RGFG-10?ZCM?)	29,200 [8.6]	23,400 [6.9]	5,800 [1.7]	12.00	14.50	74	1,000 [472]
		RCQD-3621(RGJF-06?MCK?)	29,000 [8.5]	22,900 [6.7]	6,100 [1.8]	12.00	14.50	74	925 [437]
		RCQD-3621(RGJF-07?MCK?)	29,200 [8.6]	23,400 [6.9]	5,800 [1.7]	11.50	14.00	74	1,025 [484]
		RCQD-3621(RGJF-09?ZCM?)	29,200 [8.6]	23,400 [6.9]	5,800 [1.7]	12.00	14.50	74	1,025 [484]
		RCQD-3621(RGJF-10?ZCM?)	29,400 [8.6]	23,800 [7.0]	5,600 [1.6]	12.00	14.50	74	1,050 [495]
		RCQD-3621(RGPE-05?BMK?)	29,200 [8.6]	23,400 [6.9]	5,800 [1.7]	11.50	14.00	74	975 [460]
RCQD-3621(RGPE-07?AMK?)		28,800 [8.4]	22,600 [6.6]	6,200 [1.8]	12.00	14.50	74	900 [425]	
RCQD-3621(RGPE-07?BRQ?)		29,600 [8.7]	23,950 [7.0]	5,650 [1.7]	12.00	14.50	74	1,050 [495]	
RCQD-3621(RGPE-10?BRM?)		29,000 [8.5]	22,750 [6.7]	6,250 [1.8]	12.00	14.50	74	900 [425]	
RCQD-3621(RGPR-05?BMK?)		28,600 [8.4]	22,450 [6.6]	6,150 [1.8]	11.50	14.00	74	900 [425]	
RCQD-3621(RGPT-05?BMK?)		28,800 [8.4]	22,600 [6.6]	6,200 [1.8]	11.50	14.00	74	900 [425]	
RCQD-3621(RGPT-07?AMK?)		29,000 [8.5]	22,900 [6.7]	6,100 [1.8]	12.00	14.50	74	925 [437]	
RCQD-3621(RGPT-07?BRQ?)		29,600 [8.7]	23,950 [7.0]	5,650 [1.7]	12.00	14.50	74	1,050 [495]	
RCQD-3621(RGPT-10?BRM?)		29,600 [8.7]	23,950 [7.0]	5,650 [1.7]	12.00	14.50	74	1,050 [495]	
RCQD-3621(RGRM-04?MAE?)		28,800 [8.4]	22,700 [6.7]	6,100 [1.8]	11.50	14.00	74	925 [437]	
RCQD-3621(RGRM-06?MAE?)		28,600 [8.4]	22,400 [6.6]	6,200 [1.8]	11.50	14.00	74	900 [425]	
RCQD-3621(RGRM-07?MAE?)		28,800 [8.4]	22,850 [6.7]	5,950 [1.7]	11.50	13.50	74	950 [448]	
RCQD-3621(RGRM-07?YBG?)		29,200 [8.6]	23,650 [6.9]	5,550 [1.6]	11.50	13.50	74	1,050 [495]	
RCQD-3621(RGRM-09?ZAJ?)		29,000 [8.5]	23,000 [6.7]	6,000 [1.8]	11.50	14.00	74	950 [448]	

① Highest sales volume tested combination required by D.O.E. test procedures.

[ ] Designates Metric Conversions

# Performance Data @ AHRI Standard Conditions—Cooling (con't.)

Model Numbers		80°F [26.5°C] DB/67°F [19.5°C] WB Indoor Air 95°F [35°C] DB Outdoor Air					Sound Rating dB	Indoor CFM [L/s]
Outdoor Unit 13A*N	Indoor Coil and/or Air Handler	Total Capacity BTU/H [kW]	Net Sensible BTU/H [kW]	Net Latent BTU/H [kW]	EER	SEER		
Rev. 8/29/11	RCQD-3621(RGRM-10?ZAJ?)	29,200 [8.6]	23,400 [6.9]	5,800 [1.7]	11.50	14.00	74	1,025 [484]
	RCQD-3621(RGTM-06?MAE?)	28,800 [8.4]	22,600 [6.6]	6,200 [1.8]	12.00	14.50	74	900 [425]
	RCQD-3621(RGTM-07?RBG?)	29,600 [8.7]	24,000 [7.0]	5,600 [1.6]	12.00	14.50	74	1,050 [495]
	RCQD-3621(RGTM-09?ZAJ?)	29,400 [8.6]	23,550 [6.9]	5,850 [1.7]	12.00	14.50	74	975 [460]
	RCQD-3621(ROCA-070E03)	29,200 [8.6]	23,400 [6.9]	5,800 [1.7]	12.00	14.50	74	1,000 [472]
	RCQD-3621(ROCA-070E04)	29,200 [8.6]	23,400 [6.9]	5,800 [1.7]	12.00	14.50	74	1,000 [472]
	RCQD-3621(ROLA-070E03)	29,400 [8.6]	23,550 [6.9]	5,850 [1.7]	12.00	14.50	74	975 [460]
	RCQD-3621(ROLA-070E04)	29,200 [8.6]	23,400 [6.9]	5,800 [1.7]	12.00	14.50	74	1,025 [484]
	RCQD-3621(ROLA-115E05)	29,600 [8.7]	24,000 [7.0]	5,600 [1.6]	12.00	14.50	74	1,050 [495]
	RCQD-3621+RXMD-C04	28,600 [8.4]	22,900 [6.7]	5,700 [1.7]	11.00	13.00	74	1,025 [484]
	RCQD-3624(RGFE-09?ZCM?)	29,400 [8.6]	23,550 [6.9]	5,850 [1.7]	12.00	14.50	74	975 [460]
	RCQD-3624(RGFE-10?ZCM?)	29,400 [8.6]	23,600 [6.9]	5,800 [1.7]	12.00	14.50	74	1,000 [472]
	RCQD-3624(RGFE-12?RCM?)	29,400 [8.6]	23,550 [6.9]	5,850 [1.7]	12.00	14.50	74	1,025 [484]
	RCQD-3624(RGFG-09?ZCM?)	29,400 [8.6]	23,550 [6.9]	5,850 [1.7]	12.00	14.50	74	975 [460]
	RCQD-3624(RGFG-10?ZCM?)	29,200 [8.6]	23,400 [6.9]	5,800 [1.7]	12.00	14.50	74	1,000 [472]
	RCQD-3624(RGFG-12?RCM?)	29,400 [8.6]	23,550 [6.9]	5,850 [1.7]	12.00	14.50	74	1,025 [484]
	RCQD-3624(RGJF-09?ZCM?)	29,200 [8.6]	23,400 [6.9]	5,800 [1.7]	12.00	14.50	74	1,025 [484]
	RCQD-3624(RGJF-10?ZCM?)	29,600 [8.7]	24,000 [7.0]	5,600 [1.6]	12.00	14.50	74	1,050 [495]
	RCQD-3624(RGJF-12?RCM?)	29,600 [8.7]	23,950 [7.0]	5,650 [1.7]	12.00	14.50	74	1,050 [495]
	RCQD-3624(RGPE-07?BRQ?)	29,600 [8.7]	23,950 [7.0]	5,650 [1.7]	12.00	14.50	74	1,050 [495]
	RCQD-3624(RGPE-10?BRM?)	29,000 [8.5]	22,750 [6.7]	6,250 [1.8]	12.00	14.50	74	900 [425]
	RCQD-3624(RGPE-12?ARM?)	28,800 [8.4]	22,450 [6.6]	6,350 [1.9]	12.00	14.50	74	875 [413]
	RCQD-3624(RGPT-07?BRQ?)	29,600 [8.7]	23,950 [7.0]	5,650 [1.7]	12.00	14.50	74	1,050 [495]
	RCQD-3624(RGPT-10?BRM?)	29,800 [8.7]	24,250 [7.1]	5,550 [1.6]	12.00	14.50	74	1,075 [507]
	RCQD-3624(RGPT-12?ARM?)	29,600 [8.7]	23,750 [7.0]	5,850 [1.7]	12.00	14.50	74	975 [460]
	RCQD-3624(RGRM-07?YBG?)	29,200 [8.6]	23,650 [6.9]	5,550 [1.6]	11.50	13.50	74	1,050 [495]
	RCQD-3624(RGRM-09?ZAJ?)	29,000 [8.5]	23,000 [6.7]	6,000 [1.8]	12.00	14.50	74	950 [448]
	RCQD-3624(RGRM-10?ZAJ?)	28,800 [8.4]	22,500 [6.6]	6,300 [1.8]	12.00	14.50	74	875 [413]
	RCQD-3624(RGRM-12?RAJ?)	29,000 [8.5]	22,850 [6.7]	6,150 [1.8]	12.00	14.50	74	925 [437]
	RCQD-3624(RGTM-07?RBG?)	29,600 [8.7]	23,950 [7.0]	5,650 [1.7]	12.00	14.50	74	1,050 [495]
	RCQD-3624(RGTM-09?ZAJ?)	29,400 [8.6]	23,550 [6.9]	5,850 [1.7]	12.00	14.50	74	975 [460]
	RCQD-3624(RGTM-10?RBJ?)	29,400 [8.6]	23,550 [6.9]	5,850 [1.7]	12.00	14.50	74	975 [460]
	RCQD-3624(ROCA-070E03)	29,200 [8.6]	23,400 [6.9]	5,800 [1.7]	12.00	14.50	74	1,000 [472]
RCQD-3624(ROCA-070E04)	29,200 [8.6]	23,400 [6.9]	5,800 [1.7]	12.00	14.50	74	1,000 [472]	
RCQD-3624(ROLA-070E03)	29,400 [8.6]	23,550 [6.9]	5,850 [1.7]	12.00	14.50	74	975 [460]	
RCQD-3624(ROLA-070E04)	29,400 [8.6]	23,600 [6.9]	5,800 [1.7]	12.00	14.50	74	1,025 [484]	
RCQD-3624(ROLA-115E05)	29,600 [8.7]	23,950 [7.0]	5,650 [1.7]	12.00	14.50	74	1,050 [495]	
RCQD-3624+RXMD-C04	28,600 [8.4]	22,900 [6.7]	5,700 [1.7]	11.00	13.00	74	1,025 [484]	
RHKL-HM3617(RCSL-H*3617)	28,000 [8.2]	20,800 [6.1]	7,200 [2.1]	11.50	14.00	74	1,025 [484]	
RHLL-HM3617(RCSL-H*3617)	28,000 [8.2]	20,800 [6.1]	7,200 [2.1]	11.50	14.00	74	1,000 [472]	
RHSL-HM3017(RCSL-H*3617)	27,600 [8.1]	20,400 [6.0]	7,200 [2.1]	11.00	13.00	74	975 [460]	
36 (13AJN, 13ACN, 13ADN)	RCFL-H*3617 ①	34,200 [10.0]	23,950 [7.0]	10,250 [3.0]	10.50	13.00	74	1,000 [472]
	RHAL-FR36P	34,800 [10.2]	26,300 [7.7]	8,500 [2.5]	11.00	13.00	74	1,175 [554]
	RHAL-FR36T	34,800 [10.2]	26,300 [7.7]	8,500 [2.5]	11.00	13.00	74	1,175 [554]
	RHBL-FR36T	34,800 [10.2]	26,300 [7.7]	8,500 [2.5]	11.50	14.00	74	1,150 [543]
	RCFL-A*3617	34,200 [10.0]	23,950 [7.0]	10,250 [3.0]	10.50	13.00	74	1,000 [472]
	RCFL-A*3617(RGFE-06?MCK?)	34,400 [10.1]	24,200 [7.1]	10,200 [3.0]	11.00	13.00	74	1,000 [472]
	RCFL-A*3617(RGFE-07?MCK?)	34,400 [10.1]	24,000 [7.0]	10,400 [3.0]	11.00	13.00	74	1,025 [484]
	RCFL-A*3617(RGFG-06?MCK?)	34,400 [10.1]	24,200 [7.1]	10,200 [3.0]	11.00	13.00	74	1,000 [472]
	RCFL-A*3617(RGFG-07?MCK?)	34,400 [10.1]	24,000 [7.0]	10,400 [3.0]	11.00	13.00	74	1,000 [472]
	RCFL-A*3617(RGGE-06?MCK?)	34,600 [10.1]	24,200 [7.1]	10,400 [3.0]	11.50	13.50	74	1,025 [484]
	RCFL-A*3617(RGGE-07?MCK?)	34,600 [10.1]	24,200 [7.1]	10,400 [3.0]	11.50	13.00	74	1,025 [484]
	RCFL-A*3617(RGJF-06?MCK?)	34,600 [10.1]	24,200 [7.1]	10,400 [3.0]	11.50	13.50	74	1,025 [484]

① Highest sales volume tested combination required by D.O.E. test procedures.

[ ] Designates Metric Conversions

# Performance Data @ AHRI Standard Conditions—Cooling (con't.)

Model Numbers		80°F [26.5°C] DB/67°F [19.5°C] WB Indoor Air 95°F [35°C] DB Outdoor Air					Sound Rating dB	Indoor CFM [L/s]
Outdoor Unit 13A*N	Indoor Coil and/or Air Handler	Total Capacity BTU/H [kW]	Net Sensible BTU/H [kW]	Net Latent BTU/H [kW]	EER	SEER		
Rev. 8/29/11	RCFL-A*3617(RGLE-07?AMK?)	34,600 [10.1]	24,200 [7.1]	10,400 [3.0]	11.50	13.50	74	1,025 [484]
	RCFL-A*3617(RGLT-07?AMK?)	34,800 [10.2]	24,800 [7.3]	10,000 [2.9]	11.50	13.50	74	1,050 [495]
	RCFL-A*3617(RGPE-07?AMK?)	34,600 [10.1]	24,200 [7.1]	10,400 [3.0]	11.50	13.50	74	1,000 [472]
	RCFL-A*3617(RGPR-05?BMK?)	34,400 [10.1]	24,000 [7.0]	10,400 [3.0]	11.00	13.00	74	1,000 [472]
	RCFL-A*3617(RGPT-05?BMK?)	34,800 [10.2]	24,600 [7.2]	10,200 [3.0]	11.00	13.00	74	1,050 [495]
	RCFL-A*3617(RGPT-07?AMK?)	35,400 [10.4]	25,800 [7.6]	9,600 [2.8]	11.50	13.50	74	1,150 [543]
	RCFL-A*3617(RGRM-04?MAE?)	34,400 [10.1]	24,000 [7.0]	10,400 [3.0]	11.00	13.00	74	1,025 [484]
	RCFL-A*3617(RGRM-06?MAE?)	34,400 [10.1]	24,200 [7.1]	10,200 [3.0]	11.00	13.00	74	1,000 [472]
	RCFL-A*3617(RGTM-06?MAE?)	34,800 [10.2]	24,800 [7.3]	10,000 [2.9]	11.50	13.00	74	1,075 [507]
	RCFL-A*3617(ROCA-070E03)	34,600 [10.1]	24,200 [7.1]	10,400 [3.0]	11.50	13.50	74	1,000 [472]
	RCFL-A*3617(ROCA-070E04)	34,600 [10.1]	24,200 [7.1]	10,400 [3.0]	11.50	13.50	74	1,000 [472]
	RCFL-A*3617(ROLA-070E04)	34,600 [10.1]	24,200 [7.1]	10,400 [3.0]	11.50	13.50	74	1,025 [484]
	RCFL-A*3621	34,200 [10.0]	23,950 [7.0]	10,250 [3.0]	10.50	13.00	74	1,000 [472]
	RCFL-A*3621(RGFE-06?MCK?)	34,400 [10.1]	24,200 [7.1]	10,200 [3.0]	11.50	13.00	74	1,000 [472]
	RCFL-A*3621(RGFE-07?MCK?)	34,400 [10.1]	24,200 [7.1]	10,200 [3.0]	11.00	13.00	74	1,025 [484]
	RCFL-A*3621(RGFE-09?ZCM?)	34,600 [10.1]	24,200 [7.1]	10,400 [3.0]	11.50	13.50	74	1,025 [484]
	RCFL-A*3621(RGFE-10?ZCM?)	34,600 [10.1]	24,200 [7.1]	10,400 [3.0]	11.50	13.50	74	1,025 [484]
	RCFL-A*3621(RGFG-06?MCK?)	34,400 [10.1]	24,200 [7.1]	10,200 [3.0]	11.50	13.00	74	1,000 [472]
	RCFL-A*3621(RGFG-07?MCK?)	34,400 [10.1]	24,200 [7.1]	10,200 [3.0]	11.00	13.00	74	1,000 [472]
	RCFL-A*3621(RGFG-09?ZCM?)	34,600 [10.1]	24,200 [7.1]	10,400 [3.0]	11.50	13.50	74	1,025 [484]
	RCFL-A*3621(RGFG-10?ZCM?)	34,800 [10.2]	24,800 [7.3]	10,000 [2.9]	11.50	13.50	74	1,050 [495]
	RCFL-A*3621(RGGE-06?MCK?)	34,600 [10.1]	24,200 [7.1]	10,400 [3.0]	11.50	13.50	74	1,025 [484]
	RCFL-A*3621(RGGE-07?MCK?)	34,600 [10.1]	24,200 [7.1]	10,400 [3.0]	11.50	13.50	74	1,025 [484]
	RCFL-A*3621(RGGE-09?ZCM?)	34,800 [10.2]	24,400 [7.1]	10,400 [3.0]	11.50	13.50	74	1,000 [472]
	RCFL-A*3621(RGGE-10?ZCM?)	35,000 [10.3]	24,800 [7.3]	10,200 [3.0]	11.50	13.50	74	1,050 [495]
	RCFL-A*3621(RGJF-06?MCK?)	34,600 [10.1]	24,200 [7.1]	10,400 [3.0]	11.50	13.50	74	1,025 [484]
	RCFL-A*3621(RGLE-07?AMK?)	34,600 [10.1]	24,200 [7.1]	10,400 [3.0]	11.50	13.50	74	1,025 [484]
	RCFL-A*3621(RGLE-07?BRQ?)	34,800 [10.2]	24,400 [7.1]	10,400 [3.0]	11.50	13.50	74	1,025 [484]
	RCFL-A*3621(RGLE-10?BRM?)	35,200 [10.3]	24,800 [7.3]	10,400 [3.0]	11.50	14.00	74	1,050 [495]
	RCFL-A*3621(RGLR-07?BRQ?)	35,000 [10.3]	24,800 [7.3]	10,200 [3.0]	11.50	13.50	74	1,050 [495]
	RCFL-A*3621(RGLR-10?BRM?)	35,000 [10.3]	24,800 [7.3]	10,200 [3.0]	11.50	14.00	74	1,050 [495]
	RCFL-A*3621(RGLT-07?AMK?)	35,000 [10.3]	25,000 [7.3]	10,000 [2.9]	11.50	13.50	74	1,075 [507]
	RCFL-A*3621(RGPE-07?AMK?)	34,600 [10.1]	24,200 [7.1]	10,400 [3.0]	11.50	13.50	74	1,000 [472]
	RCFL-A*3621(RGPE-07?BRQ?)	35,000 [10.3]	24,800 [7.3]	10,200 [3.0]	11.50	13.50	74	1,050 [495]
	RCFL-A*3621(RGPE-10?BRM?)	35,200 [10.3]	25,000 [7.3]	10,200 [3.0]	11.50	14.00	74	1,075 [507]
	RCFL-A*3621(RGPR-05?BMK?)	34,400 [10.1]	24,200 [7.1]	10,200 [3.0]	11.00	13.00	74	1,000 [472]
RCFL-A*3621(RGPT-05?BMK?)	34,800 [10.2]	24,800 [7.3]	10,000 [2.9]	11.50	13.00	74	1,075 [507]	
RCFL-A*3621(RGPT-07?AMK?)	35,400 [10.4]	25,800 [7.6]	9,600 [2.8]	11.50	13.50	74	1,150 [543]	
RCFL-A*3621(RGPT-07?BRQ?)	35,200 [10.3]	25,000 [7.3]	10,200 [3.0]	11.50	14.00	74	1,050 [495]	
RCFL-A*3621(RGRM-04?MAE?)	34,400 [10.1]	24,000 [7.0]	10,400 [3.0]	11.00	13.00	74	1,025 [484]	
RCFL-A*3621(RGRM-06?MAE?)	34,400 [10.1]	24,200 [7.1]	10,200 [3.0]	11.00	13.00	74	1,000 [472]	
RCFL-A*3621(RGRM-07?YBG?)	34,400 [10.1]	24,000 [7.0]	10,400 [3.0]	11.00	13.00	74	975 [460]	
RCFL-A*3621(RGRM-09?ZAJ?)	35,000 [10.3]	24,800 [7.3]	10,200 [3.0]	11.50	13.00	74	1,075 [507]	
RCFL-A*3621(RGRM-10?ZAJ?)	34,600 [10.1]	24,200 [7.1]	10,400 [3.0]	11.50	13.50	74	1,025 [484]	
RCFL-A*3621(RGTM-06?MAE?)	35,000 [10.3]	24,800 [7.3]	10,200 [3.0]	11.50	13.00	74	1,075 [507]	
RCFL-A*3621(RGTM-07?RBG?)	35,400 [10.4]	25,400 [7.4]	10,000 [2.9]	11.50	13.50	74	1,125 [531]	
RCFL-A*3621(RGTM-09?ZAJ?)	35,200 [10.3]	25,200 [7.4]	10,000 [2.9]	11.50	13.50	74	1,100 [519]	
RCFL-A*3621(ROCA-070E03)	34,600 [10.1]	24,200 [7.1]	10,400 [3.0]	11.50	13.50	74	1,000 [472]	
RCFL-A*3621(ROCA-070E04)	34,600 [10.1]	24,200 [7.1]	10,400 [3.0]	11.50	13.50	74	1,000 [472]	
RCFL-A*3621(ROLA-070E04)	34,600 [10.1]	24,200 [7.1]	10,400 [3.0]	11.50	13.50	74	1,025 [484]	
RCFL-A*3621(ROLA-115E05)	35,000 [10.3]	24,800 [7.3]	10,200 [3.0]	11.50	13.50	74	1,050 [495]	
RCFL-H*3617(RGFE-06?MCK?)	34,400 [10.1]	24,200 [7.1]	10,200 [3.0]	11.00	13.00	74	1,000 [472]	
RCFL-H*3617(RGFE-07?MCK?)	34,400 [10.1]	24,000 [7.0]	10,400 [3.0]	11.00	13.00	74	1,025 [484]	

① Highest sales volume tested combination required by D.O.E. test procedures.

[ ] Designates Metric Conversions

# Performance Data @ AHRI Standard Conditions—Cooling (con't.)

Model Numbers		80°F [26.5°C] DB/67°F [19.5°C] WB Indoor Air 95°F [35°C] DB Outdoor Air					Sound Rating dB	Indoor CFM [L/s]
Outdoor Unit 13A*N	Indoor Coil and/or Air Handler	Total Capacity BTU/H [kW]	Net Sensible BTU/H [kW]	Net Latent BTU/H [kW]	EER	SEER		
Rev. 8/29/11	RCFL-H*3617(RGFG-06?MCK?)	34,400 [10.1]	24,200 [7.1]	10,200 [3.0]	11.00	13.00	74	1,000 [472]
	RCFL-H*3617(RGFG-07?MCK?)	34,400 [10.1]	24,000 [7.0]	10,400 [3.0]	11.00	13.00	74	1,000 [472]
	RCFL-H*3617(RGGE-06?MCK?)	34,600 [10.1]	24,200 [7.1]	10,400 [3.0]	11.50	13.50	74	1,025 [484]
	RCFL-H*3617(RGGE-07?MCK?)	34,600 [10.1]	24,200 [7.1]	10,400 [3.0]	11.50	13.00	74	1,025 [484]
	RCFL-H*3617(RGJF-06?MCK?)	34,600 [10.1]	24,200 [7.1]	10,400 [3.0]	11.50	13.50	74	1,025 [484]
	RCFL-H*3617(RGJF-07?MCK?)	34,600 [10.1]	24,200 [7.1]	10,400 [3.0]	11.50	13.00	74	1,025 [484]
	RCFL-H*3617(RGLE-07?AMK?)	34,600 [10.1]	24,200 [7.1]	10,400 [3.0]	11.50	13.50	74	1,025 [484]
	RCFL-H*3617(RGLT-07?AMK?)	34,800 [10.2]	24,800 [7.3]	10,000 [2.9]	11.50	13.50	74	1,050 [495]
	RCFL-H*3617(RGPE-07?AMK?)	34,600 [10.1]	24,200 [7.1]	10,400 [3.0]	11.50	13.50	74	1,000 [472]
	RCFL-H*3617(RGPR-05?BMK?)	34,400 [10.1]	24,000 [7.0]	10,400 [3.0]	11.00	13.00	74	1,000 [472]
	RCFL-H*3617(RGPT-05?BMK?)	34,800 [10.2]	24,600 [7.2]	10,200 [3.0]	11.00	13.00	74	1,050 [495]
	RCFL-H*3617(RGPT-07?AMK?)	35,400 [10.4]	25,800 [7.6]	9,600 [2.8]	11.50	13.50	74	1,150 [543]
	RCFL-H*3617(RGRM-04?MAE?)	34,400 [10.1]	24,000 [7.0]	10,400 [3.0]	11.00	13.00	74	1,025 [484]
	RCFL-H*3617(RGRM-06?MAE?)	34,400 [10.1]	24,200 [7.1]	10,200 [3.0]	11.00	13.00	74	1,000 [472]
	RCFL-H*3617(RGTM-06?MAE?)	34,800 [10.2]	24,800 [7.3]	10,000 [2.9]	11.50	13.00	74	1,075 [507]
	RCFL-H*3617(ROCA-070E03)	34,600 [10.1]	24,200 [7.1]	10,400 [3.0]	11.50	13.50	74	1,000 [472]
	RCFL-H*3617(ROCA-070E04)	34,600 [10.1]	24,200 [7.1]	10,400 [3.0]	11.50	13.50	74	1,000 [472]
	RCFL-H*3617(ROLA-070E04)	34,600 [10.1]	24,200 [7.1]	10,400 [3.0]	11.50	13.50	74	1,025 [484]
	RCFL-H*3621	34,200 [10.0]	23,950 [7.0]	10,250 [3.0]	10.50	13.00	74	1,000 [472]
	RCFL-H*3621(RGFE-06?MCK?)	34,400 [10.1]	24,200 [7.1]	10,200 [3.0]	11.50	13.00	74	1,000 [472]
	RCFL-H*3621(RGFE-07?MCK?)	34,400 [10.1]	24,200 [7.1]	10,200 [3.0]	11.00	13.00	74	1,025 [484]
	RCFL-H*3621(RGFE-09?ZCM?)	34,600 [10.1]	24,200 [7.1]	10,400 [3.0]	11.50	13.50	74	1,025 [484]
	RCFL-H*3621(RGFE-10?ZCM?)	34,600 [10.1]	24,200 [7.1]	10,400 [3.0]	11.50	13.50	74	1,000 [472]
	RCFL-H*3621(RGFG-06?MCK?)	34,400 [10.1]	24,200 [7.1]	10,200 [3.0]	11.50	13.00	74	1,000 [472]
	RCFL-H*3621(RGFG-07?MCK?)	34,400 [10.1]	24,200 [7.1]	10,200 [3.0]	11.00	13.00	74	1,000 [472]
	RCFL-H*3621(RGFG-09?ZCM?)	34,600 [10.1]	24,200 [7.1]	10,400 [3.0]	11.50	13.50	74	1,025 [484]
	RCFL-H*3621(RGFG-10?ZCM?)	34,800 [10.2]	24,800 [7.3]	10,000 [2.9]	11.50	13.50	74	1,050 [495]
	RCFL-H*3621(RGGE-06?MCK?)	34,600 [10.1]	24,200 [7.1]	10,400 [3.0]	11.50	13.50	74	1,025 [484]
	RCFL-H*3621(RGGE-07?MCK?)	34,600 [10.1]	24,200 [7.1]	10,400 [3.0]	11.50	13.50	74	1,025 [484]
	RCFL-H*3621(RGGE-09?ZCM?)	34,800 [10.2]	24,400 [7.1]	10,400 [3.0]	11.50	13.50	74	1,000 [472]
	RCFL-H*3621(RGGE-10?ZCM?)	35,000 [10.3]	24,800 [7.3]	10,200 [3.0]	11.50	13.50	74	1,050 [495]
	RCFL-H*3621(RGJF-06?MCK?)	34,600 [10.1]	24,200 [7.1]	10,400 [3.0]	11.50	13.50	74	1,025 [484]
	RCFL-H*3621(RGJF-07?MCK?)	34,600 [10.1]	24,200 [7.1]	10,400 [3.0]	11.50	13.50	74	1,025 [484]
	RCFL-H*3621(RGJF-09?ZCM?)	34,800 [10.2]	24,400 [7.1]	10,400 [3.0]	11.50	13.50	74	1,000 [472]
	RCFL-H*3621(RGJF-10?ZCM?)	35,000 [10.3]	24,800 [7.3]	10,200 [3.0]	11.50	13.50	74	1,050 [495]
	RCFL-H*3621(RGLE-07?AMK?)	34,600 [10.1]	24,200 [7.1]	10,400 [3.0]	11.50	13.50	74	1,025 [484]
RCFL-H*3621(RGLE-07?BRQ?)	34,800 [10.2]	24,400 [7.1]	10,400 [3.0]	11.50	13.50	74	1,025 [484]	
RCFL-H*3621(RGLE-10?BRM?)	35,200 [10.3]	24,800 [7.3]	10,400 [3.0]	11.50	14.00	74	1,050 [495]	
RCFL-H*3621(RGLR-07?BRQ?)	35,000 [10.3]	24,800 [7.3]	10,200 [3.0]	11.50	13.50	74	1,050 [495]	
RCFL-H*3621(RGLR-10?BRM?)	35,000 [10.3]	24,800 [7.3]	10,200 [3.0]	11.50	14.00	74	1,050 [495]	
RCFL-H*3621(RGLT-07?AMK?)	35,000 [10.3]	25,000 [7.3]	10,000 [2.9]	11.50	13.50	74	1,075 [507]	
RCFL-H*3621(RGPE-07?AMK?)	34,600 [10.1]	24,200 [7.1]	10,400 [3.0]	11.50	13.50	74	1,000 [472]	
RCFL-H*3621(RGPE-07?BRQ?)	35,000 [10.3]	24,800 [7.3]	10,200 [3.0]	11.50	13.50	74	1,050 [495]	
RCFL-H*3621(RGPE-10?BRM?)	35,200 [10.3]	25,000 [7.3]	10,200 [3.0]	11.50	14.00	74	1,075 [507]	
RCFL-H*3621(RGPR-05?BMK?)	34,400 [10.1]	24,200 [7.1]	10,200 [3.0]	11.00	13.00	74	1,000 [472]	
RCFL-H*3621(RGPT-05?BMK?)	34,800 [10.2]	24,800 [7.3]	10,000 [2.9]	11.50	13.00	74	1,075 [507]	
RCFL-H*3621(RGPT-07?AMK?)	35,400 [10.4]	25,800 [7.6]	9,600 [2.8]	11.50	13.50	74	1,150 [543]	
RCFL-H*3621(RGPT-07?BRQ?)	35,200 [10.3]	25,000 [7.3]	10,200 [3.0]	11.50	14.00	74	1,050 [495]	
RCFL-H*3621(RGRM-04?MAE?)	34,400 [10.1]	24,000 [7.0]	10,400 [3.0]	11.00	13.00	74	1,025 [484]	
RCFL-H*3621(RGRM-06?MAE?)	34,400 [10.1]	24,200 [7.1]	10,200 [3.0]	11.00	13.00	74	1,000 [472]	
RCFL-H*3621(RGRM-07?YBG?)	34,400 [10.1]	24,000 [7.0]	10,400 [3.0]	11.00	13.00	74	975 [460]	
RCFL-H*3621(RGRM-09?ZAJ?)	35,000 [10.3]	24,800 [7.3]	10,200 [3.0]	11.50	13.00	74	1,075 [507]	
RCFL-H*3621(RGRM-10?ZAJ?)	34,600 [10.1]	24,200 [7.1]	10,400 [3.0]	11.50	13.50	74	1,025 [484]	

① Highest sales volume tested combination required by D.O.E. test procedures.

[ ] Designates Metric Conversions

# Performance Data @ AHRI Standard Conditions—Cooling (con't.)

Model Numbers		80°F [26.5°C] DB/67°F [19.5°C] WB Indoor Air 95°F [35°C] DB Outdoor Air					Sound Rating dB	Indoor CFM [L/s]
Outdoor Unit 13A*N	Indoor Coil and/or Air Handler	Total Capacity BTU/H [kW]	Net Sensible BTU/H [kW]	Net Latent BTU/H [kW]	EER	SEER		
Rev. 8/29/11	RCFL-H*3621(RGTM-06?MAE?)	35,000 [10.3]	24,800 [7.3]	10,200 [3.0]	11.50	13.00	74	1,075 [507]
	RCFL-H*3621(RGTM-07?RBG?)	35,000 [10.3]	24,800 [7.3]	10,200 [3.0]	11.50	13.50	74	1,050 [495]
	RCFL-H*3621(RGTM-09?ZAJ?)	35,200 [10.3]	25,200 [7.4]	10,000 [2.9]	11.50	13.50	74	1,100 [519]
	RCFL-H*3621(ROCA-070E03)	34,600 [10.1]	24,200 [7.1]	10,400 [3.0]	11.50	13.50	74	1,000 [472]
	RCFL-H*3621(ROCA-070E04)	34,600 [10.1]	24,200 [7.1]	10,400 [3.0]	11.50	13.50	74	1,000 [472]
	RCFL-H*3621(ROLA-070E04)	34,600 [10.1]	24,200 [7.1]	10,400 [3.0]	11.50	13.50	74	1,025 [484]
	RCFL-H*3621(ROLA-115E05)	35,000 [10.3]	24,800 [7.3]	10,200 [3.0]	11.50	13.50	74	1,050 [495]
	RBHP-21(RCHL-36A1)	36,000 [10.5]	27,100 [7.9]	8,900 [2.6]	11.50	14.00	74	1,200 [566]
	RCQD-3621(RGFE-06?MCK?)	37,000 [10.8]	29,500 [8.6]	7,500 [2.2]	11.00	13.00	74	1,200 [566]
	RCQD-3621(RGFE-09?ZCM?)	37,400 [11.0]	29,850 [8.7]	7,550 [2.2]	11.50	13.50	74	1,200 [566]
	RCQD-3621(RGFE-10?ZCM?)	37,600 [11.0]	30,150 [8.8]	7,450 [2.2]	11.50	13.50	74	1,225 [578]
	RCQD-3621(RGFG-06?MCK?)	37,000 [10.8]	29,500 [8.6]	7,500 [2.2]	11.00	13.00	74	1,200 [566]
	RCQD-3621(RGFG-09?ZCM?)	37,400 [11.0]	29,850 [8.7]	7,550 [2.2]	11.50	13.50	74	1,200 [566]
	RCQD-3621(RGFG-10?ZCM?)	36,800 [10.8]	28,450 [8.3]	8,350 [2.4]	11.50	14.00	74	1,050 [495]
	RCQD-3621(RGJF-06?MCK?)	37,200 [10.9]	29,650 [8.7]	7,550 [2.2]	11.50	13.00	74	1,200 [566]
	RCQD-3621(RGJF-07?MCK?)	37,200 [10.9]	29,700 [8.7]	7,500 [2.2]	11.50	13.00	74	1,200 [566]
	RCQD-3621(RGJF-09?ZCM?)	37,600 [11.0]	30,150 [8.8]	7,450 [2.2]	11.50	13.50	74	1,225 [578]
	RCQD-3621(RGJF-10?ZCM?)	36,800 [10.8]	28,450 [8.3]	8,350 [2.4]	11.50	14.00	74	1,050 [495]
	RCQD-3621(RGPE-05?BMK?)	37,200 [10.9]	29,650 [8.7]	7,550 [2.2]	11.50	13.00	74	1,200 [566]
	RCQD-3621(RGPE-07?AMK?)	37,400 [11.0]	29,950 [8.8]	7,450 [2.2]	11.50	13.50	74	1,225 [578]
	RCQD-3621(RGPE-07?BRQ?)	37,800 [11.1]	30,300 [8.9]	7,500 [2.2]	11.50	14.00	74	1,225 [578]
	RCQD-3621(RGPE-10?BRM?)	37,800 [11.1]	30,300 [8.9]	7,500 [2.2]	11.50	14.00	74	1,225 [578]
	RCQD-3621(RGPR-05?BMK?)	37,000 [10.8]	29,500 [8.6]	7,500 [2.2]	11.00	13.00	74	1,200 [566]
	RCQD-3621(RGPT-05?BMK?)	36,800 [10.8]	28,750 [8.4]	8,050 [2.4]	11.50	13.50	74	1,100 [519]
	RCQD-3621(RGPT-07?AMK?)	37,200 [10.9]	29,350 [8.6]	7,850 [2.3]	11.50	13.50	74	1,150 [543]
	RCQD-3621(RGPT-07?BRQ?)	37,000 [10.8]	28,600 [8.4]	8,400 [2.5]	11.50	14.00	74	1,050 [495]
	RCQD-3621(RGPT-10?BRM?)	37,000 [10.8]	28,600 [8.4]	8,400 [2.5]	11.50	14.00	74	1,050 [495]
	RCQD-3621(RGRM-04?MAE?)	36,200 [10.6]	27,700 [8.1]	8,500 [2.5]	11.50	13.00	74	1,025 [484]
	RCQD-3621(RGRM-07?MAE?)	36,000 [10.5]	27,500 [8.1]	8,500 [2.5]	11.50	13.00	74	1,025 [484]
	RCQD-3621(RGRM-07?YBG?)	36,400 [10.7]	28,150 [8.2]	8,250 [2.4]	11.50	13.00	74	1,050 [495]
	RCQD-3621(RGRM-09?ZAJ?)	37,400 [11.0]	30,000 [8.8]	7,400 [2.2]	11.50	13.50	74	1,225 [578]
	RCQD-3621(RGRM-10?ZAJ?)	37,000 [10.8]	29,200 [8.6]	7,800 [2.3]	11.50	13.50	74	1,150 [543]
	RCQD-3621(RGTM-06?MAE?)	36,800 [10.8]	28,600 [8.4]	8,200 [2.4]	11.50	13.50	74	1,075 [507]
	RCQD-3621(RGTM-07?RBG?)	37,200 [10.9]	29,200 [8.6]	8,000 [2.3]	11.50	14.00	74	1,125 [531]
	RCQD-3621(RGTM-09?ZAJ?)	37,000 [10.8]	28,900 [8.5]	8,100 [2.4]	11.50	14.00	74	1,100 [519]
	RCQD-3621(ROCA-070E03)	37,400 [11.0]	29,850 [8.7]	7,550 [2.2]	11.50	13.50	74	1,200 [566]
RCQD-3621(ROCA-070E04)	37,400 [11.0]	29,850 [8.7]	7,550 [2.2]	11.50	13.50	74	1,200 [566]	
RCQD-3621(ROLA-070E03)	37,400 [11.0]	29,650 [8.7]	7,750 [2.3]	11.50	13.50	74	1,175 [554]	
RCQD-3621(ROLA-070E04)	37,400 [11.0]	29,650 [8.7]	7,750 [2.3]	11.50	13.50	74	1,175 [554]	
RCQD-3621(ROLA-115E05)	37,600 [11.0]	30,000 [8.8]	7,600 [2.2]	11.50	14.00	74	1,200 [566]	
RHKL-HM3617(RCSL-H*3617)	35,800 [10.5]	26,250 [7.7]	9,550 [2.8]	11.50	14.00	74	1,025 [484]	
RHLL-HM3617(RCSL-H*3617)	37,000 [10.8]	28,400 [8.3]	8,600 [2.5]	11.50	14.00	74	1,200 [566]	
RHSL-HM3617(RCSL-H*3617)	35,800 [10.5]	26,850 [7.9]	8,950 [2.6]	11.00	13.00	74	1,100 [519]	
RHSL-HM3621(RCSL-H*3621)	36,000 [10.5]	27,150 [8.0]	8,850 [2.6]	11.00	13.00	74	1,125 [531]	
42 (13AJN, 13ACN, 13ADN)	RCFL-H*4821+RXMD-C04 ①	39,500 [11.6]	28,900 [8.5]	10,600 [3.1]	10.50	13.00	75	1,375 [649]
	RCFL-A*4821(RGFE-09?ZCM?)	39,000 [11.4]	27,600 [8.1]	11,400 [3.3]	11.50	13.50	75	1,200 [566]
	RCFL-A*4821(RGFE-10?ZCM?)	39,500 [11.6]	27,800 [8.1]	11,700 [3.4]	11.00	13.50	75	1,225 [578]
	RCFL-A*4821(RGFG-09?ZCM?)	39,000 [11.4]	27,600 [8.1]	11,400 [3.3]	11.50	13.50	75	1,200 [566]
	RCFL-A*4821(RGFG-10?ZCM?)	39,000 [11.4]	27,600 [8.1]	11,400 [3.3]	11.00	13.50	75	1,200 [566]
	RCFL-A*4821(RGGE-06?MCK?)	39,000 [11.4]	27,400 [8.0]	11,600 [3.4]	11.00	13.00	75	1,200 [566]
	RCFL-A*4821(RGGE-07?MCK?)	39,000 [11.4]	27,400 [8.0]	11,600 [3.4]	11.00	13.00	75	1,200 [566]
	RCFL-A*4821(RGGE-09?ZCM?)	39,500 [11.6]	27,800 [8.1]	11,700 [3.4]	11.50	13.50	75	1,225 [578]
RCFL-A*4821(RGGE-10?ZCM?)	39,000 [11.4]	27,600 [8.1]	11,400 [3.3]	11.00	13.50	75	1,200 [566]	

① Highest sales volume tested combination required by D.O.E. test procedures.

[ ] Designates Metric Conversions

# Performance Data @ AHRI Standard Conditions—Cooling (con't.)

Model Numbers		80°F [26.5°C] DB/67°F [19.5°C] WB Indoor Air 95°F [35°C] DB Outdoor Air					Sound Rating dB	Indoor CFM [L/s]
Outdoor Unit 13A*N	Indoor Coil and/or Air Handler	Total Capacity BTU/H [kW]	Net Sensible BTU/H [kW]	Net Latent BTU/H [kW]	EER	SEER		
Rev. 8/29/11	RCFL-A*4821(RGJF-06?MCK?)	39,000 [11.4]	27,400 [8.0]	11,600 [3.4]	11.00	13.00	75	1,200 [566]
	RCFL-A*4821(RGLE-07?AMK?)	39,000 [11.4]	27,600 [8.1]	11,400 [3.3]	11.00	13.50	75	1,200 [566]
	RCFL-A*4821(RGLE-07?BRQ?)	40,000 [11.7]	29,200 [8.6]	10,800 [3.2]	11.50	13.50	75	1,400 [661]
	RCFL-A*4821(RGLE-10?BRM?)	39,500 [11.6]	27,800 [8.1]	11,700 [3.4]	11.50	14.00	75	1,200 [566]
	RCFL-A*4821(RGLR-07?BRQ?)	40,000 [11.7]	29,800 [8.7]	10,200 [3.0]	11.50	13.50	75	1,425 [672]
	RCFL-A*4821(RGLR-10?BRM?)	39,500 [11.6]	27,800 [8.1]	11,700 [3.4]	11.50	14.00	75	1,200 [566]
	RCFL-A*4821(RGLT-07?AMK?)	39,500 [11.6]	28,000 [8.2]	11,500 [3.4]	11.00	13.50	75	1,250 [590]
	RCFL-A*4821(RGLT-07?BRQ?)	40,500 [11.9]	30,000 [8.8]	10,500 [3.1]	11.00	13.50	75	1,450 [684]
	RCFL-A*4821(RGLT-10?BRM?)	39,500 [11.6]	28,200 [8.3]	11,300 [3.3]	11.50	14.00	75	1,250 [590]
	RCFL-A*4821(RGPE-05?BMK?)	39,000 [11.4]	27,400 [8.0]	11,600 [3.4]	11.00	13.00	75	1,200 [566]
	RCFL-A*4821(RGPE-07?AMK?)	39,000 [11.4]	27,800 [8.1]	11,200 [3.3]	11.00	13.00	75	1,225 [578]
	RCFL-A*4821(RGPE-07?BRQ?)	39,500 [11.6]	28,000 [8.2]	11,500 [3.4]	11.50	14.00	75	1,225 [578]
	RCFL-A*4821(RGPE-10?BRM?)	39,500 [11.6]	28,000 [8.2]	11,500 [3.4]	11.50	14.00	75	1,225 [578]
	RCFL-A*4821(RGPT-05?BMK?)	39,000 [11.4]	27,600 [8.1]	11,400 [3.3]	11.00	13.00	75	1,225 [578]
	RCFL-A*4821(RGPT-07?AMK?)	39,500 [11.6]	28,800 [8.4]	10,700 [3.1]	11.00	13.50	75	1,325 [625]
	RCFL-A*4821(RGPT-07?BRQ?)	40,000 [11.7]	29,000 [8.5]	11,000 [3.2]	11.50	14.00	75	1,325 [625]
	RCFL-A*4821(RGPT-10?BRM?)	39,500 [11.6]	28,000 [8.2]	11,500 [3.4]	11.50	14.00	75	1,225 [578]
	42 (13AJN, 13ACN, 13ADN)	RCFL-A*4821(RGRM-09?ZAJ?)	39,000 [11.4]	27,600 [8.1]	11,400 [3.3]	11.00	13.00	75
RCFL-A*4821(RGRM-10?ZAJ?)		39,000 [11.4]	27,000 [7.9]	12,000 [3.5]	11.00	13.00	75	1,150 [543]
RCFL-A*4821(RGTM-07?RBG?)		40,000 [11.7]	28,800 [8.4]	11,200 [3.3]	11.50	13.50	75	1,325 [625]
RCFL-A*4821(RGTM-09?ZAJ?)		39,500 [11.6]	28,000 [8.2]	11,500 [3.4]	11.50	13.50	75	1,250 [590]
RCFL-A*4821(ROCA-070E03)		39,000 [11.4]	27,600 [8.1]	11,400 [3.3]	11.00	13.50	75	1,200 [566]
RCFL-A*4821(ROCA-070E04)		39,000 [11.4]	27,600 [8.1]	11,400 [3.3]	11.00	13.50	75	1,200 [566]
RCFL-A*4821(ROLA-070E03)		39,000 [11.4]	27,400 [8.0]	11,600 [3.4]	11.50	13.50	75	1,175 [554]
RCFL-A*4821(ROLA-070E04)		40,000 [11.7]	29,200 [8.6]	10,800 [3.2]	11.00	13.50	75	1,375 [649]
RCFL-A*4821(ROLA-115E05)		39,500 [11.6]	27,600 [8.1]	11,900 [3.5]	11.50	13.50	75	1,200 [566]
RCFL-A*4821+RXMD-C04		39,500 [11.6]	28,900 [8.5]	10,600 [3.1]	10.50	13.00	75	1,375 [649]
RCFL-A*4824(RGFE-09?ZCM?)		39,000 [11.4]	27,600 [8.1]	11,400 [3.3]	11.00	13.50	75	1,200 [566]
RCFL-A*4824(RGFE-10?ZCM?)		39,500 [11.6]	27,800 [8.1]	11,700 [3.4]	11.50	13.50	75	1,225 [578]
RCFL-A*4824(RGFE-12?RCM?)		39,500 [11.6]	27,800 [8.1]	11,700 [3.4]	11.50	13.50	75	1,225 [578]
RCFL-A*4824(RGFG-09?ZCM?)		39,000 [11.4]	27,600 [8.1]	11,400 [3.3]	11.00	13.50	75	1,200 [566]
RCFL-A*4824(RGFG-10?ZCM?)		39,000 [11.4]	27,600 [8.1]	11,400 [3.3]	11.50	13.50	75	1,200 [566]
RCFL-A*4824(RGFG-12?RCM?)		39,500 [11.6]	27,800 [8.1]	11,700 [3.4]	11.50	13.50	75	1,225 [578]
RCFL-A*4824(RGGE-09?ZCM?)		39,500 [11.6]	27,800 [8.1]	11,700 [3.4]	11.50	13.50	75	1,225 [578]
RCFL-A*4824(RGGE-10?ZCM?)		39,000 [11.4]	27,600 [8.1]	11,400 [3.3]	11.00	13.50	75	1,200 [566]
RCFL-A*4824(RGGE-12?RCM?)		39,500 [11.6]	27,800 [8.1]	11,700 [3.4]	11.50	14.00	75	1,200 [566]
RCFL-A*4824(RGLE-07?BRQ?)		39,500 [11.6]	28,000 [8.2]	11,500 [3.4]	11.50	13.50	75	1,225 [578]
RCFL-A*4824(RGLE-10?BRM?)		39,500 [11.6]	27,800 [8.1]	11,700 [3.4]	11.50	14.00	75	1,200 [566]
RCFL-A*4824(RGLE-12?ARM?)		39,500 [11.6]	28,000 [8.2]	11,500 [3.4]	11.50	14.00	75	1,225 [578]
RCFL-A*4824(RGLR-07?BRQ?)		40,000 [11.7]	29,800 [8.7]	10,200 [3.0]	11.50	13.50	75	1,425 [672]
RCFL-A*4824(RGLR-10?BRM?)		39,500 [11.6]	27,800 [8.1]	11,700 [3.4]	11.50	14.00	75	1,200 [566]
RCFL-A*4824(RGLR-12?ARM?)		39,500 [11.6]	27,800 [8.1]	11,700 [3.4]	11.50	14.00	75	1,200 [566]
RCFL-A*4824(RGLT-07?BRQ?)		40,500 [11.9]	30,000 [8.8]	10,500 [3.1]	11.00	13.50	75	1,450 [684]
RCFL-A*4824(RGLT-10?BRM?)		39,500 [11.6]	28,200 [8.3]	11,300 [3.3]	11.50	14.00	75	1,250 [590]
RCFL-A*4824(RGLT-12?ARM?)		40,000 [11.7]	29,400 [8.6]	10,600 [3.1]	11.50	13.50	75	1,375 [649]
RCFL-A*4824(RGPE-07?BRQ?)		39,500 [11.6]	28,000 [8.2]	11,500 [3.4]	11.50	14.00	75	1,225 [578]
RCFL-A*4824(RGPE-10?BRM?)		39,500 [11.6]	28,000 [8.2]	11,500 [3.4]	11.50	14.00	75	1,225 [578]
RCFL-A*4824(RGPE-12?ARM?)	39,500 [11.6]	27,800 [8.1]	11,700 [3.4]	11.50	14.00	75	1,200 [566]	
RCFL-A*4824(RGPT-07?BRQ?)	40,000 [11.7]	29,000 [8.5]	11,000 [3.2]	11.50	14.00	75	1,325 [625]	
RCFL-A*4824(RGPT-10?BRM?)	39,500 [11.6]	28,000 [8.2]	11,500 [3.4]	11.50	14.00	75	1,225 [578]	
RCFL-A*4824(RGPT-12?ARM?)	40,000 [11.7]	29,400 [8.6]	10,600 [3.1]	11.50	14.00	75	1,375 [649]	
RCFL-A*4824(RGRM-09?ZAJ?)	39,000 [11.4]	27,800 [8.1]	11,200 [3.3]	11.00	13.00	75	1,225 [578]	
RCFL-A*4824(RGRM-10?ZAJ?)	39,000 [11.4]	27,000 [7.9]	12,000 [3.5]	11.00	13.50	75	1,150 [543]	

① Highest sales volume tested combination required by D.O.E. test procedures.

[ ] Designates Metric Conversions

# Performance Data @ AHRI Standard Conditions—Cooling (con't.)

Model Numbers		80°F [26.5°C] DB/67°F [19.5°C] WB Indoor Air 95°F [35°C] DB Outdoor Air					Sound Rating dB	Indoor CFM [L/s]
Outdoor Unit 13A*N	Indoor Coil and/or Air Handler	Total Capacity BTU/H [kW]	Net Sensible BTU/H [kW]	Net Latent BTU/H [kW]	EER	SEER		
Rev. 8/29/11	RCFL-A*4824(RGRM-12?RAJ?)	39,500 [11.6]	27,800 [8.1]	11,700 [3.4]	11.50	13.50	75	1,225 [578]
	RCFL-A*4824(RGTM-07?RBG?)	40,000 [11.7]	28,800 [8.4]	11,200 [3.3]	11.50	13.50	75	1,325 [625]
	RCFL-A*4824(RGTM-09?ZAJ?)	39,500 [11.6]	28,000 [8.2]	11,500 [3.4]	11.50	13.50	75	1,250 [590]
	RCFL-A*4824(RGTM-10?RBJ?)	40,000 [11.7]	29,800 [8.7]	10,200 [3.0]	11.50	13.50	75	1,425 [672]
	RCFL-A*4824(ROCA-070E03)	39,000 [11.4]	27,600 [8.1]	11,400 [3.3]	11.00	13.50	75	1,200 [566]
	RCFL-A*4824(ROCA-070E04)	39,000 [11.4]	27,600 [8.1]	11,400 [3.3]	11.00	13.50	75	1,200 [566]
	RCFL-A*4824(ROLA-070E03)	39,000 [11.4]	27,400 [8.0]	11,600 [3.4]	11.50	13.50	75	1,175 [554]
	RCFL-A*4824(ROLA-070E04)	40,000 [11.7]	29,200 [8.6]	10,800 [3.2]	11.50	13.50	75	1,375 [649]
	RCFL-A*4824(ROLA-115E05)	40,000 [11.7]	29,200 [8.6]	10,800 [3.2]	11.00	13.50	75	1,400 [661]
	RCFL-A*4824+RXMD-C04	39,500 [11.6]	28,900 [8.5]	10,600 [3.1]	10.50	13.00	75	1,375 [649]
	RCFL-H*4821(RGGE-06?MCK?)	39,000 [11.4]	27,400 [8.0]	11,600 [3.4]	11.00	13.00	75	1,200 [566]
	RCFL-H*4821(RGGE-07?MCK?)	39,000 [11.4]	27,400 [8.0]	11,600 [3.4]	11.00	13.00	75	1,200 [566]
	RCFL-H*4821(RGGE-09?ZCM?)	39,500 [11.6]	27,800 [8.1]	11,700 [3.4]	11.50	13.50	75	1,225 [578]
	RCFL-H*4821(RGGE-10?ZCM?)	39,000 [11.4]	27,600 [8.1]	11,400 [3.3]	11.00	13.50	75	1,200 [566]
	RCFL-H*4821(RGJF-06?MCK?)	39,000 [11.4]	27,400 [8.0]	11,600 [3.4]	10.50	13.00	75	1,200 [566]
	RCFL-H*4821(RGJF-07?MCK?)	39,000 [11.4]	27,400 [8.0]	11,600 [3.4]	11.00	13.00	75	1,200 [566]
	RCFL-H*4821(RGJF-09?ZCM?)	39,500 [11.6]	27,800 [8.1]	11,700 [3.4]	11.50	13.50	75	1,225 [578]
	RCFL-H*4821(RGJF-10?ZCM?)	39,000 [11.4]	27,600 [8.1]	11,400 [3.3]	11.00	13.50	75	1,200 [566]
	RCFL-H*4821(RGLE-07?AMK?)	39,000 [11.4]	27,600 [8.1]	11,400 [3.3]	11.00	13.50	75	1,200 [566]
	RCFL-H*4821(RGLE-07?BRQ?)	40,000 [11.7]	29,200 [8.6]	10,800 [3.2]	11.50	13.50	75	1,400 [661]
	RCFL-H*4821(RGLE-10?BRM?)	39,500 [11.6]	27,800 [8.1]	11,700 [3.4]	11.50	14.00	75	1,200 [566]
	RCFL-H*4821(RGLR-07?BRQ?)	40,000 [11.7]	29,800 [8.7]	10,200 [3.0]	11.50	13.50	75	1,425 [672]
	RCFL-H*4821(RGLR-10?BRM?)	39,500 [11.6]	27,800 [8.1]	11,700 [3.4]	11.50	14.00	75	1,200 [566]
	RCFL-H*4821(RGLT-07?AMK?)	39,500 [11.6]	28,000 [8.2]	11,500 [3.4]	11.00	13.50	75	1,250 [590]
	RCFL-H*4821(RGLT-07?BRQ?)	40,500 [11.9]	30,000 [8.8]	10,500 [3.1]	11.00	13.50	75	1,450 [684]
	RCFL-H*4821(RGLT-10?BRM?)	39,500 [11.6]	28,200 [8.3]	11,300 [3.3]	11.50	14.00	75	1,250 [590]
	RCFL-H*4821(RGPE-05?BMK?)	39,000 [11.4]	27,400 [8.0]	11,600 [3.4]	11.00	13.00	75	1,200 [566]
	RCFL-H*4821(RGPE-07?AMK?)	39,000 [11.4]	27,800 [8.1]	11,200 [3.3]	11.00	13.00	75	1,225 [578]
	RCFL-H*4821(RGPE-07?BRQ?)	39,500 [11.6]	28,000 [8.2]	11,500 [3.4]	11.50	14.00	75	1,225 [578]
	RCFL-H*4821(RGPE-10?BRM?)	39,500 [11.6]	28,000 [8.2]	11,500 [3.4]	11.50	14.00	75	1,225 [578]
	RCFL-H*4821(RGPT-05?BMK?)	39,000 [11.4]	27,600 [8.1]	11,400 [3.3]	11.00	13.00	75	1,225 [578]
	RCFL-H*4821(RGPT-07?AMK?)	39,500 [11.6]	28,800 [8.4]	10,700 [3.1]	11.00	13.50	75	1,325 [625]
	RCFL-H*4821(RGPT-07?BRQ?)	40,000 [11.7]	29,000 [8.5]	11,000 [3.2]	11.50	14.00	75	1,325 [625]
	RCFL-H*4821(RGPT-10?BRM?)	39,500 [11.6]	28,000 [8.2]	11,500 [3.4]	11.50	14.00	75	1,225 [578]
	RCFL-H*4821(RGTM-06?MAE?)	39,000 [11.4]	27,600 [8.1]	11,400 [3.3]	11.00	13.00	75	1,225 [578]
	RCFL-H*4821(RGTM-07?RBG?)	40,000 [11.7]	28,800 [8.4]	11,200 [3.3]	11.50	13.50	75	1,325 [625]
	RCFL-H*4821(RGTM-09?ZAJ?)	39,500 [11.6]	28,200 [8.3]	11,300 [3.3]	11.50	13.50	75	1,250 [590]
	RCFL-H*4824(RGFE-09?ZCM?)	39,000 [11.4]	27,600 [8.1]	11,400 [3.3]	11.50	13.50	75	1,200 [566]
	RCFL-H*4824(RGFE-10?ZCM?)	39,500 [11.6]	27,800 [8.1]	11,700 [3.4]	11.00	13.50	75	1,225 [578]
	RCFL-H*4824(RGFE-12?RCM?)	39,500 [11.6]	27,800 [8.1]	11,700 [3.4]	11.50	13.50	75	1,225 [578]
RCFL-H*4824(RGFG-09?ZCM?)	39,000 [11.4]	27,600 [8.1]	11,400 [3.3]	11.50	13.50	75	1,200 [566]	
RCFL-H*4824(RGFG-10?ZCM?)	39,000 [11.4]	27,600 [8.1]	11,400 [3.3]	11.00	13.50	75	1,200 [566]	
RCFL-H*4824(RGFG-12?RCM?)	39,500 [11.6]	27,800 [8.1]	11,700 [3.4]	11.50	13.50	75	1,225 [578]	
RCFL-H*4824(RGGE-09?ZCM?)	39,500 [11.6]	27,800 [8.1]	11,700 [3.4]	11.50	13.50	75	1,225 [578]	
RCFL-H*4824(RGGE-10?ZCM?)	39,000 [11.4]	27,600 [8.1]	11,400 [3.3]	11.00	13.50	75	1,200 [566]	
RCFL-H*4824(RGGE-12?RCM?)	39,500 [11.6]	27,800 [8.1]	11,700 [3.4]	11.50	14.00	75	1,200 [566]	
RCFL-H*4824(RGJF-09?ZCM?)	39,500 [11.6]	27,800 [8.1]	11,700 [3.4]	11.50	13.50	75	1,225 [578]	
RCFL-H*4824(RGJF-10?ZCM?)	39,000 [11.4]	27,600 [8.1]	11,400 [3.3]	11.00	13.50	75	1,200 [566]	
RCFL-H*4824(RGJF-12?RCM?)	39,500 [11.6]	27,800 [8.1]	11,700 [3.4]	11.50	14.00	75	1,200 [566]	
RCFL-H*4824(RGLE-07?BRQ?)	40,000 [11.7]	29,200 [8.6]	10,800 [3.2]	11.50	13.50	75	1,400 [661]	
RCFL-H*4824(RGLE-10?BRM?)	39,500 [11.6]	27,800 [8.1]	11,700 [3.4]	11.50	14.00	75	1,200 [566]	
RCFL-H*4824(RGLE-12?ARM?)	39,500 [11.6]	28,000 [8.2]	11,500 [3.4]	11.50	14.00	75	1,225 [578]	
RCFL-H*4824(RGLR-07?BRQ?)	40,000 [11.7]	29,800 [8.7]	10,200 [3.0]	11.50	13.50	75	1,425 [672]	

① Highest sales volume tested combination required by D.O.E. test procedures.

[ ] Designates Metric Conversions

# Performance Data @ AHRI Standard Conditions—Cooling (con't.)

Model Numbers		80°F [26.5°C] DB/67°F [19.5°C] WB Indoor Air 95°F [35°C] DB Outdoor Air					Sound Rating dB	Indoor CFM [L/s]	
Outdoor Unit 13A*N	Indoor Coil and/or Air Handler	Total Capacity BTU/H [kW]	Net Sensible BTU/H [kW]	Net Latent BTU/H [kW]	EER	SEER			
Rev. 8/29/11	RCFL-H*4824(RGLR-10?BRM?)	39,500 [11.6]	27,800 [8.1]	11,700 [3.4]	11.50	14.00	75	1,200 [566]	
	RCFL-H*4824(RGLR-12?ARM?)	39,500 [11.6]	28,000 [8.2]	11,500 [3.4]	11.50	14.00	75	1,225 [578]	
	RCFL-H*4824(RGLT-07?BRQ?)	40,500 [11.9]	30,000 [8.8]	10,500 [3.1]	11.00	13.50	75	1,450 [684]	
	RCFL-H*4824(RGLT-10?BRM?)	39,500 [11.6]	28,200 [8.3]	11,300 [3.3]	11.50	14.00	75	1,250 [590]	
	RCFL-H*4824(RGLT-12?ARM?)	40,000 [11.7]	29,400 [8.6]	10,600 [3.1]	11.50	13.50	75	1,375 [649]	
	RCFL-H*4824(RGPE-07?BRQ?)	39,500 [11.6]	28,000 [8.2]	11,500 [3.4]	11.50	14.00	75	1,225 [578]	
	RCFL-H*4824(RGPE-10?BRM?)	39,500 [11.6]	28,000 [8.2]	11,500 [3.4]	11.50	14.00	75	1,225 [578]	
	RCFL-H*4824(RGPE-12?ARM?)	39,500 [11.6]	27,800 [8.1]	11,700 [3.4]	11.50	14.00	75	1,200 [566]	
	RCFL-H*4824(RGPT-07?BRQ?)	40,000 [11.7]	29,000 [8.5]	11,000 [3.2]	11.50	14.00	75	1,325 [625]	
	RCFL-H*4824(RGPT-10?BRM?)	39,500 [11.6]	28,000 [8.2]	11,500 [3.4]	11.50	14.00	75	1,225 [578]	
	RCFL-H*4824(RGPT-12?ARM?)	40,000 [11.7]	29,400 [8.6]	10,600 [3.1]	11.50	14.00	75	1,375 [649]	
	RCFL-H*4824(RGRM-09?ZAJ?)	39,000 [11.4]	27,600 [8.1]	11,400 [3.3]	11.00	13.00	75	1,225 [578]	
	RCFL-H*4824(RGRM-10?ZAJ?)	39,000 [11.4]	27,000 [7.9]	12,000 [3.5]	11.00	13.00	75	1,150 [543]	
	RCFL-H*4824(RGRM-12?RAJ?)	39,500 [11.6]	27,800 [8.1]	11,700 [3.4]	11.50	13.50	75	1,225 [578]	
	RCFL-H*4824(RGTM-07?RBG?)	40,000 [11.7]	28,800 [8.4]	11,200 [3.3]	11.50	13.50	75	1,325 [625]	
	RCFL-H*4824(RGTM-09?ZAJ?)	39,500 [11.6]	28,200 [8.3]	11,300 [3.3]	11.50	13.50	75	1,250 [590]	
	RCFL-H*4824(RGTM-10?RBJ?)	40,000 [11.7]	29,800 [8.7]	10,200 [3.0]	11.50	13.50	75	1,425 [672]	
	RCFL-H*4824(ROCA-070E03)	39,000 [11.4]	27,600 [8.1]	11,400 [3.3]	11.00	13.50	75	1,200 [566]	
	RCFL-H*4824(ROCA-070E04)	39,000 [11.4]	27,600 [8.1]	11,400 [3.3]	11.00	13.50	75	1,200 [566]	
	RCFL-H*4824(ROLA-070E03)	39,000 [11.4]	27,400 [8.0]	11,600 [3.4]	11.50	13.50	75	1,175 [554]	
	RCFL-H*4824(ROLA-070E04)	40,000 [11.7]	29,200 [8.6]	10,800 [3.2]	11.00	13.50	75	1,375 [649]	
	RCFL-H*4824(ROLA-115E05)	39,500 [11.6]	27,600 [8.1]	11,900 [3.5]	11.50	13.50	75	1,200 [566]	
	RCFL-H*4824+RXMD-C04	39,500 [11.6]	28,900 [8.5]	10,600 [3.1]	10.50	13.00	75	1,375 [649]	
	RBHP-24(RCHL-48A1)	39,000 [11.4]	28,350 [8.3]	10,650 [3.1]	11.50	14.00	75	1,350 [637]	
	42 (13AJN, 13ACN, 13ADN)	RCQD-4821(RGFE-09?ZCM?)	42,000 [12.3]	31,650 [9.3]	10,350 [3.0]	11.50	13.50	75	1,200 [566]
		RCQD-4821(RGFE-10?ZCM?)	42,000 [12.3]	31,800 [9.3]	10,200 [3.0]	11.50	13.50	75	1,225 [578]
		RCQD-4821(RGFG-09?ZCM?)	42,000 [12.3]	31,650 [9.3]	10,350 [3.0]	11.50	13.50	75	1,200 [566]
		RCQD-4821(RGFG-10?ZCM?)	42,000 [12.3]	31,700 [9.3]	10,300 [3.0]	11.50	13.50	75	1,200 [566]
		RCQD-4821(RGJF-06?MCK?)	41,500 [12.2]	31,200 [9.1]	10,300 [3.0]	11.00	13.00	75	1,200 [566]
		RCQD-4821(RGJF-07?MCK?)	41,500 [12.2]	31,250 [9.2]	10,250 [3.0]	11.00	13.00	75	1,200 [566]
		RCQD-4821(RGJF-09?ZCM?)	42,000 [12.3]	31,800 [9.3]	10,200 [3.0]	11.50	13.50	75	1,225 [578]
		RCQD-4821(RGJF-10?ZCM?)	42,000 [12.3]	31,650 [9.3]	10,350 [3.0]	11.50	13.50	75	1,200 [566]
		RCQD-4821(RGPE-05?BMK?)	41,500 [12.2]	31,200 [9.1]	10,300 [3.0]	11.00	13.00	75	1,200 [566]
		RCQD-4821(RGPE-07?AMK?)	42,000 [12.3]	31,850 [9.3]	10,150 [3.0]	11.00	13.00	75	1,225 [578]
		RCQD-4821(RGPE-07?BRQ?)	42,500 [12.5]	33,200 [9.7]	9,300 [2.7]	11.50	13.50	75	1,400 [661]
		RCQD-4821(RGPE-10?BRM?)	42,500 [12.5]	33,200 [9.7]	9,300 [2.7]	11.50	13.50	75	1,400 [661]
		RCQD-4821(RGPT-05?BMK?)	41,500 [12.2]	31,550 [9.2]	9,950 [2.9]	11.00	13.00	75	1,250 [590]
		RCQD-4821(RGPT-07?AMK?)	42,500 [12.5]	33,600 [9.8]	8,900 [2.6]	11.00	13.00	75	1,425 [672]
		RCQD-4821(RGPT-07?BRQ?)	42,500 [12.5]	32,850 [9.6]	9,650 [2.8]	11.50	14.00	75	1,325 [625]
		RCQD-4821(RGPT-10?BRM?)	42,500 [12.5]	32,400 [9.5]	10,100 [3.0]	11.50	14.00	75	1,250 [590]
RCQD-4821(RGRM-09?ZAJ?)		42,000 [12.3]	31,850 [9.3]	10,150 [3.0]	11.00	13.00	75	1,225 [578]	
RCQD-4821(RGTM-06?MAE?)		41,500 [12.2]	31,400 [9.2]	10,100 [3.0]	11.00	13.00	75	1,225 [578]	
RCQD-4821(RGTM-07?RBG?)		42,500 [12.5]	32,900 [9.6]	9,600 [2.8]	11.50	13.50	75	1,325 [625]	
RCQD-4821(RGTM-09?ZAJ?)		42,000 [12.3]	31,950 [9.4]	10,050 [2.9]	11.50	13.50	75	1,250 [590]	
RCQD-4821(ROCA-070E03)		42,000 [12.3]	31,700 [9.3]	10,300 [3.0]	11.50	13.50	75	1,200 [566]	
RCQD-4821(ROCA-070E04)		42,000 [12.3]	31,700 [9.3]	10,300 [3.0]	11.50	13.50	75	1,200 [566]	
RCQD-4821(ROLA-070E04)		42,500 [12.5]	33,200 [9.7]	9,300 [2.7]	11.50	13.50	75	1,375 [649]	
RCQD-4821(ROLA-115E05)		42,500 [12.5]	33,200 [9.7]	9,300 [2.7]	11.50	13.50	75	1,400 [661]	
RCQD-4824(RGFE-09?ZCM?)		42,000 [12.3]	31,650 [9.3]	10,350 [3.0]	11.50	13.50	75	1,200 [566]	
RCQD-4824(RGFE-10?ZCM?)		42,000 [12.3]	31,800 [9.3]	10,200 [3.0]	11.50	13.50	75	1,225 [578]	
RCQD-4824(RGFE-12?RCM?)		42,000 [12.3]	31,750 [9.3]	10,250 [3.0]	11.50	13.50	75	1,225 [578]	
RCQD-4824(RGFG-09?ZCM?)		42,000 [12.3]	31,650 [9.3]	10,350 [3.0]	11.50	13.50	75	1,200 [566]	
RCQD-4824(RGFG-10?ZCM?)		42,000 [12.3]	31,650 [9.3]	10,350 [3.0]	11.50	13.50	75	1,200 [566]	

① Highest sales volume tested combination required by D.O.E. test procedures.

[ ] Designates Metric Conversions

# Performance Data @ AHRI Standard Conditions—Cooling (con't.)

Model Numbers		80°F [26.5°C] DB/67°F [19.5°C] WB Indoor Air 95°F [35°C] DB Outdoor Air					Sound Rating dB	Indoor CFM [L/s]	
Outdoor Unit 13A*N	Indoor Coil and/or Air Handler	Total Capacity BTU/H [kW]	Net Sensible BTU/H [kW]	Net Latent BTU/H [kW]	EER	SEER			
Rev. 8/29/11	RCQD-4824(RGFG-12?RCM?)	43,000 [12.6]	34,150 [10.0]	8,850 [2.6]	11.50	13.50	75	1,450 [684]	
	RCQD-4824(RGJF-09?ZCM?)	42,000 [12.3]	31,750 [9.3]	10,250 [3.0]	11.50	13.50	75	1,225 [578]	
	RCQD-4824(RGJF-10?ZCM?)	42,000 [12.3]	31,650 [9.3]	10,350 [3.0]	11.50	13.50	75	1,200 [566]	
	RCQD-4824(RGJF-12?RCM?)	42,000 [12.3]	31,600 [9.3]	10,400 [3.0]	11.50	14.00	75	1,200 [566]	
	RCQD-4824(RGPE-07?BRQ?)	42,000 [12.3]	31,750 [9.3]	10,250 [3.0]	11.50	14.00	75	1,225 [578]	
	RCQD-4824(RGPE-10?BRM?)	42,000 [12.3]	31,750 [9.3]	10,250 [3.0]	11.50	14.00	75	1,225 [578]	
	RCQD-4824(RGPE-12?ARM?)	42,000 [12.3]	31,600 [9.3]	10,400 [3.0]	11.50	14.00	75	1,200 [566]	
	RCQD-4824(RGPT-07?BRQ?)	43,000 [12.6]	33,350 [9.8]	9,650 [2.8]	11.50	14.00	75	1,325 [625]	
	RCQD-4824(RGPT-10?BRM?)	42,500 [12.5]	32,550 [9.5]	9,950 [2.9]	11.50	14.00	75	1,275 [602]	
	RCQD-4824(RGPT-12?ARM?)	43,000 [12.6]	33,950 [9.9]	9,050 [2.7]	11.50	14.00	75	1,425 [672]	
	RCQD-4824(RGRM-09?ZAJ?)	42,000 [12.3]	31,850 [9.3]	10,150 [3.0]	11.50	13.50	75	1,225 [578]	
	RCQD-4824(RGRM-12?RAJ?)	42,000 [12.3]	31,800 [9.3]	10,200 [3.0]	11.50	13.50	75	1,225 [578]	
	RCQD-4824(RGTM-07?RBG?)	42,500 [12.5]	32,900 [9.6]	9,600 [2.8]	11.50	13.50	75	1,325 [625]	
	RCQD-4824(RGTM-09?ZAJ?)	42,000 [12.3]	31,900 [9.3]	10,100 [3.0]	11.50	13.50	75	1,250 [590]	
	RCQD-4824(RGTM-10?RBJ?)	42,000 [12.3]	31,750 [9.3]	10,250 [3.0]	11.50	14.00	75	1,225 [578]	
	RCQD-4824(ROCA-070E03)	42,000 [12.3]	31,650 [9.3]	10,350 [3.0]	11.50	13.50	75	1,200 [566]	
	RCQD-4824(ROCA-070E04)	42,000 [12.3]	31,650 [9.3]	10,350 [3.0]	11.50	13.50	75	1,200 [566]	
	RCQD-4824(ROLA-070E04)	42,500 [12.5]	33,200 [9.7]	9,300 [2.7]	11.50	13.50	75	1,375 [649]	
	RCQD-4824(ROLA-115E05)	42,000 [12.3]	31,600 [9.3]	10,400 [3.0]	11.50	14.00	75	1,200 [566]	
	42 (13AJN, 13ACN, 13ADN)	RHKL-HM3821(RCSL-H*4821)	39,500 [11.6]	27,800 [8.1]	11,700 [3.4]	11.50	14.00	75	1,200 [566]
RHKL-HM4821(RCSL-H*4821)		40,000 [11.7]	29,400 [8.6]	10,600 [3.1]	11.50	13.50	75	1,400 [661]	
RHLL-HM3821(RCSL-H*4821)		39,500 [11.6]	27,600 [8.1]	11,900 [3.5]	11.50	14.00	75	1,175 [554]	
RHLL-HM4821(RCSL-H*4821)		40,000 [11.7]	29,400 [8.6]	10,600 [3.1]	11.50	14.00	75	1,400 [661]	
RHSL-HM4221(RCSL-H*4821)		40,000 [11.7]	29,650 [8.7]	10,350 [3.0]	11.00	13.00	75	1,425 [672]	
48 (13AJN, 13ACN, 13ADN, 13AYN)		RCFL-H*4821+RXMD-C04 ①	47,500 [13.9]	34,400 [10.1]	13,100 [3.8]	10.50	13.00	73	1,575 [743]
		RCFL-A*4821(RGGE-09?ZCM?)	46,500 [13.6]	32,400 [9.5]	14,100 [4.1]	11.00	13.00	73	1,400 [661]
		RCFL-A*4821(RGLE-07?BRQ?)	47,000 [13.8]	32,600 [9.6]	14,400 [4.2]	11.00	13.00	73	1,400 [661]
		RCFL-A*4821(RGLE-10?BRM?)	47,000 [13.8]	32,800 [9.6]	14,200 [4.2]	11.50	13.50	73	1,400 [661]
		RCFL-A*4821(RGLR-07?BRQ?)	47,000 [13.8]	33,000 [9.7]	14,000 [4.1]	11.00	13.00	73	1,425 [672]
		RCFL-A*4821(RGLR-10?BRM?)	47,000 [13.8]	32,400 [9.5]	14,600 [4.3]	11.00	13.50	73	1,375 [649]
		RCFL-A*4821(RGLT-07?BRQ?)	47,000 [13.8]	33,000 [9.7]	14,000 [4.1]	11.00	13.00	73	1,425 [672]
		RCFL-A*4821(RGLT-10?BRM?)	47,000 [13.8]	32,600 [9.6]	14,400 [4.2]	11.00	13.00	73	1,400 [661]
		RCFL-A*4821(RGPE-07?BRQ?)	47,000 [13.8]	32,600 [9.6]	14,400 [4.2]	11.00	13.00	73	1,400 [661]
		RCFL-A*4821(RGPE-10?BRM?)	47,500 [13.9]	34,600 [10.1]	12,900 [3.8]	11.00	13.00	73	1,550 [731]
		RCFL-A*4821(RGPT-07?AMK?)	47,000 [13.8]	32,800 [9.6]	14,200 [4.2]	11.00	13.00	73	1,425 [672]
		RCFL-A*4821(RGPT-07?BRQ?)	48,000 [14.1]	34,800 [10.2]	13,200 [3.9]	11.50	13.50	73	1,550 [731]
		RCFL-A*4821(RGPT-10?BRM?)	47,000 [13.8]	32,600 [9.6]	14,400 [4.2]	11.00	13.50	73	1,400 [661]
		RCFL-A*4821(RGTM-07?RBG?)	47,000 [13.8]	33,400 [9.8]	13,600 [4.0]	11.00	13.00	73	1,475 [696]
		RCFL-A*4821(RGTM-09?ZAJ?)	46,500 [13.6]	32,400 [9.5]	14,100 [4.1]	11.00	13.00	73	1,400 [661]
	RCFL-A*4821(ROLA-070E04)	47,000 [13.8]	32,400 [9.5]	14,600 [4.3]	11.00	13.00	73	1,375 [649]	
	RCFL-A*4821(ROLA-115E05)	47,000 [13.8]	32,600 [9.6]	14,400 [4.2]	11.00	13.00	73	1,400 [661]	
	RCFL-A*4821+RXMD-C04	47,500 [13.9]	34,400 [10.1]	13,100 [3.8]	11.00	13.00	73	1,575 [743]	
	RCFL-A*4824(RGFE-12?RCM?)	47,000 [13.8]	33,000 [9.7]	14,000 [4.1]	11.00	13.00	73	1,450 [684]	
	RCFL-A*4824(RGFG-12?RCM?)	47,000 [13.8]	33,000 [9.7]	14,000 [4.1]	11.00	13.00	73	1,450 [684]	
	RCFL-A*4824(RGGE-09?ZCM?)	46,500 [13.6]	32,400 [9.5]	14,100 [4.1]	11.00	13.00	73	1,400 [661]	
	RCFL-A*4824(RGGE-12?RCM?)	47,000 [13.8]	32,400 [9.5]	14,600 [4.3]	11.00	13.00	73	1,375 [649]	
	RCFL-A*4824(RGLE-07?BRQ?)	47,000 [13.8]	32,600 [9.6]	14,400 [4.2]	11.00	13.00	73	1,400 [661]	
	RCFL-A*4824(RGLE-10?BRM?)	47,000 [13.8]	32,800 [9.6]	14,200 [4.2]	11.50	13.50	73	1,400 [661]	
	RCFL-A*4824(RGLE-12?ARM?)	47,000 [13.8]	33,000 [9.7]	14,000 [4.1]	11.50	13.50	73	1,425 [672]	
	RCFL-A*4824(RGLR-07?BRQ?)	47,000 [13.8]	33,000 [9.7]	14,000 [4.1]	11.00	13.00	73	1,425 [672]	
	RCFL-A*4824(RGLR-10?BRM?)	47,000 [13.8]	32,400 [9.5]	14,600 [4.3]	11.00	13.50	73	1,375 [649]	
	RCFL-A*4824(RGLR-12?ARM?)	47,000 [13.8]	33,000 [9.7]	14,000 [4.1]	11.50	13.50	73	1,425 [672]	
	RCFL-A*4824(RGLT-07?BRQ?)	47,000 [13.8]	33,000 [9.7]	14,000 [4.1]	11.00	13.00	73	1,425 [672]	

① Highest sales volume tested combination required by D.O.E. test procedures.

[ ] Designates Metric Conversions

# Performance Data @ AHRI Standard Conditions—Cooling (con't.)

Model Numbers		80°F [26.5°C] DB/67°F [19.5°C] WB Indoor Air 95°F [35°C] DB Outdoor Air					Sound Rating dB	Indoor CFM [L/s]
Outdoor Unit 13A*N	Indoor Coil and/or Air Handler	Total Capacity BTU/H [kW]	Net Sensible BTU/H [kW]	Net Latent BTU/H [kW]	EER	SEER		
Rev. 8/29/11	RCFL-A*4824(RGLT-10?BRM?)	47,000 [13.8]	32,600 [9.6]	14,400 [4.2]	11.00	13.00	73	1,400 [661]
	RCFL-A*4824(RGLT-12?ARM?)	47,000 [13.8]	32,200 [9.4]	14,800 [4.3]	11.50	13.50	73	1,350 [637]
	RCFL-A*4824(RGPE-07?BRQ?)	47,000 [13.8]	32,600 [9.6]	14,400 [4.2]	11.00	13.00	73	1,400 [661]
	RCFL-A*4824(RGPE-10?BRM?)	47,500 [13.9]	34,600 [10.1]	12,900 [3.8]	11.00	13.00	73	1,550 [731]
	RCFL-A*4824(RGPE-12?ARM?)	47,000 [13.8]	33,000 [9.7]	14,000 [4.1]	11.50	13.50	73	1,425 [672]
	RCFL-A*4824(RGPT-07?BRQ?)	48,000 [14.1]	34,800 [10.2]	13,200 [3.9]	11.50	13.50	73	1,550 [731]
	RCFL-A*4824(RGPT-10?BRM?)	47,000 [13.8]	33,000 [9.7]	14,000 [4.1]	11.50	13.50	73	1,425 [672]
	RCFL-A*4824(RGPT-12?ARM?)	47,000 [13.8]	32,200 [9.4]	14,800 [4.3]	11.50	13.50	73	1,350 [637]
	RCFL-A*4824(RGRM-12?RAJ?)	47,000 [13.8]	32,800 [9.6]	14,200 [4.2]	11.00	13.00	73	1,425 [672]
	RCFL-A*4824(RGTM-07?RBG?)	47,000 [13.8]	33,400 [9.8]	13,600 [4.0]	11.00	13.00	73	1,475 [696]
48 (13AJN, 13ACN, 13ADN, 13AYN)	RCFL-A*4824(RGTM-09?ZAJ?)	46,500 [13.6]	32,400 [9.5]	14,100 [4.1]	11.00	13.00	73	1,400 [661]
	RCFL-A*4824(RGTM-10?RBJ?)	47,000 [13.8]	32,800 [9.6]	14,200 [4.2]	11.00	13.00	73	1,425 [672]
	RCFL-A*4824(ROLA-070E04)	47,000 [13.8]	32,400 [9.5]	14,600 [4.3]	11.00	13.00	73	1,375 [649]
	RCFL-A*4824(ROLA-115E05)	47,000 [13.8]	32,600 [9.6]	14,400 [4.2]	11.00	13.00	73	1,400 [661]
	RCFL-A*4824+RXMD-C04	47,500 [13.9]	34,400 [10.1]	13,100 [3.8]	11.00	13.00	73	1,575 [743]
	RCFL-H*4821(RGGE-09?ZCM?)	46,500 [13.6]	32,400 [9.5]	14,100 [4.1]	11.00	13.00	73	1,400 [661]
	RCFL-H*4821(RGJF-09?ZCM?)	47,000 [13.8]	32,600 [9.6]	14,400 [4.2]	11.00	13.00	73	1,400 [661]
	RCFL-H*4821(RGLE-07?BRQ?)	47,000 [13.8]	32,600 [9.6]	14,400 [4.2]	11.00	13.00	73	1,400 [661]
	RCFL-H*4821(RGLE-10?BRM?)	47,000 [13.8]	32,800 [9.6]	14,200 [4.2]	11.50	13.50	73	1,400 [661]
	RCFL-H*4821(RGLR-07?BRQ?)	47,000 [13.8]	33,000 [9.7]	14,000 [4.1]	11.00	13.00	73	1,425 [672]
	RCFL-H*4821(RGLR-10?BRM?)	47,000 [13.8]	32,400 [9.5]	14,600 [4.3]	11.00	13.50	73	1,375 [649]
	RCFL-H*4821(RGLT-07?BRQ?)	47,000 [13.8]	33,000 [9.7]	14,000 [4.1]	11.00	13.00	73	1,425 [672]
	RCFL-H*4821(RGLT-10?BRM?)	47,000 [13.8]	32,600 [9.6]	14,400 [4.2]	11.00	13.00	73	1,400 [661]
	RCFL-H*4821(RGPE-07?BRQ?)	47,000 [13.8]	32,600 [9.6]	14,400 [4.2]	11.00	13.00	73	1,400 [661]
	RCFL-H*4821(RGPE-10?BRM?)	47,000 [13.8]	32,600 [9.6]	14,400 [4.2]	11.00	13.00	73	1,400 [661]
	RCFL-H*4821(RGPT-07?AMK?)	47,000 [13.8]	32,800 [9.6]	14,200 [4.2]	11.00	13.00	73	1,425 [672]
	RCFL-H*4821(RGPT-07?BRQ?)	48,000 [14.1]	34,800 [10.2]	13,200 [3.9]	11.50	13.50	73	1,550 [731]
	RCFL-H*4821(RGPT-10?BRM?)	47,000 [13.8]	33,000 [9.7]	14,000 [4.1]	11.50	13.50	73	1,425 [672]
	RCFL-H*4821(RGTM-07?RBG?)	47,000 [13.8]	33,400 [9.8]	13,600 [4.0]	11.00	13.00	73	1,475 [696]
	RCFL-H*4821(RGTM-09?ZAJ?)	47,000 [13.8]	32,400 [9.5]	14,600 [4.3]	11.00	13.00	73	1,400 [661]
	RCFL-H*4821(ROLA-070E04)	47,000 [13.8]	32,400 [9.5]	14,600 [4.3]	11.00	13.00	73	1,375 [649]
	RCFL-H*4821(ROLA-115E05)	47,000 [13.8]	32,600 [9.6]	14,400 [4.2]	11.00	13.00	73	1,400 [661]
	RCFL-H*4824(RGFE-12?RCM?)	47,000 [13.8]	33,000 [9.7]	14,000 [4.1]	11.00	13.00	73	1,450 [684]
	RCFL-H*4824(RGFG-12?RCM?)	47,000 [13.8]	33,000 [9.7]	14,000 [4.1]	11.00	13.00	73	1,450 [684]
	RCFL-H*4824(RGGE-09?ZCM?)	46,500 [13.6]	32,400 [9.5]	14,100 [4.1]	11.00	13.00	73	1,400 [661]
	RCFL-H*4824(RGGE-12?RCM?)	47,000 [13.8]	32,400 [9.5]	14,600 [4.3]	11.00	13.00	73	1,375 [649]
	RCFL-H*4824(RGJF-09?ZCM?)	47,000 [13.8]	32,600 [9.6]	14,400 [4.2]	11.00	13.00	73	1,400 [661]
	RCFL-H*4824(RGJF-12?RCM?)	47,500 [13.9]	34,400 [10.1]	13,100 [3.8]	11.00	13.00	73	1,575 [743]
	RCFL-H*4824(RGLE-07?BRQ?)	47,000 [13.8]	32,600 [9.6]	14,400 [4.2]	11.00	13.00	73	1,400 [661]
	RCFL-H*4824(RGLE-10?BRM?)	47,000 [13.8]	32,800 [9.6]	14,200 [4.2]	11.50	13.50	73	1,400 [661]
	RCFL-H*4824(RGLE-12?ARM?)	47,000 [13.8]	33,000 [9.7]	14,000 [4.1]	11.50	13.50	73	1,425 [672]
	RCFL-H*4824(RGLR-07?BRQ?)	47,000 [13.8]	33,000 [9.7]	14,000 [4.1]	11.00	13.00	73	1,425 [672]
	RCFL-H*4824(RGLR-10?BRM?)	47,000 [13.8]	32,400 [9.5]	14,600 [4.3]	11.00	13.50	73	1,375 [649]
	RCFL-H*4824(RGLR-12?ARM?)	47,000 [13.8]	33,000 [9.7]	14,000 [4.1]	11.50	13.50	73	1,425 [672]
	RCFL-H*4824(RGLT-07?BRQ?)	47,000 [13.8]	33,000 [9.7]	14,000 [4.1]	11.00	13.00	73	1,425 [672]
	RCFL-H*4824(RGLT-10?BRM?)	47,000 [13.8]	32,600 [9.6]	14,400 [4.2]	11.00	13.00	73	1,400 [661]
	RCFL-H*4824(RGLT-12?ARM?)	47,000 [13.8]	32,200 [9.4]	14,800 [4.3]	11.50	13.50	73	1,350 [637]
	RCFL-H*4824(RGPE-07?BRQ?)	47,000 [13.8]	32,600 [9.6]	14,400 [4.2]	11.00	13.00	73	1,400 [661]
	RCFL-H*4824(RGPE-10?BRM?)	47,500 [13.9]	34,600 [10.1]	12,900 [3.8]	11.00	13.00	73	1,550 [731]
	RCFL-H*4824(RGPE-12?ARM?)	47,000 [13.8]	33,000 [9.7]	14,000 [4.1]	11.50	13.50	73	1,425 [672]
RCFL-H*4824(RGPT-07?BRQ?)	48,000 [14.1]	34,800 [10.2]	13,200 [3.9]	11.50	13.50	73	1,550 [731]	
RCFL-H*4824(RGPT-10?BRM?)	47,000 [13.8]	33,000 [9.7]	14,000 [4.1]	11.50	13.50	73	1,425 [672]	
RCFL-H*4824(RGPT-12?ARM?)	47,000 [13.8]	32,200 [9.4]	14,800 [4.3]	11.50	13.50	73	1,350 [637]	

① Highest sales volume tested combination required by D.O.E. test procedures.

[ ] Designates Metric Conversions

# Performance Data @ AHRI Standard Conditions—Cooling (con't.)

Model Numbers		80°F [26.5°C] DB/67°F [19.5°C] WB Indoor Air 95°F [35°C] DB Outdoor Air					Sound Rating dB	Indoor CFM [L/s]
Outdoor Unit 13A*N	Indoor Coil and/or Air Handler	Total Capacity BTU/H [kW]	Net Sensible BTU/H [kW]	Net Latent BTU/H [kW]	EER	SEER		
Rev. 8/29/11	RCFL-H*4824(RGRM-12?RAJ?)	47,000 [13.8]	32,800 [9.6]	14,200 [4.2]	11.00	13.00	73	1,425 [672]
	RCFL-H*4824(RGTM-07?RBG?)	47,000 [13.8]	33,400 [9.8]	13,600 [4.0]	11.00	13.00	73	1,475 [696]
	RCFL-H*4824(RGTM-09?ZAJ?)	46,500 [13.6]	32,400 [9.5]	14,100 [4.1]	11.00	13.00	73	1,400 [661]
	RCFL-H*4824(RGTM-10?RBJ?)	47,000 [13.8]	32,800 [9.6]	14,200 [4.2]	11.00	13.00	73	1,425 [672]
	RCFL-H*4824(ROLA-070E04)	47,000 [13.8]	32,400 [9.5]	14,600 [4.3]	11.00	13.00	73	1,375 [649]
	RCFL-H*4824(ROLA-115E05)	47,000 [13.8]	32,600 [9.6]	14,400 [4.2]	11.00	13.00	73	1,400 [661]
	RCFL-H*4824+RXMD-C04	47,500 [13.9]	34,400 [10.1]	13,100 [3.8]	10.50	13.00	73	1,575 [743]
	RBHP-24(RCHL-48A1)	46,500 [13.6]	31,950 [9.4]	14,550 [4.3]	11.00	13.50	73	1,400 [661]
	RCQD-4821(RGPE-07?BRQ?)	48,500 [14.2]	35,950 [10.5]	12,550 [3.7]	11.50	13.00	73	1,400 [661]
	RCQD-4821(RGPE-10?BRM?)	49,000 [14.4]	37,650 [11.0]	11,350 [3.3]	11.50	13.00	73	1,550 [731]
	RCQD-4821(RGPT-07?BRQ?)	49,500 [14.5]	38,100 [11.2]	11,400 [3.3]	11.50	13.50	73	1,550 [731]
	RCQD-4821(RGPT-10?BRM?)	48,500 [14.2]	36,100 [10.6]	12,400 [3.6]	11.50	13.50	73	1,425 [672]
	RCQD-4821(ROLA-070E04)	48,000 [14.1]	35,300 [10.3]	12,700 [3.7]	11.50	13.00	73	1,375 [649]
	RCQD-4821(ROLA-115E05)	48,000 [14.1]	35,450 [10.4]	12,550 [3.7]	11.50	13.00	73	1,400 [661]
	RCQD-4821+RXMD-C04	48,500 [14.2]	37,250 [10.9]	11,250 [3.3]	10.50	13.00	73	1,500 [708]
	RCQD-4824(RGFE-12?RCM?)	48,500 [14.2]	36,300 [10.6]	12,200 [3.6]	11.50	13.00	73	1,450 [684]
	RCQD-4824(RGFG-12?RCM?)	48,500 [14.2]	36,300 [10.6]	12,200 [3.6]	11.50	13.00	73	1,450 [684]
	RCQD-4824(RGJF-09?ZCM?)	48,000 [14.1]	35,450 [10.4]	12,550 [3.7]	11.50	13.00	73	1,400 [661]
	RCQD-4824(RGJF-12?RCM?)	48,500 [14.2]	35,750 [10.5]	12,750 [3.7]	11.50	13.50	73	1,375 [649]
	RCQD-4824(RGPE-07?BRQ?)	48,500 [14.2]	35,900 [10.5]	12,600 [3.7]	11.50	13.50	73	1,400 [661]
	RCQD-4824(RGPE-10?BRM?)	48,500 [14.2]	35,900 [10.5]	12,600 [3.7]	11.50	13.50	73	1,400 [661]
	RCQD-4824(RGPE-12?ARM?)	49,000 [14.4]	37,250 [10.9]	11,750 [3.4]	11.50	13.50	73	1,525 [720]
	RCQD-4824(RGPT-07?BRQ?)	49,500 [14.5]	38,100 [11.2]	11,400 [3.3]	11.50	13.50	73	1,550 [731]
	RCQD-4824(RGPT-10?BRM?)	48,500 [14.2]	36,250 [10.6]	12,250 [3.6]	11.50	13.50	73	1,450 [684]
	RCQD-4824(RGPT-12?ARM?)	48,500 [14.2]	35,850 [10.5]	12,650 [3.7]	11.50	13.50	73	1,400 [661]
	RCQD-4824(RGRM-12?RAJ?)	48,500 [14.2]	36,150 [10.6]	12,350 [3.6]	11.50	13.00	73	1,425 [672]
	RCQD-4824(RGTM-07?RBG?)	48,500 [14.2]	36,500 [10.7]	12,000 [3.5]	11.50	13.00	73	1,475 [696]
	RCQD-4824(RGTM-09?ZAJ?)	48,000 [14.1]	35,450 [10.4]	12,550 [3.7]	11.50	13.00	73	1,400 [661]
	RCQD-4824(RGTM-10?RBJ?)	48,500 [14.2]	36,100 [10.6]	12,400 [3.6]	11.50	13.00	73	1,425 [672]
	RCQD-4824(ROLA-070E04)	48,000 [14.1]	35,250 [10.3]	12,750 [3.7]	11.50	13.00	73	1,375 [649]
	RCQD-4824(ROLA-115E05)	48,500 [14.2]	35,950 [10.5]	12,550 [3.7]	11.50	13.00	73	1,400 [661]
	RCQD-4824+RXMD-C04	48,500 [14.2]	37,250 [10.9]	11,250 [3.3]	10.50	13.00	73	1,500 [708]
	RHKL-HM4821(RCSL-H*4821)	47,000 [13.8]	32,800 [9.6]	14,200 [4.2]	11.50	13.50	73	1,400 [661]
	RHLL-HM4821(RCSL-H*4821)	46,500 [13.6]	32,150 [9.4]	14,350 [4.2]	11.50	14.00	73	1,450 [684]
RHSL-HM4821(RCSL-H*4821)	46,000 [13.5]	33,300 [9.8]	12,700 [3.7]	10.50	13.00	73	1,550 [731]	
RHKL-HM4824(RCSL-H*4824)	48,500 [14.2]	35,400 [10.4]	13,100 [3.8]	11.50	13.50	73	1,625 [767]	
RHKL-HM6024(RCSL-H*4824)	48,000 [14.1]	34,800 [10.2]	13,200 [3.9]	11.50	14.00	73	1,600 [755]	
RHLL-HM4824(RCSL-H*4824)	48,500 [14.2]	35,400 [10.4]	13,100 [3.8]	11.50	14.00	73	1,625 [767]	
RHSL-HM4824(RCSL-H*4824)	46,000 [13.5]	33,300 [9.8]	12,700 [3.7]	10.50	13.00	73	1,550 [731]	
60 (13AJN, 13ACN, 13ADN, 13AYN)	RCFL-H*6024+RXMD-C04 ①	56,500 [16.6]	38,950 [11.4]	17,550 [5.1]	10.50	13.00	74	1,525 [720]
	RCFL-A*6024(RGGE-12?RCM?)	57,000 [16.7]	40,000 [11.7]	17,000 [5.0]	10.50	13.00	74	1,575 [743]
	RCFL-A*6024(RGLE-07?BRQ?)	57,000 [16.7]	40,000 [11.7]	17,000 [5.0]	10.50	13.00	74	1,600 [755]
	RCFL-A*6024(RGLE-10?BRM?)	57,500 [16.8]	40,000 [11.7]	17,500 [5.1]	10.50	13.00	74	1,600 [755]
	RCFL-A*6024(RGLE-12?ARM?)	57,500 [16.8]	40,000 [11.7]	17,500 [5.1]	10.50	13.00	74	1,600 [755]
	RCFL-A*6024(RGLR-07?BRQ?)	57,500 [16.8]	40,500 [11.9]	17,000 [5.0]	10.50	13.00	74	1,625 [767]
	RCFL-A*6024(RGLR-10?BRM?)	57,000 [16.7]	40,000 [11.7]	17,000 [5.0]	10.50	13.00	74	1,575 [743]
	RCFL-A*6024(RGLR-12?ARM?)	57,500 [16.8]	40,000 [11.7]	17,500 [5.1]	10.50	13.00	74	1,600 [755]
	RCFL-A*6024(RGLT-12?ARM?)	57,500 [16.8]	41,500 [12.2]	16,000 [4.7]	10.50	13.00	74	1,700 [802]
	RCFL-A*6024(RGPE-07?BRQ?)	57,000 [16.7]	40,000 [11.7]	17,000 [5.0]	10.50	13.00	74	1,600 [755]
	RCFL-A*6024(RGPE-10?BRM?)	57,500 [16.8]	40,500 [11.9]	17,000 [5.0]	10.50	13.00	74	1,625 [767]
	RCFL-A*6024(RGPE-12?ARM?)	57,500 [16.8]	40,500 [11.9]	17,000 [5.0]	10.50	13.00	74	1,625 [767]
	RCFL-A*6024(RGPT-10?BRM?)	57,500 [16.8]	41,500 [12.2]	16,000 [4.7]	10.50	13.00	74	1,700 [802]
	RCFL-A*6024(RGPT-12?ARM?)	57,500 [16.8]	41,500 [12.2]	16,000 [4.7]	10.50	13.00	74	1,700 [802]

① Highest sales volume tested combination required by D.O.E. test procedures.

[ ] Designates Metric Conversions

## Performance Data @ AHRI Standard Conditions—Cooling (con't.)

Model Numbers		80°F [26.5°C] DB/67°F [19.5°C] WB Indoor Air 95°F [35°C] DB Outdoor Air					Sound Rating dB	Indoor CFM [L/s]
Outdoor Unit 13A*N	Indoor Coil and/or Air Handler	Total Capacity BTU/H [kW]	Net Sensible BTU/H [kW]	Net Latent BTU/H [kW]	EER	SEER		
Rev. 8/29/11	RCFL-A*6024+RXMD-C04	56,500 [16.6]	38,950 [11.4]	17,550 [5.1]	10.50	13.00	74	1,525 [720]
	RCFL-H*6024(RGGE-12?RCM?)	57,000 [16.7]	40,000 [11.7]	17,000 [5.0]	10.50	13.00	74	1,575 [743]
60 (13AJN, 13ACN, 13ADN, 13AYN)	RCFL-H*6024(RGJF-12?RCM?)	57,000 [16.7]	40,000 [11.7]	17,000 [5.0]	10.50	13.00	74	1,575 [743]
	RCFL-H*6024(RGLE-07?BRQ?)	57,000 [16.7]	40,000 [11.7]	17,000 [5.0]	10.50	13.00	74	1,600 [755]
	RCFL-H*6024(RGLE-10?BRM?)	57,500 [16.8]	40,000 [11.7]	17,500 [5.1]	10.50	13.00	74	1,600 [755]
	RCFL-H*6024(RGLE-12?ARM?)	57,500 [16.8]	40,000 [11.7]	17,500 [5.1]	10.50	13.00	74	1,600 [755]
	RCFL-H*6024(RGLR-07?BRQ?)	57,500 [16.8]	40,500 [11.9]	17,000 [5.0]	10.50	13.00	74	1,625 [767]
	RCFL-H*6024(RGLR-10?BRM?)	57,000 [16.7]	40,000 [11.7]	17,000 [5.0]	10.50	13.00	74	1,575 [743]
	RCFL-H*6024(RGLR-12?ARM?)	57,500 [16.8]	40,000 [11.7]	17,500 [5.1]	10.50	13.00	74	1,600 [755]
	RCFL-H*6024(RGLT-12?ARM?)	57,500 [16.8]	41,500 [12.2]	16,000 [4.7]	10.50	13.00	74	1,700 [802]
	RCFL-H*6024(RGPE-07?BRQ?)	57,000 [16.7]	40,000 [11.7]	17,000 [5.0]	10.50	13.00	74	1,600 [755]
	RCFL-H*6024(RGPE-10?BRM?)	57,500 [16.8]	40,500 [11.9]	17,000 [5.0]	10.50	13.00	74	1,625 [767]
	RCFL-H*6024(RGPE-12?ARM?)	57,500 [16.8]	40,500 [11.9]	17,000 [5.0]	10.50	13.00	74	1,625 [767]
	RCFL-H*6024(RGPT-10?BRM?)	57,500 [16.8]	41,500 [12.2]	16,000 [4.7]	10.50	13.00	74	1,700 [802]
	RCFL-H*6024(RGPT-12?ARM?)	57,500 [16.8]	41,500 [12.2]	16,000 [4.7]	10.50	13.00	74	1,700 [802]
	RBHP-25(RCHL-60A1)	57,500 [16.8]	42,150 [12.3]	15,350 [4.5]	11.00	13.00	74	1,800 [849]
	RCQD-6024(RGPT-07?BRQ?)	56,000 [16.4]	38,800 [11.4]	17,200 [5.0]	10.50	13.00	74	1,550 [731]
	RHKL-HM6024(RCSL-H*6024)	60,500 [17.7]	46,550 [13.6]	13,950 [4.1]	11.50	13.50	74	1,800 [849]
RHLL-HM6024(RCSL-H*6024)	60,500 [17.7]	46,550 [13.6]	13,950 [4.1]	11.50	13.50	74	1,800 [849]	

① Highest sales volume tested combination required by D.O.E. test procedures.

[ ] Designates Metric Conversions

# Electrical and Physical Data

Model Number 13AJN	ELECTRICAL							PHYSICAL					
	Phase Frequency (Hz) Voltage (Volts)	Compressor		Fan Motor Full Load Amperes (FLA)	Minimum Circuit Ampacity Amperes	Fuse or HACR Circuit Breaker		Outdoor Coil			Refrigerant Per Circuit Oz. [g]	Weight	
		Rated Load Amperes (RLA)	Locked Rotor Amperes (LRA)			Minimum Amperes	Maximum Amperes	Face Area Sq. Ft. [m2]	No. Rows	CFM [L/s]		Net Lbs. [kg]	Shipping Lbs. [kg]
Rev. 8/29/2011													
18	1-60-208/230	9/9	46	0.6	12/12	15/15	20/20	7.13 [0.66]	1	1415 [668]	67.4 [1911]	120 [54.4]	128 [54.4]
24	1-60-208/230	13.5/13.5	58.3	0.6	18/18	25/25	30/30	8.43 [0.78]	1	1665 [786]	67.8 [1922]	121 [54.9]	129 [54.9]
30	1-60-208/230	12.8/12.8	64	0.8	17/17	25/25	25/25	8.70 [0.81]	1	2075 [979]	75.0 [2126]	139 [63.1]	147 [63.1]
36	1-60-208/230	16.7/16.7	79	0.8	22/22	30/30	35/35	13.72 [1.27]	1	2540 [1199]	90.6 [2569]	149 [67.6]	157 [67.6]
42	1-60-208/230	17.9/17.9	112	1.2	24/24	30/30	40/40	13.72 [1.27]	1	2540 [1199]	106.0 [3005]	149 [67.6]	157 [67.6]
48	1-60-208/230	21.8/21.8	117	1.2	29/29	35/35	50/50	16.39 [1.52]	1	3290 [1553]	116.1 [3291]	188 [85.3]	192 [85.3]
60	1-60-208/230	26.4/26.4	134	1.2	35/35	45/45	60/60	19.17 [1.78]	1	3380 [1595]	157.2 [4457]	223 [101.2]	234 [101.2]

Model Number 13ACN	ELECTRICAL							PHYSICAL					
	Phase Frequency (Hz) Voltage (Volts)	Compressor		Fan Motor Full Load Amperes (FLA)	Minimum Circuit Ampacity Amperes	Fuse or HACR Circuit Breaker		Outdoor Coil			Refrigerant Per Circuit Oz. [g]	Weight	
		Rated Load Amperes (RLA)	Locked Rotor Amperes (LRA)			Minimum Amperes	Maximum Amperes	Face Area Sq. Ft. [m2]	No. Rows	CFM [L/s]		Net Lbs. [kg]	Shipping Lbs. [kg]
Rev. 8/29/2011													
36	3-60-208/230	10.4/10.4	73	0.8	14/14	20/20	20/20	13.72 [1.27]	1	2540 [1199]	90.6 [2569]	149 [67.6]	157 [67.6]
42	3-60-208/230	13.2/13.2	88	1.2	18/18	25/25	30/30	13.72 [1.27]	1	2540 [1199]	106.0 [3005]	149 [67.6]	157 [67.6]
48	3-60-208/230	13.7/13.7	83.1	1.2	19/19	25/25	30/30	16.39 [1.52]	1	3290 [1553]	116.1 [3291]	188 [85.3]	192 [85.3]
60	3-60-208/230	16/16	110	1.2	22/22	30/30	35/35	19.17 [1.78]	1	3380 [1595]	157.2 [4457]	223 [101.2]	234 [101.2]

Model Number 13ADN	ELECTRICAL							PHYSICAL					
	Phase Frequency (Hz) Voltage (Volts)	Compressor		Fan Motor Full Load Amperes (FLA)	Minimum Circuit Ampacity Amperes	Fuse or HACR Circuit Breaker		Outdoor Coil			Refrigerant Per Circuit Oz. [g]	Weight	
		Rated Load Amperes (RLA)	Locked Rotor Amperes (LRA)			Minimum Amperes	Maximum Amperes	Face Area Sq. Ft. [m2]	No. Rows	CFM [L/s]		Net Lbs. [kg]	Shipping Lbs. [kg]
Rev. 8/29/2011													
36	3-60-460	5.8/5.8	38	0.35	8/8	15/15	15/15	13.72 [1.27]	1	2540 [1199]	90.6 [2569]	149 [67.6]	157 [67.6]
42	3-60-460	6/6	44	0.8	9/9	15/15	15/15	13.72 [1.27]	1	2540 [1199]	106.0 [3005]	149 [67.6]	157 [67.6]
48	3-60-460	6.2/6.2	41	0.8	9/9	15/15	15/15	16.39 [1.52]	1	3290 [1553]	116.1 [3291]	188 [85.3]	192 [85.3]
60	3-60-460	7.8/7.8	52	0.8	11/11	15/15	15/15	19.17 [1.78]	1	3380 [1595]	157.2 [4457]	223 [101.2]	234 [101.2]

Model Number 13AYN	ELECTRICAL							PHYSICAL					
	Phase Frequency (Hz) Voltage (Volts)	Compressor		Fan Motor Full Load Amperes (FLA)	Minimum Circuit Ampacity Amperes	Fuse or HACR Circuit Breaker		Outdoor Coil			Refrigerant Per Circuit Oz. [g]	Weight	
		Rated Load Amperes (RLA)	Locked Rotor Amperes (LRA)			Minimum Amperes	Maximum Amperes	Face Area Sq. Ft. [m2]	No. Rows	CFM [L/s]		Net Lbs. [kg]	Shipping Lbs. [kg]
Rev. 8/29/2011													
48	3-60-575	4.8/4.8	33	0.8	7/7	15/15	15/15	16.39 [1.52]	1	3290 [1553]	116.1 [3291]	188 [85.3]	192 [85.3]
60	3-60-575	5.7/5.7	38.9	0.8	8/8	15/15	15/15	19.17 [1.78]	1	3380 [1595]	157.2 [4457]	223 [101.2]	234 [101.2]

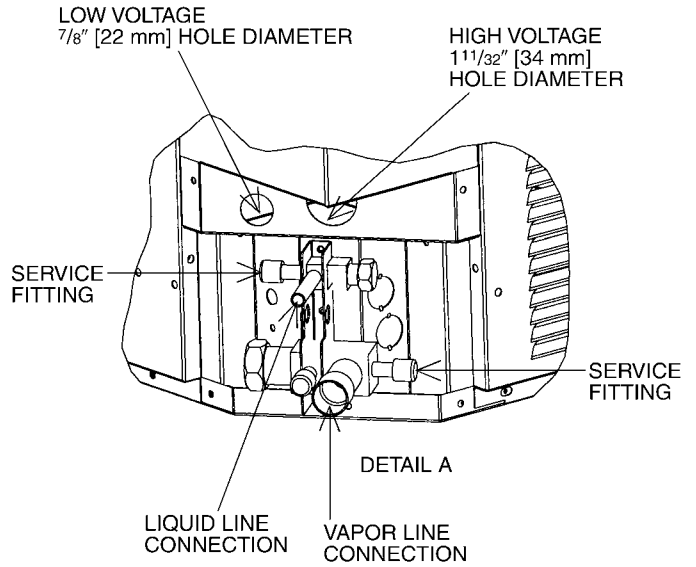
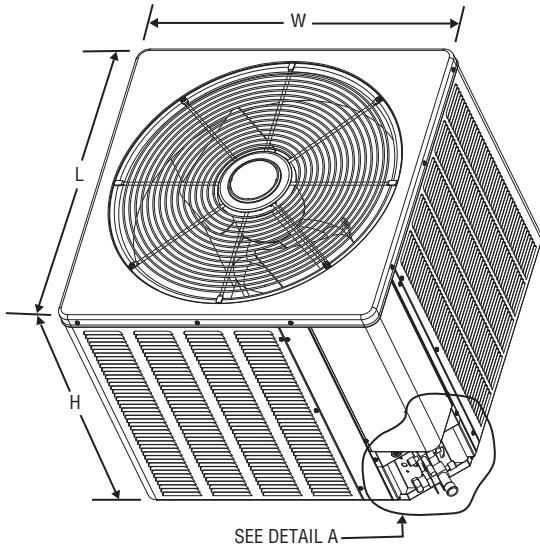
NOTE: Factory Refrigerant Charge includes refrigerant for 15 feet of standard line set.

[ ] Designates Metric Conversions

# Unit Dimensions

Model No. 13A*N	Unit Dimensions		
	Width "W" Inches	Length "L" Inches	Height "H" Inches
18, 24	23 <sup>5</sup> / <sub>8</sub> [600]	23 <sup>5</sup> / <sub>8</sub> [600]	24 <sup>1</sup> / <sub>4</sub> [616]
30, 36, 42	27 <sup>5</sup> / <sub>8</sub> [702]	27 <sup>5</sup> / <sub>8</sub> [702]	24 <sup>1</sup> / <sub>4</sub> [616]
48	31 <sup>5</sup> / <sub>8</sub> [803]	31 <sup>5</sup> / <sub>8</sub> [803]	27 <sup>15</sup> / <sub>16</sub> [710]
60	31 <sup>5</sup> / <sub>8</sub> [803]	31 <sup>5</sup> / <sub>8</sub> [803]	35 <sup>15</sup> / <sub>16</sub> [913]

[ ] Designates Metric Conversions



# Condensing Unit Refrigerant Line Size Information

Liquid Line Sizing (R-410A)														
System Capacity	Liquid Line Connection Size (Inch I.D.)	Line Size (Inch O.D.) [mm]	Liquid Line Size – Outdoor Unit Above Indoor Coil (Cooling Only—Does not apply to Heat Pumps)						Liquid Line Size – Outdoor Unit Below Indoor Coil					
			Total Equivalent Length—Feet [m]						Total Equivalent Length—Feet [m]					
			25 [7.62]	50 [15.24]	75 [22.86]	100 [30.48]	125 [38.10]	150 [45.72]	25 [7.62]	50 [15.24]	75 [22.86]	100 [30.48]	125 [38.10]	150 [45.72]
			Minimum Vertical Separation—Feet [m]						Maximum Vertical Separation—Feet [m]					
1 1/2 Ton	3/8" [9.53]	1/4 [6.35]	0	0	0	0	8 [2.44]	24 [7.32]	25 [7.62]	40 [12.19]	25 [7.62]	9 [2.74]	N/A	N/A
		5/16 [7.94]	0	0	0	0	0	0	25 [7.62]	50 [15.24]	62 [18.90]	58 [17.68]	53 [16.15]	49 [14.94]
		3/8* [9.53]	0	0	0	0	0	0	25 [7.62]	50 [15.24]	75 [22.86]	72 [21.95]	70 [21.34]	68 [20.73]
2 Ton	3/8" [9.53]	1/4 [6.35]	0	3 [0.91]	29 [8.84]	55 [16.76]	81 [24.69]	108 [32.92]	23 [7.01]	N/A	N/A	N/A	N/A	N/A
		5/16 [7.94]	0	0	0	0	0	0	25 [7.62]	36 [10.97]	29 [8.84]	23 [7.01]	16 [4.88]	9 [2.74]
		3/8* [9.53]	0	0	0	0	0	0	25 [7.62]	50 [15.24]	72 [21.95]	70 [21.34]	68 [20.73]	65 [19.81]
2 1/2 Ton	3/8" [9.53]	1/4 [6.35]	0	14 [4.27]	56 [17.07]	98 [29.87]	N/A	N/A	25 [7.62]	N/A	N/A	N/A	N/A	N/A
		5/16 [7.94]	0	0	0	0	0	0	25 [7.62]	49 [14.94]	38 [11.58]	27 [8.23]	17 [5.18]	6 [1.83]
		3/8* [9.53]	0	0	0	0	0	0	25 [7.62]	50 [15.24]	68 [20.73]	65 [19.81]	62 [18.90]	58 [17.68]
3 Ton	3/8" [9.53]	5/16 [7.94]	0	0	0	0	0	9 [2.74]	25 [7.62]	50 [15.24]	37 [11.28]	22 [6.71]	7 [2.13]	N/A
		3/8* [9.53]	0	0	0	0	0	0	25 [7.62]	50 [15.24]	68 [20.73]	63 [19.20]	58 [17.68]	53 [16.15]
3 1/2 Ton	3/8" [9.53]	5/16 [7.94]	0	0	0	16 [4.88]	35 [10.67]	54 [16.46]	25 [7.62]	23 [7.01]	4 [1.22]	N/A	N/A	N/A
		3/8* [9.53]	0	0	0	0	0	0	25 [7.62]	50 [15.24]	43 [13.11]	36 [10.97]	30 [9.14]	24 [7.32]
4 Ton	3/8" [9.53]	3/8* [9.53]	0	0	0	0	0	0	25 [7.62]	46 [14.02]	38 [11.58]	30 [9.14]	22 [6.71]	15 [4.57]
		1/2 [12.57]	0	0	0	0	0	0	25 [7.62]	50 [15.24]	56 [17.07]	55 [16.76]	53 [16.15]	52 [15.85]
5 Ton	3/8" [9.53]	3/8* [9.53]	0	0	0	0	0	0	25 [7.62]	50 [15.24]	56 [17.07]	44 [13.41]	32 [9.75]	20 [6.10]
		1/2 [12.57]	0	0	0	0	0	0	25 [7.62]	50 [15.24]	75 [22.86]	81 [24.69]	79 [24.08]	76 [23.16]

NOTES: \*Standard line size  
N/A = Application not recommended.

Suction Line Length/Size versus Capacity Multiplier (R-410A)									
Unit Size		1 1/2 Ton	2 Ton	2 1/2 Ton	3 Ton	3 1/2 Ton	4 Ton	5 Ton	
Suction Line Connection Size		3/4" [19.05] I.D.				7/8" [22.23] I.D.			
Suction Line Run—Feet [m]		5/8" [15.88 mm] O.D. Opt. 3/4" [19.05 mm] O.D. Std.*		5/8" [15.88 mm] O.D. Opt. 3/4" [19.05 mm] O.D. Std.* 7/8" [22.23 mm] O.D. Opt.		3/4" [19.05 mm] O.D. Opt. 7/8" [22.23 mm] O.D. Std.*		7/8" [22.23 mm] O.D. Opt. 1 1/8" [28.58 mm] O.D. Std.*	
25' [7.62]	Optional	1.00	1.00	1.00	1.00	1.00	1.00	1.00	
	Standard	1.00	1.00	1.00	1.00	1.00	1.00	1.00	
	Optional	—	—	1.00	—	—	—	—	
50' [15.24]	Optional	0.98	0.98	0.96	0.98	0.99	0.99	0.99	
	Standard	0.99	0.99	0.98	0.99	0.99	0.99	0.99	
	Optional	—	—	0.99	—	—	—	—	
100' [30.48]	Optional	0.95	0.95	0.94	0.96	0.96	0.96	0.97	
	Standard	0.96	0.96	0.96	0.97	0.98	0.98	0.98	
	Optional	—	—	0.97	—	—	—	—	
150' [45.72]	Optional	0.92	0.92	0.91	0.94	0.94	0.95	0.94	
	Standard	0.93	0.94	0.93	0.95	0.96	0.96	0.97	
	Optional	—	—	0.95	—	—	—	—	

NOTES: \*Standard line size  
Using suction line larger than shown in chart will result in poor oil return and is not recommended.

[ ] Designates Metric Conversions

**BEFORE PURCHASING THIS APPLIANCE, READ IMPORTANT ENERGY COST AND EFFICIENCY INFORMATION AVAILABLE FROM YOUR RETAILER.**

## GENERAL TERMS OF LIMITED WARRANTY

Rheem will furnish a replacement for any part of this product which fails in normal use and service within the applicable period stated, in accordance with the terms of the limited warranty.

Conditional Compressor\*  
(Registration Required).....Ten (10) Years  
Any Other Part .....Five (5) Years  
Conditional Parts\* (Registration Required) ....Ten (10) Years

\*For Complete Details of the Limited Warranty, Including Applicable Terms and Conditions, See Your Local Installer or visit [www.Rheem.com](http://www.Rheem.com).

## NOTES

## NOTES

**Before proceeding with installation, refer to installation instructions packaged with each model, as well as complying with all Federal, State, Provincial, and Local codes, regulations, and practices.**

**Rheem Heating,  
Cooling and  
Water Heating**

P.O. Box 17010, Fort Smith, AR 72917



*"In keeping with its policy of continuous progress and product improvement, Rheem reserves the right to make changes without notice."*