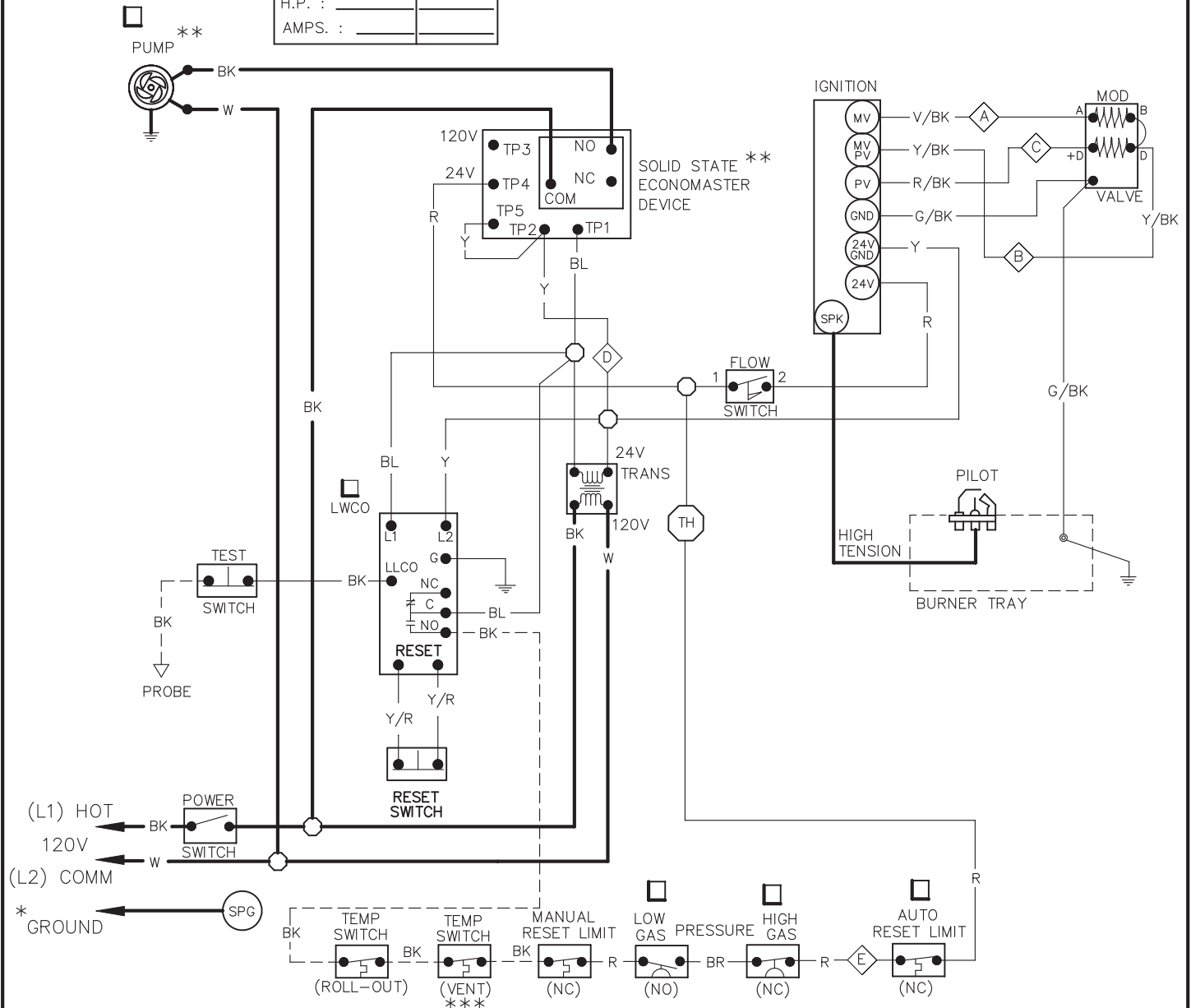


PUMP DATA	
FACTORY	FIELD
MODEL :	
H.P. :	
AMPS. :	



NOTES: * USE GROUND CONNECTION PROVIDED. FAILURE TO PROVIDE PROPER GROUND MAY RESULT IN LOCK-OUT ALL GROUND \perp TERMINATE AT $\text{\textcircled{SPG}}$.

****** PUMP USED MUST BE RATED 10 AMPS MAX OR 3/4 HP MAX. PUMP DELAY ADJUSTIBLE BETWEEN 3 AND 10 MINUTES.

******* VENT TEMP SWITCH ONLY PROVIDED ON INDOOR BOILERS

$\text{\textcircled{A}}$ - $\text{\textcircled{E}}$ CONNECTIONS FOR OPTIONAL E-4 ALARM PANEL.

CHECK CONTROLS PROVIDED (WIRED AS SHOWN)

REPLACE WIRING WITH 105°C WIRE OR ITS EQUIVALENT AND 150°C AS NOTED.

KEY	
————	24V 105°C
-----	24V 150°C
————	120V 105°C
$\text{\textcircled{O}}$	WIRE NUT
$\text{\textcircled{SPG}}$	GROUND
BK	BLACK
BR	BROWN
R	RED
O	ORANGE
Y	YELLOW
G	GREEN
BL	BLUE
V	VIOLET
W	WHITE

CHECKED BY:	
APPROVED BY:	
ORIG E.O.	3311
	08/15/00
CHG E.O.	5223
	08/12/14
Raypak	

WIRING DIAGRAM IID ECONOMASTER FIRING MODE - MECHANICAL MODULATING

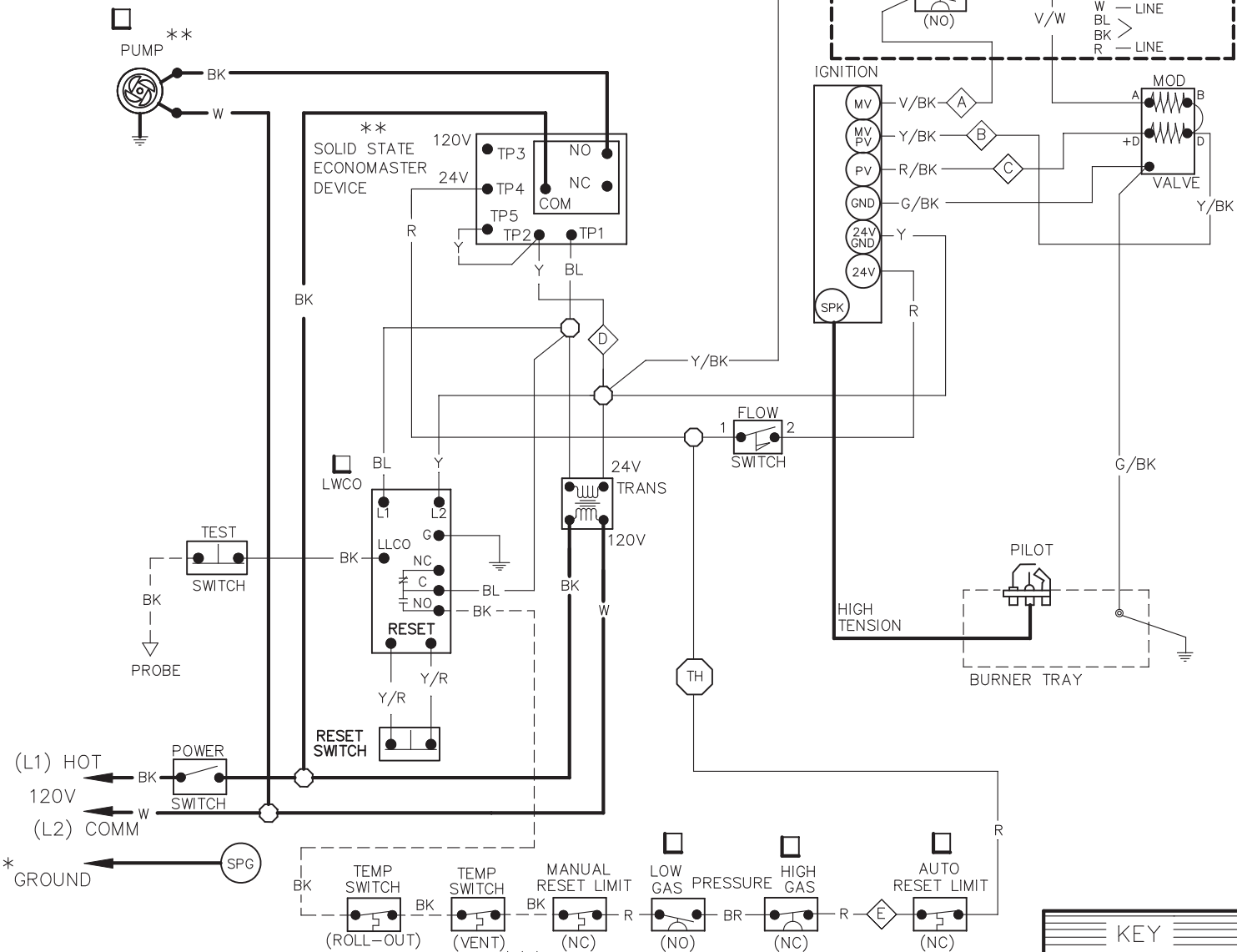
INPUTS: 181,000 THRU 264,000 BTUH

SIZE: **182A/260A**

TYPE: **WH2**

152505 | **5**

PUMP DATA	
FACTORY	FIELD
MODEL :	
H.P. :	
AMPS. :	



NOTES: * **USE GROUND CONNECTION PROVIDED. FAILURE TO PROVIDE PROPER GROUND MAY RESULT IN LOCK-OUT ALL GROUND \perp TERMINATE AT $\text{\textcircled{SPG}}$.**

** PUMP USED MUST BE RATED 10 AMPS MAX OR 3/4 HP MAX. PUMP DELAY ADJUSTABLE BETWEEN 3 AND 10 MINUTES.

*** VENT TEMP SWITCH ONLY PROVIDED ON INDOOR BOILERS

$\text{\textcircled{A}}$ - $\text{\textcircled{E}}$ CONNECTIONS FOR OPTIONAL E-4 ALARM PANEL.

CHECK CONTROLS PROVIDED (WIRED AS SHOWN)

REPLACE WIRING WITH 105°C WIRE OR ITS EQUIVALENT AND 150°C AS NOTED.

KEY	
—	24V 105°C
- - -	24V 150°C
—	120V 105°C
$\text{\textcircled{O}}$	WIRE NUT
$\text{\textcircled{SPG}}$	GROUND
BK	BLACK
BR	BROWN
R	RED
O	ORANGE
Y	YELLOW
G	GREEN
BL	BLUE
V	VIOLET
W	WHITE

CHECKED BY:
APPROVED BY:
ORIG E.O. 3311
08/15/00
CHG E.O. 5223
08/12/14

WIRING DIAGRAM IID ECONO POWER VENT FIRING MODE - MECHANICAL MODULATING

INPUTS: 181,000 THRU 264,000 BTUH

SIZE: **182A/260A**

TYPE: **WH2**

152505 | 5

