

NOTES: * USE GROUND CONNECTION PROVIDED. FAILURE TO PROVIDE PROPER GROUND MAY RESULT IN LOCK-OUT. ALL GROUND \perp TERMINATE AT SPG .

** PUMP MUST BE RATED 10 AMPS MAX OR 3/4 HP MAX. PUMP DELAY ADJUSTABLE BETWEEN 3 AND 10 MINUTES.

*** FOR TWO STAGE OPERATION OR MULTIPLE BOILER SYSTEM, SEE INSTALLATION AND OPERATING INSTRUCTION MANUAL.

Δ - Δ CONNECTIONS FOR OPTIONAL E-4 ALARM PANEL.

CHECK CONTROLS PROVIDED (WIRED AS SHOWN)

REPLACE WIRING WITH 105°C WIRE ONLY

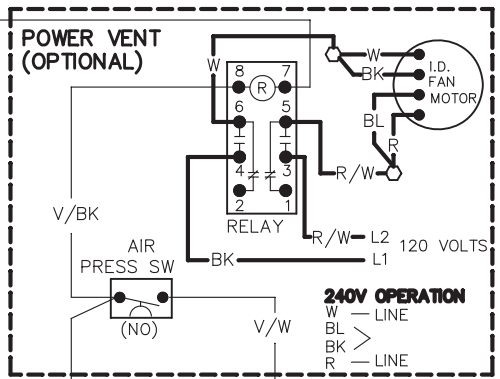
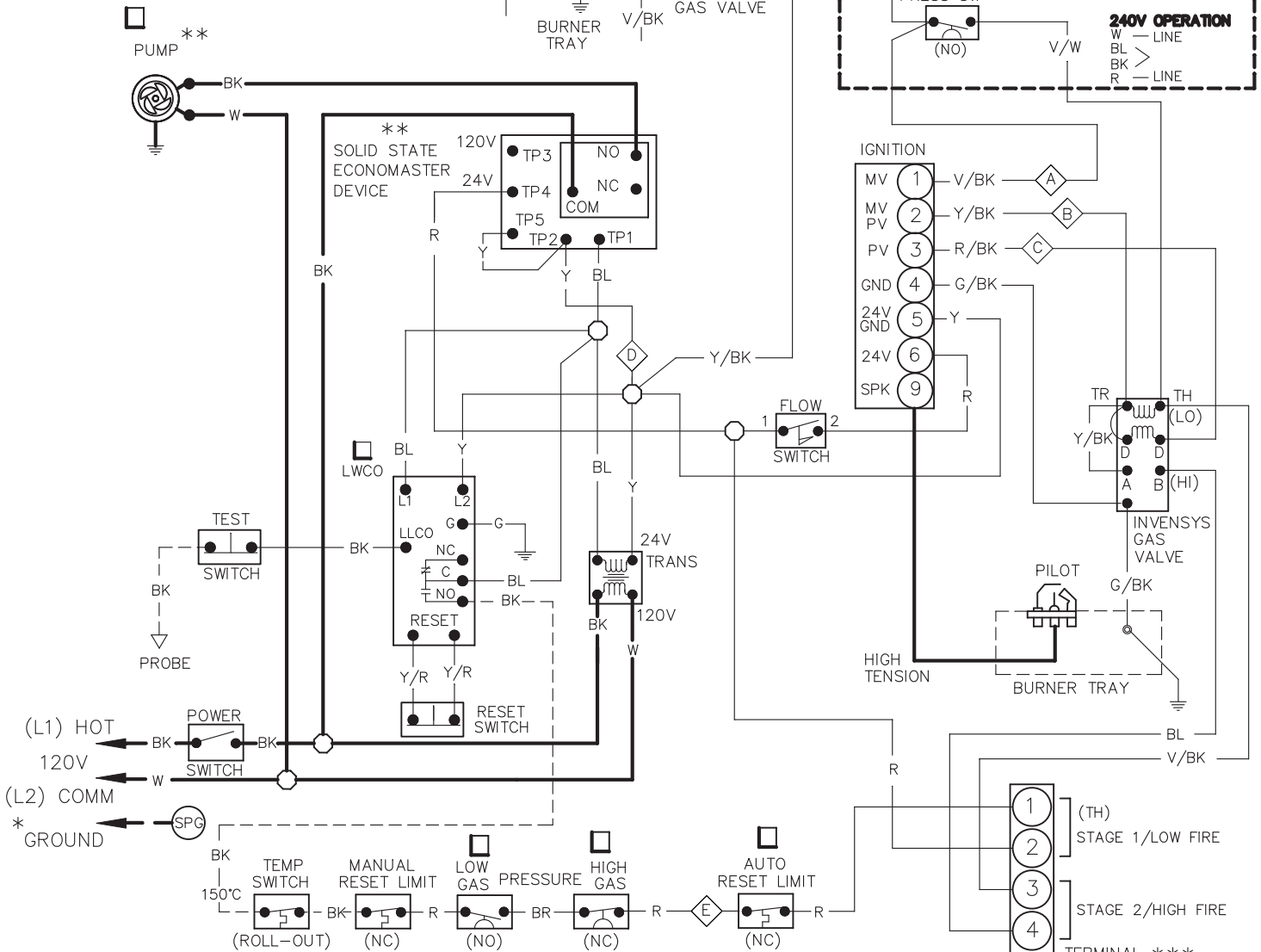
KEY	
	LOW VOLTAGE
	FIELD INSTALL
	LINE VOLTAGE
	FIELD INSTALL
	WIRE NUT
	GROUND
BK	BLACK
BR	BROWN
R	RED
O	ORANGE
Y	YELLOW
G	GREEN
BL	BLUE
V	VIOLET
W	WHITE

CHECKED BY:	
APPROVED BY:	
ORIG E.O. 3311	
08/17/00	
CHG E.O. 5223	
08/12/14	

WIRING DIAGRAM IID ECONOMASTER FIRING MODE - 2 STAGE

INPUTS:	334,000 THRU 399,000 BTUH
SIZE:	330/400
TYPE:	H3/W3/WH3

PUMP DATA	
FACTORY	FIELD
MODEL :	
H.P. :	
AMPS. :	



NOTES: * USE GROUND CONNECTION PROVIDED. FAILURE TO PROVIDE PROPER GROUND MAY RESULT IN LOCK-OUT. ALL GROUND \pm TERMINATE AT $\text{\textcircled{SPG}}$.

** PUMP USED MUST BE RATED 10 AMPS MAX OR 3/4 HP MAX. PUMP DELAY ADJUSTABLE BETWEEN 3 AND 10 MINUTES.

*** FOR TWO STAGE OPERATION OR MULTIPLE BOILER SYSTEM, SEE INSTALLATION AND OPERATING INSTRUCTION MANUAL.

$\text{\textcircled{A}} - \text{\textcircled{E}}$ CONNECTIONS FOR OPTIONAL E-4 ALARM PANEL.

CHECK CONTROLS PROVIDED (WIRED AS SHOWN)

REPLACE WIRING WITH 105°C WIRE ONLY

WIRING DIAGRAM IID ECONO POWER VENT FIRING MODE - 2 STAGE

INPUTS: 334,000 THRU 399,000 BTUH

SIZE: 330/400

TYPE: H3/W3/WH3

KEY	
—	LOW VOLTAGE
---	FIELD INSTALL
—	LINE VOLTAGE
---	FIELD INSTALL
○	FIELD WIRE WIRE NUT
$\text{\textcircled{SPG}}$	GROUND
BK	BLACK
BR	BROWN
R	RED
O	ORANGE
Y	YELLOW
G	GREEN
BL	BLUE
V	VIOLET
W	WHITE

CHECKED BY:	
APPROVED BY:	
ORIG E.O. 3311	
08/17/00	
CHG E.O. 5223	
08/12/14	
Raypak	

SIZE: 330/400 TYPE: H3/W3/WH3

152508 7