

RAYPAK ILLUSTRATED PARTS LIST

The parts listed are for standard equipment for this model type. Raypak reserves the right to substitute, delete or change any part without notification. The addition of options may also change some of the parts. Order replacement parts from actual heater components.

Raytherm H, W, WH, N & NH

COMMERCIAL MODELS 2100, 2500, 3001, 3500, & 4001

DATES OF MANUFACTURE: 9-01-84 THROUGH CURRENT EXCEPT AS NOTED

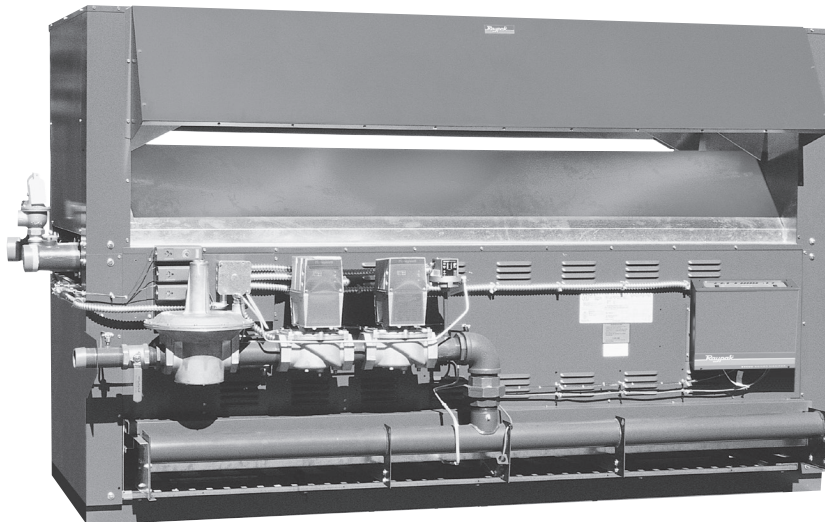
MODEL H4 3-01-87 THROUGH CURRENT

MODEL N 9-1-84 THROUGH 12-31-89

MODEL W3 1-1-99 THROUGH CURRENT

MODELS WH1, WH2, & WH3 1-1-01 THROUGH CURRENT

MODEL H6 9-1-84 THROUGH 12-31-08



MODEL TYPE DESIGNATIONS

NEW

H2
H3
H4
H6
WH1
WH2
WH3
N

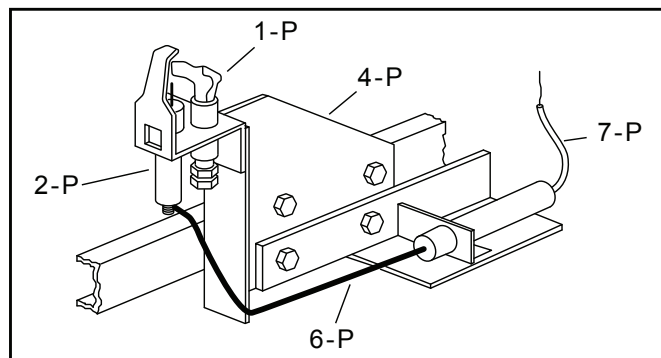
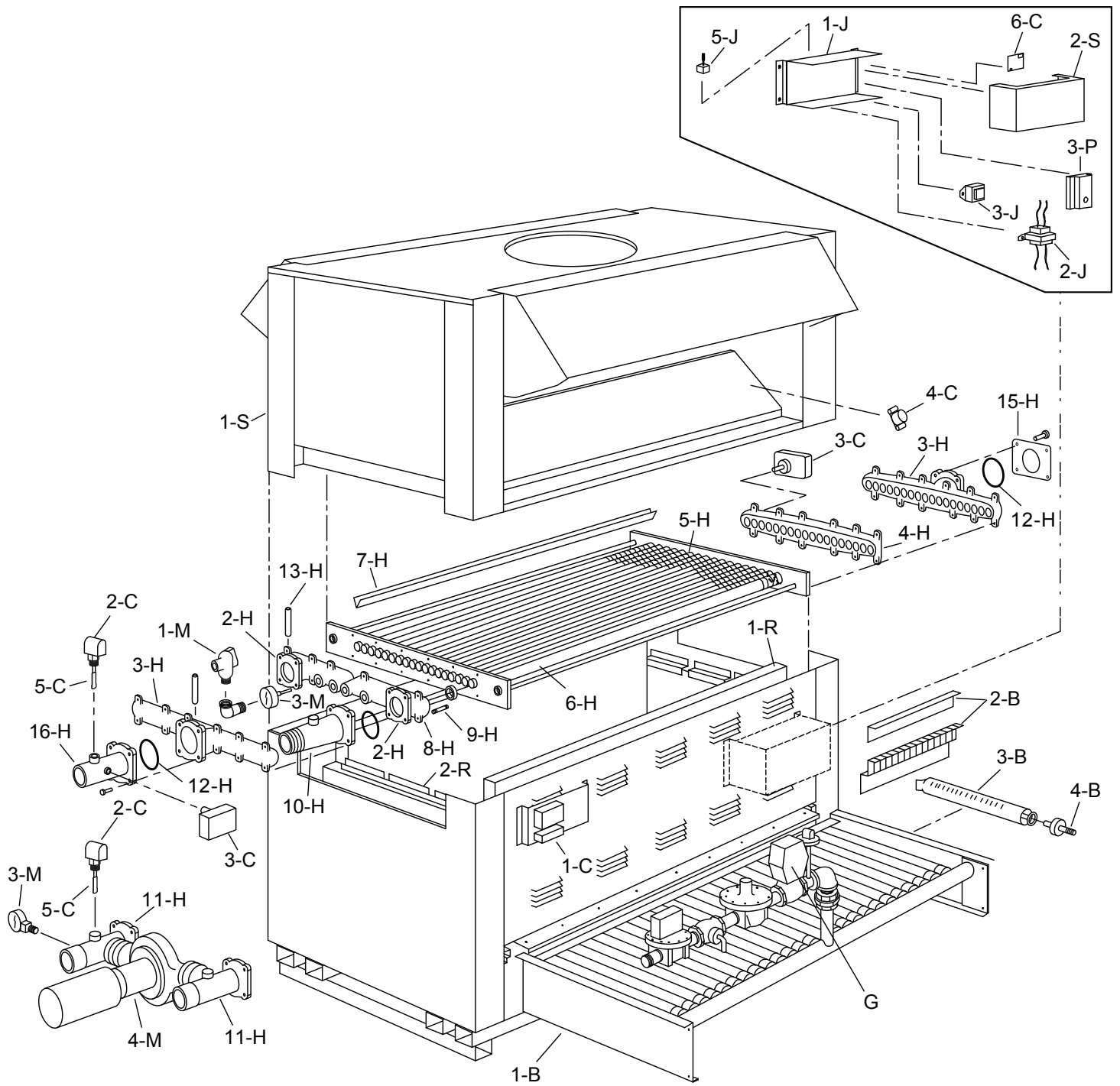
OLD

Ta
Tb
Tc
Tx
WT
THWS
-
TIP

For detailed instructions, see "How to Use your Raypak Illustrated Parts List", Catalog No. 9001.10

Raypak[®]

A Rheem[®] Company



CALL OUT	DESCRIPTION	2100	2500	3001	3500	4001
B	BURNER TRAY**					
1-B	Burner Tray w/Burners (Sea Level)* Burner Tray w/o Burners (Sea Level)*	001897F 001902F	001898F 001903F	001899F 001904F	001900F 001905F	001901F 001906F
2-B	Burner Spacer/Hold down Kit	001907F	001908F	001909F	001910F	001911F
3-B	Burner	305846/21	305846/25	305846/30	305846/35	305846/40
4-B	Burner Orifice Nat. (Sea Level)* #17 Burner Orifice Pro. (Sea Level)* #36	350791F/21 351053F/21	350791F/25 351053F/25	350791F/30 351053F/30	350791F/35 351053F/35	350791F/40 351053F/40
C	CONTROLS					
1-C	Manual Reset Adjustable High Limit 240°F Max Manual Reset Adjustable High Limit 200°F Max Auto Reset Adjustable High Limit 180°F Max Auto Reset Adjustable High Limit 200°F Max Auto Reset Dualstat Manual Reset Dualstat Auto Reset Adjustable High Limit 240°F Max Controller 2 Stage H3 Controller 2 Stage W3 Controller 4 Stage W3 Controller (H2) Controller (N W2) Controller (H2 w/B5) Controller Modulating (B-40/B-41) Digital	007144F 008081F 006445F 012546F 004092F 007141F 007392F 006760F 006759F N/A N/A N/A 013293F	007144F 008081F 006445F 012546F 004092F 007141F 007392F 006760F 006759F N/A N/A N/A 013293F	007144F 008081F 006445F 012546F 004092F 007141F 007392F 006760F 006759F N/A N/A N/A 013293F	007144F 008081F 006445F 012546F 004092F 007141F 007392F 006760F 006759F N/A N/A N/A 013293F	007144F 008081F 006445F 012546F 004092F 007141F 007392F 006760F 006759F N/A N/A N/A 013293F
2-C	Flow Switch	007142F	007142F	007142F	007142F	007142F
3-C	Low Water Cut Off	006202F	006202F	006202F	006202F	006202F
4-C	Thermostat Economaster (TTD)	003609F	003609F	003609F	003609F	003609F
5-C	Flow Switch Paddle (McDonnell Miller) Flow Switch Paddle (Taco)	004079F 010026F	004079F 010026F	004079F 010026F	004079F 010026F	004079F 010026F
6-C	Economaster II Control	004675F	004675F	004675F	004675F	004675F
G	GAS VALVES	SEE GAS VALVE REPLACEMENT CHART				
H	HEAT EXCHANGER					
1-H	Heat Exch Assy-Cast Iron 2 Pass Heat Exch Assy-Brass 2 Pass Heat Exch Assy-Cast Iron 2 Pass Cupro Nickel Heat Exch Assy-Brass 2 Pass Cupro Nickel Heat Exch Assy-Cast Iron 1 Pass	001912F 001917F 001927F 001932F 001922F	001913F 001918F 001928F 001933F 001923F	001914F 001919F 001929F 001934F 001924F	001915F 001920F 001930F 001935F 001925F	001916F 001921F 001931F 001936F 001926F
17-H	Inlet Header Cast Iron 2 Pass Inlet Header Brass 2 Pass	010036F 010037F	010036F 010037F	010036F 010037F	010036F 010037F	010036F 010037F
2-H	Outlet Header Cast Iron 2 Pass Outlet Header Brass 2 Pass	001966F 001967F	001966F 001967F	001966F 001967F	001966F 001967F	001966F 001967F
3-H	Inlet or Outlet Header Cast Iron 1 Pass	001968F	001968F	001968F	001968F	001968F
4-H	Return Header Cast Iron 2 Pass Return Header Brass 2 Pass	001969F 001970F	001969F 001970F	001969F 001970F	001969F 001970F	001969F 001970F
5-H	Tube Bundle Tube Bundle Cupro Nickel (N)	001937F 001942F	001938F 001943F	001939F 001944F	001940F 001945F	001941F 001946F
6-H	Heat Exchange Tube Heat Exchange Tube Cupro Nickel (N)	001947F 001952F	001948F 001953F	001949F 001954F	001950F 001955F	001951F 001956F
7-H	Baffle Kit	001957F	001958F	001959F	001960F	001961F
8-H	Stud Bolt Kit	001962F	001962F	001962F	001962F	001962F
9-H	Header Gasket	001054F	001054F	001054F	001054F	001054F
10-H	Adapter Inlet or Outlet Cast Iron 2 Pass Adapter Inlet or Outlet Brass 2 Pass	002088F 002087F	002088F 002087F	002088F 002087F	002088F 002087F	002088F 002087F
15-H	Adapter Inlet Brass 1 Pass	002638F	002638F	002638F	002638F	002638F
16-H	Adapter Outlet Brass 1 Pass	005399F	005399F	005399F	005399F	005399F
11-H	Adapter Inlet or Outlet Brass 2 Pass N	002089F	002089F	002089F	002089F	002089F
12-H	Adapter Gasket 2 Pass Adapter Gasket 1 Pass	005891F 800032	005891F 800032	005891F 800032	005891F 800032	005891F 800032
13-H	Sensor Well 1/2" O.D. Sensor Well 5/8" O.D.	350338 350337	350338 350337	350338 350337	350338 350337	350338 350337
14-H	Well Retaining Clip (Not Shown)	300203	300203	300203	300203	300203

*FOR ALTITUDES ABOVE 2,000 FEET ABOVE SEA LEVEL, CONSULT THE FACTORY OR SERVICE OUTLET.

**REPLACEMENT BURNER TRAYS ARE BUILT FOR SEA LEVEL, NATURAL GAS APPLICATIONS UNLESS OTHERWISE SPECIFIED AT THE TIME THE ORDER IS PLACED.

CALL OUT	DESCRIPTION	2100	2500	3001	3500	4001
J	J-BOX					
1-J	J-Box Nat./Pro. IID H2, H6 w/B3 or B5	002836F	002836F	002837F	002837F	002837F
	J-Box Nat./Pro. IID H3	002856F	002856F	006190F	006190F	006190F
	J-Box Nat./Pro. IID W1, H4	002835F	002835F	002837F	002837F	002837F
	J-Box Nat./Pro. IID W2	002854F	002854F	002855F	002855F	002855F
	J-Box Nat./Pro. IID W3	006655F	006655F	006656F	006656F	006656F
	J-Box Nat./Pro. IID N	002857F	002857F	002867F	002867F	002867F
	J-Box Nat.C2 H2,H6w/B3 or B5 W1,W2 H4 (Not Shown)	N/A	N/A	N/A	N/A	N/A
	J-Box Nat. C2 H3 (Not Shown)	N/A	N/A	N/A	N/A	N/A
	J-Box Nat. C2 N (Not Shown)	N/A	N/A	N/A	N/A	N/A
	J-Box Nat.IRI H2,H6 w/B3 or B5,W1,W2 (Not Shown)	N/A	N/A	N/A	N/A	N/A
	J-Box Nat.IRI H3	N/A	N/A	N/A	N/A	N/A
	J-Box Nat. IRI W3 (Not Shown)	N/A	N/A	N/A	N/A	N/A
	J-Box Nat. IRI N	N/A	N/A	N/A	N/A	N/A
2-J	Transformer	006533F	006533F	006533F	006533F	006533F
	Spark Generator C2 & IRI (Not Shown)	007361F	007361F	007361F	007361F	007361F
3-J	Relay SPST 24V IID	007377F	007377F	007377F	007377F	007377F
	Relay DPDT 24V	008090F	008090F			
	Relay DPDT 120V NO/NC	013243F	013243F	013243F	013243F	013243F
	Relay SPDT 120V C2 (Not Shown)	008145F	008145F	008145F	008145F	008145F
	Relay DPDT 120V IRI (Not Shown)	N/A	N/A	N/A	N/A	N/A
4-J	Contactors 3PST 24V IID/IRI N (Not Shown)	600543F	600543F	600543F	600543F	600543F
	Contactors 3PST 24V C2 N (Not Shown)	600544F	600544F	600544F	600544F	600544F
5-J	Toggle Switch	008079F	008079F	008079F	008079F	008079F
M	MISCELLANEOUS					
1-M	PRV 60 PSI	007754F	007754F	007755F	007755F	007755F
	PRV 125 PSI	007758F	007759F	007759F	007759F	012312F
	PRV 125 PSI (WH Only)	007759F	007759F	007759F	012312F	012312F
	PRV 150 PSI	007225F	012313F	012313F	012313F	012314F
2-M	Delimiting Kit	052870F	052870F	052870F	052870F	052870F
3-M	T & P Gauge 0-90 PSI	007205F	007205F	007205F	007205F	007205F
	T & P Gauge 0-200 PSI	007399F	007399F	007399F	007399F	007399F
	T & P Gauge 0-230 PSI	014221F	014221F	014221F	014221F	014221F
4-M	Pump w/Volute Bronze*	N/A	N/A	N/A	N/A	N/A
	Pump w/Volute CIBF*	N/A	N/A	N/A	N/A	N/A
5-M	Power Vent Motor (Not Shown)	951155F	951155F	951156F	951156F	951156F
6-M	Power Vent Motor Drive Belt (Not Shown)	951158F	951158F	951158F	951158F	951158F
7-M	Power Vent Discharge Fan (Not Shown)	951159F	951159F	951160F	951160F	951160F
8-M	Power Vent Shaft/Bearing Assy (Not Shown)	951161F	951161F	951162F	951162F	951162F
9-M	Power Vent PC Board (Not Shown)	005503F	005503F	005503F	005503F	005503F
10-M	Power Vent Flue Sensor (Not Shown)	006433F	006433F	006433F	006433F	006433F
11-M	Touch-up Paint					
	Green	750125	750125	750125	750125	750125
	Dark Gray	750126	750126	750126	750126	750126
	Cool Dark Gray	750256	750256	750256	750256	750256
P	PILOT					
1-P	Pilot Nat. IID	002084F	002084F	002084F	002084F	002084F
	Pilot Pro. IID	002085F	002085F	002085F	002085F	002085F
	Pilot Nat. C2 IRI	002086F	002086F	002086F	002086F	002086F
2-P	Pilot Orifice Nat. IID	600552	600552	600552	600552	600552
	Pilot Orifice Pro. IID	600894	600894	600894	600894	600894
	Pilot Orifice Nat. C2 & IRI	600552	600552	600552	600552	600552
3-P	Ignition Control Nat. & Pro. IID	004818B	004818B	004818B	004818B	004818B
	Ignition Control Nat. C2A, IRI	007359F	007359F	007359F	007359F	007359F
	Base Ignition Control	008701F	008701F	008701F	008701F	008701F
	Ignition Control C2A (complete)	008702F	008702F	008702F	008702F	008702F
8-P	Remote Keyboard Display Module C2A (Not Shown)	015399F	015399F	015399F	015399F	015399F
4-P	Pilot Mounting Bracket	305847	305847	305847	305847	305847
5-P	Pilot Tube (Specify Length)	400013	400013	400013	400013	400013
6-P	Ignitor Wire IID	016514F	016514F	016514F	016514F	016514F
7-P	Hi Tension Wire	002663B	002663B	002663B	002663B	002663B
R	REFRACTORY					
1-R	Refractory Kit	001971F	001972F	001973F	001974F	001975F
2-R	Refractory Retainer Kit	001976F	001977F	001978F	001979F	001980F
S	SHEET METAL					
1-S	Draffhood Top Assy (Includes Flue Collector)	002079F	002080F	002081F	002082F	002083F
2-S	J-Box Sheetmetal	002636F	002636F	002636F	002636F	002636F
	J-Box Sheetmetal C2A, IRI	007803F	007803F	007803F	007803F	007803F

* For individual pump parts see separate pump parts IPL 9300.100

B3 SERVICE REPLACEMENT PARTS	PART
B3A (W964) AQUATROL CONTROLLER	NO.
Outdoor Reset Controller	N/A
Outdoor Temp Sensor	N/A
Water Sensor	N/A
Alarm Bell	005642F
Silence Switch	N/A
Relay SPDT 120V Idec	N/A
Relay DPDT 120V Idec	N/A
Relay SPDT 120V	N/A
Relay SPDT 24V	N/A
Relay DPDT 120V	N/A
Lead Boiler Switch	N/A
Main On/Off Switch	N/A
Transformer	N/A
B3C (ZG50) CENTRA CONTROLLER	
Outdoor Reset Controller	N/A
Control Module TH 53	N/A
Control Module ZF1	N/A
Outdoor Temp Sensor	N/A
Water Sensor	N/A
Alarm Bell	005642F
Silence Switch	N/A
Relay SPDT 120V Idec	N/A
Relay DPDT 120V Idec	N/A
Relay SPDT 24V Idec	N/A
Relay 3PDT 24V Idec (3 Boiler System)	N/A
Relay 4PDT 24V Idec (3 Boiler System)	N/A
Relay 4PDT 120V Idec (3 Boiler System)	N/A
Relay SPDT 24V (Alarm)	008090F
Lead Boiler Switch (2 Boilers)	N/A
Lead Boiler Switch (3 Boilers)	N/A
Transformer	006533F
Main On/Off Switch	N/A

For **B6000** Replacement Parts See IPL **9300.84**

CALL OUT	GAS VALVE	PART NUMBER	H2, NH, W2, WH2					H4, W1, WH1				
			2100	2500	3001	3500	4001	2100	2500	3001	3500	4001
G	GAS VALVES											
	Manual "B" Valve 1/8"	007195F	1	1	1	1	1	1	1	1	1	1
	Manual "A" Valve 1-1/2"	007933F						1	1			
	Manual "A" Valve 2"	600043	1	1	1	1	1	1	1	1	1	1
	Manual "A" Valve 2-1/2"	600076						1				1
	Pressure Regulator Nat. 3/8"	004060F	1	1	1	1	1	1	1	1	1	1
	Pressure Regulator Pro. 3/8"	004061F	1	1	1	1	1	1	1	1	1	1
	Pressure Regulator Nat. 2"	600036	1	1	1*			1*	1*	1*		
	Pressure Regulator Pro. 2"	003604F	1	1	1*			1*	1*	1*		
	Pressure Regulator Nat. 2-1/2"	600078			1	1	1			1	1	1
	Pressure Regulator Pro. 2-1/2"	003614F			1	1	1			1	1	1
	Auto On/Off Valve 1-1/2"	004095F	1					1				
	Auto On/Off Valve 2"	004096F		1					1			
	Gas Valve Body 2"	600453	2*	2*	2	2		2*	2*	2	2	
	Gas Valve Body 2-1/2"	600454					2					2
	Comb. Gas Valve Nat. 1-1/2"	600633						1	1			
	Comb. Gas Valve Pro. 1-1/4"	600693						1	1			
	Comb. 2-Stage Valve Nat. 1-1/2"	600850										
	Comb. 2-Stage Valve Pro. 1-1/4"	601095										
	Pilot Valve 120V	600154			#	#	#			#	#	#
	Pilot Gas Valve 24V	600562	1	1	#	#	#	1	1	#	#	#
	Actuator, On/Off	011908F	1*	1*	1	1	1	2*	2*	2	2	2
	Actuator, Modulation	600449	1	1	1	1	1					
	Actuator, 2-Stage	600458										
	Actuator, B-3/B6000 (600900)	016362F										
*	Gas Pressure Switch Low	007187F	1	1	1	1	1	1	1	1	1	1
	Gas Pressure Switch High	007188F	1*	1*	1	1	1	1*	1*	1	1	1
*	Lube/Cock Valve 2"	600327	2	2	2	2		2	2	2	2	
*	Lube/Cock Valve 2-1/2"	600328					2					2
*	Gas Vent Valve 1"	011914F	1	1	1	1		1	1	1	1	
*	Gas Vent Valve 1-1/4"	600548					1					1

*REQUIRED FOR IRI MODELS

UNITS MAY BE BUILT WITH EITHER A 24V OR A 120V PILOT GAS VALVE

CALL OUT	GAS VALVE	PART NUMBER	H3, W3, WH3					H6				
			2100	2500	3001	3500	4001	2100	2500	3001	3500	4001
G	GAS VALVES											
	Manual "B" Valve 1/8"	007195F	1	1	1	1	1	1	1	1	1	1
	Manual "A" Valve 1-1/2"	007933F	1	1								
	Manual "A" Valve 2"	600043	1	1	1	1	1	1	1	1	1	1
	Manual "A" Valve 2-1/2"	600076					1					1
	Pressure Regulator Nat. 3/8"	004060F	1	1	1	1	1	1	1	1	1	1
	Pressure Regulator Pro. 3/8"	004061F	1	1	1	1	1	1	1	1	1	1
	Pressure Regulator Nat. 2"	600036	1*	1*	1*			1*	1*	1*		
	Pressure Regulator Pro. 2"	003604F	1*	1*	1*			1*	1*	1*		
	Pressure Regulator Nat. 2-1/2"	600078			1	1	1			1	1	1
	Pressure Regulator Pro. 2-1/2"	003614F			1	1	1			1	1	1
	Auto On/Off Valve 1-1/2"	004095F	1					1				
	Auto On/Off Valve 2"	004096F		1					1			
	Gas Valve Body 2"	600453	2*	2*	2	2		2*	2*	2	2	
	Gas Valve Body 2-1/2"	600454					2					2
	Comb. Gas Valve Nat. 1-1/2"	600633										
	Comb. Gas Valve Pro. 1-1/4"	600693										
	Comb. 2-Stage Valve Nat. 1-1/2" WH3	600850	1	1								
	Comb. 2-Stage Valve Nat. 2" H3/W3	601363	1	1								
	Comb. 2-Stage Valve Pro. 1-1/4"	601095	1	1								
	Pilot Valve 120V	600154			#	#	#					
	Pilot Gas Valve 24V	600562	1	1	#	#	#	1	1	1	1	1
	Actuator, On/Off	011908F	1*	1*	1	1	1	1*	1*	1	1	1
	Actuator, Modulation	600449										
	Actuator, 2-Stage	600458	1*	1*	1	1	1					
	Actuator, B-3/B6000 (600900)	016362F						1	1	1	1	1
*	Gas Pressure Switch Low	007187F	1	1	1	1	1	1	1	1	1	1
	Gas Pressure Switch High	007188F	1*	1*	1	1	1	1*	1*	1	1	1
*	Lube/Cock Valve 2"	600327	2	2	2	2		2	2	2	2	
*	Lube/Cock Valve 2-1/2"	600328					2					2
*	Gas Vent Valve 1"	011914F	1	1	1	1		1	1	1	1	
*	Gas Vent Valve 1-1/4"	600548					1					1

*REQUIRED FOR IRI MODELS

UNITS MAY BE BUILT WITH EITHER A 24V OR A 120V PILOT GAS VALVE



Registered Quality Management System

www.raypak.com

Raypak, Inc., 2151 Eastman Avenue, Oxnard, CA 93030 (805) 278-5300 FAX (805) 278-5489
Litho In U.S.A.