



SUBMITTAL COVER SHEET

PROJECT NAME _____

LOCATION _____

ARCHITECT _____

ENGINEER _____

CONTRACTOR _____

SUBMITTED BY _____ DATE _____

UNIT SUMMARY

Quantity						
Unit Designation						
Model No.						
Total Cooling						
Sensible Cooling						
Air Ent. Evaporator						
Air Lvg. Evaporator						
Heating Input						
Heating Output						
CFM/ESP						
EER/SEER						
Electrical						
Minimum Ampacity						
Min.-Max. Breaker						
Net Unit Weight						
Accessory						
Catalog Form Number						

ACCESSORIES:

NOTES:

SUBMITTAL SHEET FOR RGPN- 80% A.F.U.E. UPFLOW/HORIZONTAL GAS FURNACES

Models with Input Rates from 50,000 to 150,000 BTU/HR [15 to 44 kW].

JOB NAME _____ MODEL NO. _____
 CONTRACTOR _____ OUTDOOR UNIT MODEL NO. _____
 ENGINEER _____ LOCATION _____
 SUBMITTED FOR APPROVAL RECORD ORDER NO. _____
 DATE _____

UNIT DATA

HEATING PERFORMANCE

TOTAL CAPACITY INPUT* _____ MBH [kW]
 TOTAL CAPACITY OUTPUT* .. _____ MBH [kW]
 DESIGN TEMP. RISE _____ °F [°C] DB
 AFUE _____ %
 CALIFORNIA SEASONAL
 EFFICIENCY _____ %
(*uses blower motor heat)

SUPPLY AIR BLOWER PERFORMANCE

TOTAL AIR SUPPLY _____ CFM [L/s]
 TOTAL RESISTANCE EXTERNAL
 TO UNIT _____ IWG
 BLOWER SPEED _____ RPM
 POWER OUTPUT REQUIREMENT .. _____ BHP
 MOTOR RATING _____ HP [W]
 POWER INPUT REQUIREMENT _____ kW

ELECTRICAL DATA

POWER SUPPLY _____ Hz
 TOTAL UNIT AMPACITY _____ AMPS
 MINIMUM WIRE SIZE _____ AWG
 MAXIMUM OVERCURRENT DEVICE
 FUSES/HACR BREAKER _____ AMPS

FEATURES FOR RGPN-

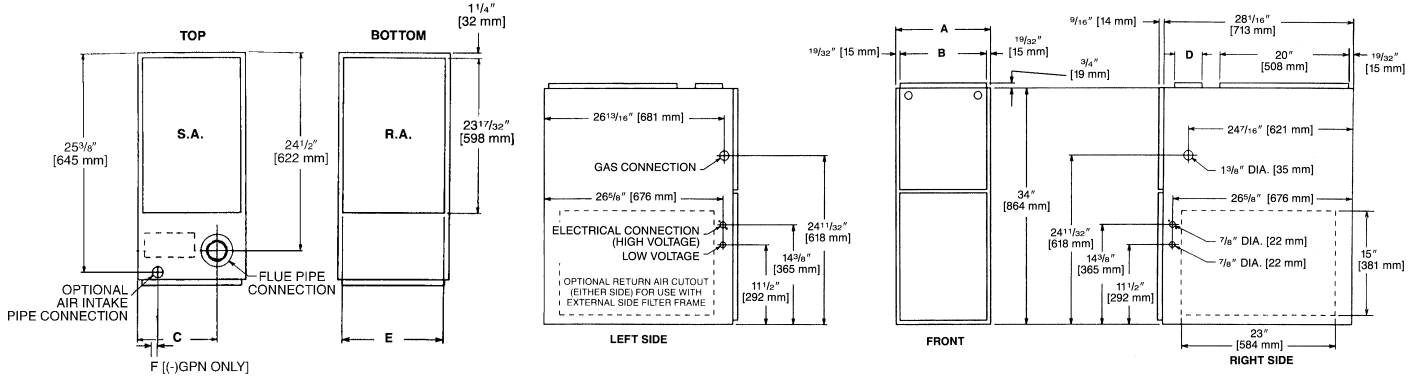
- Innovative combustion design results in reliable, efficient operation at sound levels which provide distinct competitive advantage.
- Patented Heat Exchanger, constructed of both stainless and aluminized steel for the maximum in corrosion resistance.
- Low profile "34 inch" design is lighter and easier to handle, and leaves room for optional equipment.
- Convertible from upflow to horizontal left or right field conversion.
- Left or right side gas and electric inlet connections with quick, simple change.
- Robust and reliable direct spark ignition utilizing remote sense and an integrated board with humidifier and electronic air cleaner hookups.
- Insulated blower compartment helps to reduce jacket loss and noise.
- Pre-paint galvanized steel cabinet.
- Molded permanent filter.
- Grab-holes in doors to aid in easy door removal and replacement.

FIELD INSTALLED ACCESSORIES:

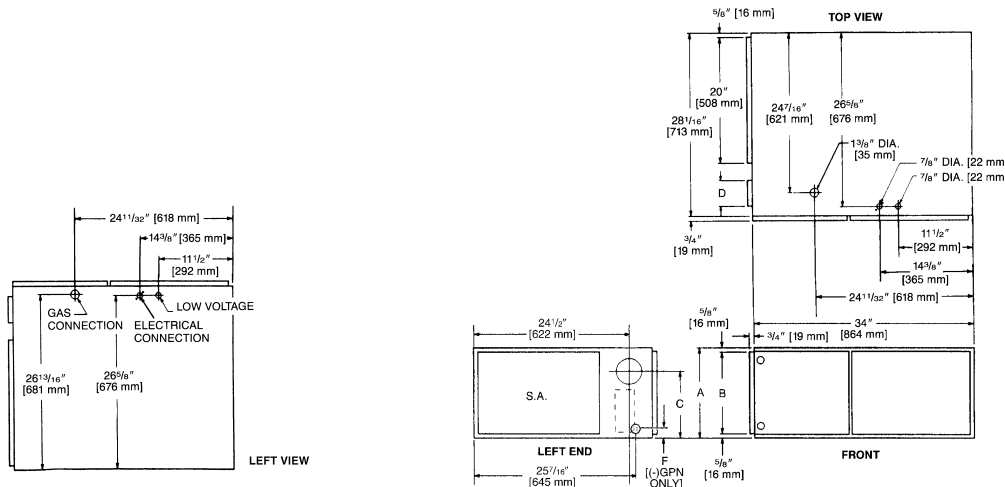
- Plenum Adapter (RXAA-).....
 Fossil Fuel Kit: RXPF-F01 and F02
 External Bottom Filter Rack: RXGF-CB
 External Side Return Filter Rack: RXGF-CA.....
 Return Air Cabinets: RXGR-CB.....
 Solid Bottom Kit: (RXGB-D14, 17, 21, 24)
 High Altitude Kit: (RXGY-F13 for 2 stage models only)



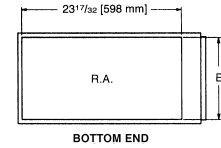
UPFLOW MODELS



HORIZONTAL MODELS



WARNING
THIS FURNACE IS NOT APPROVED OR RECOMMENDED FOR INSTALLATION ON ITS BACK, WITH ACCESS DOORS FACING UPWARDS.



ACCESSORY RETURN AIR CABINETS
Return Air Cabinets may be installed on either side application except RXGR-C24B (side application must be on side opposite gas and electrical connections).

DIMENSIONS AND CLEARANCE TO COMBUSTIBLE MATERIAL (INCHES) [mm] SINGLE-STAGE MODELS:

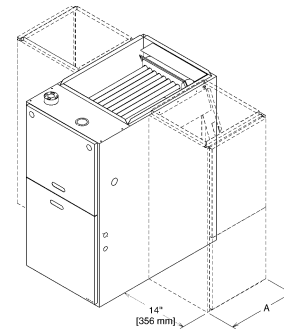
MODEL RGPN-	A	B	C	D	E	F	REDUCED CLEARANCES (IN.) [mm]						
							LEFT SIDE	RIGHT SIDE	BACK	TOP	FRONT	VENT	SHIP. WGT. (LBS.) [kg]
05	14 [356]	12 27/32 [326]	10 5/8 [270]	Ⓛ	11 1/2 [292]	1 7/8 [48]	0	4 [102] Ⓛ	0	1 [25]	3 [76]	6 [152] Ⓛ	85 [38.6]
07	17 1/2 [445]	16 11/32 [415]	12 3/8 [314]	Ⓛ	15 [381]	2 1/2 [64]	0	3 [76] Ⓛ	0	1 [25]	3 [76]	6 [152] Ⓛ	105 [47.6]
10 (A)	17 1/2 [445]	16 11/32 [415]	12 3/8 [314]	Ⓛ	15 [381]	2 1/2 [64]	0	3 [76] Ⓛ	0	1 [25]	3 [76]	6 [152] Ⓛ	115 [52.2]
10 (B)	21 [533]	19 27/32 [504]	14 1/8 [359]	Ⓛ	18 1/2 [470]	2 1/2 [64]	0	0	0	1 [25]	3 [76]	6 [152] Ⓛ	120 [54.4]
12	24 1/2 [622]	23 11/32 [593]	15 7/8 [403]	Ⓛ	22 [559]	2 1/2 [64]	0	0	0	1 [25]	3 [76]	6 [152] Ⓛ	140 [63.5]
15	24 1/2 [622]	23 11/32 [593]	15 7/8 [403]	Ⓛ	22 [559]	2 1/2 [64]	0	0	0	1 [25]	3 [76]	6 [152] Ⓛ	150 [68]

NOTES: Ⓛ May require a 3" [76 mm] to 4" [102 mm] or 3" [76 mm] to 5" [127 mm] adapter.

Ⓛ May be 0" [0 mm] with type B vent.

Ⓛ May be 1" [25 mm] with type B vent.

Furnaces must be vented in accordance with ANSI Z21.47-1993 • CAN/CGA-2.3-M93 venting table guidelines included with each furnace, and in accordance with local codes.



THE RXGR-C24B MAY ONLY BE INSTALLED ON THE SIDE OPPOSITE THE GAS AND ELECTRICAL CONNECTIONS.

RETURN AIR CABINETS	A IN. [mm]	FILTER SIZE IN. [mm]
RXGR-C14B	14 [356]	(2) 12 x 16 [305 x 406]
RXGR-C17B	17 1/2 [445]	(2) 12 x 16 [305 x 406]
RXGR-C21B	21 [533]	(2) 20 x 16 [508 x 406]
RXGR-C24B	24 1/2 [622]	(2) 24 x 16 [610 x 406]

[] Designates Metric Conversions

Before proceeding with installation, refer to installation instructions packaged with each model, as well as complying with all Federal, State, Provincial, and Local codes, regulations, and practices.

Rheem Sales Company, Inc.
P.O. Box 17010, Fort Smith, AR 72917

"In keeping with its policy of continuous progress and product improvement, Rheem reserves the right to make changes without notice."