

POOL
MODEL: 105B

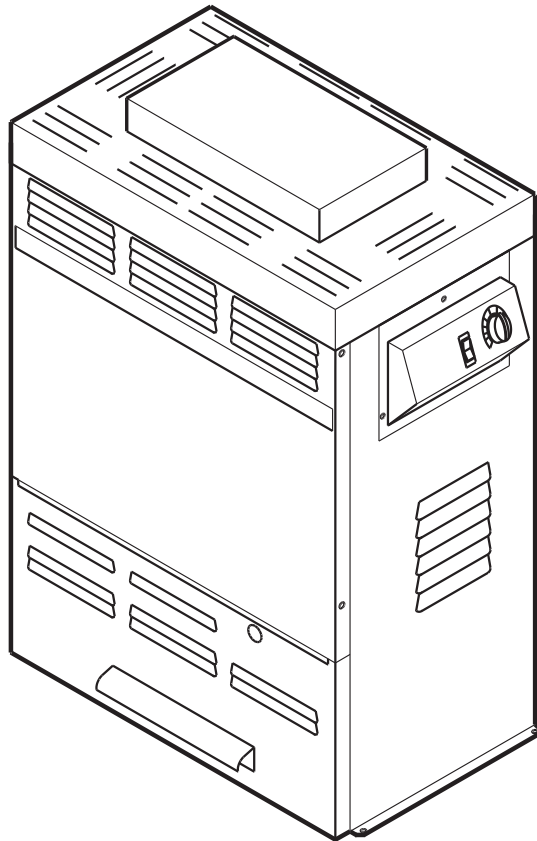
CATALOG NO. 9100.24.2
Effective: 01-01-16
Replaces: 10-15-14

RAYPAK ILLUSTRATED PARTS LIST

MODEL SIZE: 105B
MODEL TYPE: WHG VERSA PLUS CAST IRON

DATE OF MANUFACTURE: 06-01-99 THROUGH 07-31-06

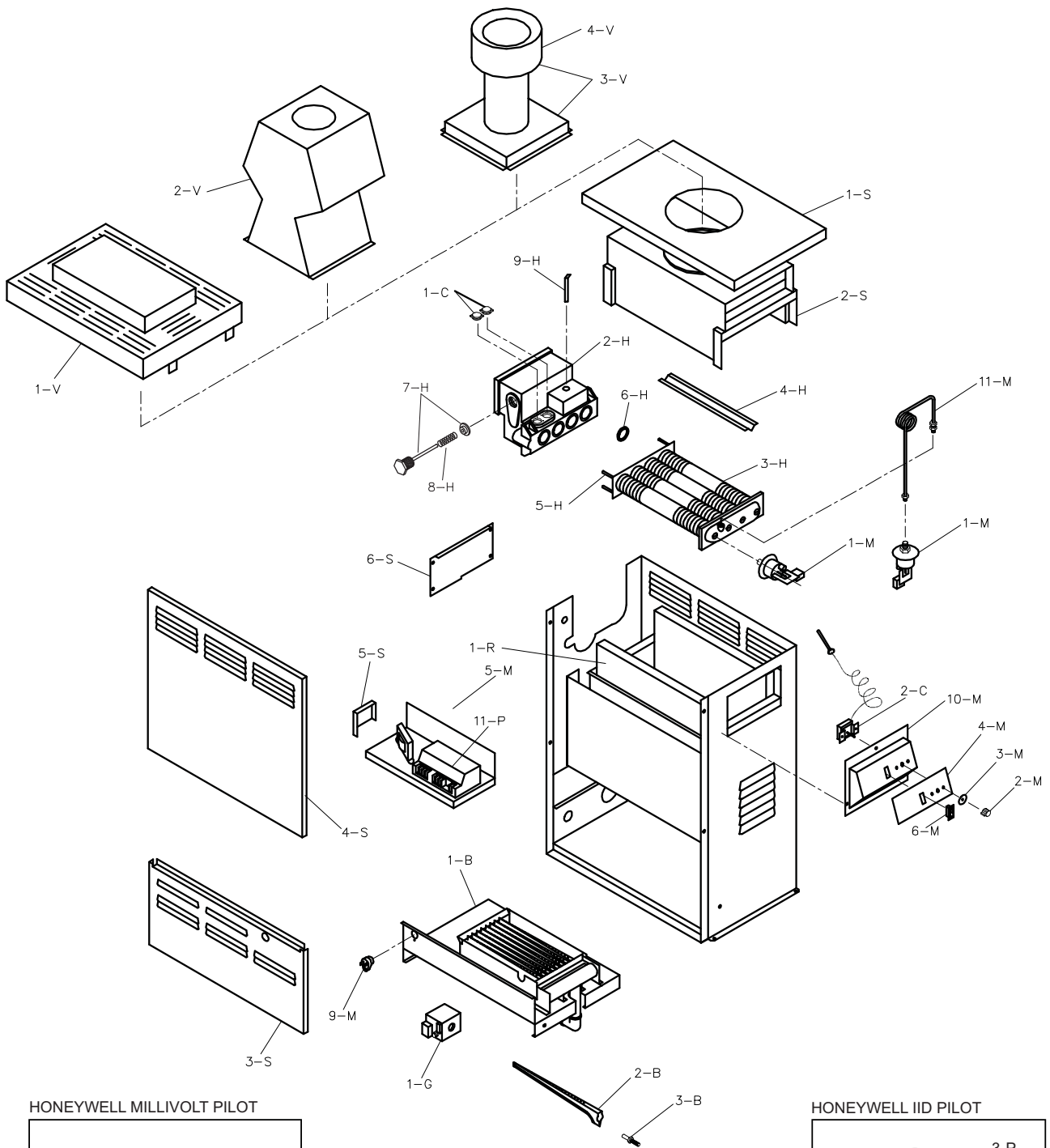
THE PARTS LISTED ARE FOR STANDARD EQUIPMENT FOR THIS MODEL TYPE. RAYPAK RESERVES THE RIGHT TO SUBSTITUTE, DELETE OR CHANGE ANY PART WITHOUT NOTIFICATION. THE ADDITION OF OPTIONS MAY ALSO CHANGE SOME OF THE PARTS. ORDER REPLACEMENT PARTS FROM ACTUAL HEATER COMPONENTS.



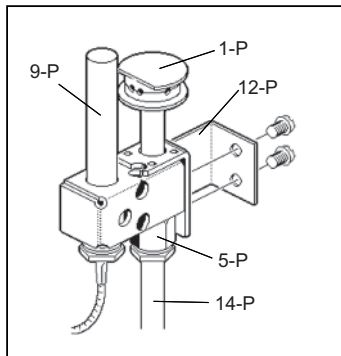
FOR DETAILED INSTRUCTIONS, SEE "HOW TO USE YOUR RAYPAK ILLUSTRATED PARTS LIST",
CATALOG NO. 9001.10



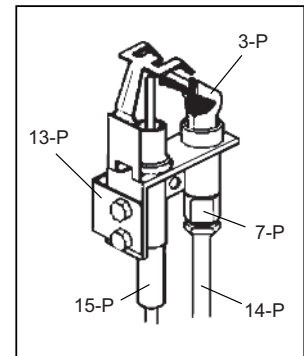
Raypak, Inc., 2151 Eastman Avenue, Oxnard, CA 93030
(805) 278-5300 Fax (800) 872-9725
Litho In U.S.A.



HONEYWELL MILLIVOLT PILOT



HONEYWELL IID PILOT



CALL OUT	DESCRIPTION	PART NUMBER
B	BURNER TRAY	
1-B	Burner Tray w/Burners (Sea Level)*	004899F
2-B	Burner	301210/8
3-B	Burner Orifice Nat. #51 (Sea Level)*	350080F/8
	Burner Orifice Pro. #59 (Sea Level)*	350350F/8
C	CONTROLS	
1-C	High Limit 135°F	006725F
2-C	Thermostat Control	003346F
G	GAS VALVE	
1-G	Combination Valve Nat. MV	003898F
	Combination Valve Pro. MV	003899F
	Combination Valve Nat. IID	003900F
	Combination Valve Pro. IID	004306F
H	HEAT EXCHANGER	
1-H	Heat Exchanger Assy. (Complete)	006888F
2-H	Inlet/Outlet Header	006887F
3-H	Tube Bundle	006889F
4-H	Baffle Kit	003964F
5-H	Carriage Bolt Kit	N/A
	Stud Bolt Kit	007957F
6-H	Header Gasket (4)	006891F
7-H	Bypass Valve	062235B
8-H	Bypass Spring	850252
9-H	Well Retaining Clip	300203
M	MISCELLANEOUS COMPONENTS	
1-M	Pressure Switch Direct Mount To Heater	006737F
	Pressure Switch Mount To Damper Tube	003651F
2-M	Thermostat Knob	006885F
3-M	Knob Stop	006886F
4-M	Dial Plate MV	006866F
	Dial Plate IID	006867F
5-M	Transformer (IID Unit)	006736F
6-M	Rocker Switch (SPST)	006872F
7-M	Wire Harness MV (Not Shown)	006873F
	Wire Harness IID (Not Shown)	006874F
8-M	Delimiting Kit (Not Shown)	052871F
9-M	Thermal Fuse	008126F
10-M	Bezel (Less Label)	006929F
11-M	Pressure Switch Tube Assy.	004904F
12-M	Touch-up Paint Green	750125

*For altitudes above 2,000 feet above sea level, consult the factory.

CALL OUT	DESCRIPTION	PART NUMBER
P	PILOT	
1-P	Pilot Nat. MV	600525B
	Pilot Pro. MV	600575B
3-P	Pilot Nat. IID	002003F
	Pilot Pro. IID	002003F
5-P	Pilot Orifice Nat. MV	003901F
	Pilot Orifice Pro. MV	003902F
7-P	Pilot Orifice Nat. IID	003903F
	Pilot Orifice Pro. IID	004308F
9-P	Pilot Generator MV	600019B
11-P	Ignition Control IID Nat.	004817B
	Ignition Control IID Pro.	004818B
12-P	Pilot Mounting Bracket MV	004907F
13-P	Pilot Mounting Bracket IID	004908F
	Pilot Tube	004078F
15-P	Hi Tension Wire IID	002654B
	Hi Tension Wire w/Pilot Electrode	N/A
R	REFRACTORY	
1-R	Refractory Block Kit	004909F
S	SHEETMETAL	
1-S	Jacket Top	006877F
2-S	Flue Collector	004911F
3-S	Door Assy.	004912F
4-S	Upper Jacket Control Panel	006881F
5-S	Wiring Box	306899
6-S	Access Panel (inlet / outlet end)	006883F
V	VENTING	
1-V	Stackless Top (Outdoor)	006930F
2-V	Drafthood (Indoor)	004897
3-V	Outdoor Stack w/Adapter (Outdoor)	004301
4-V	Outdoor Stack	N/A

CONVERSION KITS**		
Nat. to Pro. MV Units		004915B
Pro. to Nat. MV Units		004916B
Nat. to Pro. IID Units		004917F
Pro. to Nat. IID Units		004918F

** Gas Conversions are to be done only by a qualified agency.



Registered Quality Management System

www.raypak.com