

APPROVED

# RAYPAK ILLUSTRATED PARTS LIST

THE PARTS LISTED ARE FOR STANDARD EQUIPMENT FOR THIS MODEL TYPE. RAYPAK RESERVES THE RIGHT TO SUBSTITUTE, DELETE OR CHANGE ANY PART WITHOUT NOTIFICATION. THE ADDITION OF OPTIONS MAY ALSO CHANGE SOME OF THE PARTS. ORDER REPLACEMENT PARTS FROM ACTUAL HEATER COMPONENTS.

**MODEL SIZES: 334, 404, 514, 624, 724 & 824**

**MODEL TYPE: COMMERCIAL POOL**

DATES OF MANUFACTURE: 10-1-82 THROUGH 12-31-21 (EXCEPT AS NOTED)

MODELS: 334,404 10-01-82 THROUGH 11-01-86



724 Indoor



724 Outdoor

FOR DETAILED INSTRUCTIONS, SEE "HOW TO USE YOUR RAYPAK ILLUSTRATED PARTS LIST", CATALOG NO. 9001.10



Effective: 12-31-21

Replaces: 9100.60

P/N: 242021 Rev. 1

UNCONTROLLED DOCUMENT IF PRINTED

APPROVED

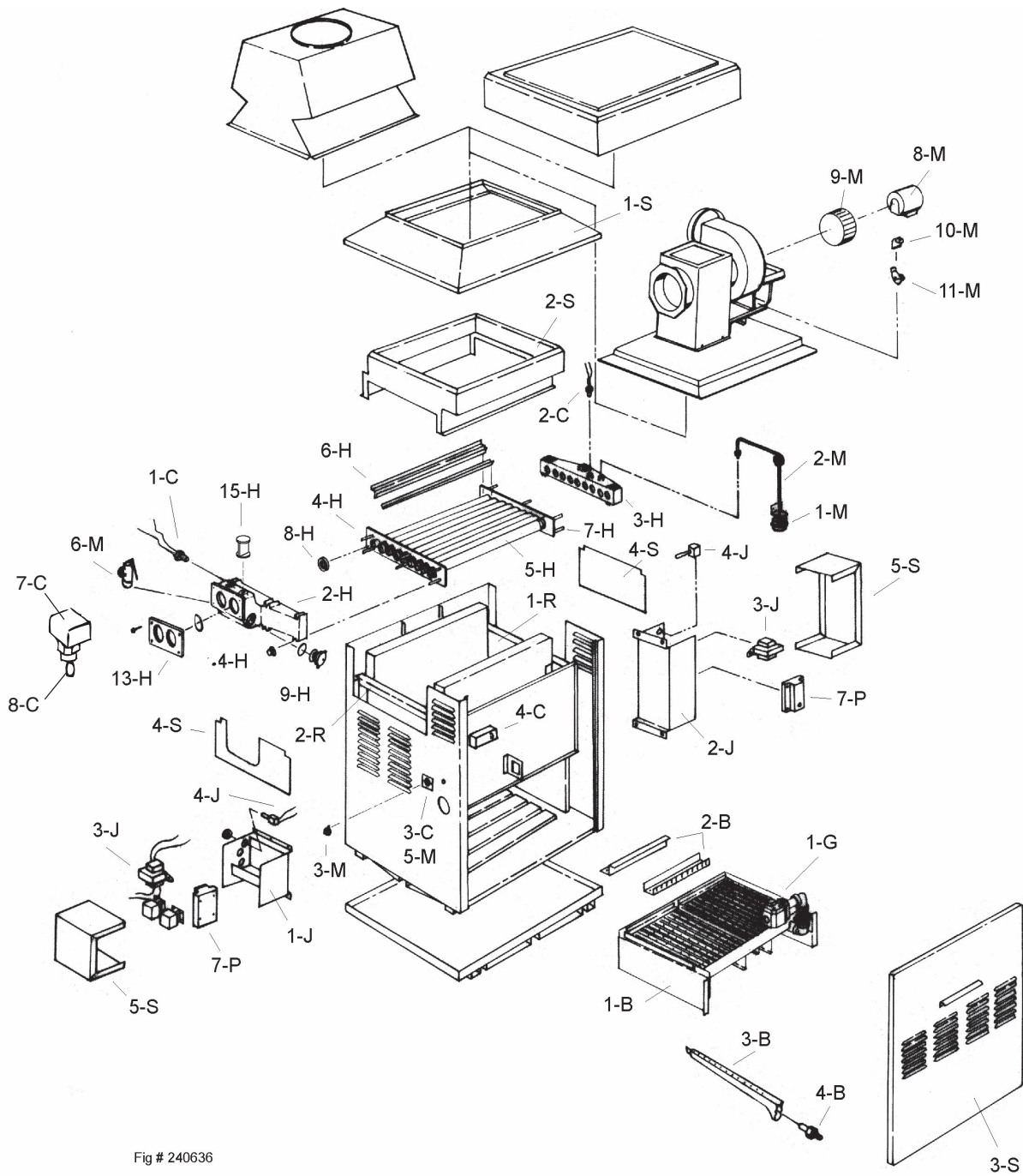


Fig # 240636

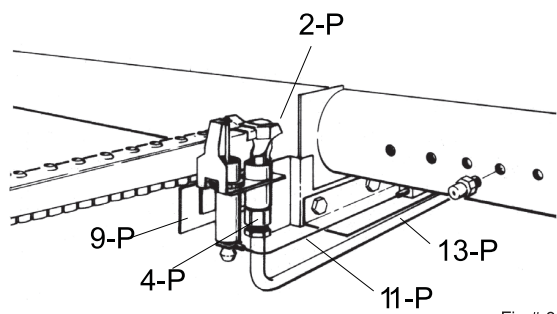


Fig # 9293

PILOT ASSEMBLY- ELECTRONIC IGNITION

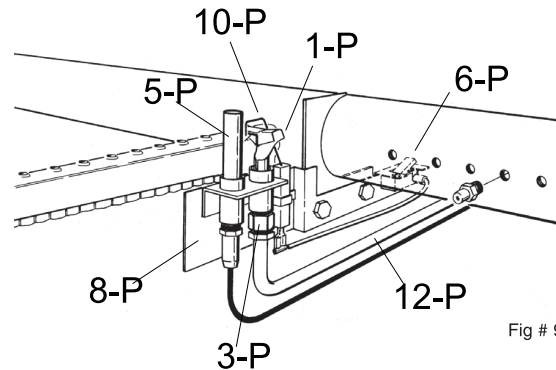


Fig # 9294

PILOT ASSEMBLY- STANDING PILOT

UNCONTROLLED DOCUMENT IF PRINTED

**APPROVED**

CALL OUT	DESCRIPTION	334	404	514	624	724	824
<b>B BURNER TRAY</b>							
1-B	Burner Tray w/Burners (Sea Level)*	001851F	001852F	001853F	001855F	001857F	001859F
	Burner Tray w/o Burners (Sea Level)*	001863F	001864F	001865F	001867F	001869F	001871F
2-B	Burner Spacer/Hold Down Bracket Kit	001875F	001876F	001877F	001878F	001879F	001880F
3-B	Burner	301210/20	301210/24	301210/31	301210/38	301210/44	301210/50
4-B	Burner Orifice Nat. #49 (Sea Level)*	350078F/20	350078F/24	350078F/31	350078F/38	350078F/44	350078F/50
	Burner Orifice Pro. #57 (Sea Level)*	350083F/20	350083F/24	350083F/31	350083F/38	350083F/44	350083F/50
<b>C CONTROLS</b>							
1-C	High Limit 135F (Screw-In)	600892B	600892B	600892B	600892B	600892B	600892B
2-C	High Limit 140F (Screw-In)	600893B	600893B	600893B	600893B	600893B	600893B
3-C	Thermostat Control	003346F	003346F	003346F	003346F	003346F	003346F
4-C	Manual Hi Limit Control	009554F	009554F	009554F	009554F	009554F	009554F
5-C	Low Water Cut Off (Cal Code Only)	006202F	006202F	006202F	006202F	006202F	006202F
6-C	Temp Controller, 0-100 °F (Not Shown)	006040	006040	006040	006040	006040	006040
7-C	Flow Switch	007142F	007142F	007142F	007142F	007142F	007142F
8-C	Flow Switch Paddle						
	McDonnell Miller	004079F	004079F	004079F	004079F	004079F	004079F
	Taco	010026F	010026F	010026F	010026F	010026F	010026F
<b>G GAS VALVE</b>							
1-G	Combination Valve Nat. Millivolt	003898F	003898F				
	Combination Valve Pro. Millivolt	003899F	003899F				
	Combination Valve Nat. Standing Pilot 24V	004868F	004868F				
	Combination Valve Pro. Standing Pilot 24V	003569F	003569F				
	Combination Valve Nat. IID	003900F	003900F	004877F	004877F	004877F	600631
	Combination Valve Pro. IID	004306F	004306F	004878F	004878F	004878F	004878F
	Combination Valve Nat. IID CSD-1						600631
	Combination Valve Pro. IID CSD-1						600692
	Auto On/Off Gas Valve CSD-1 1"						004093F
	Pilot Gas Valve, 24V, IID Only			600562	600562	600562	600562
	Pilot Regulator Nat., IID Only			600217	600217	600217	600217
	Pilot Regulator Pro, IID Only			003568F	003568F	003568F	003568F
	Manual "A" Valve 1"			007189F	007189F	007189F	007189F
	Manual "B" Valve			007195F	007195F	007195F	007195F
	Bleedle Valve 1/4 CMP			007422F	007422F	007422F	007422F
	Bleedle Valve 1/8 NPT			007423F	007423F	007423F	007423F
<b>H HEAT EXCHANGER</b>							
1-H	Heat Exchange Assy. (Complete)	002466F	002467F	002468F	002469F	002470F	002471F
2-H	Inlet/Outlet Header						
	For use with a screw-in high limit	002473F	002473F	002473F	002473F	002473F	002473F
	For use with bulb mounted high limit	N/A	NA	002489F	002489F	002489F	002489F
3-H	Return Header	002491F	002491F	002491F	002491F	002491F	002491F
4-H	Tube Bundle	003161F	003162F	003163F	003164F	003165F	003166F
5-H	Heat Exchange Tube	002379F	002380F	002387F	002388F	002389F	002390F
6-H	Baffle Kit	001616F	001617F	001618F	001619F	001620F	001621F
7-H	Bolt Kit	001051F	001051F	001051F	001051F	001051F	001051F
8-H	Header Gasket	800086B	800086B	800086B	800086B	800086B	800086B
9-H	Unitherm Governor	002475F	002475F	002475F	002475F	002475F	002475F
10-H	Drain Valve 1/4 NPT	014158F	014158F	014158F	014158F	014158F	014158F
11-H	Sensor Well	007211F	007211F	007211F	007211F	007211F	007211F
12-H	Well Retainer Clip	300203	300203	300203	300203	300203	300203
15-H	Manual Bypass Valve	006994F	006994F	006994F	006994F	006994F	006994F
13-H	Inlet/Outlet Flange	002477F	002477F	002477F	002477F	002477F	002477F
14-H	Flange Gasket	800080B	800080B	800080B	800080B	800080B	800080B
<b>J J BOX</b>							
1-J	J Box Nat. IID (Complete)	002648F	002648F	002648F	002648F	002648F	002648F
	J Box Pro. IID (Complete)	002653F	002653F	002653F	002653F	002653F	002653F
2-J	J-Box Nat./Pro. IID/Lock (Complete)	002479F	002479F	002479F	002479F	002479F	002479F
3-J	Transformer 120/240/24V	006736F	006736F	006736F	006736F	006736F	006736F
4-J	Toggle Switch	650761	650761	650761	650761	650761	650761
	Toggle Switch (Remote Spa)	650760	650760	650760	650760	650760	650760

\*FOR ALTITUDES ABOVE 2,000 FEET ABOVE SEA LEVEL, CONSULT THE FACTORY.

**APPROVED**

CALL OUT	DESCRIPTION	334	404	514	624	724	824
<b>M</b>	<b>MISCELLANEOUS COMPONENTS</b>						
1-M	Pressure Switch	062237B	062237B	062237B	062237B	062237B	062237B
2-M	Pressure Switch Tube Assy.	003273F	003273F	003273F	003273F	003273F	003273F
3-M	Thermostat Knob	006885F	006885F	006885F	006885F	006885F	006885F
4-M	Knobstop	006886F	006886F	006886F	006886F	006886F	006886F
5-M	Dial Plate	900536	900536	900536	900536	900536	900536
6-M	PRV 125 PSI	007224F	007224F	007224F	007224F	007224F	007224F
7-M	Delimiting Kit	052870F	052870F	052870F	052870F	052870F	052870F
8-M	Power Vent Motor			951105F	951105F	951105F	951105F
9-M	Power Vent Wheel			951106F	951106F	951106F	951106F
10-M	Power Vent PC Board			005503F	005503F	005503F	005503F
11-M	Power Vent Pressure Switch			601212	601212	601212	601212
12-M	Touch-up Paint Green	750125	750125	750125	750125	750125	750125
<b>P</b>	<b>PILOT</b>						
1-P	Pilot Nat. Standing	N/A	N/A				
	Pilot Pro. Standing	N/A	N/A				
	Pilot Nat. Standing (Remote Spa)	002412F	002412F				
	Pilot Pro. Standing (Remote Spa)	002413F	002413F				
2-P	Pilot Nat. IID	002234F	002234F	002234F	002234F	002234F	002234F
	Pilot Pro. IID			002235F	002235F	002235F	002235F
3-P	Pilot Orifice Nat. Standing	600552	600552				
	Pilot Orifice Pro. Standing	N/A	N/A				
4-P	Pilot Orifice Nat. IID	600552	600552	600552	600552	600552	600552
	Pilot Orifice Pro. IID			600894	600894	600894	600894
5-P	Pilot Generator Standing	600019B	600019B				
	Thermocouple (Remote Spa)	600003	600003				
6-P	Igniter Standing (Piezo)	N/A	N/A				
7-P	Ignition Control IID Nat.	004817B	004817B	004817B	004817B	004817B	004817B
	Ignition Control IID Pro.			004818B	004818B	004818B	004818B
8-P	Mounting Bracket Standing	N/A	N/A				
9-P	Mounting Bracket IID	304666	304666	304666	304666	304666	304666
10-P	Ignition Rod Standing	N/A	N/A				
11-P	Ignition Wire IID	016514F	016514F	016514F	016514F	016514F	016514F
12-P	Pilot Tube Standing	004078F	004078F				
13-P	Pilot Tube IID (Specify Length)	400013	400013	400013	400013	400013	400013
14-P	High Tension Wire	002663B	002663B	002663B	002663B	002663B	002663B
<b>R</b>	<b>REFRACTORY</b>						
1-R	Refractory Kit	001312F	001313F	001314F	001315F	001316F	001317F
2-R	Refractory Retainer Kit	001627F	001627F	001627F	001627F	001627F	001627F
<b>S</b>	<b>SHEET METAL</b>						
1-S	Jacket Top						
	Units manufactured prior to 07/27/16	N/A	N/A	002419F	002420F	002421F	002422F
	Units manufactured from 07/27/16			016054F	016055F	016056F	016057F
2-S	Flue Collector	N/A	N/A	002425F	002426F	002427F	002428F
3-S	Door Assy. (Units manufactured prior to 07/27/16)	N/A	N/A	001836F	001837F	001838F	001839F
	Door Assy. w/ Side Latch (Units manufactured from 07/27/16)	N/A	N/A	014176F	014177F	014178F	014179F
4-S	Access Panel Group	001841F	001841F	001841F	001841F	001841F	001841F
5-S	J Box Sheetmetal	002668F	002668F	002668F	002668F	002668F	002668F
6-S	Combustible Floor Shield	N/A	N/A	001111	001112	001113	001114
7-S	Low Water Cut Off Control Cover	016629F	016629F	016629F	016629F	016629F	016629F
<b>V</b>	<b>VENTING</b>						
1-V	Stackless Top Kit (Outdoor)	N/A	N/A	001103	001104	001105	001106
2-V	Draft Hood Kit (Indoor)	N/A	N/A	001457	001458	001459	001460

For gas conversions, please consult the factory.



Raypak, Inc. 2151 Eastman Avenue, Oxnard, CA 93030 (805) 278-5300 www.raypak.com

Litho in U.S.A

**UNCONTROLLED DOCUMENT IF PRINTED**