

POOL
MODEL: 053A

CATALOG NO. 9100.151
Effective: 09-26-11
Replaces: 12-09-08

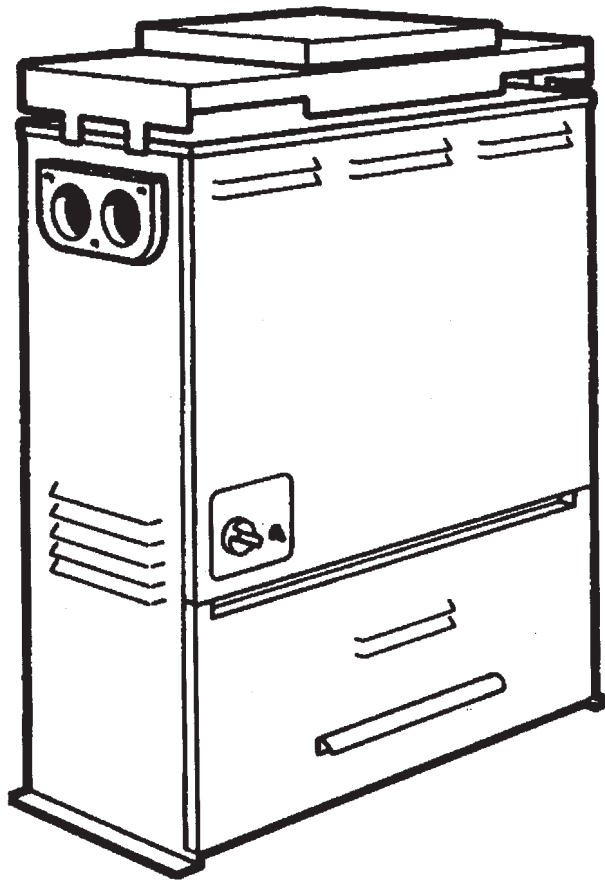
RAYPAK ILLUSTRATED PARTS LIST

MODEL SIZE: 053A

MODEL TYPE: WHG SPA PAK

DATES OF MANUFACTURE: 01-01-84 THRU 03-01-86

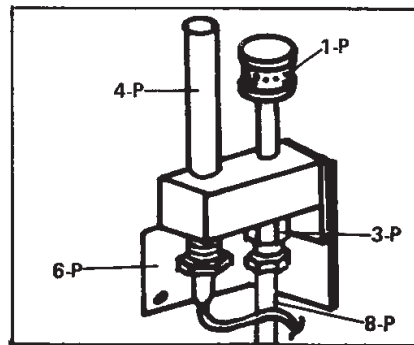
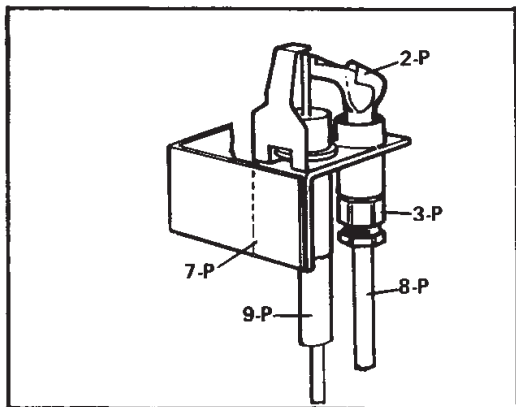
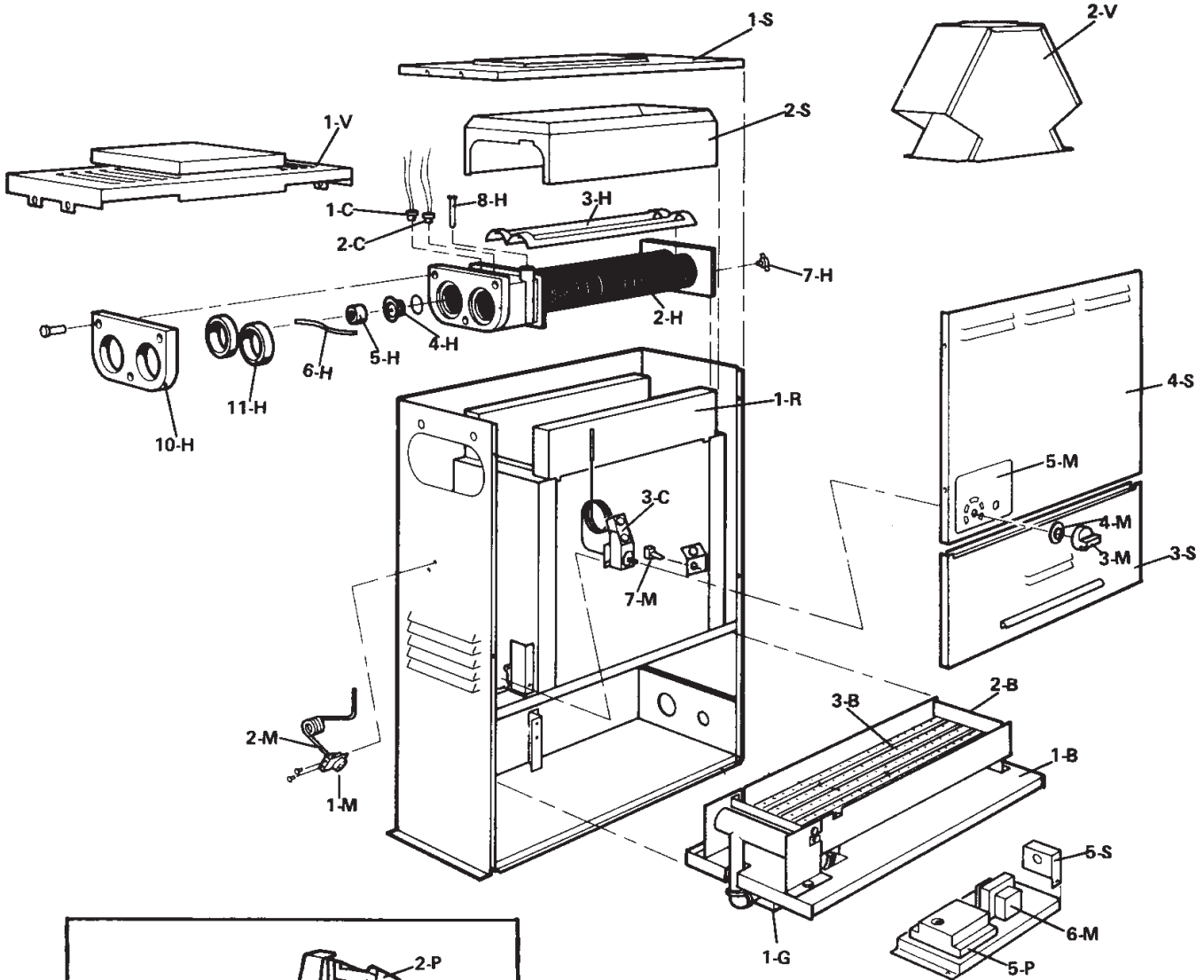
THE PARTS LISTED ARE FOR STANDARD EQUIPMENT FOR THIS MODEL TYPE. RAYPAK RESERVES THE RIGHT TO SUBSTITUTE, DELETE OR CHANGE ANY PART WITHOUT NOTIFICATION. THE ADDITION OF OPTIONS MAY ALSO CHANGE SOME OF THE PARTS. ORDER REPLACEMENT PARTS FROM ACTUAL HEATER COMPONENTS.



FOR DETAILED INSTRUCTIONS, SEE "HOW TO USE YOUR RAYPAK ILLUSTRATED PARTS LIST",
CATALOG NO. 9001.10



Raypak, Inc., 2151 Eastman Avenue, Oxnard, CA 93030
(805) 278-5300 Fax (800) 872-9725
Litho In U.S.A.



CALL OUT	DESCRIPTION	SPA-PAK
B	BURNER TRAY**	
1-B	Burner Tray Assy. w/Burners (Sea Level)*	N/A
2-B	Burner Hold Down	N/A
3-B	Burner	301210/4
4-B	Burner Orifice Nat.#51 (Not Shown)(Sea Level)* Burner Orifice Pro.#59 (Not Shown)(Sea Level)*	350080/4 350350/4
C	CONTROLS	
1-C	Hi Limit 135°F	600889B
2-C	Hi Limit 140°F	600890B
3-C	Thermostat Control	003346F
G	GAS VALVES	
1-G	Combination Valve 1/2" Nat. Combination Valve 1/2" Pro. Combination Valve 1/2" Nat. IID	003898F 003899F 003900F
H	HEAT EXCHANGER	
1-H	Heat Exchanger Assy.	N/A
2-H	Header/Tube Kit	N/A
3-H	Baffle Kit	N/A
4-H	Unitherm Governor	600885
5-H	U. G. Cap	400734
6-H	U. G. Spring	850247
7-H	Drain Valve	013793F
8-H	Sensor Well	007211F
9-H	Bulb Retainer Clip (Not Shown)	300203
10-H	Inlet/Outlet Flange	002432F
11-H	Flange Gasket	800013B
M	MISCELLANEOUS COMPONENTS	
1-M	Pressure Switch	062237B
2-M	Pressure Switch Tube Assy.	003275F
3-M	Thermostat Knob	006885F
4-M	Knob Stop	006886F
5-M	Dial Plate Std. Dial Plate IID	
6-M	Transformer (IID Unit)	006736F
7-M	Toggle Switch	650595
P	PILOT	
1-P	Pilot Nat. Pilot Pro.	600525B 600575B
2-P	Pilot Nat. IID	002003F
3-P	Pilot Orifice Nat. Pilot Orifice Pro. Pilot Orifice Nat. IID	003901F 003902F 003903F
4-P	Pilot Generator Standing	600019B
5-P	Ignition Control IID	004817B
6-P	Pilot Mounting Bracket Standing	N/A
7-P	Pilot Mounting Bracket IID	N/A
8-P	Pilot Tube	004078F
9-P	Hi Tension Wire	002654B

*FOR ALTITUDES ABOVE 2,000 FEET ABOVE SEA LEVEL CONSULT THE FACTORY.

**REPLACEMENT BURNER TRAYS ARE BUILT FOR SEA LEVEL, NATURAL GAS APPLICATIONS UNLESS OTHERWISE SPECIFIED AT THE TIME THE ORDER IS PLACED.

CALL OUT	DESCRIPTION	SPA-PAK
R	REFRACTORY	
1-R	Refractory Block Kit	N/A
S	SHEETMETAL	
1-S	Jacket Top	002525F
2-S	Flue Collector	002530F
3-S	Door Assy.	N/A
4-S	Upper Jacket Control Panel	N/A
5-S	Wiring Box	
V	VENTING	
1-V	Stackless Top Kit (Outdoor)	N/A
2-V	Drafthood Kit (Indoor)	003722

CONVERSION KITS**		
	Standing Pilot Nat. to Pro.	N/A
	Standing Pilot Pro. to Nat.	N/A
	Electric Pilot Nat to Pro.	N/A

****GAS CONVERSIONS TO BE DONE BY QUALIFIED AGENCY
FOR GAS CONVERSIONS, CONSULT THE FACTORY.**



ISO 9001

Registered Quality Management System

www.raypak.com