

**POOL**  
**MODELS: 185A thru 405A**

CATALOG NO. 9100.55  
Effective: 07-01-17  
Replaces: 01-15-16

## RAYPAK REPLACEMENT PARTS

**MODEL SIZE: Models 185A, 265A, 335A & 405A**

**MODEL TYPE: WHG VERSA**

DATE OF MANUFACTURE: 11-1-86 THROUGH 10-15-88

THE PARTS LISTED ARE FOR STANDARD EQUIPMENT FOR THIS MODEL TYPE. RAYPAK RESERVES THE RIGHT TO SUBSTITUTE, DELETE OR CHANGE ANY PART WITHOUT NOTIFICATION. THE ADDITION OF OPTIONS MAY ALSO CHANGE SOME OF THE PARTS. ORDER REPLACEMENT PARTS FROM ACTUAL HEATER COMPONENTS.



FOR DETAILED INSTRUCTIONS ON "HOW TO USE YOUR RAYPAK ILLUSTRATED PARTS LIST"  
SEE 9001.10 INSTRUCTION SHEET.



Raypak, Inc., 2151 Eastman Avenue, Oxnard, CA 93030  
(805) 278-5300 FAX (800) 872-9725  
Litho In U.S.A.

INLET/OUTLET HEADER DETAIL

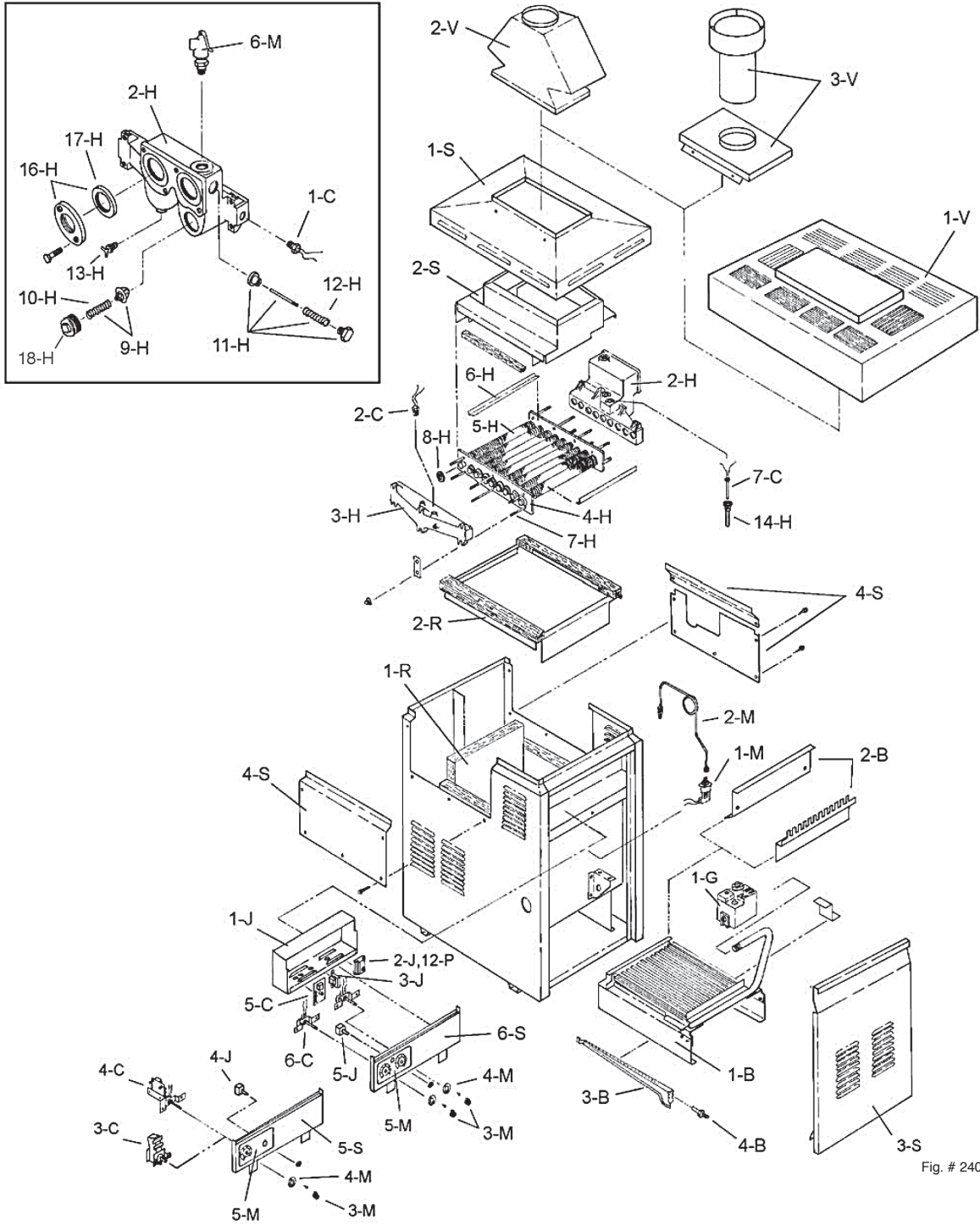
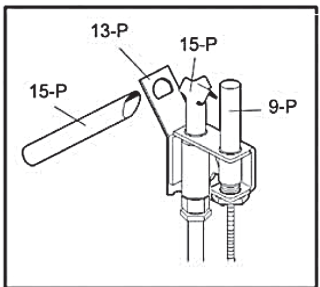
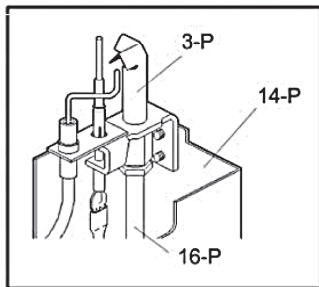


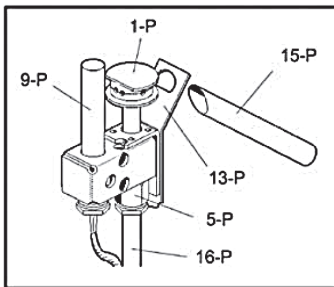
Fig. # 240665



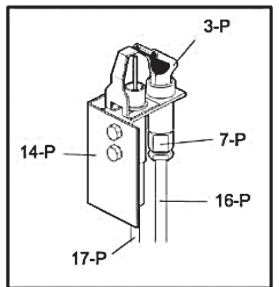
Robertshaw MV Fig. # 8123



Robertshaw IID Fig. # 8122



Honeywell MV Fig. # 8107



Honeywell IID Fig. # 8124

CALL OUT	DESCRIPTION	185A	265A	335A	405A
<b>B</b>	<b>BURNER TRAY**</b>				
1-B	Burner Tray w/Burners (Sea Level)*	N/A	N/A	N/A	N/A
	Burner Tray w/o Burner (Sea Level)*	N/A	N/A	N/A	N/A
2-B	Burner Spacer/Hold Down Kit	N/A	N/A	N/A	N/A
3-B	Burner	301210/12	301210/17	301210/21	301210/26
4-B	Burner Orifice Nat. #50 (Sea Level)*	350079F/12	350079F/17	350079F/21	350079F/26
	Burner Orifice Pro. #57 (Sea Level)*	350083F/12	350083F/17	350083F/21	350083F/26
<b>C</b>	<b>CONTROLS</b>				
1-C	High Limit 135°	600892B	600892B	600892B	600892B
2-C	High Limit 140°	600893B	600893B	600893B	600893B
3-C	Thermostat Control MV (Mechanical)	003346F	003346F	003346F	003346F
4-C	Thermostat Control IID (Solid State)	005390F	005390F	005390F	005390F
5-C	PC Board	005086B	005086B	005086B	005086B
6-C	Potentiometer	005087B	005087B	005087B	005087B
7-C	Temperature Sensor	005088B	005088B	005088B	005088B
<b>G</b>	<b>GAS VALVE</b>				
1-G	Combination Valve - Nat. MV	003898F	003898F	003898F	003898F
	Combination Valve - Pro. MV	003899F	003899F	003899F	003899F
	Combination Valve - Nat. IID	003900F	003900F	003900F	003900F
	Combination Valve - Pro. IID	004306F	004306F	004306F	004306F
<b>H</b>	<b>HEAT EXCHANGER</b>				
1-H	Heat Exchanger Assy. CI (Complete)	003752F	003753F	003754F	003755F
	Heat Exchanger Assy. BR (Complete)	N/A	N/A	N/A	N/A
2-H	Inlet/Outlet Header CI	003759F	003759F	003759F	003759F
	Inlet/Outlet Header BR	N/A	N/A	N/A	N/A
3-H	Return Header CI	002450F	002450F	002450F	002450F
	Return Header BR	002451F	002451F	002451F	002451F
4-H	Tube Bundle	004671F	004672F	004673F	004674F
5-H	Heat Exchange Tube	002456F	002457F	002458F	002459F
6-H	Baffle Kit	001299F	001300F	001301F	001302F
7-H	Bolt Kit	N/A	N/A	N/A	N/A
8-H	Header Gasket	800014B	800014B	800014B	800014B
9-H	Unitherm Governor	062234B	062234B	062234B	062234B
10-H	U.G. Retainer Spring	013792F	013792F	013792F	013792F
18-H	U.G. Plug	013738F	013738F	013738F	013738F
11-H	Bypass Valve Assembly	016194F	016194F	016194F	016194F
12-H	Bypass Spring	850252	013794F	013794F	013794F
13-H	Drain Valve	013793F	013793F	013793F	013793F
14-H	Sensor Well	003765F	003765F	003765F	003765F
15-H	Well Retaining Clip	300203	300203	300203	300203
16-H	Inlet & Outlet Flange	003766F	003766F	003766F	003766F
17-H	Flange Gasket 1 1/2" Connections	062236B	062236B	062236B	062236B
	Flange Gasket 2" Connections	800080B	800080B	800080B	800080B
<b>J</b>	<b>J BOX/CONTROL BOX</b>				
1-J	Control Box IID w/o Thermostat Nat	N/A	N/A	N/A	N/A
	Control Box IID w/o Thermostat Pro	N/A	N/A	N/A	N/A
2-J	Ignition Control IID Nat	004817B	004817B	004817B	004817B
	Ignition Control IID Pro	004818B	004818B	004818B	004818B
3-J	Transformer 120/240/24V	006736F	006736F	006736F	006736F
4-J	Toggle Switch (MV Units)	650761	650761	650761	650761
5-J	Toggle Switch (IID Units)	650760	650760	650760	650760

\*FOR ALTITUDES ABOVE 2,000 FEET LEVEL, CONSULT THE FACTORY.

\*\*REPLACEMENT BURNER TRAYS ARE BUILT FOR SEA LEVEL, NATURAL GAS APPLICATIONS UNLESS OTHERWISE SPECIFIED AT THE TIME THE ORDER IS PLACED.

CALL OUT	DESCRIPTION	185A	265A	335A	405A
<b>M</b>	<b>MISCELLANEOUS COMPONENTS</b>				
1-M	Pressure Switch	062237B	062237B	062237B	062237B
2-M	Pressure Switch Tube Assy.	003272F	003272F	003272F	003272F
3-M	Thermostat Knob	006885F	006885F	006885F	006885F
4-M	Knobstop	006886F	006886F	006886F	006886F
5-M	Dial Plate MV Pilot CI	N/A	N/A	N/A	N/A
	Dial Plate MV Pilot BR	900741	900741	900741	900741
	Dial Plate IID Pilot CI	N/A	N/A	N/A	N/A
	Dial Plate IID Pilot BR	N/A	N/A	N/A	N/A
6-M	PRV 125 PSI	008091F	011912F	011912F	011912F
7-M	Delimiting Kit	052871F	052871F	052871F	052871F
8-M	Wire/Harness STD	004007F	004007F	004007F	004007F
	Wire/Harness IID	004008F	004008F	004009F	004009F
<b>P</b>	<b>PILOT</b>				
1-P	Pilot Nat. MV	600525B	600525B	600525B	600525B
	Pilot Pro. MV	600575B	600575B	600575B	600575B
3-P	Pilot Nat. IID	002003F	002003F	002003F	002003F
	Pilot Pro IID	002003F	002003F	002003F	002003F
5-P	Pilot Orifice Nat. MV	003901F	003901F	003901F	003901F
	Pilot Orifice Pro. MV	003902F	003902F	003902F	003902F
7-P	Pilot Orifice Nat. IID	003903F	003903F	003903F	003903F
	Pilot Orifice Pro. IID	004308F	004308F	004308F	004308F
9-P	Pilot Generator MV	600019B	600019B	600019B	600019B
12-P	Ignition Control IID Nat.	004817B	004817B	004817B	004817B
	Ignition Control IID Pro.	004818B	004818B	004818B	004818B
13-P	Pilot MTG Bracket MV	305161F	305161F	305161F	305161F
14-P	Pilot MTG Bracket IID	305160F	305160F	305160F	305160F
15-P	Lighter Tube (MV Units Only)	052797F	052797F	052797F	052797F
16-P	Pilot Tube	004078F	004078F	004078F	004078F
17-P	Hi Tension Wire IID	002654B	002654B	002654B	002654B
<b>R</b>	<b>REFRACTORY</b>				
1-R	Refractory Kit	001295F	001296F	001297F	001298F
2-R	Refractory Retainer Kit	001304F	001305F	001306F	001307F
<b>S</b>	<b>SHEETMETAL</b>				
1-S	Jacket Top	N/A	N/A	N/A	N/A
2-S	Flue Collector	N/A	N/A	N/A	N/A
3-S	Door Assy.	N/A	N/A	N/A	N/A
4-S	Access Panel Group	N/A	N/A	N/A	N/A
5-S	Control Panel MV Pilot	N/A	N/A	N/A	N/A
6-S	Control Panel IID Pilot	N/A	N/A	N/A	N/A
<b>V</b>	<b>VENTING</b>				
1-V	Stackless Top (Outdoor)	N/A	N/A	N/A	N/A
2-V	Draffhood (Indoor)	003724F	003725F	003726	003727
3-V	Outdoor Stack w/Adapter	N/A	N/A	N/A	N/A
4-V	Outdoor Stack	N/A	N/A	N/A	N/A

<b>CONVERSION KITS**</b>					
<b>Gas Conversions</b>					
	Nat. to Pro. MV Pilot	004690B	004690B	004692B	004692B
	Pro. to Nat. MV Pilot	004691F	004691F	004693F	004693F
	Nat. to Pro. IID Pilot	N/A	N/A	N/A	N/A
	Pro. to Nat. IID Pilot	N/A	N/A	N/A	N/A
<b>Thermostat Conversions MV</b>					
	Single Stat to Dual Stat	N/A	N/A	N/A	N/A

\*\*GAS CONVERSIONS ARE TO BE DONE ONLY BY A QUALIFIED AGENCY.  
FOR GAS CONVERSIONS, CONSULT THE FACTORY.