

POOL
MODEL: 105A

CATALOG NO. 9100.24
Effective: 01-01-16
Replaces: 11-21-13

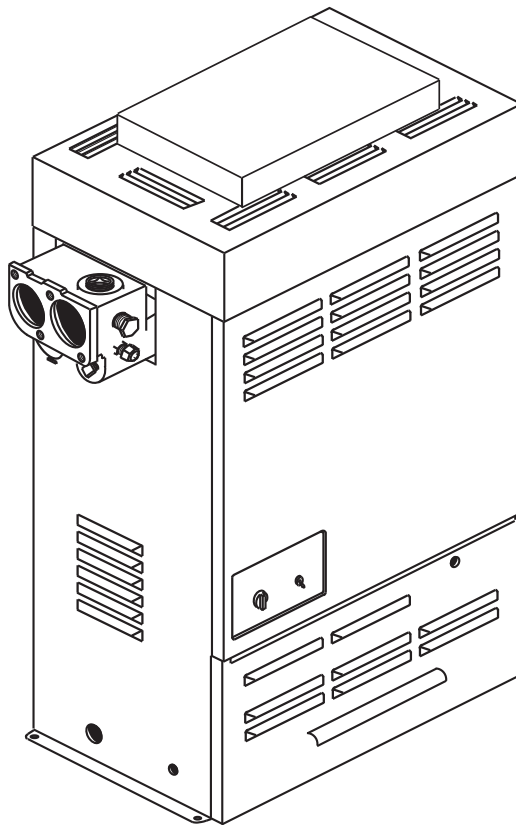
RAYPAK ILLUSTRATED PARTS LIST

MODEL SIZE: 105A

MODEL TYPE: WHG VERSA (CAST IRON, BRASS)

DATE OF MANUFACTURE: 10-01-91 THROUGH 05-30-99

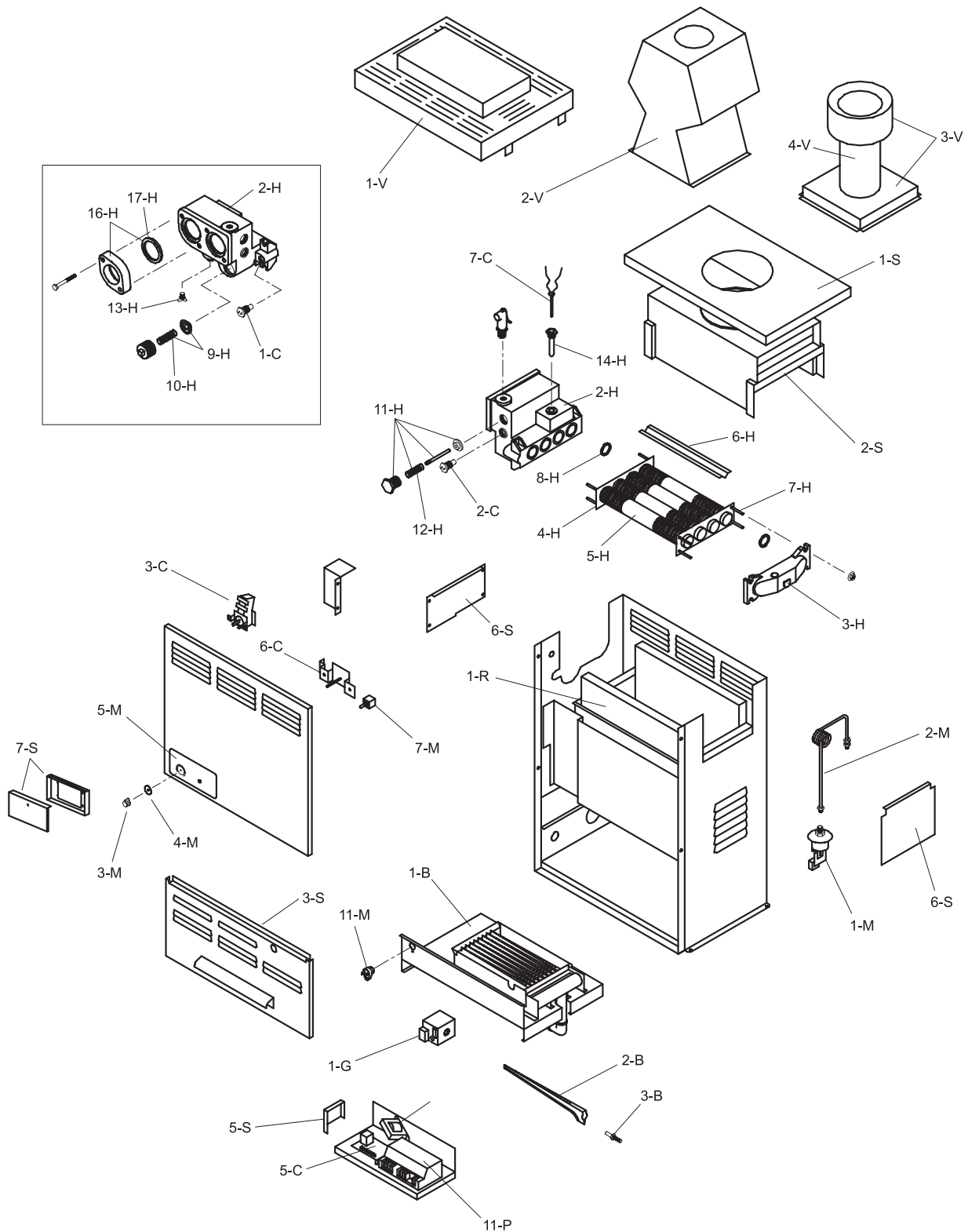
THE PARTS LISTED ARE FOR STANDARD EQUIPMENT FOR THIS MODEL TYPE. RAYPAK RESERVES THE RIGHT TO SUBSTITUTE, DELETE OR CHANGE ANY PART WITHOUT NOTIFICATION. THE ADDITION OF OPTIONS MAY ALSO CHANGE SOME OF THE PARTS. ORDER REPLACEMENT PARTS FROM ACTUAL HEATER COMPONENTS.



FOR DETAILED INSTRUCTIONS, SEE "HOW TO USE YOUR RAYPAK ILLUSTRATED PARTS LIST",
CATALOG NO. 9001.10



Raypak, Inc., 2151 Eastman Avenue, Oxnard, CA 93030
(805) 278-5300 Fax (800) 872-9725
Litho In U.S.A.



MILLIVOLT PILOT

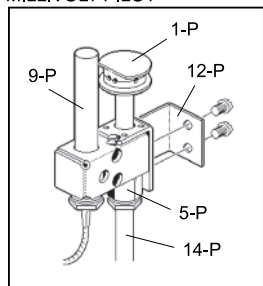


FIG # 8132

IID PILOT

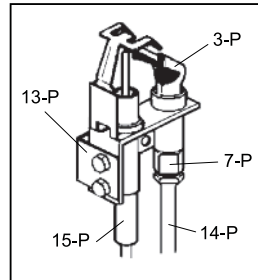


FIG # 8133

CALL OUT	DESCRIPTION	PREMIUM BRONZE	CAST IRON
B	BURNER TRAY		
1-B	Burner Tray w/Burners (Sea Level)*	004899F	004899F
2-B	Burner	301210/8	301210/8
3-B	Burner Orifice Nat. #51 (Sea Level)*	350080F/8	350080F/8
	Burner Orifice Pro. #59 (Sea Level)*	350350F/8	350350F/8
C	CONTROLS		
1-C	High Limit 135°F	600892B	600892B
2-C	High Limit 140°F	600893B	600893B
3-C	Thermostat Control MV (Mechanical)	003346F	003346F
4-C	Thermostat Control IID (Solid State)	005389F	005389F
5-C	PC Board	005086B	005086B
6-C	Potentiometer	005087B	005087B
7-C	Temperature Sensor	005088B	005088B
G	GAS VALVE		
1-G	Combination Valve Nat. MV	003898F	003898F
	Combination Valve Pro. MV	003899F	003899F
	Combination Valve Nat. IID	003900F	003900F
	Combination Valve Pro. IID	004306F	004306F
H	HEAT EXCHANGER		
1-H	Heat Exchanger Assy. (Complete)	004900F	004961F
2-H	Inlet/Outlet Header	004901F	004933F
3-H	Return Header	004902F	004934F
4-H	Tube Bundle	004903F	004903F
5-H	Heat Exchange Tube	003961F	003961F
6-H	Baffle Kit	003964F	003964F
7-H	Bolt Kit	N/A	N/A
8-H	Header Gasket	800014B	800014B
9-H	Unitherm Governor	062234B	
10-H	U.G. Retainer Spring	013792F	
11-H	Bypass Valve	062235B	062235B
12-H	Bypass Spring	850252	850252
13-H	Drain Valve	013793F	013793F
14-H	Sensor Well	003765F	003765F
15-H	Well Retaining Clip	300203	300203
16-H	Inlet & Outlet Flange	003766F	004056F
17-H	Flange Gasket 1-1/2" Connections	062236B	800013B
	Flange Gasket 2" Connections	800080B	
M	MISCELLANEOUS COMPONENTS		
1-M	Pressure Switch	062237B	062237B
2-M	Pressure Switch Tube Assy.	004904F	004904F
3-M	Thermostat Knob	006885F	006885F
4-M	Knob Stop	006886F	006886F
5-M	Dial Plate MV	900741	900748
	Dial Plate IID	900742	900749
6-M	Transformer (IID Unit)	006736F	006736F
7-M	Toggle Switch	650595	650595
8-M	Wire Harness MV	N/A	N/A
	Wire Harness IID	004906F	004906F
9-M	PRV 125 PSI	008091F	008091F
10-M	Delimiting Kit	052871F	052871F
11-M	Thermal Fuse	005899F	005899F
12-M	Touch-up Paint Green	750125	750125

*For altitudes above 2,000 feet above sea level, consult the factory.

CALL OUT	DESCRIPTION	PREMIUM BRONZE	CAST IRON
P	PILOT		
1-P	Pilot Nat. MV	600525B	600525B
	Pilot Pro. MV	600575B	600575B
3-P	Pilot Nat. IID	002003F	002003F
	Pilot Pro. IID	002003F	002003F
5-P	Pilot Orifice Nat. MV	003901F	003901F
	Pilot Orifice Pro. MV	003902F	003902F
7-P	Pilot Orifice Nat. IID	003903F	003903F
	Pilot Orifice Pro. IID	004308F	004308F
9-P	Pilot Generator MV	600019B	600019B
11-P	Ignition Control IID Nat.	004817B	004817B
	Ignition Control IID Pro.	004818B	004818B
12-P	Pilot Mounting Bracket MV	004907F	004907F
13-P	Pilot Mounting Bracket IID	004908F	004908F
	Pilot Tube	004078F	004078F
15-P	Hi Tension Wire IID	002654B	002654B
R	REFRACTORY		
1-R	Refractory Block Kit	004909F	004909F
S	SHEETMETAL		
1-S	Jacket Top	004910F	004910F
2-S	Flue Collector	004911F	004911F
3-S	Door Assy.	004912F	004912F
4-S	Upper Jacket Control Panel	004913F	004913F
5-S	Wiring Box	306899	306899
6-S	Access Panel	004914F	004914F
7-S	Poolstat Cover/Lock Box	006492F	006492F
V	VENTING		
1-V	Stackless Top (Outdoor)	004898	004898
2-V	Draffhood (Indoor)	004897	004897
3-V	Outdoor Stack w/Adapter (Outdoor)	004301	004301
4-V	Outdoor Stack	N/A	N/A

CONVERSION KITS**	105
Gas Conversions	
Nat. to Pro. MV Units	004915B
Pro. to Nat. MV Units	004916B
Nat. to Pro. IID Units	004917F
Pro. to Nat. IID Units	004918F

** Gas Conversions are to be done only by a qualified agency.



Registered Quality Management System

www.raypak.com