

POOL
MODELS: 5310ti THRU 8320ti HEAT PUMP

CATALOG NO. 9100.76
Effective: 09-01-16
Replaces: 09-01-15

RAYPAK ILLUSTRATED PARTS LIST

MODEL SIZE: 5310ti, 6310ti & 8320ti
MODEL TYPE: HEAT PUMP POOL HEATER
DATES OF MANUFACTURE: 09-08 THRU 12-09

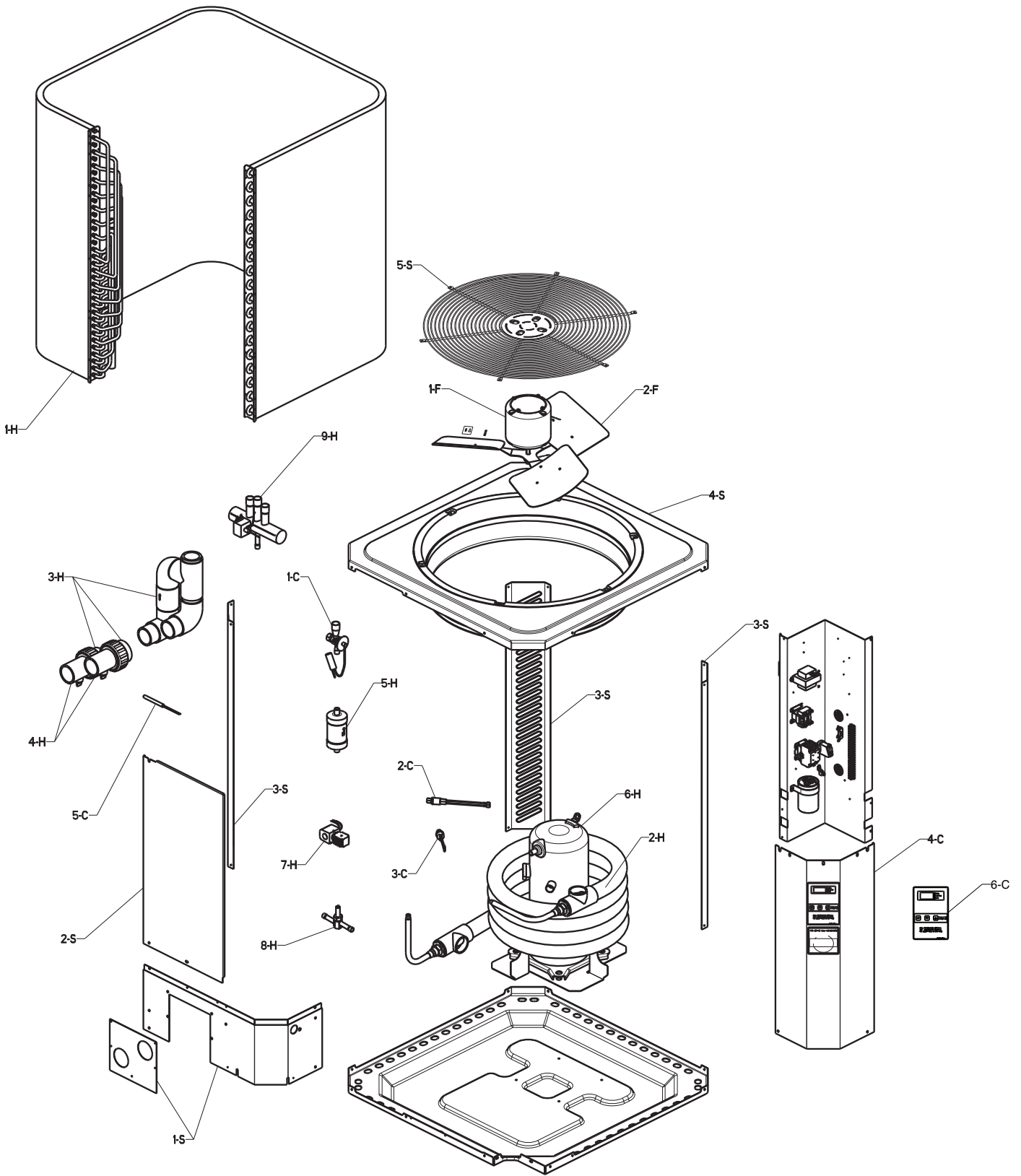
THE PARTS LISTED ARE FOR STANDARD EQUIPMENT FOR THIS MODEL TYPE. RAYPAK RESERVES THE RIGHT TO SUBSTITUTE, DELETE OR CHANGE ANY PART WITHOUT NOTIFICATION. THE ADDITION OF OPTIONS MAY ALSO CHANGE SOME OF THE PARTS. ORDER REPLACEMENT PARTS FROM ACTUAL HEATER COMPONENTS.

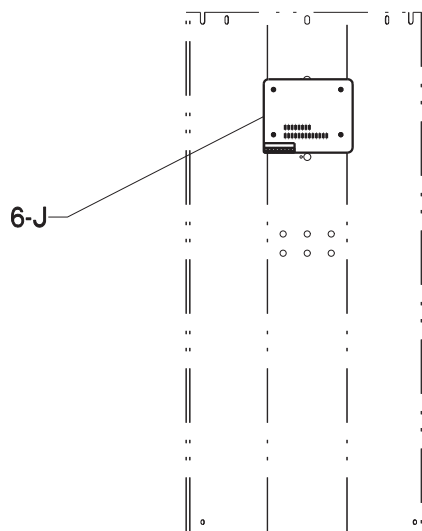
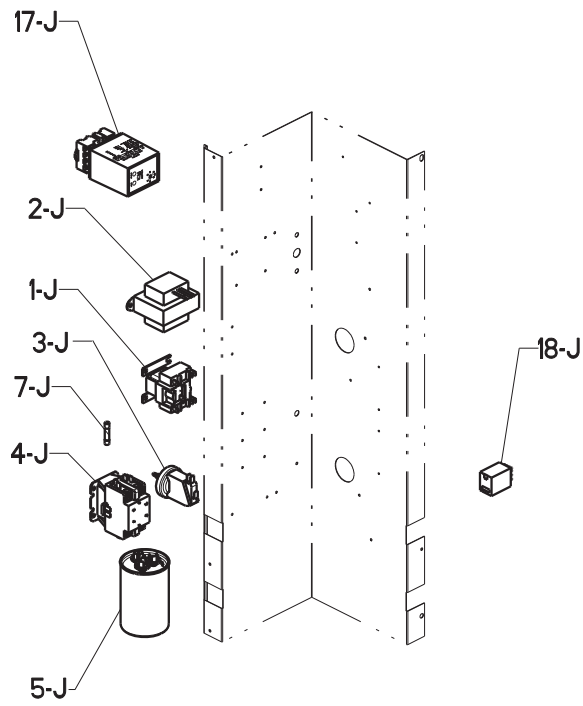


FOR DETAILED INSTRUCTIONS, SEE "HOW TO USE YOUR ILLUSTRATED PARTS LIST",
CATALOG NO. 9001.10

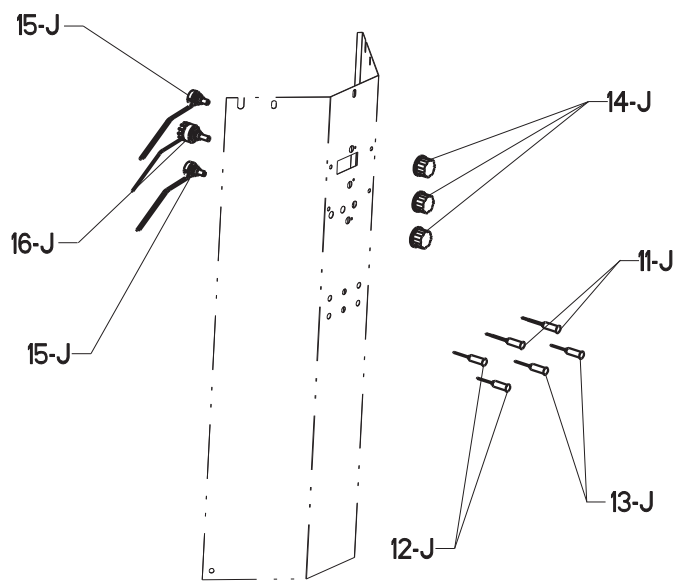
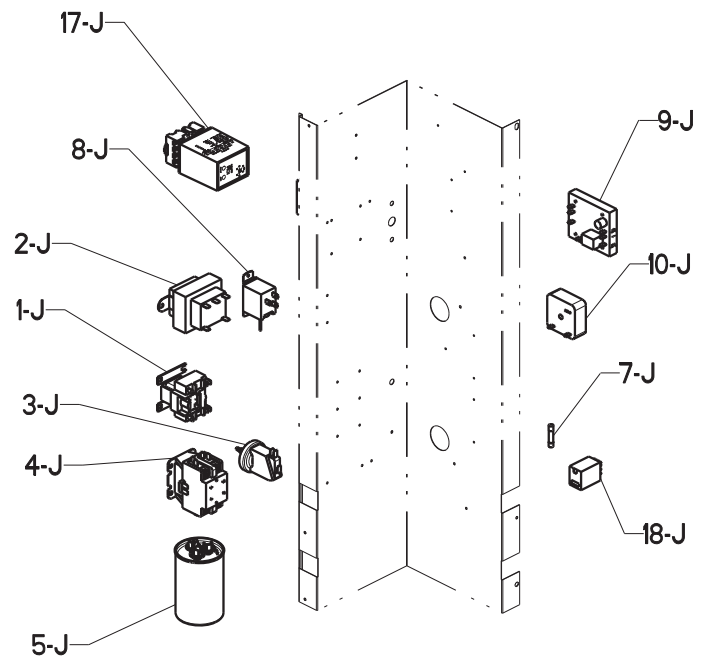


Raypak, Inc., 2151 Eastman Avenue, Oxnard, CA 93030
(805) 278-5300 Fax (800) 872-9725
Litho In U.S.A.





DIGITAL



ANALOG

CALLOUT	DESCRIPTION	RAYPAK			PERFECTEMP			RHEEM		
		R5310ti	R6310ti*	R8320ti	P5310ti	P6310ti*	P8320ti	M5310ti	M6310ti*	M8320ti
CONTROLS										
1-C	TX Valve Heat Heat Cool	H000009	H000009 H000128	H000009	H000009	H000009 H000128	H000009	H000009	H000009 H000128	H000009
2-C	High Pressure Switch	H000015	H000015	H000015	H000015	H000015	H000015	H000015	H000015	H000015
3-C	Low Pressure Switch	H000013	H000013	H000013	H000013	H000013	H000013	H000013	H000013	H000013
4-C	Control Cover (Including 6-C) Digital (Shown) Analog	H000052 H000054	H000052 H000054	H000052 H000054	H000099 H000100	H000099 H000100	H000099 H000100	H000095 H000096	H000095 H000096	H000095 H000096
6-C	Control Label Analog Digital	N/A H000330	N/A H000330	N/A H000330	N/A H000330	N/A H000330	N/A H000330	N/A H000330	N/A H000330	N/A H000330
5-C	Temperature Sensor 10K Temperature Sensor 5K	H000002	H000002 H000027	H000002	H000002	H000002 H000027	H000002	H000002	H000002 H000027	H000002
HEAT TRANSFER										
1-H	Evaporator Coil Heat	H000069	H000069	H000070	H000069	H000069	H000070	H000069	H000069	H000070
2-H	Heat Exchanger	H000022	H000022	H000024	H000022	H000022	H000024	H000022	H000022	H000024
3-H	Bypass Assembly	H000042	H000042	H000042	H000042	H000042	H000042	H000042	H000042	H000042
4-H	PVC Union with Built-In Drain	H000317	H000317	H000317	H000317	H000317	H000317	H000317	H000317	H000317
5-H	Liquid Line Drier Heat Heat Cool	H000011	H000011 H000004	H000011	H000011	H000011 H000004	H000011	H000011	H000011 H000004	H000011
6-H	Compressor 1 Phase 3 Phase	H000118	H000119 H000132	H000120 H000133	H000118	H000119 H000132	H000120 H000133	H000118	H000119 H000132	H000120 H000133
7-H	Solenoid Coil Power Defrost		H000107			H000107			H000107	
8-H	Solenoid Valve Power Defrost		H000129			H000129			H000129	
9-H	Reversing Valve Heat Cool		H000136			H000136			H000136	
10-H	Accumulator		N/A			N/A			N/A	
11-H	Heat Exchanger Repair (Not Shown)	H000074	H000074	H000074	H000074	H000074	H000074	H000074	H000074	H000074
FAN										
1-F	Fan Motor	H000083	H000083	H000083	H000083	H000083	H000083	H000083	H000083	H000083
2-F	Fan Blade	H000124	H000124	H000124	H000124	H000124	H000124	H000124	H000124	H000124
CONTROL BOX										
1-J	Fan Relay	H000017	H000017	H000017	H000017	H000017	H000017	H000017	H000017	H000017
2-J	Transformer Digital Digital 3 PH Analog Analog 3 PH	H000021 H000021 H000023	H000021 H000021 H000023	H000021 H000021 H000023	H000021 H000021 H000023	H000021 H000021 H000023 H000023	H000021 H000021 H000023 H000023	H000021 H000021 H000023	H000021 H000021 H000023 H000023	H000021 H000021 H000023 H000023
3-J	Water Pressure Switch	H000025	H000025	H000025	H000025	H000025	H000025	H000025	H000025	H000025
4-J	Contactors 3 Phase	H000043	H000043 H000114	H000043 H000114	H000043	H000043 H000114	H000043 H000114	H000043	H000043 H000114	H000043 H000114
5-J	Capacitor 3 Phase	H000127	H000049 H000063	H000051 H000063	H000127	H000049 H000063	H000051 H000063	H000127	H000049 H000063	H000051 H000063
6-J	Control Board	H000029	H000029	H000029	H000029	H000029	H000029	H000029	H000029	H000029
7-J	Fuse	H000001	H000001	H000001	H000001	H000001	H000001	H000001	H000001	H000001
8-J	Defrost Control Switch	H000065	H000065	H000065	H000065	H000065	H000065	H000065	H000065	H000065
9-J	Control Board	H000035	H000035	H000035	H000035	H000035	H000035	H000035	H000035	H000035
10-J	Delay on Break Timer	H000019	H000019	H000019	H000019	H000019	H000019	H000019	H000019	H000019
11-J	Green LED	H000037	H000037	H000037	H000037	H000037	H000037	H000037	H000037	H000037
12-J	Amber LED	H000039	H000039	H000039	H000039	H000039	H000039	H000039	H000039	H000039
13-J	Red LED	H000041	H000041	H000041	H000041	H000041	H000041	H000041	H000041	H000041
14-J	Knob	H000008	H000008	H000008	H000008	H000008	H000008	H000008	H000008	H000008
15-J	Potentiometer	H000061	H000061	H000061	H000061	H000061	H000061	H000061	H000061	H000061
16-J	Rotary Switch	H000057	H000057	H000057	H000057	H000057	H000057	H000057	H000057	H000057
17-J	3 PH Monitor		H000111	H000111		H000111	H000111		H000111	H000111
18-J	Cube Relay		H000003	H000003		H000003	H000003		H000003	H000003
SHEETMETAL										
1-S	Electrical Input Panel	H000028	H000028	H000026	H000058	H000058	H000056	H000075	H000075	H000067
2-S	Access Panel	H000030	H000030	H000030	H000060	H000060	H000060	H000087	H000087	H000087
3-S	Corner Jacket Panel	H000034	H000034	H000032	H000064	H000064	H000062	H000125	H000125	H000126
4-S	Jacket Top	H000036	H000036	H000036	H000066	H000066	H000066	H000092	H000092	H000092
5-S	Grille Fan Guard	H000040	H000040	H000040	H000101	H000101	H000101	H000040	H000040	H000040
MISCELLANEOUS										
1-M	Touch-up Paint	750125	750125	750125	750250	750250	750250	750251	750251	750251

* Includes model 6330HC

NOTE: These are R-22 models. R-410A components are NOT compatible.

www.raypak.com