

POOL
MODELS: R185 THROUGH R405

CATALOG NO. 9100.553
Effective: 09-01-17
Replaces: 03-01-17

RAYPAK ILLUSTRATED PARTS LIST

MODEL SIZES: R185, R265, R335, R405

MODEL TYPE: RP2100

DATE OF MANUFACTURE: 11-01-93 THROUGH 10-31-98

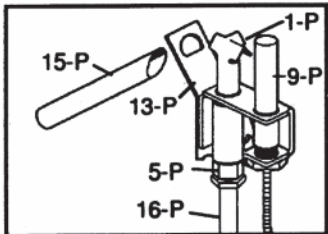
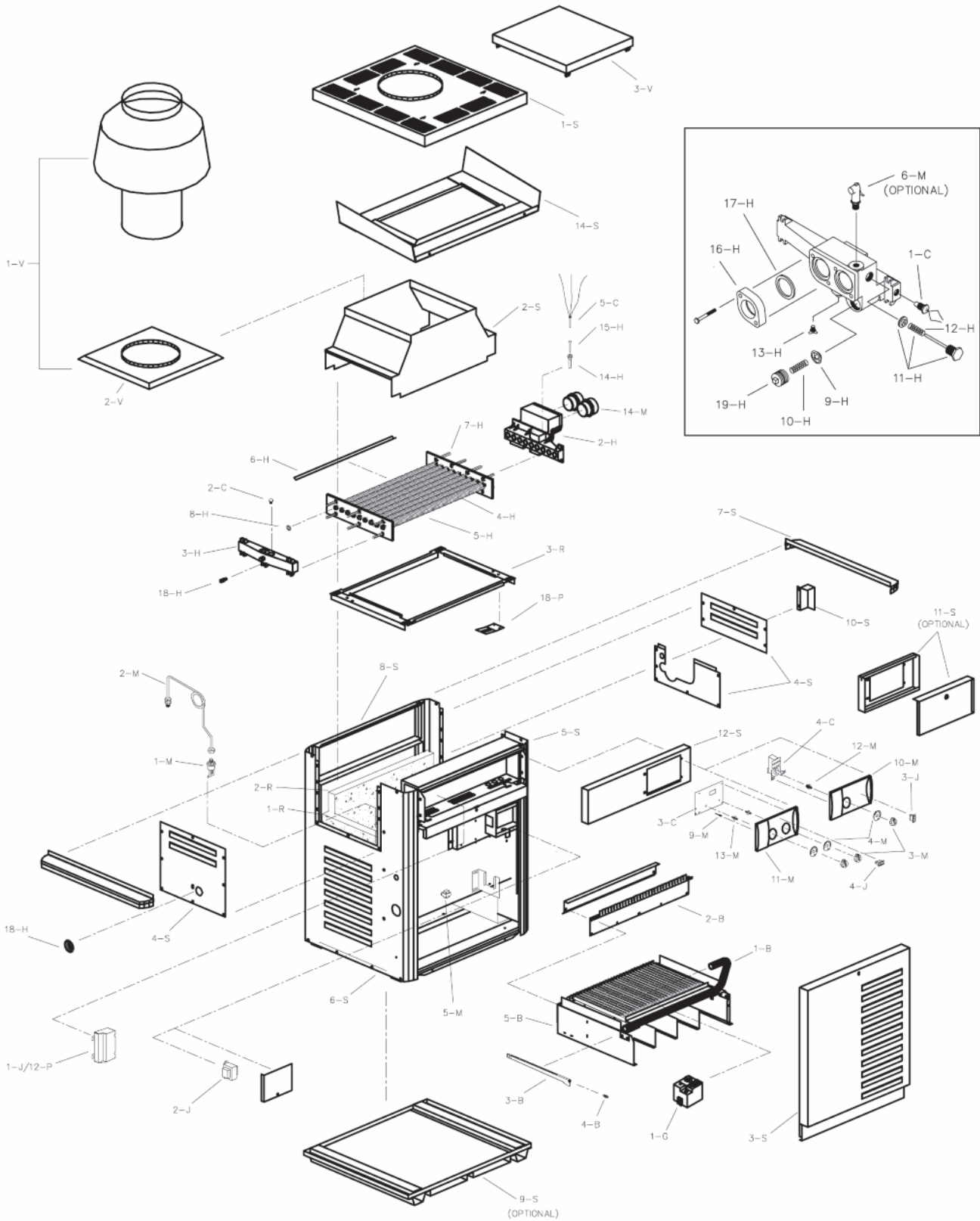
THE PARTS LISTED ARE FOR STANDARD EQUIPMENT FOR THIS MODEL TYPE. RAYPAK RESERVES THE RIGHT TO SUBSTITUTE, DELETE OR CHANGE ANY PART WITHOUT NOTIFICATION. THE ADDITION OF OPTIONS MAY ALSO CHANGE SOME OF THE PARTS. ORDER REPLACEMENT PARTS FROM ACTUAL HEATER COMPONENTS.



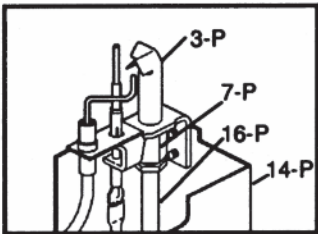
FOR DETAILED INSTRUCTIONS, SEE "HOW TO USE YOUR RAYPAK ILLUSTRATED PARTS LIST",
CATALOG NO. 9001.10



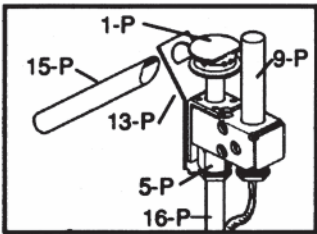
Raypak, Inc., 2151 Eastman Avenue, Oxnard, CA 93030
(805) 278-5300 Fax (800) 872-9725
Litho In U.S.A.



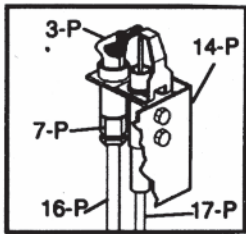
Robertshaw MV



Robertshaw IID



Honeywell MV



Honeywell IID

CALL OUT	DESCRIPTION	185	265	335	405
B	BURNER TRAY				
1-B	Burner Tray w/Burners (Sea Level)*	005213F	005214F	005215F	005216F
	Burner Tray w/o Burner (Sea Level)*	005217F	005218F	005219F	005220F
	Burner Tray w/Gas Valve Nat Millivolt	005221F	005222F	005223F	005224F
	Burner Tray w/Gas Valve Pro Millivolt	005225F	005226F	005227F	005228F
	Burner Tray w/Gas Valve Nat IID	005229F	005230F	005231F	005232F
	Burner Tray w/Gas Valve Pro IID	005233F	005234F	005235F	005236F
2-B	Burner Spacer/Hold Down Kit	005237F	005238F	005239F	005240F
3-B	Burner	301210/13	301210/19	301210/24	301210/29
4-B	Burner Orifice Nat. #51 (Sea Level)*	350080F/13	350080F/19	350080F/24	350080F/29
	Burner Orifice Pro. #57 (Sea Level)*	350083F/13	350083F/19	350083F/24	350083F/29
5-B	Burner Tray w/o Manifold w/o burners	005265F	005266F	005267F	005268F
C	CONTROLS				
1-C	AGS 135° (Auto Gas Shut-Off) - Red Epoxy	600892B	600892B	600892B	600892B
2-C	High Limit 140° - Black Epoxy	600893B	600893B	600893B	600893B
3-C	P. C. BoardControl IID Units	005241F	005241F	005241F	005241F
6-C	Fuse PC Board IID Units	005384F	005384F	005384F	005384F
4-C	Thermostat Control MV Units Mechanical	003346F	003346F	003346F	003346F
5-C	Temperature Sensor IID Units	005299B	005299B	005299B	005299B
G	GAS VALVE				
1-G	Combination Valve - Nat. MV	003898F	003898F	003898F	003898F
	Combination Valve - Pro. MV	003899F	003899F	003899F	003899F
	Combination Valve - Nat. IID	003900F	003900F	003900F	003900F
	Combination Valve - Pro. IID	004306F	004306F	004306F	004306F
H	HEAT EXCHANGER				
1-H	Heat Exchange Assy. Cast Iron (Complete)	005244F	005245F	005246F	005247F
	Heat Exchange Assy. Brass (Complete)	N/A	N/A	N/A	N/A
2-H	Inlet/Outlet Header CI	003759F	003759F	003759F	003759F
	Inlet/Outlet Header BR	N/A	N/A	N/A	N/A
3-H	Return Header CI	002450F	002450F	002450F	002450F
	Return Header BR	002451F	002451F	002451F	002451F
4-H	Tube Bundle	005252F	005253F	005254F	005255F
5-H	Heat Exchanger Tube (1)	005256F	005257F	005258F	005259F
6-H	Baffle Kit (8)	005260F	005261F	005262F	005263F
7-H	Bolt Kit	N/A	N/A	N/A	N/A
8-H	Header Gasket (9)	800014B	800014B	800014B	800014B
9-H	Unitherm Governor	062234B	062234B	062234B	062234B
10-H	U.G. Retainer Spring	013792F	013792F	013792F	013792F
19-H	U.G. Plug	013738F	013738F	013738F	013738F
11-H	Bypass Valve Assembly	016194F	016194F	016194F	016194F
12-H	Bypass Spring	850252	013794F	013794F	013794F
13-H	Drain Valve	013793F	013793F	013793F	013793F
14-H	Sensor Well	003765F	003765F	003765F	003765F
15-H	Well Retaining Clip	300203	300203	300203	300203
16-H	Inlet & Outlet Flange	003766F	003766F	003766F	003766F
17-H	Flange Gasket 1 1/2" Connections	062236B	062236B	062236B	062236B
	Flange Gasket 2" Connections	800080B	800080B	800080B	800080B
18-H	Rear Drain Plug & Cover	005264F	005264F	005264F	005264F
J	CONTROL BOX				
1-J	Ignition Control IID Nat.	004817B	004817B	004817B	004817B
	Ignition Control IID Pro.	004818B	004818B	004818B	004818B
2-J	Transformer 120/240/24V	006736F	006736F	006736F	006736F
3-J	Rocker Switch (MV Units)	006872F	006872F	006872F	006872F
4-J	Rocker Switch (IID Units)	650903	650903	650903	650903

*FOR ALTITUDES ABOVE 2,000 FEET LEVEL, CONSULT THE FACTORY

**WARNING: The Hydraulic conditions or water chemistry that caused the tube bundle to fail have very likely also damaged the bypass valve and Unitherm Governor. We recommend you replace the Unitherm Governor and inspect the bypass assembly. Failure to do so could cause premature failure of this replacement part.

CALL OUT	DESCRIPTION	185	265	335	405
M	MISCELLANEOUS COMPONENTS				
1-M	Pressure Switch	062237B	062237B	062237B	062237B
2-M	Pressure Switch Tube Assembly	005392F	005392F	005392F	005392F
3-M	Thermostat Knob (1)	009499F	009499F	009499F	009499F
4-M	Knobstop (1)	006886F	006886F	006886F	006886F
5-M	Thermal Fuse	005899F	005899F	005899F	005899F
6-M	PRV 125 PSI (Optional)	008091F	011912F	011912F	011912F
7-M	Delimiting Kit	052871F	052871F	052871F	052871F
8-M	Wire/Harness Millivolt	005269F	005269F	005269F	005269F
	Wire/Harness IID	005270F	005270F	005270F	005270F
9-M	LED's (2 green / 2 red)	N/A	N/A	N/A	N/A
10-M	Control Panel Millivolt	005291F	005291F	005291F	005291F
11-M	Control Panel IID (Includes Switch Decal)	005292F	005292F	005292F	005292F
12-M	Thermostat Shaft Millivolt	800307	800307	800307	800307
13-M	Thermostat Shaft IID	800304	800304	800304	800304
14-M	CPVC Adapter	005393F	005393F	005393F	005393F
P	PILOT				
1-P	Pilot Nat. MV	600525B	600525B	600525B	600525B
	Pilot Pro. MV	600575B	600575B	600575B	600575B
3-P	Pilot Nat. IID	002003F	002003F	002003F	002003F
	Pilot Pro. IID	002003F	002003F	002003F	002003F
5-P	Pilot Orifice Nat. MV	003901F	003901F	003901F	003901F
	Pilot Orifice Pro. MV	003902F	003902F	003902F	003902F
7-P	Pilot Orifice Nat. IID	003903F	003903F	003903F	003903F
	Pilot Orifice Pro. IID	004308F	004308F	004308F	004308F
9-P	Pilot Generator MV	600019B	600019B	600019B	600019B
12-P	Ignition Control IID Nat.	004817B	004817B	004817B	004817B
	Ignition Control IID Pro.	004818B	004818B	004818B	004818B
13-P	Pilot MTG Bracket MV	306693	306693	306693	306693
14-P	Pilot MTG Bracket IID	306692	306692	306692	306692
15-P	Lighter Tube (MV Units Only)	062996	062996	062996	062996
16-P	Pilot Tube	004078F	004078F	004078F	004078F
17-P	Hi Tension Wire IID	002654B	002654B	002654B	002654B
	Hi Tension Wire IID with Pilot Electrode	N/A	N/A	N/A	N/A
18-P	Pilot Shield	307223	307223	307223	307223
R	REFRACTORY				
1-R	Refractory Common (Left & Right)	005282F	005282F	005282F	005282F
2-R	Refractory Uncommon (Front & Rear)	005283F	005284F	005285F	005286F
4-R	Refractory (All)	012192F	012193F	012194F	012195F
3-R	Refractory Retainer Kit	005287F	005288F	005289F	005290F
S	SHEETMETAL				
1-S	Jacket Top (Louvered)	005303F	005304F	005305F	005306F
2-S	Flue Collector	005307F	005308F	005309F	005310F
3-S	Door Assy.	005315F	005316F	005317F	005318F
4-S	Access Panel Set (3 Pcs.)	005277F	005277F	005277F	005277F
5-S	Side Panel Right	005300F	005300F	005300F	005300F
6-S	Side Panel Left	005301F	005301F	005301F	005301F
7-S	Side Panel Cap	005302F	005302F	005302F	005302F
8-S	Rear Panel Kit (2 Pcs.)	005278F	005279F	005280F	005281F
9-S	Sub-Base for Combustible Flooring	005182	005183	005184	005185
10-S	High Limit Cover	005294F	005294F	005294F	005294F
11-S	Poolstat Cover/Lock	005198	005198	005198	005198
12-S	Up-Front Control Panel	005394F	005395F	005396F	005397F
13-S	Base Shield (Not Shown)	008558F	008559F	008560F	008561F
14-S	Weather Shield	009524F	009525F	009526F	009527F
V	VENTING				
1-V	Indoor Stack Kit (Includes inner adapter panel)	006696	006697	006698	006699
2-V	Stack Adapter	008895F	008896F	008897F	008898F
3-V	"Pagoda" Top	007990	007991	007992	007993

CONVERSION KITS**	185B	265B	335B	405B
Gas Conversions				
Nat. to Pro. MV Pilot	004690B	004690B	004692B	004692B
Pro. to Nat. MV Pilot	005319F	005319F	005320F	005320F
Nat. to Pro. IID Pilot	N/A	N/A	N/A	N/A
Pro. to Nat. IID Pilot	N/A	N/A	N/A	N/A
Thermostat Conversions MV Only				
Single Solid State to Dual Solid State	N/A	N/A	N/A	N/A
Single Mechanical stat to Dual Solid State Stat	N/A	N/A	N/A	N/A

** Gas conversions are to be done only by a qualified agency.

www.raypak.com



Registered Quality Management System