

**POOL**  
**MODELS: RHP072 - RHP104**

CATALOG NO. 9100.85  
Effective: 04-01-15  
Replaces: NEW

## RAYPAK ILLUSTRATED PARTS LIST

**MODEL SIZE: 072 & 104**

**MODEL TYPE: HEAT PUMP POOL AND SPA HEATER**

DATES OF MANUFACTURE: 1995 THRU 2001

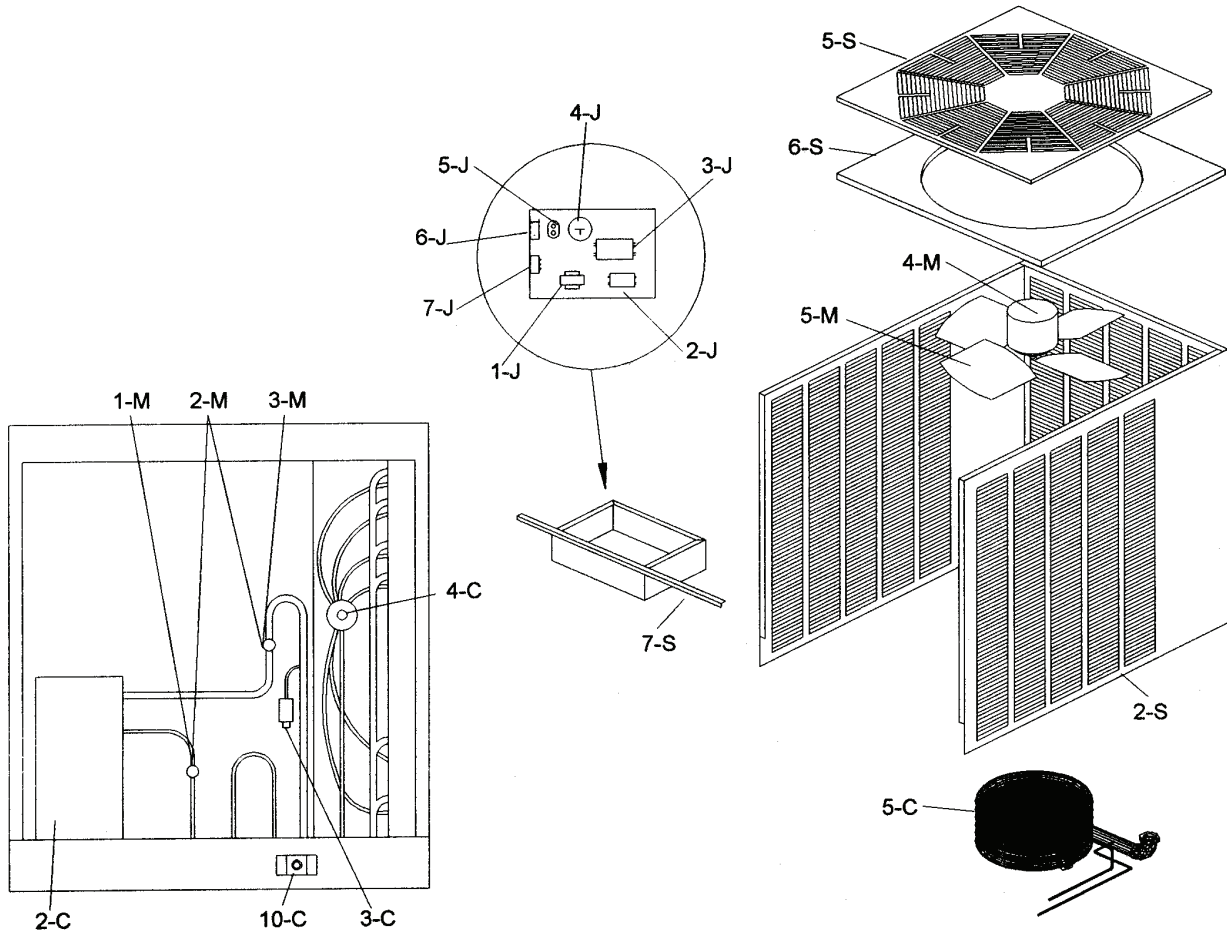
THE PARTS LISTED ARE FOR STANDARD EQUIPMENT FOR THIS MODEL TYPE. RAYPAK RESERVES THE RIGHT TO SUBSTITUTE, DELETE OR CHANGE ANY PART WITHOUT NOTIFICATION. THE ADDITION OF OPTIONS MAY ALSO CHANGE SOME OF THE PARTS. ORDER REPLACEMENT PARTS FROM ACTUAL HEATER COMPONENTS.



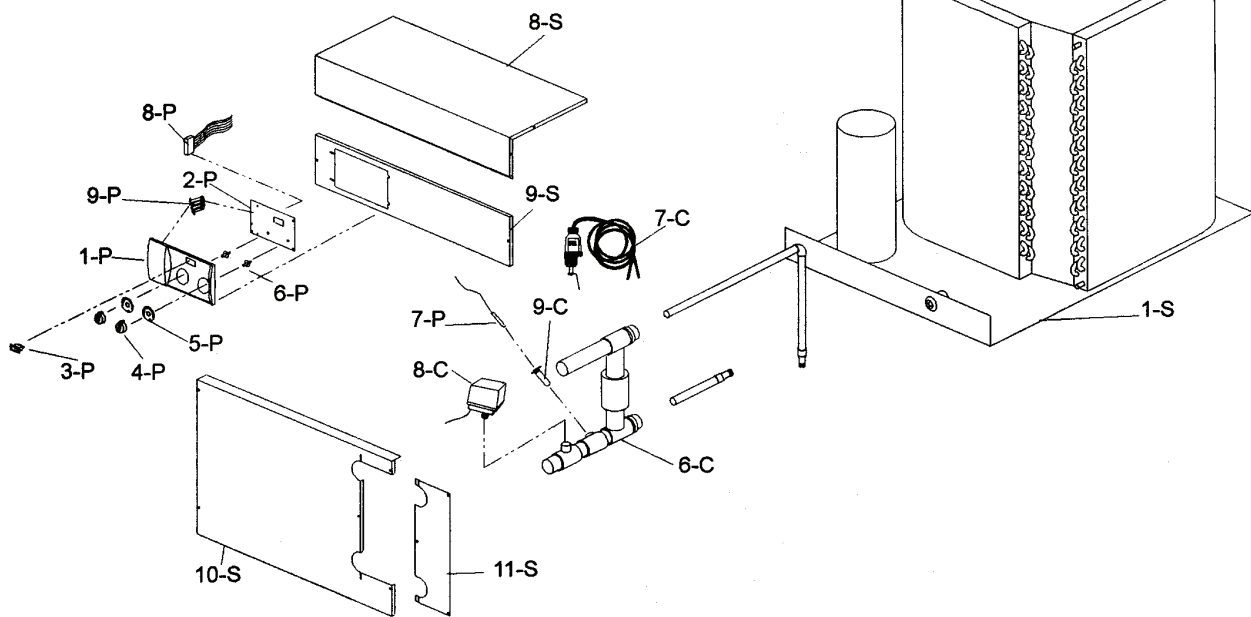
FOR DETAILED INSTRUCTIONS, SEE "HOW TO USE YOUR ILLUSTRATED PARTS LIST",  
CATALOG NO. 9001.10



Raypak, Inc., 2151 Eastman Avenue, Oxnard, CA 93030  
(805) 278-5300 Fax (800) 872-9725  
Litho In U.S.A.



FRONT ELEVATION VIEW



CALL OUT	DESCRIPTION	PART NO. RHP 072	PART NO. RHP 104
<b>C</b>	<b>COIL &amp; COMPRESSOR PARTS</b>		
1-C	Evaporator Coil	005658F	005694F
2-C	Compressor 1 Phase Models	005659F	005660F
	Compressor 3 Phase Models	006044F	005673F
3-C	Low Pressure Control	005661F	005661F
4-C	Expansion Valve Assembly	005662F	005672F
5-C	Water Coil	005663F	005663F
6-C	Check Valve-Bypass/Plumbing Assy.	N/A	N/A
9-C	Well Assy.	006053F	006053F
7-C	Flow Switch (If Provided)	Use 8-C	Use 8-C
8-C	Pressure Switch (If Provided)	N/A	N/A
10-C	High Pressure Control	006197F	006197F
<b>J</b>	<b>CONTROL BOX PARTS</b>		
1-J	Control Transformer	005666F	005666F
2-J	Pump Contactor	005667F	005667F
3-J	Compressor Contactor 1 Phase	005668F	005668F
4-J	Compressor Capacitor 1 Phase	005670F	005671F
5-J	Fan Motor Capacitor 10/370	005695F	005695F
6-J	Thermostat (Ambient Stat)	005674F	005674F
7-J	Timer (Relay)		005675F
<b>M</b>	<b>MISCELLANEOUS COMPONENTS</b>		
1-M	Schrader Valve Core & Cap	005676F	005676F
2-M	Schrader Valve	005677F	005677F
3-M	Schrader Valve Cap Only	005678F	005678F
4-M	Fan Motor 1/3 HP 208-230, 1 SPD	005679F	005679F
5-M	Fan Blade	005680F	005680F
6-M	Paint (Rheem Green)	750128	750128
<b>P</b>	<b>CONTROL PANEL GROUP</b>		
1-P	Control Panel Bezel	800323	800323
2-P	Control Circuit Board	005681F	005681F
3-P	On-Off-On Switch	650903	650903
4-P	Knob (1)	009499F	009499F
5-P	Knobstop (1)	006886F	006886F
6-P	Thermostat Shaft (1)	800304	800304
7-P	Temperature Sensor	005299B	005299B
8-P	14 Pin Plug/Harness	005682F	005682F
9-P	Lens Extension	800302	800302
<b>S</b>	<b>PANEL SHEET METAL PARTS</b>		
1-S	Jacket Base Panel	005683F	005683F
2-S	Jacket Wrapper	007013F	007013F
5-S	Jacket Top/Grill Panel	005687F	005687F
6-S	Venturi Panel	005688F	005688F
7-S	Control Box Brace	005689F	005689F
8-S	Jacket-Upper Front Panel	005690F	005690F
9-S	Control Mounting Panel Assy.	005691F	005691F
10-S	Jacket-Lower Front Panel	005692F	005692F
11-S	Front Access Panel	005693F	005693F



Registered Quality Management System

[www.raypak.com](http://www.raypak.com)