

**POOL**  
**MODEL: 315A**

CATALOG NO. 9100.95  
Effective: 08-01-12  
Replaces: 12-03-08

## RAYPAK ILLUSTRATED PARTS LIST

**MODEL SIZE: 315A**  
**MODEL TYPE: WHG OIL VERSA**

DATES OF MANUFACTURE: 01-01-90 THROUGH 09-11-98

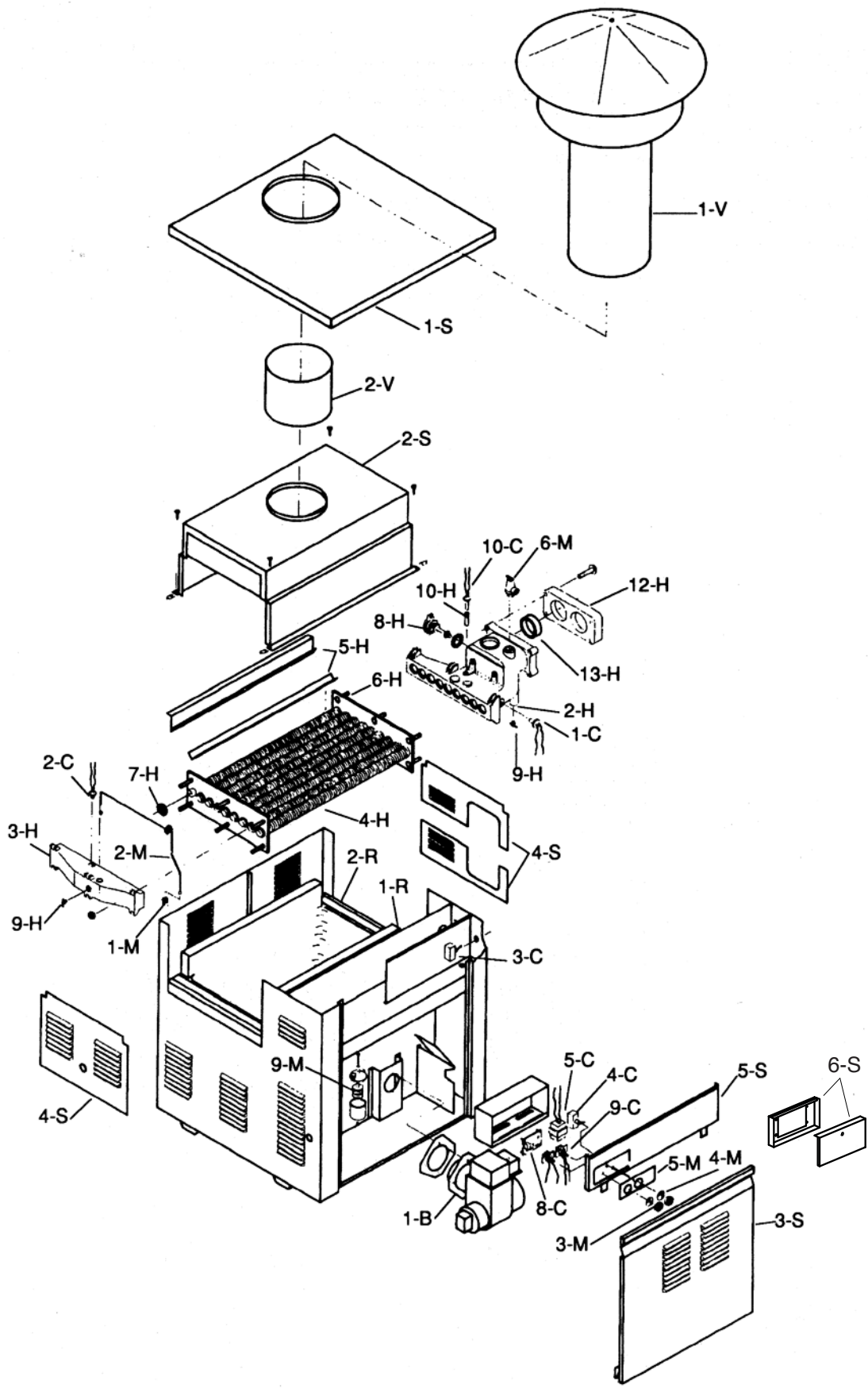
THE PARTS LISTED ARE FOR STANDARD EQUIPMENT FOR THIS MODEL TYPE. RAYPAK RESERVES THE RIGHT TO SUBSTITUTE, DELETE OR CHANGE ANY PART WITHOUT NOTIFICATION. THE ADDITION OF OPTIONS MAY ALSO CHANGE SOME OF THE PARTS. ORDER REPLACEMENT PARTS FROM ACTUAL HEATER COMPONENTS.



FOR DETAILED INSTRUCTIONS, SEE "HOW TO USE YOUR RAYPAK ILLUSTRATED PARTS LIST",  
CATALOG NO. 9001.10



Raypak, Inc., 2151 Eastman Avenue, Oxnard CA, 93030  
(805) 278-5300 Fax (800) 872-9725  
Litho In U.S.A.



CALL OUT	DESCRIPTION	315A
B	BURNER (OIL)	
1-B	Burner w/Elec. Ignition*	N/A
C	CONTROLS	
1-C	High Limit 135°F	600892B
2-C	High Limit 140°F	600893B
3-C	Main Power On/Off Switch SPST	008079F
4-C	Thermostat On/Off/On Switch SPDT	650760
5-C	Transformer	006533F
6-C	Manual Reset Thermostat (Not Shown)	006035F
7-C	Thermostat Control IID (Solid State)	005390F
8-C	PC Board	005086B
9-C	Potentiometer	005087B
10-C	Temperature Sensor	005088B
H	HEAT EXCHANGER	
1-H	Heat Exchanger (Complete)	N/A
2-H	Inlet/Outlet Header	N/A
3-H	Return Header	N/A
4-H	Tube Bundle	N/A
5-H	Baffle Kit	N/A
6-H	Bolt Kit	001051F
7-H	Header Gasket	800086B
8-H	Unitherm Governor	002475F
9-H	Drain Valve	014158F
10-H	Sensor Well	007211F
11-H	Well Retainer Clip	300203
12-H	Inlet/Outlet Flange	004736F
13-H	Flange Gasket 1-1/2"	062236B
	Flange Gasket 2" Connections	800080B
M	MISCELLANEOUS COMPONENTS	
1-M	Pressure Switch	062237B
2-M	Pressure Switch Tube Assembly	003272F
3-M	Thermostat Knob	006885F
4-M	Knobstop	006886F
5-M	Dialplate	N/A
6-M	PRV 125 PSI	007224F
7-M	Wire/Harness	N/A
8-M	Demining Kit	052870F
9-M	Oil Filter Cartridge	N/A
R	REFRACTORY	
1-R	Refractory/Chamber	N/A
2-R	Refractory Chamber Retainer	N/A
S	SHEETMETAL	
1-S	Jacket Top	N/A
2-S	Flue Collector	N/A
3-S	Door Assembly	N/A
4-S	Access Panel Group	N/A
5-S	Control Panel	N/A
6-S	Poolstat Cover/Lock Box	006492
V	VENTING	
1-V	Outdoor Stack 9"	N/A
2-V	Inner Flue Sleeve 8"	N/A

\*For Individual Burner Parts Consult Burner Manufacturer.



Registered Quality Management System

[www.raypak.com](http://www.raypak.com)