

POOL
MODEL: 105B

CATALOG NO. 9100.24.1
Effective: 10-15-14
Replaces: 11-21-13

RAYPAK ILLUSTRATED PARTS LIST

MODEL SIZE: 105B

MODEL TYPE: WHG VERSA PLUS BRASS

DATES OF MANUFACTURE: 08-01-99 THROUGH 07-31-06

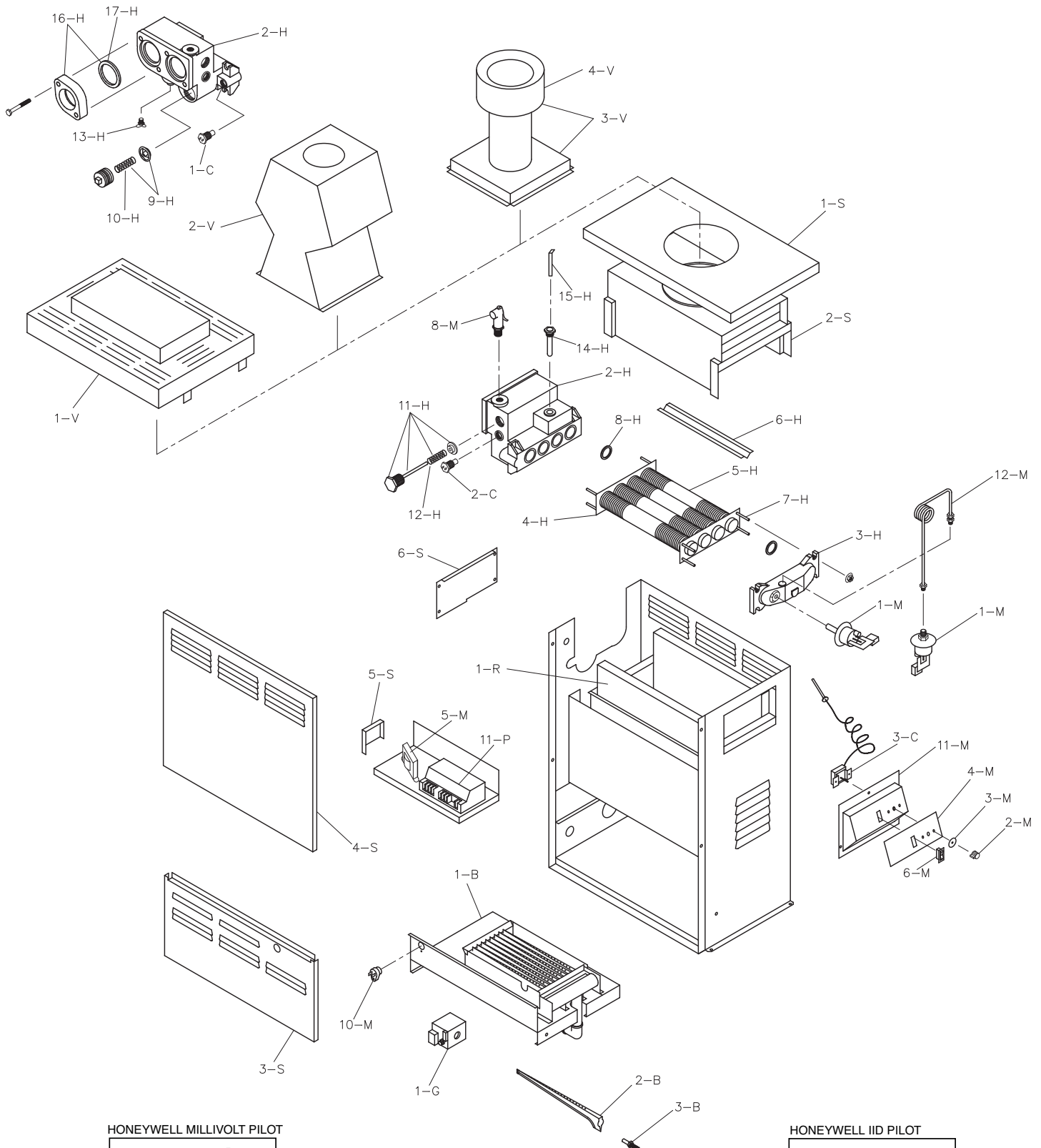
THE PARTS LISTED ARE FOR STANDARD EQUIPMENT FOR THIS MODEL TYPE. RAYPAK RESERVES THE RIGHT TO SUBSTITUTE, DELETE OR CHANGE ANY PART WITHOUT NOTIFICATION. THE ADDITION OF OPTIONS MAY ALSO CHANGE SOME OF THE PARTS. ORDER REPLACEMENT PARTS FROM ACTUAL HEATER COMPONENTS.



FOR DETAILED INSTRUCTIONS, SEE "HOW TO USE YOUR RAYPAK ILLUSTRATED PARTS LIST",
CATALOG NO. 9001.10



Raypak, Inc., 2151 Eastman Avenue, Oxnard, CA 93030
(805) 278-5300 Fax (800) 872-9725
Litho In U.S.A.



HONEYWELL MILLIVOLT PILOT

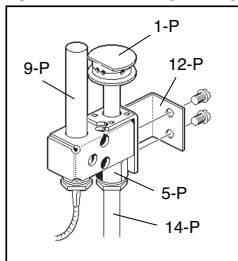


FIG # 8132

HONEYWELL IID PILOT

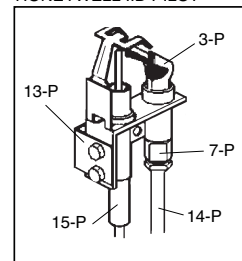


FIG # 8133

CALL OUT	DESCRIPTION	PART NUMBER
B	BURNER TRAY	
1-B	Burner Tray w/Burners (Sea Level)*	004899F
2-B	Burner	301210/8
3-B	Burner Orifice Nat. #51 (Sea Level)*	350080F/8
	Burner Orifice Pro. #59 (Sea Level)*	350350F/8
C	CONTROLS	
1-C	High Limit 135°F	600892B
2-C	High Limit 140°F	600893B
3-C	Thermostat Control	003346F
G	GAS VALVE	
1-G	Combination Valve Nat. MV	003898F
	Combination Valve Pro. MV	003899F
	Combination Valve Nat. IID	003900F
	Combination Valve Pro. IID	004306F
H	HEAT EXCHANGER	
1-H	Heat Exchanger Assy. (Complete)	004900F
2-H	Inlet/Outlet Header	004901F
3-H	Return Header	004902F
4-H	Tube Bundle	004903F
5-H	Heat Exchange Tube	003961F
6-H	Baffle Kit	003964F
7-H	Carriage Bolt Kit	004889F
	Stud Bolt Kit	007910F
8-H	Header Gasket	800014B
9-H	Unitherm Governor	062234B
10-H	U.G. Retainer Spring	013792F
11-H	Bypass Valve Assembly	062235B
12-H	Bypass Spring	850252
13-H	Drain Valve	013793F
14-H	Sensor Well	003765F
15-H	Well Retaining Clip	300203
16-H	Inlet & Outlet Flange	003766F
17-H	Flange Gasket 1-1/2" Connections	062236B
	Flange Gasket 2" Connections	800080B
M	MISCELLANEOUS COMPONENTS	
1-M	Pressure Switch Direct Mount to Header	006737F
	Pressure Switch Mount to Damper Tube	003651F
2-M	Thermostat Knob	006885F
3-M	Knob Stop	006886F
4-M	Dial Plate MV	006866F
	Dial Plate IID	006867F
5-M	Transformer (IID Unit)	006736F
6-M	Rocker Switch (SPST)	006872F
7-M	Wire Harness MV (Not Shown)	006873F
	Wire Harness IID (Not Shown)	006874F
8-M	PRV 125 PSI	008091F
9-M	Delimiting Kit	052871F
10-M	Thermal Fuse	008126F
11-M	Bezel (Less Label)	006929F
12-M	Pressure Switch Tube Assy	004904F
13-M	Touch-up Paint Green	750125

*For altitudes above 2,000 feet above sea level, consult the factory.

CALL OUT	DESCRIPTION	PART NUMBER
P	PILOT	
1-P	Pilot Nat. MV	600525B
	Pilot Pro. MV	600575B
3-P	Pilot Nat. IID	002003F
	Pilot Pro. IID	002003F
5-P	Pilot Orifice Nat. MV	003901F
	Pilot Orifice Pro. MV	003902F
7-P	Pilot Orifice Nat. IID	003903F
	Pilot Orifice Pro. IID	004308F
9-P	Pilot Generator MV	600019B
11-P	Ignition Control IID Nat.	004817B
	Ignition Control IID Pro.	004818B
12-P	Pilot Mounting Bracket MV	004907F
13-P	Pilot Mounting Bracket IID	004908F
	Pilot Tube	004078F
15-P	Hi Tension Wire IID	002654B
	Hi Tension Wire IID with Pilot Electrode	N/A
R	REFRACTORY	
1-R	Refractory Block Kit	004909F
S	SHEETMETAL	
1-S	Jacket Top	006877F
2-S	Flue Collector	004911F
3-S	Door Assy.	004912F
4-S	Upper Jacket Control Panel	006881F
5-S	Wiring Box	306899
6-S	Access Panel (inlet / outlet end)	006883F
V	VENTING	
1-V	Stackless Top (Outdoor)	006930F
2-V	Drafthood (Indoor)	004897
3-V	Outdoor Stack w/Adapter (Outdoor)	004301
4-V	Outdoor Stack	N/A

CONVERSION KITS**	
Nat. to Pro. MV Units	004915B
Pro. to Nat. MV Units	004916B
Nat. to Pro. IID Units	004917F
Pro. to Nat. IID Units	004918F

**** Gas Conversions are to be done only by a qualified agency.**



ISO 9001

Registered Quality Management System

www.raypak.com