

Job: _____
Engineer: _____
Contractor: _____
Prepared By: _____ Date: _____

Power Vent

For RP2100™
Pool & Spa Heaters
Models 185 - 405

Versatile

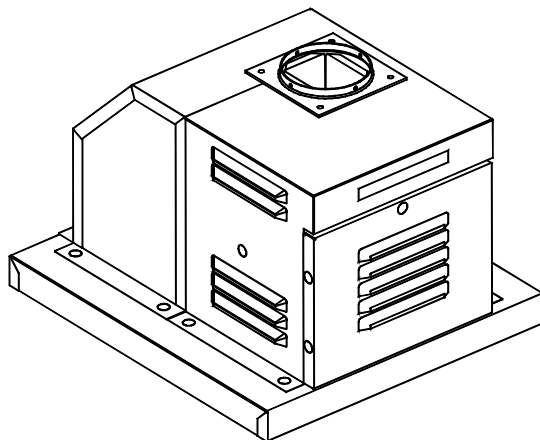
Suitable for use with hydronic heating boilers and hot water heaters
Permits sidewall venting
Allows use of vent pipe as small as 4" in diameter

Efficient

Maintains thermal efficiency of 82% on all appliance sizes

Multi-Position Capability

90° elbow can be rotated to align fan discharge with vent pipe and reduce the number of fittings required



Features

- Induced draft
- Plenum sized for appliance capacity
- Air flow proving switch, mounted and wired
- Fan motor relay, mounted and wired
- 230/115 Volt, 60 Hertz, 1.95/1.0 Amp, 130 CFM Max., 3200 RPM motor; Factory-wired for 230 Volt
- 90° elbow can be used as a termination cap for horizontal venting
- Heavy-duty galvanized steel cabinet
- Polytuf powder coat finish
- Indoor/Outdoor construction
- Easy installation
- Limited one-year warranty
- Shipped loose for field mounting

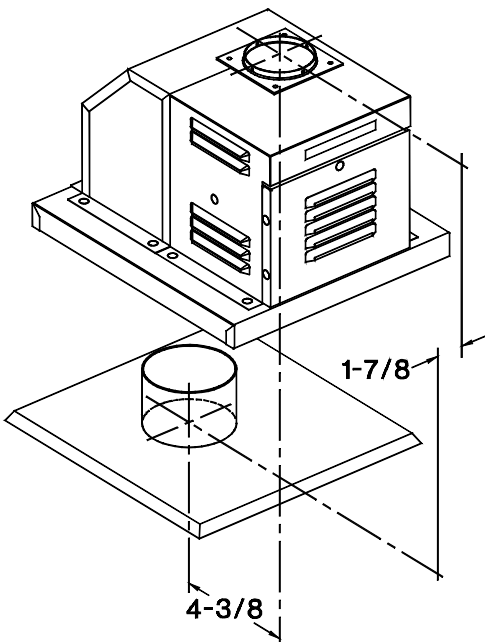
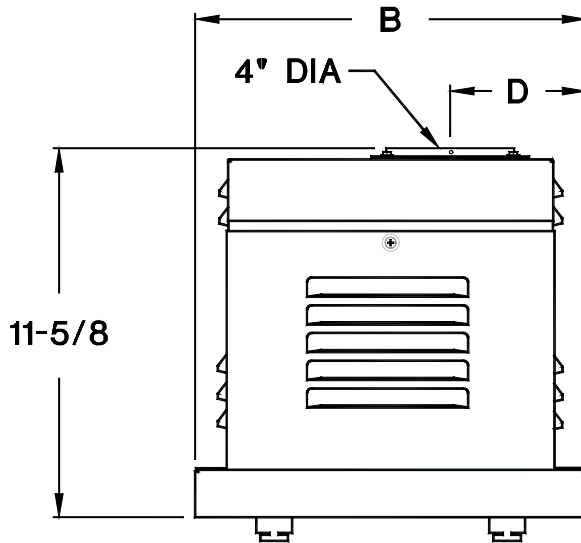
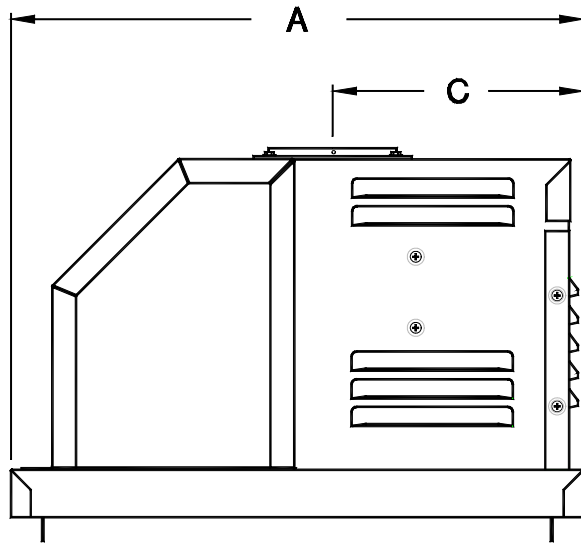


Raypak

Power Vent

For RP2100 Models 185 - 405

Model _____



RP2100 Model	Part Number	Dimensions (in.)			
		A	B	C	D
185	008086	18-1/8	12-3/8	7-7/8	4-1/4
265	008086	18-1/8	12-3/8	7-7/8	4-1/4
335	008087	17-1/2	15-3/4	7-5/8	6
405	008087	17-1/2	15-3/4	7-5/8	6

NOTES:

- All units can exhaust flue gases at:
 - Horizontal**
Up to 40 ft. of equivalent length vent pipe
90° elbow = 10 ft. equivalent length
45° elbow = 5 ft. equivalent length
 - Vertical**
Up to 40 ft. straight vertical venting
For vents above 40 ft., a barometric damper is required.
- Vent pipe must meet Category III appliance venting requirements.
- Vent pipe sizes are based 300°F nominal flue temperature and sea-level operation. For installation under other conditions, please consult the factory.