

POOL
MODEL: 155B/C

CATALOG NO. 9100.35.1
Effective: 07-01-16
Replaces: 01-01-16

RAYPAK ILLUSTRATED PARTS LIST

MODEL SIZE: 155B/C
MODEL TYPE: WHG VERSA "PLUS"

DATES OF MANUFACTURE: 09-01-91 THROUGH 6-30-06
155C PLUS UNITS MANUFACTURED 11-01-96 THROUGH 6-30-06

THE PARTS LISTED ARE FOR STANDARD EQUIPMENT FOR THIS MODEL TYPE. RAYPAK RESERVES THE RIGHT TO SUBSTITUTE, DELETE OR CHANGE ANY PART WITHOUT NOTIFICATION. THE ADDITION OF OPTIONS MAY ALSO CHANGE SOME OF THE PARTS. ORDER REPLACEMENT PARTS FROM ACTUAL HEATER COMPONENTS.



FOR DETAILED INSTRUCTIONS, SEE "HOW TO USE YOUR RAYPAK ILLUSTRATED PARTS LIST",
CATALOG NO. 9001.10



Raypak, Inc., 2151 Eastman Avenue, Oxnard, CA 93030
(805) 278-5300 Fax (800) 872-9725
Litho In U.S.A.

HEADER DETAIL

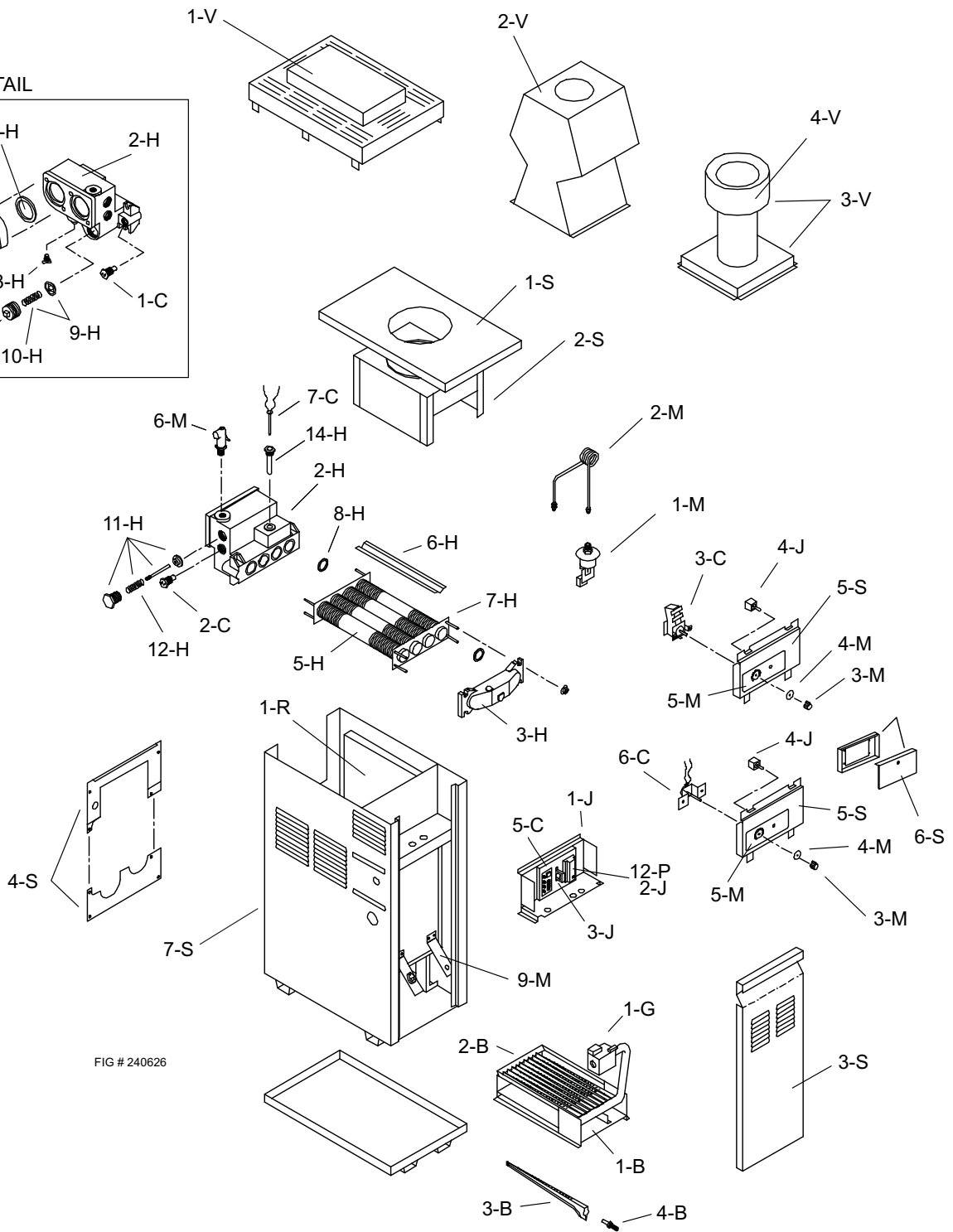
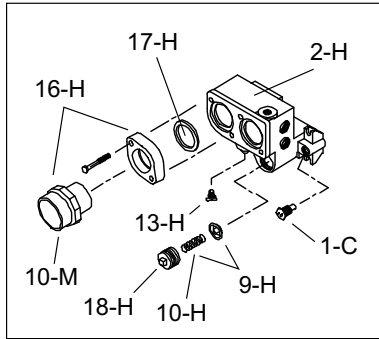


FIG # 240626

HONEYWELL MILLIVOLT PILOT

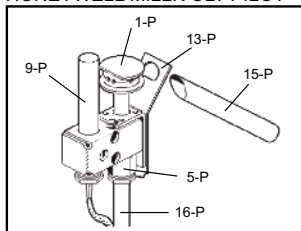


FIG #8107

HONEYWELL IID PILOT

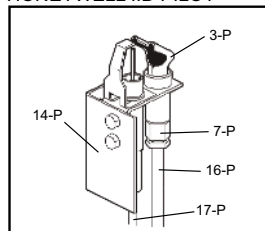


FIG #8124

ROBERTSHAW MILLIVOLT PILOT

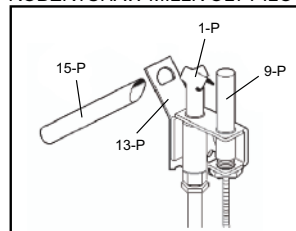


FIG #8123

ROBERTSHAW IID PILOT

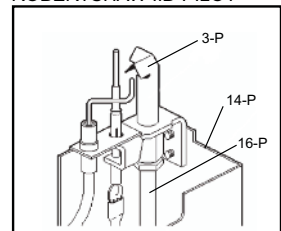


FIG #8122

CALL OUT	DESCRIPTION	PREMIUM BRONZE	CAST IRON
B	BURNER TRAY		
1-B	Burner Tray w/Burners (Sea Level)*	001989F	001989F
	Burner Tray w/Burners & (1) piece manifold (Sea level)	007331F	007331F
	Burner Tray w/o Burners (Sea Level)*	001990F	001990F
	Burner Tray w/o Burners & (1) piece manifold (Sea level)	007332F	007332F
	Burner Tray w/Gas Valve NAT STG	004848F	004848F
	Burner Tray w/Gas Valve PRO STG	004850F	004850F
	Burner Tray w/Gas Valve NAT IID	004849F	004849F
	Burner Tray w/Gas Valve PRO IID	004851F	004851F
2-B	Burner Hold Down Kit	001991F	001991F
3-B	Burner	301210/10	301210/10
4-B	Burner Orifice Nat. #50 (Sea Level)*	350079F/10	350079F/10
	Burner Orifice Pro. #57 (Sea Level)*	350083F/10	350083F/10
C	CONTROLS		
1-C	High Limit 135 F	600892B	600892B
2-C	High Limit 140 F	600893B	600893B
3-C	Thermostat Control MV (Mechanical)	003346F	003346F
4-C	Thermostat Control IID (Solid State)	005389F	005389F
5-C	PC Board	005086B	005086B
6-C	Potentiometer	005087B	005087B
7-C	Temperature Sensor	005088B	005088B
G	GAS VALVE		
1-G	Combination Valve Nat. MV	003898F	003898F
	Combination Valve Pro. MV	003899F	003899F
	Combination Valve Nat. IID	003900F	003900F
	Combination Valve Pro. IID	004306F	004306F
H	HEAT EXCHANGER		
1-H	Heat Exchange Assy. (Complete)	004886F	004962F
2-H	Inlet/Outlet Header	004887F	004963F
3-H	Return Header	004888F	004964F
4-H	Tube Bundle	004896F	004896F
5-H	Heat Exchange Tube **	001999F	001999F
6-H	Baffle Kit ***	001622F	001622F
7-H	Carriage Bolt Kit	N/A	N/A
	Stud Bolt Kit	007910F	007910F
8-H	Header Gasket	800086B	800086B
9-H	Unitherm Governor	062234B	062234B
10-H	U.G. Retainer Spring	013792F	013792F
18-H	U.G. Plug	013738F	013738F
11-H	Bypass Valve	062235B	062235B
12-H	Bypass Spring	850252	850252
13-H	Drain Valve	013793F	013793F
14-H	Sensor Well	003765F	003765F
15-H	Well Retaining Clip	300203	300203
16-H	Inlet & Outlet Flange	003766F	003766F
17-H	Flange Gasket 1-1/2" Connections	062236B	062236B
	Flange Gasket 2" Connections	800080B	800080B
J	J BOX/CONTROL BOX		
1-J	Control Box IID w/o Thermostat Nat.	003790F	003790F
	Control Box IID w/o Thermostat Pro.	004309F	004309F
2-J	Ignition Control IID Nat.	004817B	004817B
	Ignition Control IID Pro	004818B	004818B
3-J	Transformer 120/240/24V	006736F	006736F
4-J	Toggle Switch	650761	650761

*FOR ALTITUDES ABOVE 2,000 FEET ABOVE SEA LEVEL, CONSULT THE FACTORY.

**FOR HEATERS BUILT AFTER APRIL 1996 USE KIT #002440F

***FOR HEATERS BUILT AFTER APRIL 1996 USE KIT #002000F

CALL OUT	DESCRIPTION	PREMIUM BRONZE	CAST IRON
M	MISCELLANEOUS COMPONENTS		
1-M	Pressure Switch	062237B	062237B
2-M	Pressure Switch Tube Assy.	003271F	003271F
3-M	Thermostat Knob	006885F	006885F
4-M	Knob Stop	006886F	006886F
5-M	Dial Plate Std.	900741	N/A
	Dial Plate IID	900742	900749
6-M	PRV-75 PSI	501507F	501507F
7-M	Delimiting Kit	052871F	052871F
8-M	Wire Harness Std.	004012F	004012F
	Wire Harness IID	004013F	004013F
9-M	Thermal Fuse	005899F	005899F
10-M	CPVC Adapter	005393F	005393F
P	PILOT		
1-P	Pilot Nat. MV	600525B	600525B
	Pilot Pro. MV	600575B	600575B
3-P	Pilot Nat. IID	002003F	002003F
	Pilot Pro IID	002003F	002003F
5-P	Pilot Orifice Nat. MV	003901F	003901F
	Pilot Orifice Pro. MV	003902F	003902F
7-P	Pilot Orifice Nat. IID	003903F	003903F
	Pilot Orifice Pro IID	004308F	004308F
9-P	Pilot Generator MV	600019B	600019B
12-P	Ignition Control IID Nat.	004817B	004817B
	Ignition Control IID Pro	004818B	004818B
13-P	Pilot Mounting Bracket MV (Plus Models)	006054F	006054F
	Pilot Mounting Bracket MV	303730	303730
	Pilot Mounting Bracket IID	304670	304670
14-P	Pilot Mounting Bracket IID (Plus Models)	006055F	006055F
15-P	Lighter Tube (MV Units Only)	052797	052797
16-P	Pilot Tube	004078F	004078F
17-P	Hi Tension Wire IID	006088B	006088B
	Hi Tension Wire IID w/Pilot Electrode	N/A	N/A
R	REFRACTORY		
1-R	Refractory Kit	000992F	000992F
2-R	Refractory Retainer Kit	002006F	002006F
S	SHEETMETAL		
1-S	Jacket Top	002007F	002007F
2-S	Flue Collector	002008F	002008F
3-S	Door Assy.	002010F	002010F
4-S	Access Panel Group	004890F	004890F
5-S	Control Panel Standing Pilot	003788F	003788F
	Control Panel IID Pilot	003789F	003789F
6-S	Poolstat Control Cover	006492	006492
7-S	Jacket Left	009174F	009174F
	Jacket Right	009175F	009175F
	Jacket Side	009176F	009176F
V	VENTING		
1-V	Stackless Top (Outdoor)	N/A	N/A
2-V	Draffhood (Indoor)	003723	003723
3-V	Outdoor Stack w/Adapter (Outdoor)	004301	004301
4-V	Outdoor Stack	951018	951018

CONVERSION KITS**	
GAS CONVERSIONS	
Nat. to Pro. Standing Pilot	004690B
Pro. to Nat. Standing Pilot	004691F
Nat. to Pro. Electronic Pilot	N/A
Pro. to Nat. Electronic Pilot	N/A

** Gas Conversions are to be done only by a qualified agency.