

POOL
MODEL: 055A

CATALOG NO. 9100.20
Effective: 10-15-14
Replaces: 09-23-11

RAYPAK ILLUSTRATED PARTS LIST

MODEL SIZE: 055A
MODEL TYPE: WHG VERSA

DATES OF MANUFACTURE: 05-01-87 THROUGH 09-30-89

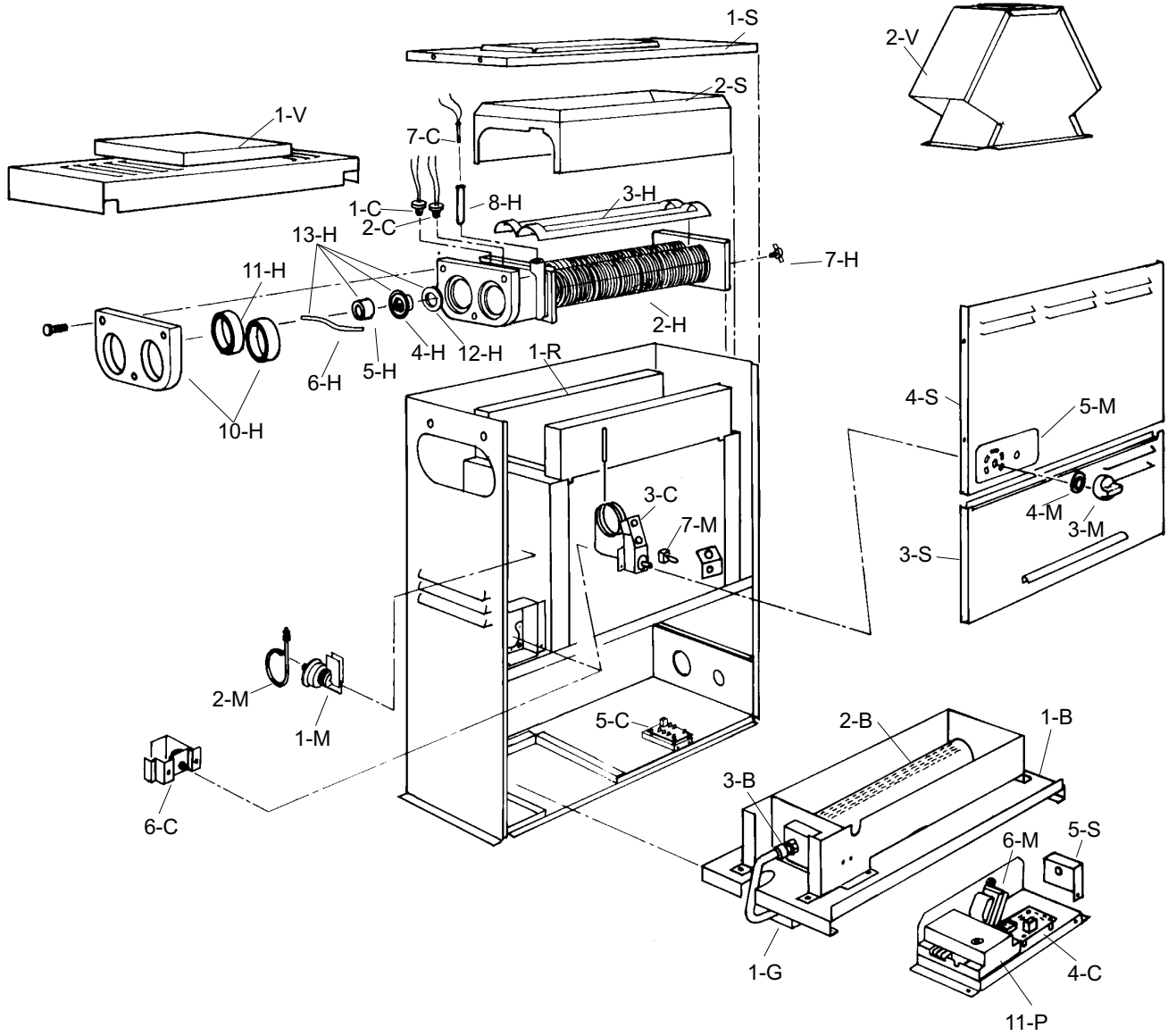
THE PARTS LISTED ARE FOR STANDARD EQUIPMENT FOR THIS MODEL TYPE. RAYPAK RESERVES THE RIGHT TO SUBSTITUTE, DELETE OR CHANGE ANY PART WITHOUT NOTIFICATION. THE ADDITION OF OPTIONS MAY ALSO CHANGE SOME OF THE PARTS. ORDER REPLACEMENT PARTS FROM ACTUAL HEATER COMPONENTS.



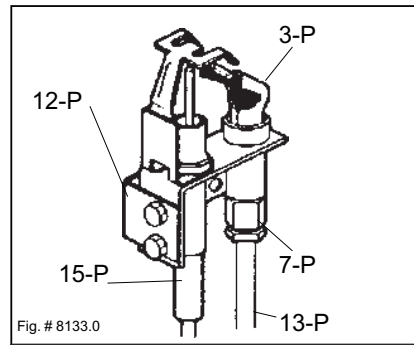
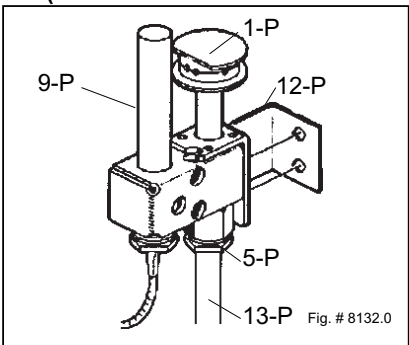
FOR DETAILED INSTRUCTIONS, SEE "HOW TO USE YOUR RAYPAK ILLUSTRATED PARTS LIST",
CATALOG NO. 9001.10

Raypak®
A Rheem® Company

Raypak, Inc., 2151 Eastman Avenue, Oxnard, CA 93030
(805) 278-5300 Fax (800) 872-9725
Litho In U.S.A.



MV (STANDING



CALL OUT	DESCRIPTION	PREMIUM BRONZE
B	BURNER TRAY**	
1-B	Burner Tray w/Burners (Sea Level)*	N/A
2-B	Burner	N/A
3-B	Burner Orifice Nat. #30 (Sea Level)*	N/A
	Burner Orifice Pro. #46 (Sea Level)*	N/A
C	CONTROLS	
1-C	High Limit 135°F	600889B
2-C	High Limit 140°F	600890B
3-C	Thermostat Control MV (Mechanical)	003346F
8-C	Thermostat Control MV (Solid State)	005391F
5-C	PC Board	005089B
6-C	Potentiometer	005087B
7-C	Temperature Sensor	005088B
9-C	Thermostat Control IID (Solid State)	005389F
5-C	PC Board	005086B
6-C	Potentiometer	005087B
7-C	Temperature Sensor	005088B
G	GAS VALVE	
1-G	Combination Valve Nat. MV	003898F
	Combination Valve Pro. MV	003899F
	Combination Valve Nat. IID	003900F
	Combination Valve Pro. IID	004306F
H	HEAT EXCHANGER	
1-H	Heat Exchanger Assy. (Complete)	N/A
2-H	Header/Tubed Kit	N/A
3-H	Baffle Kit	N/A
4-H	Unitherm Governor	600885
5-H	U. G. Cap	400734
6-H	U. G. Spring	850247
7-H	Drain Valve	013793F
8-H	Sensor Well	007211F
9-H	Bulb Retainer clip	300203
12-H	U. G. Gasket	800276
10-H	Inlet/Outlet Flange	002432F
11-H	Flange Gasket	800013B
M	MISCELLANEOUS COMPONENTS	
1-M	Pressure Switch	062237B
2-M	Pressure Switch Tube Assy.	003543F
3-M	Thermostat Knob	006885F
4-M	Knob Stop	006886F
5-M	Dial Plate MV	900741
	Dial Plate IID	900742
6-M	Transformer (IID Unit)	006736F
7-M	Toggle Switch	650595
8-M	Wire Harness MV	004010F
	Wire Harness IID	004011F

*For altitudes above 2,000 feet above sea level, consult the factory.

**Replacement burner trays are built for sea level, natural gas applications unless otherwise specified at the time the order is placed.

CALL OUT	DESCRIPTION	PREMIUM BRONZE
P	PILOT	
1-P	Pilot Nat. MV	600525B
	Pilot Pro. MV	600575B
3-P	Pilot Nat. IID	002003F
	Pilot Pro. IID	002003F
5-P	Pilot Orifice Nat. MV	003901F
	Pilot Orifice Pro. MV	003902F
7-P	Pilot Orifice Nat. IID	003903F
	Pilot Orifice Pro. IID	004308F
9-P	Pilot Generator MV	600019B
11-P	Ignition Control IID Nat.	004817B
	Ignition Control IID Pro.	004818B
12-P	Pilot Mounting Bracket MV	N/A
13-P	Pilot Mounting Bracket IID	N/A
14-P	Pilot Tube	004078F
15-P	Hi Tension Wire IID	002654B
	Hi Tension Wire w/Pilot Electrode	N/A
R	REFRACTORY	
1-R	Refractory Block Kit	003544F
S	SHEETMETAL	
1-S	Jacket Top	002525F
2-S	Flue Collector	002530F
3-S	Door Assy.	N/A
4-S	Upper Jacket Control Panel	003791F
5-S	Wiring Box	306094
V	VENTING	
1-V	Stackless Top (Outdoor)	003709
2-V	Drafhood (Indoor)	003722

CONVERSION KITS**	
Nat. to Pro. MV Units	N/A
Pro. to Nat. MV Units	N/A
Nat. to Pro. IID Units	N/A
Pro. to Nat. IID Units	N/A

**Gas Conversions are to be done only by a qualified agency.
For gas conversions, consult the factory.



Registered Quality Management System

www.raypak.com