

POOL
MODELS: 181 THRU 401

CATALOG NO. 9100.45
Effective: 05-01-17
Replaces: 01-15-16

RAYPAK ILLUSTRATED PARTS LIST

MODEL SIZES: 181, 261, 331 AND 401

MODEL TYPE: WHG GEMINI

DATE OF MANUFACTURE: 1974 THRU 02-01-82 EXCEPT AS NOTED

ELECTRONIC IGNITION: 01-01-81 THRU 01-01-82

8-TUBE HEAT EXCHANGER: 1974 THRU 01-01-81

9-TUBE HEAT EXCHANGER: 01-01-81 THRU 02-01-82

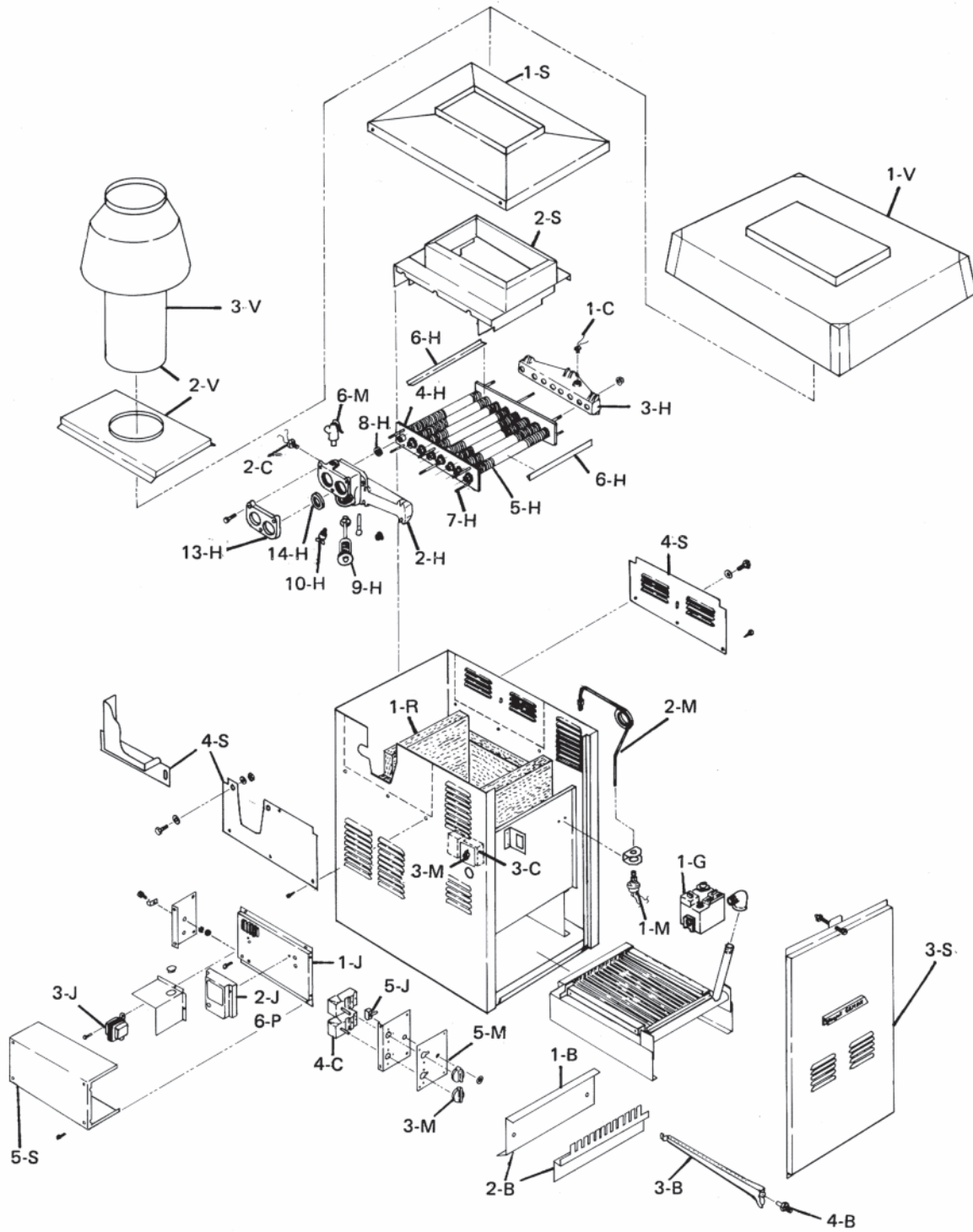
THE PARTS LISTED ARE FOR STANDARD EQUIPMENT FOR THIS MODEL TYPE. RAYPAK RESERVES THE RIGHT TO SUBSTITUTE, DELETE OR CHANGE ANY PART WITHOUT NOTIFICATION. THE ADDITION OF OPTIONS MAY ALSO CHANGE SOME OF THE PARTS. ORDER REPLACEMENT PARTS FROM ACTUAL HEATER COMPONENTS.



FOR DETAILED INSTRUCTIONS, SEE "HOW TO USE YOUR RAYPAK ILLUSTRATED PARTS LIST",
CATALOG NO. 9001.10



Raypak, Inc., 2151 Eastman Avenue, Oxnard, CA 93030
(805) 278-5300 Fax (800) 872-9725
Litho In U.S.A.



HONEYWELL MILLIVOLT PILOT

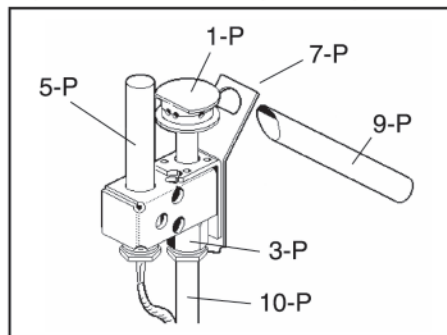


FIG #8107

HONEYWELL IID PILOT

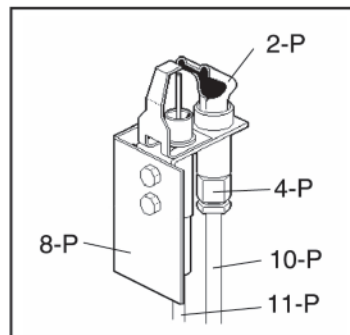


FIG #8124

CALL OUT	DESCRIPTION	181	261	331	401
B	BURNER TRAY				
1-B	Burner Tray w/Burners (Sea Level)*	N/A	N/A	N/A	N/A
	Burner Tray w/o Burners (Sea Level)*	N/A	N/A	N/A	N/A
2-B	Burner Spacer/Hold Down Kit	N/A	N/A	N/A	N/A
3-B	Burner	301210/12	301210/17	301210/22	301210/27
4-B	Burner Orifice Nat. #51 (Sea Level)*	350080F/12	350080F/17	350080F/22	350080F/27
	Burner Orifice Pro. #57 (Sea Level)*	350083F/12	350083F/17	350083F/22	350083F/27
C	CONTROLS				
1-C	High Limit 135°	600892B	600892B	600892B	600892B
2-C	High Limit 140°	600893B	600893B	600893B	600893B
3-C	Thermostat Control MV Units	003346F	003346F	003346F	003346F
4-C	Thermostat Control IID Units	003346F	003346F	003346F	003346F
G	GAS VALVE				
1-G	Combination Valve Nat. MV	003898F	003898F	003898F	003898F
	Combination Valve Pro. MV	003899F	003899F	003899F	003899F
	Combination Valve Nat. IID	003900F	003900F	003900F	003900F
H	HEAT EXCHANGER				
1-H	Heat Exchanger Assy.	N/A	N/A	N/A	N/A
2-H	Inlet/Outlet Header (8 Tube)	N/A	N/A	N/A	N/A
	Inlet/Outlet Header (9 Tube)	002433F	002433F	002433F	002433F
3-H	Return Header (8 Tube)	004032F	004032F	004032F	004032F
	Return Header (9 Tube)	002450F	002450F	002450F	002450F
4-H	Tube Bundle (8 Tube)	N/A	N/A	N/A	N/A
	Tube Bundle (9 Tube)	N/A	N/A	N/A	N/A
5-H	Heat Exchange Tube (8 Tube)	N/A	N/A	N/A	N/A
	Heat Exchange Tube (9 Tube)	N/A	N/A	N/A	N/A
6-H	Baffle Kit (8 Tube)	N/A	N/A	N/A	N/A
	Baffle Kit (9 Tube)	N/A	N/A	N/A	N/A
7-H	Bolt Kit	N/A	N/A	N/A	N/A
8-H	Header Gasket	800014B	800014B	800014B	800014B
9-H	Unitherm Governor	N/A	N/A	N/A	N/A
10-H	Drain Valve	013793F	013793F	013793F	013793F
11-H	Sensor Well	007211F	007211F	007211F	007211F
12-H	Well Retaining Clip	300203	300203	300203	300203
13-H	Inlet/Outlet Flange	002432F	002432F	002432F	002432F
14-H	Flange Gasket	800013B	800013B	800013B	800013B
J	J-BOX				
1-J	J-Box	N/A	N/A	N/A	N/A
2-J	Ignition Control IID	004817B	004817B	004817B	004817B
3-J	Transformer 120/240/24V	006736F	006736F	006736F	006736F
4-J	Toggle Switch (MV Units)	650761	650761	650761	650761
5-J	Toggle Switch (IID Units)	N/A	N/A	N/A	N/A

* FOR ALTITUDES ABOVE 2,000 FEET ABOVE SEA LEVEL, CONSULT FACTORY.

CALL OUT	DESCRIPTION	181	261	331	401
M	MISCELLANEOUS COMPONENTS				
1-M	Pressure Switch	062237B	062237B	062237B	062237B
2-M	Pressure Switch Tube Assy.	N/A	N/A	N/A	N/A
3-M	Thermostat Knob	N/A	N/A	N/A	N/A
4-M	Knob Stop	N/A	N/A	N/A	N/A
5-M	Dial Plate Std.	N/A	N/A	N/A	N/A
	Dial Plate IID	N/A	N/A	N/A	N/A
6-M	PRV - 125 PSI	008091F	011912F	011912F	011912F
7-M	Deliming Kit	052871F	052871F	052871F	052871F
P	PILOT				
1-P	Pilot Nat. MV	600525B	600525B	600525B	600525B
	Pilot Pro. MV	600575B	600575B	600575B	600575B
2-P	Pilot Nat. IID	002003F	002003F	002003F	002003F
3-P	Pilot Orifice Nat. MV	003901F	003901F	003901F	003901F
	Pilot Orifice Pro. MV	003902F	003902F	003902F	003902F
4-P	Pilot Orifice Nat. IID	003903F	003903F	003903F	003903F
5-P	Pilot Generator MV	600019B	600019B	600019B	600019B
6-P	Ignition Control IID	004817B	004817B	004817B	004817B
7-P	Pilot Mounting Bracket MV	N/A	N/A	N/A	N/A
8-P	Pilot Mounting Bracket IID	N/A	N/A	N/A	N/A
9-P	Lighter Tube (MV Units Only)	052797	052797	052797	052797
10-P	Pilot Tube	004078F	004078F	004078F	004078F
11-P	Hi Tension Wire IID	002654B	002654B	002654B	002654B
R	REFRACTORY				
1-R	Refractory Kit	N/A	N/A	N/A	N/A
2-R	Refractory Retainer Kit	N/A	N/A	N/A	N/A
S	SHEETMETAL				
1-S	Jacket Top	N/A	N/A	N/A	N/A
2-S	Flue Collector	N/A	N/A	N/A	N/A
3-S	Door Assy.	N/A	N/A	N/A	N/A
4-S	Access Panel Group	N/A	N/A	N/A	N/A
5-S	J-Box Sheetmetal	N/A	N/A	N/A	N/A
V	VENTING				
1-V	Stackless Top (Outdoor)	N/A	N/A	N/A	N/A
2-V	Draft Hood w/Stack Adapter (Indoor)	N/A	N/A	N/A	N/A
3-V	Draft Hood w/o Stack Adapter (Indoor)	N/A	N/A	N/A	N/A

CONVERSION KITS **

Gas Conversions					
Nat. to Pro. MV Pilot	004690B	004690B	004692B	004692B	
Pro. to Nat. MV Pilot	004691F	004691F	004693F	004693F	
Nat. to Pro. IID Pilot	N/A	N/A	N/A	N/A	

**GAS CONVERSIONS ARE TO BE DONE ONLY BY A QUALIFIED AGENCY. FOR GAS CONVERSIONS, CONSULT THE FACTORY.



Registered Quality Management System

www.raypak.com