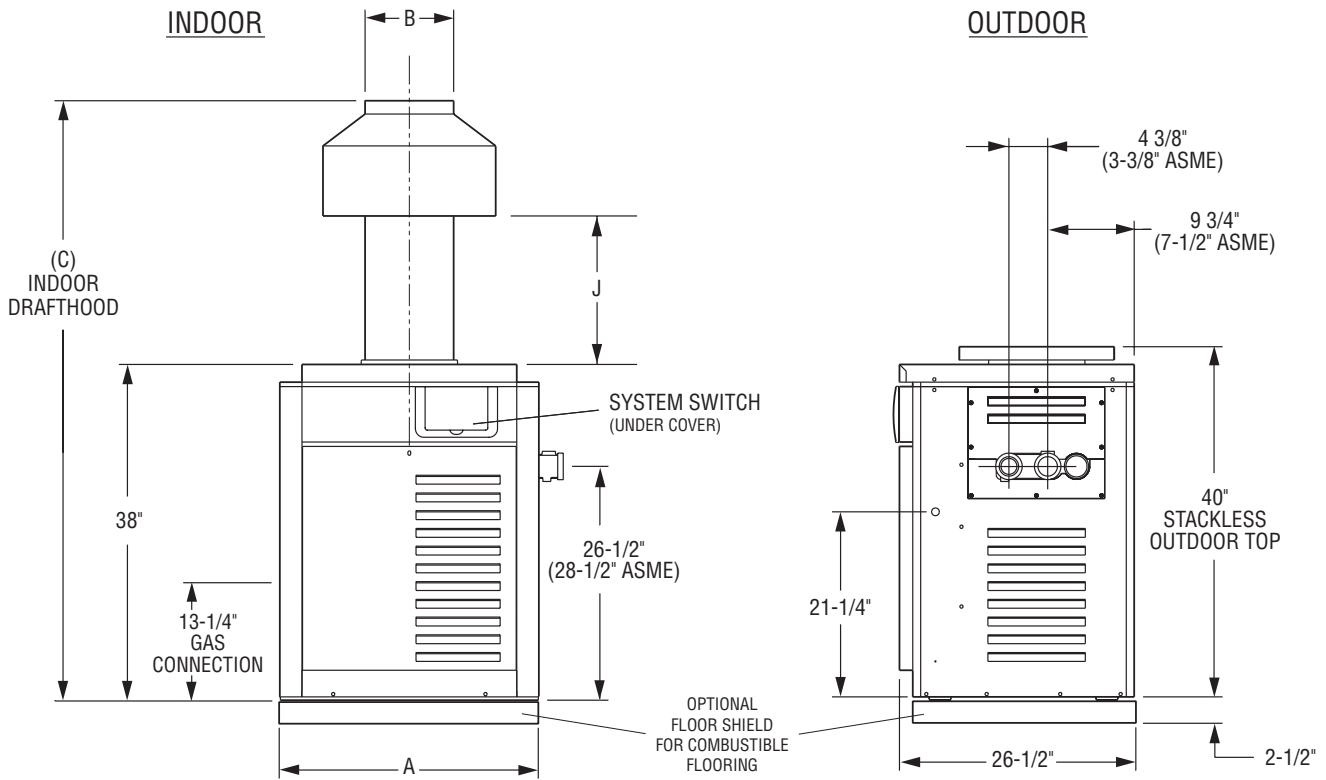


Technical Data



Heater Model	BTUH Input (000)	(A) Cabinet Width	(B) Flue Dia.	(C) Indoor Draft hood	(J) Min.	Gas Conn.	Water Conn.	Shipping Weights (lbs)		
								w/Cast Iron Headers and Stackless Top	w/Polymer Headers and Stackless Top	Indoor Draft-hood
R-185B	181	18-1/4"	6"	62-5/8"	13"	3/4"	2"	191	172	12
R-265B	264	22-3/8"	7"	62-7/8"	12-1/8"	3/4"	2"	214	195	15
R-335B	334	25-3/4"	8"	63-3/4"	11-3/4"	3/4"	2"	234	215	17
R-405B	399	29-1/4"	9"	65-3/8"	13-1/2"	3/4"	2"	253	234	20

Designation for a Digital heater using propane gas is "EP"; a Digital heater using natural gas is "EN".

Designation for a Millivolt heater using propane gas is "MP"; a Millivolt heater using natural gas is "MN".

Prefix "C" is for cast iron (ASME) headers; "P" is for plastic (polymer) headers.

Suffix "L" after model designates low NOx.

Example: **PR-405BL-EN** = Plastic headers, 405 model size, low NOx, digital, natural gas

Reduce input 4% for each 1000 feet above sea level when installed above 2000 feet elevation.

Plastic (polymer) headers cannot be used for ASME installations.

Manufactured under Patent No. 3,623,458.

	Amp Draw	
	120 volt	240 volt
Digital	4	2
Digital Low NOx	6	3

RP2100 Pool and Spa Heaters

RP2100 Digital • RP2100 Digital Low NOx • RP2100 Millivolt



The Pool and Spa Heating ExpertsSM

Technical Data

Features

All models

- **Polytuff Powder Coating**
The Raypak RP2100 gas heater has a polyester-coated, non-corrosive cabinet that is more durable than solventborne- and waterborne-coated metal cabinets. Every piece of sheet metal powder coated goes through a 7-stage wash system making certain the powder paint has a perfect bond. Underneath the tough, yet beautiful finish you will find galvanized metal that offers superior rust prevention and years of durable service.
- **Wind-Resistant Design**
No need for fans to combat drafting problems. The RP2100 was designed for outdoor installations with its exclusive low-profile design. It is so thoughtfully and carefully designed it actually protects itself from the things that tend to stifle ordinary pool and spa heaters: falling leaves, wind, airborne debris, rain, downdrafts, updrafts, sleet, snow, etc. In fact, it is so efficiently designed it delivers uninterrupted heating performance regardless of all but the most extreme weather conditions. Built Raypak tough. Built to last.
- **Polymer Headers**
Polymer headers prevent rust stains from harming your pool's surface, giving you years of trouble-free swimming pleasure.
- **All-Copper-Fin-Tube Heat Exchanger**
The fin tubes of the heat exchanger are each made from a single piece of extruded copper. This integral-fin design allows maximum heat transfer to be attained and maintained.
- **Stainless Steel Tube Sheet**
Stainless steel tube sheets are used on all RP2100 heaters with the polymer headers. This allows for a completely nonferrous waterway, leaving your pool truly rust-free.
- **CPVC 2" Water Connections**
Standard with every RP2100 is a set of 2" slip-fit CPVC water connections to make your installation secure and effortless.
- **Condensation Protection**
Raypak's Unitherm Governor, helps reduce condensation from low inlet water temperatures. The Unitherm Governor automatically regulates the water flow to help keep the water temperature in the heat exchanger above 105°F. Both water temperature and water flow rate are controlled to eliminate condensation, sooting, and scale buildup that can shorten heater life.
- **High Flow Rates**
The RP2100 comes with an automatic bypass built into the header. You'll find that the RP2100 is capable of delivering water flow at a rate up to 125 gpm.
- **Burner Tray**
Every RP2100 burner tray is built to last, from the stainless steel burners to the aluminumized metal used in the heat sensitive areas. In the event that anything should happen to your burners they can be quickly and easily serviced.
- **Fire Tile**
A ceramic fiber combustion box keeps your RP2100 running efficiently and keeps the outside jacket cool. By using this space-age material the RP2100 won't retain residual heat after it is turned off, allowing it to be installed without the use of costly metal heat sinks.
- **Fuel Efficient**
Energy-smart Raypak heaters consistently achieve the highest efficiency ratings and the RP2100 is no exception. It exceeds all federal and state standards.

Digital models only

- **Microprocessor-Controlled Thermostat**
The RP2100 Digital gas heater features a microprocessor-based control center. This control allows you to set your pool or spa temperature precisely at your favorite setting just by pressing the up or down temperature control button.
- **Self-Diagnostic**
On-board diagnostic controls let the user and the service professional know what is going on with the heater at all times. In the event that you would ever have a problem with the heater, the digital display will indicate the source.
- **Remote Compatible**
Compatible with most major pool control and remote systems on the market today. Any two-wire or three-wire remote can connect to the RP2100 Digital and be integrated into the pool control system of your choice.
- **Electronic Ignition**
RP2100 Digital heaters come standard with intermittent spark ignition pilot safety controls. What this means is that the pilot only comes on when there is a call for heat. This provides an energy-efficient way to control your heater's gas usage by eliminating the need for a continuous pilot. Raypak has been using the same reliable spark-to-pilot ignition design for over 20 years.

Low NOx models only

- **Low Emissions**
The RP2100 Digital Low NOx gas heater complies with the most stringent state and county emissions laws. NOx emissions are less than 40 nanograms per joule.
- **Fan-Assisted Combustion**
The RP2100 Low NOx uses a fan to deliver cool, controlled combustion air to the sealed burners. Other brands use a fan to pull hot flue gases through the heater. The Raypak design allows the RP2100 to outperform others during cold starts and provides longer component life.

Millivolt models only

- **Mechanical Thermostat**
The RP2100 Millivolt gas heater comes with one mechanical thermostat. This control allows you to set your pool or spa temperature precisely at your favorite setting.
- **Millivolt Controls**
No power source is required for the RP2100 Millivolt heater. All operating electricity is supplied by the pilot thermocouple.

Quality assurance

- **ISO 9001**
Raypak is proud to be an ISO 9001 registered manufacturing plant. It's one more reason why Raypak is number one in the heater industry today.
- **End-of-Line Test**
Every Raypak gas pool heater is plumbed and test-fired before it is put in the carton. This ensures that your heater will work right out of the box and continue to give you years of trouble-free operation.
- **Quality Check Points**
The Raypak assembly process includes six final assembly quality check points that help to ensure that every Raypak RP2100 is built correctly, and built to last.
- **CSA-Certified**
All of Raypak's heaters are CSA-certified. The RP2100 is tested by CSA to the ANSI Z21.56 standard.



The Pool and Spa Heating Expertssm

RP2100 Pool and Spa Heaters

© 2003-2004 Raypak, Inc. Raypak reserves the right to change these specifications without notice. 6000.20C 07-01-04