

POOL
MODELS: R185A THROUGH R405A

CATALOG NO. 9100.554
Effective: 11-01-18
Replaces: 03-01-17

RAYPAK REPLACEMENT PARTS

MODEL SIZES: R185A, R265A, R335A, R405A (ATMOSPHERIC, LOW NO_x)
MODEL TYPES: RP2100 w/CAPRON & ASME CAST IRON HEADERS,
DIGITAL CONTROLS

DATE OF MANUFACTURE: IID 11-01-98 THRU 10-19-03
MV 11-01-98 THRU 1-04-04

THE PARTS LISTED ARE FOR STANDARD EQUIPMENT FOR THIS MODEL TYPE. RAYPAK RESERVES THE RIGHT TO SUBSTITUTE, DELETE OR CHANGE ANY PART WITHOUT NOTIFICATION. THE ADDITION OF OPTIONS MAY ALSO CHANGE SOME OF THE PARTS. ORDER REPLACEMENT PARTS FROM ACTUAL HEATER COMPONENTS.

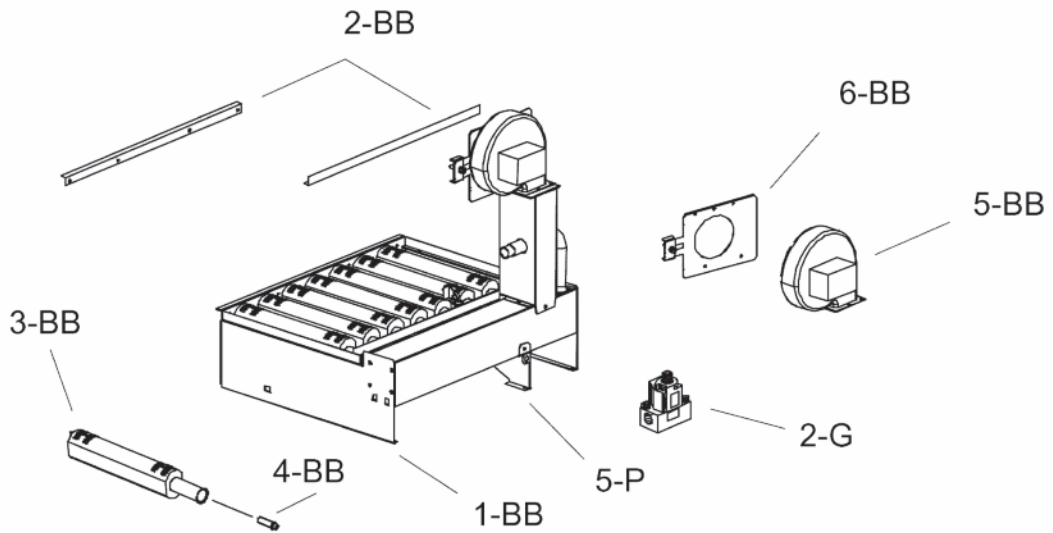


FOR DETAILED INSTRUCTIONS, SEE "HOW TO USE YOUR RAYPAK ILLUSTRATED PARTS LIST",
CATALOG NO. 9001.10

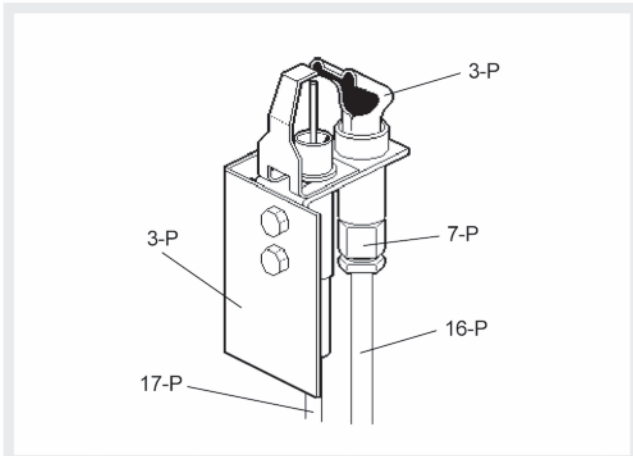
Raypak®
A Rheem® Company

Raypak, Inc., 2151 Eastman Avenue, Oxnard, CA 93030
(805) 278-5300 Fax (800) 872-9725
Litho In U.S.A.

Low NOx BURNER TRAY

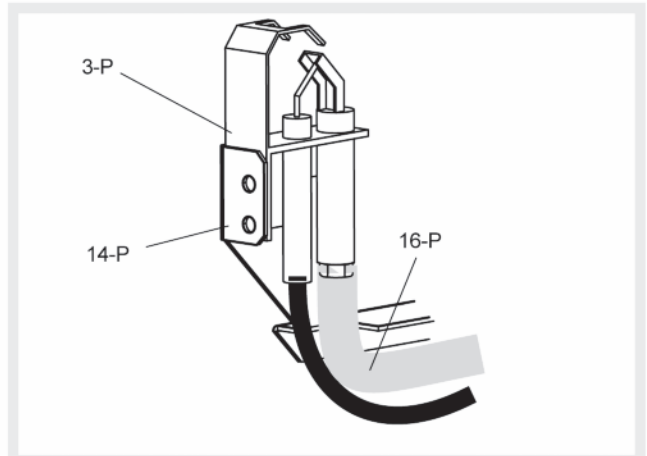


PILOT ASSEMBLIES



Honeywell IID Atmospheric units
for units produced prior to 06/01/2000

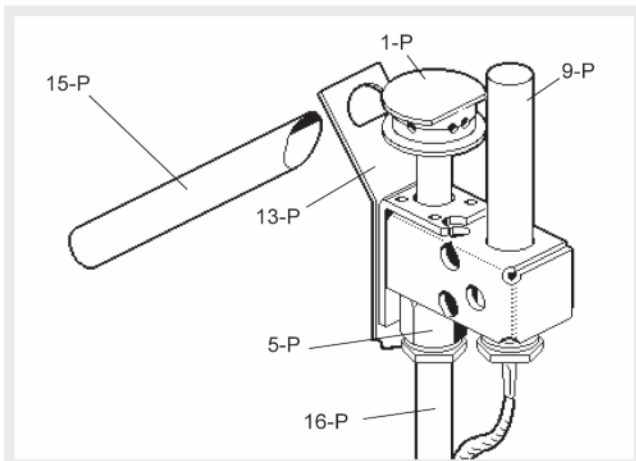
Fig. #8124



Honeywell IID Low NOx and Atmospheric units
for units produced after to 06/01/2000

Fig. #9369

Use KIT Number 008155F for Low NOx units
Use KIT Number 002003F for Atmospheric units



Honeywell MV

Fig. #8107

| CALL OUT | DESCRIPTION | 185A | 265A | 335A | 405A |
|-----------|---|---------------|---------------|---------------|---------------|
| B | BURNER TRAY (Atmospheric)*** | | | | |
| 1-B | Burner Tray w/Burners (sea level)* | 005213F | 005214F | 005215F | 005216F |
| | Burner Tray w/o Burner (sea level)* | 005217F | 005218F | 005219F | 005220F |
| | Burner Tray w/Gas Valve Nat Millivolt | 005221F | 005222F | 005223F | 005224F |
| | Burner Tray w/Gas Valve Pro Millivolt | 005225F | 005226F | 005227F | 005228F |
| | Burner Tray w/Gas Valve Nat IID | 005229F | 005230F | 005231F | 005232F |
| | Burner Tray w/Gas Valve Pro IID | 005233F | 005234F | 005235F | 005236F |
| 2-B | Burner Spacer/Hold Down Kit | 005237F | 005238F | 005239F | 005240F |
| 3-B | Burner | 301210/13 | 301210/19 | 301210/24 | 301210/29 |
| 4-B | Burner Orifice Nat. #51 (Sea Level)* | 350080F/13 | 350080F/19 | 350080F/24 | 350080F/29 |
| | Burner Orifice Pro. #57 (Sea Level)* | 350083F/13 | 350083F/19 | 350083F/24 | 350083F/29 |
| 5-B | Burner Tray w/o Manifold w/o burners | 005265F | 005266F | 005267F | 005268F |
| BB | BURNER TRAY (Fan Assisted Low Nox)*** | | | | |
| 1-BB | Burner Tray w/Burners (0-5000) | 007994F | 007995F | 007996F | 007997F |
| | Burner Tray w/o Burner (0-5000) | 007998F | 007999F | 008000F | 008001F |
| 2-BB | Burner Hold Down Kit | 008002F | 008003F | 008004F | 008005F |
| 3-BB | Burner | 309255/3 | 309255/5 | 309255/6 | 309255/7 |
| 4-BB | Burner Orifice Nat. #30 (0-5000)* | 351510/3 | 351510/5 | 351510/6 | 351510/7 |
| | Burner Orifice Nat. #31 (above 5000 ft.)* | 351523/3 | 351523/5 | 351523/6 | 351523/7 |
| 5-BB | Blower | 008080F | 008080F | 008080F | 008080F |
| 6-BB | Air Shutter | 008133F | 008134F | 008134F | 008172F |
| C | CONTROLS | | | | |
| 1-C | Thermostat Auto Reset 135 Deg Surf Mount | 006725F | 006725F | 006725F | 006725F |
| 2-C | AGS 135° (Auto Gas Shut-Off) - Red Epoxy | 600892B | 600892B | 600892B | 600892B |
| 3-C | High Limit 140° - Black Epoxy | 600893B | 600893B | 600893B | 600893B |
| 4-C | P. C. Board Control IID Units | N/A | N/A | N/A | N/A |
| | P. C. Board Control IID Units with Control Panel | 017108F | 017109F | 017110F | 017111F |
| | P. C. Board Weather Shield (Not Shown) | 009059F | 009059F | 009059F | 009059F |
| 5-C | Thermostat Control MV Units Mechanical | 003346F | 003346F | 003346F | 003346F |
| 6-C | Temperature Sensor IID Units | 006701F | 006701F | 006701F | 006701F |
| G | GAS VALVE | | | | |
| 1-G | Combination Valve - Nat. MV | 003898F | 003898F | 003898F | 003898F |
| | Combination Valve - Pro. MV | 003899F | 003899F | 003899F | 003899F |
| | Combination Valve - Nat. IID | 003900F | 003900F | 003900F | 003900F |
| | Combination Valve - Pro. IID | 004306F | 004306F | 004306F | 004306F |
| 2-G | Combination Valve - Gas On/Off -Nat (for Low Nox) | 010812F | 010812F | 010812F | 010812F |
| HP | HEAT EXCHANGER - POLYMER | | | | |
| 1-HP | Heat Exchanger Assembly Complete | 006702F | 006703F | 006704F | 006705F |
| 2-HP | Inlet/Outlet Header Complete | 006827F | 006827F | 006827F | 006827F |
| | Inlet/Outlet Header (Includes 6-H) | 006706F | 006706F | 006706F | 006706F |
| 3-HP | Return Header (Includes 6-H) | 006707F | 006707F | 006707F | 006707F |
| 4-HP | Tube Bundle ** | 006708F | 006709F | 006710F | 006711F |
| | Tube Bundle Cupro Nickel (Upgrade) | 009878F | 010365F | 009880F | 009881F |
| 19-HP | Baffle (8) | 005260F | 005261F | 005262F | 005263F |
| 5-HP | Bolt Kit | 006712F | 006712F | 006712F | 006712F |
| | Flange Nut Kit | 008259F | 008259F | 008259F | 008259F |
| 6-HP | O Ring Gasket (2) | 006713F | 006713F | 006713F | 006713F |
| 7-HP | Sensor Adapter Digital Electronic | 006714F | 006714F | 006714F | 006714F |
| | Sensor Well Millivolt | 006805F | 006805F | 006805F | 006805F |
| 8-HP | Bypass Kit | 006715F | 006715F | 006715F | 006715F |
| 9-HP | Bypass Valve | 006716F | 006716F | 006716F | 006716F |
| 10-HP | Bypass Dam / Shaft | 006717F | 006717F | 006717F | 006717F |
| 11-HP | Bypass Spring (All Sizes Included) | 006718F | 006718F | 006718F | 006718F |
| 12-HP | Unitherm Governor | 006719F | 006719F | 006719F | 006719F |
| 13-HP | Unitherm Governor Plug | 006720F | 006720F | 006720F | 006720F |
| 14-HP | Drain Plug | 006721F | 006721F | 006721F | 006721F |
| 15-HP | Inlet/Outlet Header Dam | N/A Use 18-HP | N/A Use 18-HP | N/A Use 18-HP | N/A Use 18-HP |
| 16-HP | 2" CPVC Connector & Nut (2) | 006723F | 006723F | 006723F | 006723F |
| 17-HP | O Ring (2) | 006724F | 006724F | 006724F | 006724F |
| 18-HP | Inlet/Outlet Header Baffle W/Header Dam | 006826F | 006826F | 006826F | 006826F |

*FOR ALTITUDES ABOVE 2,000 FEET LEVEL, CONSULT THE FACTORY

**WARNING: The Hydraulic conditions or water chemistry that caused the tube bundle to fail have very likely also damaged the bypass valve and Unitherm Governor. We recommend you replace the Unitherm Governor and inspect the bypass assembly. Failure to do so could cause premature failure of this replacement part.

*** Replacement burner trays are built for sea level, natural gas applications unless otherwise specified at the time the order is placed.

| CALL OUT | DESCRIPTION | 185A | 265A | 335A | 405A |
|-----------|--|---------|---------|---------|---------|
| HM | HEAT EXCHANGER - METAL | | | | |
| 1-HM | Heat Exchange Assy. ASME CI (Complete) | 006726F | 006727F | 006728F | 006729F |
| 2-HM | Inlet/Outlet Header ASME CI (Complete) | 006730F | 006730F | 006730F | 006730F |
| | Inlet/Outlet Header ASME CI | 012319F | 012319F | 012319F | 012319F |
| 14-HM | Inlet & Outlet Flange | 003766F | 003766F | 003766F | 003766F |
| 15-HM | Flange Gasket 1 1/2" Connections | 062236B | 062236B | 062236B | 062236B |
| | Flange Gasket 2" Connections | 800080B | 800080B | 800080B | 800080B |
| 3-HM | Return Header ASME CI | 006731F | 006731F | 006731F | 006731F |
| 4-HM | Tube Bundle ASME ** | 006732F | 006733F | 006734F | 006735F |
| | Tube Bundle Cupro Nickel (Upgrade) | 010859F | 010369F | 010860F | 010861F |
| 17-HM | Baffle Kit (8) | 005260F | 005261F | 005262F | 005263F |
| 5-HM | Bolt Kit | N/A | N/A | N/A | N/A |
| | Stud Bolt Kit | 007870F | 007870F | 007870F | 007870F |
| 6-HM | Header Gasket (9) | 800014B | 800014B | 800014B | 800014B |
| 7-HM | Unitherm Governor | 062234B | 062234B | 062234B | 062234B |
| 8-HM | U.G. Retainer Spring | 013792F | 013792F | 013792F | 013792F |
| 18-HM | U.G. Plug | 013738F | 013738F | 013738F | 013738F |
| 9-HM | Bypass Valve Assembly | 062235B | 062235B | 062235B | 062235B |
| 10-HM | Bypass Spring | 850252 | 013794F | 013794F | 013794F |
| 11-HM | Drain Valve | 013793F | 013793F | 013793F | 013793F |
| 12-HM | Sensor Well | 003765F | 003765F | 003765F | 003765F |
| 13-HM | Well Retaining Clip | 300203 | 300203 | 300203 | 300203 |
| 16-HM | Rear Drain Plug & Cover | 005264F | 005264F | 005264F | 005264F |
| 19-HM | Adapter CPVC 2" | 005393F | 005393F | 005393F | 005393F |
| J | CONTROL BOX | | | | |
| 1-J | Ignition Control IID Nat. | 004817B | 004817B | 004817B | 004817B |
| | Ignition Control IID Pro. | 004818B | 004818B | 004818B | 004818B |
| | Ignition Control Low Nox | 004818B | 004818B | 004818B | 004818B |
| 2-J | Transformer 120/240/24V | 006736F | 006736F | 006736F | 006736F |
| 3-J | Rocker Switch | 006872F | 006872F | 006872F | 006872F |
| 4-J | Relay Low Nox | 008784F | 008784F | 008784F | 008784F |
| M | MISCELLANEOUS COMPONENTS | | | | |
| 1-M | Pressure Switch 1.75 PSI | 006737F | 006737F | 006737F | 006737F |
| | Pressure Switch 11 PSI Special-See Adjustment in Service Manual | 009133F | 009133F | 009133F | 009133F |
| 3-M | Thermostat Knob (1) | 800303 | 800303 | 800303 | 800303 |
| 4-M | Knobstop (1) | 006886F | 006886F | 006886F | 006886F |
| 5-M | Thermal Fuse (Atmospheric) | 005899F | 005899F | 005899F | 005899F |
| | Roll-Out Switch (Low Nox) | 006035F | 006035F | 006035F | 006035F |
| 6-M | PRV 125 PSI (Optional) | 008091F | 011912F | 011912F | 011912F |
| 7-M | Delimiting Kit | 052871F | 052871F | 052871F | 052871F |
| 8-M | Wire/Harness Millivolt | 005269F | 005269F | 005269F | 005269F |
| | Wire/Harness IID | 006738F | 006738F | 006738F | 006738F |
| 9-M | Control Panel MV | 005291F | 005291F | 005291F | 005291F |
| 10-M | Control Panel IID (Includes Switch Decal) | 006739F | 006739F | 006739F | 006739F |
| | Switch/Decal-Membrane | 009184F | 009184F | 009184F | 009184F |
| 11-M | Thermostat Shaft MV | 800307 | 800307 | 800307 | 800307 |
| P | PILOT | | | | |
| 1-P | Pilot Nat. MV | 600525B | 600525B | 600525B | 600525B |
| | Pilot Pro. MV | 600575B | 600575B | 600575B | 600575B |
| 3-P | Pilot IID Atmospheric (includes nat & pro orifice) built before 06/01/2000 | 008668F | 008668F | 008668F | 008668F |
| | Pilot IID Atmospheric (includes nat & pro orifice) built after 06/01/2000 | 002003F | 002003F | 002003F | 002003F |
| | Pilot Nat. IID Low Nox | 008155F | 008155F | 008155F | 008155F |
| 5-P | Pilot Orifice Nat. MV | 003901F | 003901F | 003901F | 003901F |
| | Pilot Orifice Pro. MV | 003902F | 003902F | 003902F | 003902F |
| 7-P | Pilot Orifice Nat. IID .020 | 003903F | 003903F | 003903F | 003903F |
| | Pilot Orifice Pro. IID .012 | 004308F | 004308F | 004308F | 004308F |
| 9-P | Pilot Generator MV | 600019B | 600019B | 600019B | 600019B |
| 12-P | Ignition Control IID | 004817B | 004817B | 004817B | 004817B |
| | Ignition Control IID Lock | 004818B | 004818B | 004818B | 004818B |
| 13-P | Pilot MTG Bracket MV | 306693 | 306693 | 306693 | 306693 |
| 14-P | Pilot Mounting Bracket IID Atmospheric | 306692 | 306692 | 306692 | 306692 |
| | Pilot Mounting Bracket IID Low Nox | 008082F | 008082F | 008082F | 008082F |
| 15-P | Lighter Tube (MV Units Only) | 062996 | 062996 | 062996 | 062996 |
| 16-P | Pilot Tube | 004078F | 004078F | 004078F | 004078F |
| 17-P | Hi Tension Wire IID | 002654B | 002654B | 002654B | 002654B |
| | Hi Tension Wire IID with Pilot Electrode | N/A | N/A | N/A | N/A |
| 18-P | Pilot Shield | 307223 | 307223 | 307223 | 307223 |

**WARNING: The Hydraulic conditions or water chemistry that caused the tube bundle to fail have very likely also damaged the bypass valve and Unitherm Governor. We recommend you replace the Unitherm Governor and inspect the bypass assembly. Failure to do so could cause premature failure of this replacement part.

| CALL OUT | DESCRIPTION | 185A | 265A | 335A | 405A |
|--------------------------|--|-------------|-------------|-------------|-------------|
| R | REFRACTORY | | | | |
| 1-R | Refractory Common (Left & Right) (Includes 4-R) | 005282F | 005282F | 005282F | 005282F |
| 2-R | Refractory Uncommon (Front & Rear) | 005283F | 005284F | 005285F | 005286F |
| 5-R | Refractory (All) | 012192F | 012193F | 012194F | 012195F |
| 3-R | Refractory Retainer Kit (Includes 4-R) | 005287F | 005288F | 005289F | 005290F |
| 4-R | Insulation Strips | 006900F | 006900F | 006900F | 006900F |
| S | SHEETMETAL | | | | |
| 1-S | Jacket Top (Louvered) | 005303F | 005304F | 005305F | 005306F |
| 2-S | Flue Collector (Units with Capron Header) | 006740F | 006741F | 006742F | 006743F |
| | Flue Collector (Units with Metal Header) | 005307F | 005308F | 005309F | 005310F |
| 3-S | Door Assy. | 005315F | 005316F | 005317F | 005318F |
| 4-S | Screw & Retainer | 006744F | 006744F | 006744F | 006744F |
| 5-S | Access Panel Set (3 Pcs.) (Units with Capron Header) | 006745F | 006745F | 006745F | 006745F |
| | Access Panel Set (3 Pcs.) (Units with Metal Header) | 005277F | 005277F | 005277F | 005277F |
| 6-S | Side Panel Right | 005300F | 005300F | 005300F | 005300F |
| 7-S | Side Panel Left | 005301F | 005301F | 005301F | 005301F |
| 8-S | Side Panel Cap | 005302F | 005302F | 005302F | 005302F |
| 9-S | Rear Panel Kit (2 Pcs.) | 005278F | 005279F | 005280F | 005281F |
| 10-S | Sub-Base for Combustible Flooring | 005182 | 005183 | 005184 | 005185 |
| 11-S | Poolstat Cover/Lock | 005198 | 005198 | 005198 | 005198 |
| 12-S | High Limit Cover | 005294F | 005294F | 005294F | 005294F |
| 13-S | Base Shield (Not Shown) | 008558F | 008559F | 008560F | 008561F |
| 14-S | Weather Shield | 009524F | 009525F | 009526F | 009527F |
| V | VENTING | | | | |
| 1-V | Indoor Stack Kit (Includes inner adapter panel) | 006696 | 006697 | 006698 | 006699 |
| 2-V | Stack Adapter | 008895F | 008896F | 008897F | 008898F |
| 3-V | "Pagoda" Top | 007990 | 007991 | 007992 | 007993 |
| CONVERSION KITS** | | 185A | 265A | 335A | 405A |
| Gas Conversions | | | | | |
| | Nat. to Pro. MV Pilot | 004690B | 004690B | 004692B | 004692B |
| | Pro. to Nat. MV Pilot | 005319F | 005319F | 005320F | 005320F |
| | Nat. to Pro. IID Pilot | N/A | N/A | N/A | N/A |
| | Pro. to Nat. IID Pilot | N/A | N/A | N/A | N/A |

** Gas conversions are to be done only by a qualified agency.



www.raypak.com