

RAYPAK SERVICE INSTRUCTIONS

PROTÉGÉ SERIES PUMP AND FILTER RPAGP, RPSFP, RPCFP

KIT 018225F, LOCK RING, CLEAR LID AND O-RING

KIT 018226F, BASKET

IMPORTANT NOTICE: These instructions are for the use of qualified individuals specially trained and experienced in the installation and maintenance of this type of equipment and related system components. Installation and service personnel are required by some states to be licensed. Persons not qualified shall not attempt to install, service, or maintain this equipment.

DANGER – SHOCK HAZARD: Make sure electrical power to attached pump and heaters is disconnected to avoid damage to components, potential serious personal injury or death.

WARNING: Make sure water & power have been turned OFF before making any repairs or service to the unit.

Scope

These kits provide the parts required to replace the lock ring assembly and basket for the Protégé Line of pumps and filters.

Kit 018225F

Components
Lock Ring, Clear Lid, O-ring

Kit 018226F

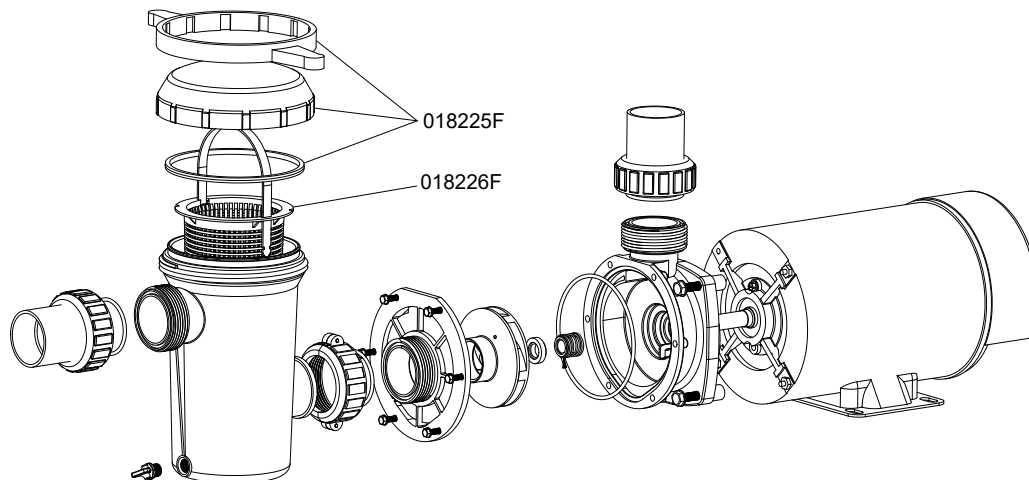
Components
Basket

Required Tools

- None

Recommended Materials

- Any quality generic brand of appropriate lubricant for application onto O-rings and threads of plastic parts such as "Water Lube".



Replacing Lock Ring, Clear Lid, and Basket

1. Turn off the electrical power at the Pump's power switch and/or unplug it at the receptacle.
2. Allow the pump motor to cool down before servicing the unit.
3. Close the water valves, if installed, to isolate the pump from the system.
4. Gently push the lock ring counter-clockwise to unlock the clear pump lid as shown in **Figure 1**. Once the clear ring is loose, remove the lock ring by lifting it straight up. Set it aside as shown in **Figure 2**.



Figure 3. Clear Lid Removal

6. Lift the Lint basket straight up and out as shown in **Figure 4**. The basket is keyed. Later on, when it's time to reassemble things using the new parts, align the grooves with the guide ridges cast into the housing as shown in **Figure 5**.



Figure 1. Lock Ring Removal Rotational Direction



Figure 4. Lint Basket Removal



Figure 2. Lock Ring Removal, Lift Up and Out

5. The clear lid is threaded to the pump lint pot. Turn the lid counter-clockwise about two and a half times to unlock. It will lift up and out as shown in **Figure 3**



Figure 5. Lint Basket Guide Keys

7. In order to reassemble these components properly, use a generous amount of suitable lubricant for the silicone rubber O-ring that is seated at the top of the pump's lint pot as shown in **Figure 6**.



Figure 6. Silicone Rubber O-Ring

8. Reverse steps 6 to 1 in order to assemble and operate the pump using the new kit parts.