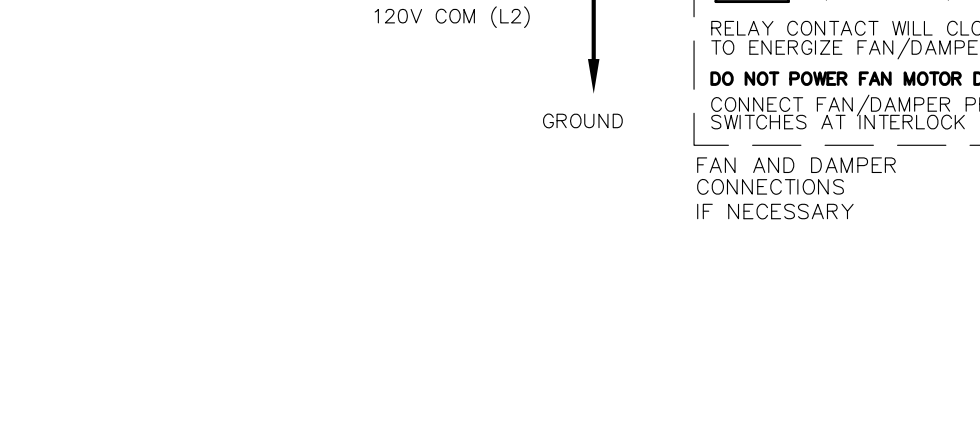
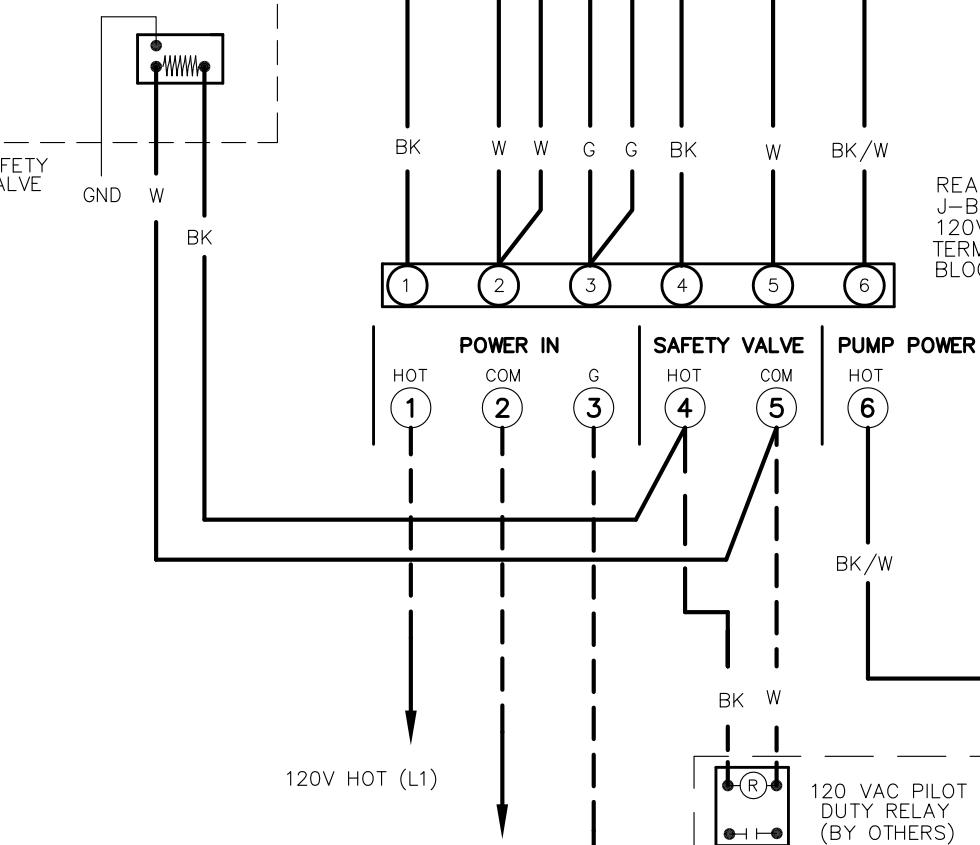
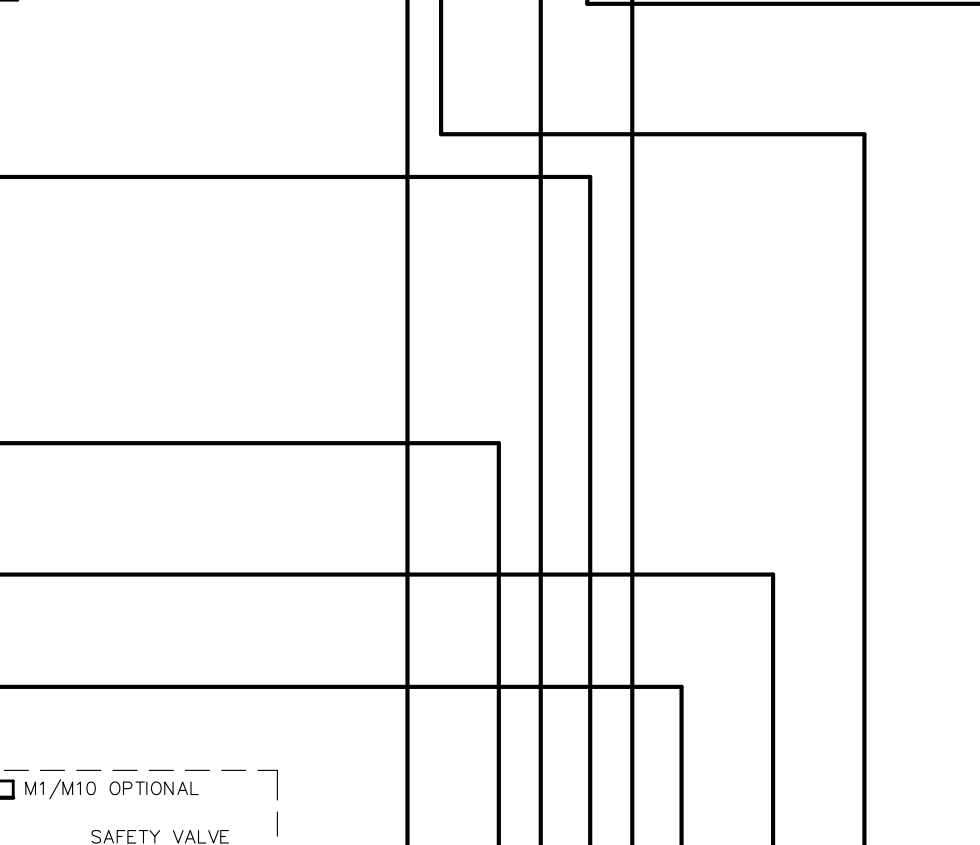


PUMP DATA	
FACTORY	FIELD
MODEL :	
H.P. :	
AMPS. :	



- NOTES:
- ALL INTERLOCK SWITCHES MUST BE WIRED IN SERIES
 - PUMP RELAY MUST BE RATED FOR APPROPRIATE PUMP SIZE.
 - CHECK CONTROLS PROVIDED (WIRED AS SHOWN)
 - IF ANY OF THE ORIGINAL WIRE AS SUPPLIED WITH THE HEATER MUST BE REPLACED, IT MUST BE REPLACED WITH ITS EQUIVALENT 105°C.
 - USE GROUND CONNECTION PROVIDED. FAILURE TO PROVIDE PROPER GROUND MAY RESULT IN LOCK-OUT.

CHECKED BY:
APPROVED BY:
ORIG E.O. 4252
10/23/08
CHG E.O.

WIRING DIAGRAM-HSI
 INPUTS: 1,999,000 BTUH
 SIZE: 2004 TYPE: H/WH
 152977 1

KEY	
---	LOW VOLTAGE
---	FIELD INSTALL
---	LINE VOLTAGE
---	FIELD INSTALL
⊕	GROUND
⊕	MALE/FEMALE TERMINAL CONN
●	CONNECTION
BK	BLACK
BL	BLUE
BR	BROWN
GY	GRAY
G	GREEN
O	ORANGE
R	RED
V	VIOLET
W	WHITE
Y	YELLOW