

RAYPAK ILLUSTRATED PARTS LIST

THE PARTS LISTED ARE FOR STANDARD EQUIPMENT FOR THIS MODEL TYPE. RAYPAK RESERVES THE RIGHT TO SUBSTITUTE, DELETE OR CHANGE ANY PART WITHOUT NOTIFICATION. THE ADDITION OF OPTIONS MAY ALSO CHANGE SOME OF THE PARTS. ORDER REPLACEMENT PARTS FROM ACTUAL HEATER COMPONENTS.

HEAT PUMP POOL HEATER

POOL MODELS: 9350, 9353, 10353, 10354, AND 10355

DATES OF MANUFACTURE:

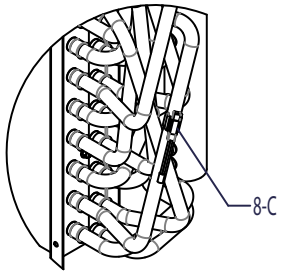
MODELS 10353-10355, 10-17-11 THROUGH CURRENT

MODELS 9350-9353, 10-07-15 THROUGH CURRENT

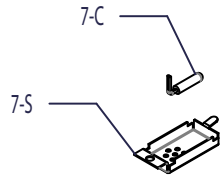


For detailed instructions, see “How to Use your Raypak Illustrated Parts List”, Catalog No. 9001.10

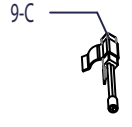
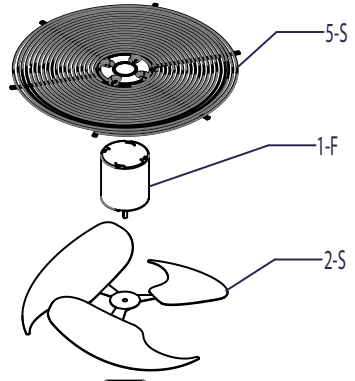




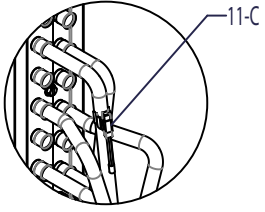
DETAIL A



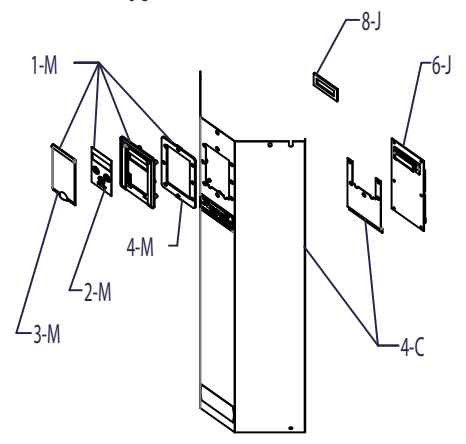
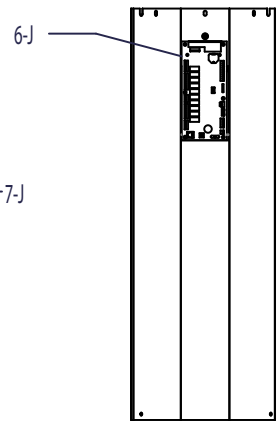
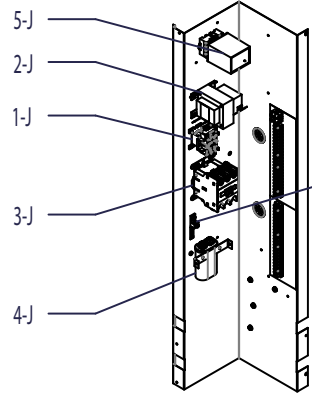
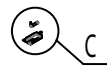
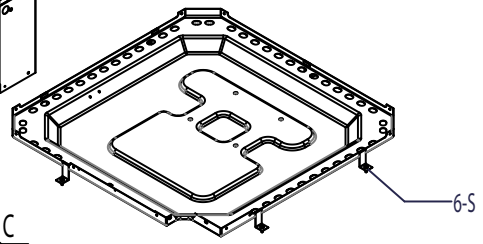
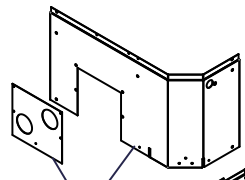
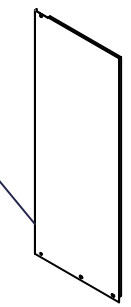
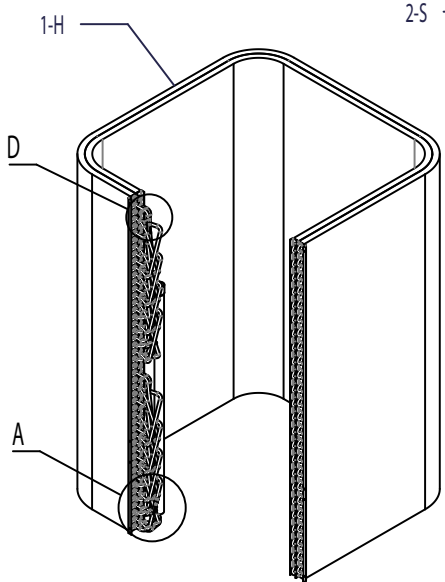
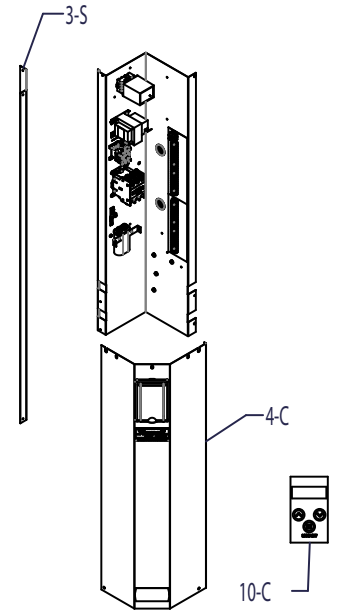
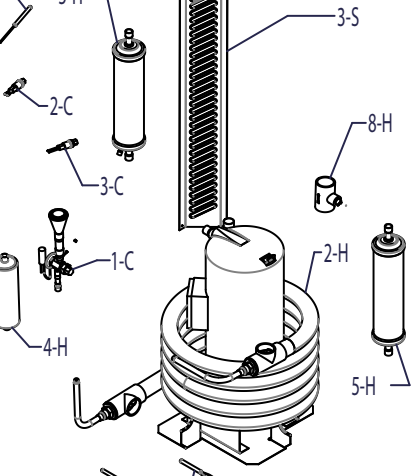
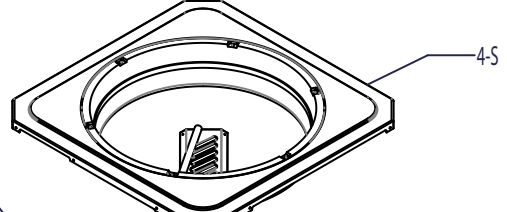
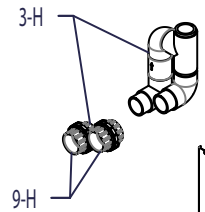
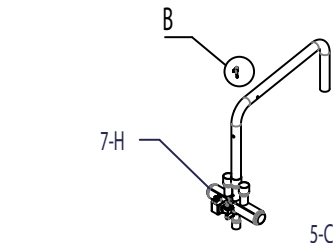
DETAIL C



DETAIL B



DETAIL D



CALLOUT	DESCRIPTION	9350	9353	10353	10354	10355
CONTROLS						
1-C	TX Valve	H000173	H000173	H000248	H000248	H000248
2-C	Low Pressure Switch	H000078	H000078	H000249	H000249	H000249
3-C	High Pressure Switch	H000079	H000079	H000079	H000079	H000079
4-C	Control Cover					
	Digital with Plastic Bezel	H000324	H000324	N/A	N/A	N/A
	Digital (Includes 10-C)					
	Units manufactured prior to 5/15/17	N/A	N/A	H000250	H000250	H000250
	Units manufactured from 5/15/17			H000367	H000367	H000367
10-C	Control Label	N/A	N/A	H000330	H000330	H000330
5-C	Temperature Sensor 10K	N/A	N/A	H000002	H000002	H000002
6-C	Temperature Sensor 100K	H000329	H000329	H000329	H000329	H000329
7-C	Ambient temp sensor	H000332	H000332	H000332	H000332	H000332
8-C	Thermistor 3/8" tube			H000333	H000333	H000333
9-C	Thermistor 7/8" tube	H000334	H000334	H000334	H000334	H000334
11-C	Thermistor 3/8" tube	H000333	H000333			
HEAT TRANSFER						
1-H	Evaporator Coil	H000328	H000328	H000251	H000251	H000251
2-H	Heat Exchanger	H000252	H000252	H000252	H000252	H000252
3-H	Bypass Assembly	H000253	H000253	H000253	H000253	H000253
9-H	PVC Union			N/A	N/A	N/A
	PVC Union with Built-In Drain	H000317	H000317	H000317	H000317	H000317
4-H	Liquid Line Drier	H000004	H000004	H000254	H000254	H000254
5-H	Charge Compensator	H000255	H000255	H000255	H000255	H000255
6-H	Compressor					
	1 Phase	H000014	H000014			
	3 Phase	H000110	H000110	H000256	H000257	H000258
10-H	Compressor Wire Harness (not shown)			H000272	H000272	H000272
	Compressor Power Plug (not shown)	H000271	H000271			
7-H	Reversing Valve	H000136	H000136	H000259	H000259	H000259
8-H	Flow Switch	H000166	H000166	H000166	H000166	H000166
FAN						
1-F	Fan Motor	H000296	H000296	H000260	H000268	H000260
2-F	Fan Blade	H000297	H000297	H000044	H000044	H000044
CONTROL BOX						
1-J	Fan Relay					
	SPST (Units manufactured prior to 4/1/13)			H000017	H000017	H000017
	DPST (Units manufactured from 4/1/13)	H000299	H000299	H000299	H000299	H000299
2-J	Transformer					
	Units manufactured prior to 5/15/17	H000331	H000331	H000021	H000021	H000021
	Units manufactured from 5/15/17	H000331	H000331	H000331	H000331	H000331
3-J	Contactator					
	1 Phase	H000043	H000043			
	3 Phase	H000114	H000114	H000261	H000261	H000261
4-J	Capacitor					
	1 Phase	H000051	H000051			
	3 Phase	H000265	H000265	H000117	H000117	H000117
5-J	Monitor 3 PH					
	Line Voltage 1 PH	H000291	H000291			
	3 PH	H000111	H000111	H000111	H000111	H000111
6-J	Control Board					
	Units manufactured from 5/15/17	H000302	H000302	H000029	H000029	H000029
	Units manufactured prior to 5/15/17			H000302	H000302	H000302
8-J	LCD Display					
	Units manufactured prior to 5/15/17	H000336	H000336			
	Units manufactured from 5/15/17			H000336	H000336	H000336
7-J	Fuse					
	Units manufactured prior to 5/15/17			H000001	H000001	H000001
	Units manufactured from 5/15/17	H000370	H000370	H000370	H000370	H000370
MISCELLANEOUS COMPONENTS						
1-M	Control Bezel Digital (Includes Switch Decal)	H000325	H000325	H000325	H000325	H000325
2-M	Switch/Decal Membrane	H000326	H000326	H000326	H000326	H000326
3-M	Control Bezel Cover	H000327	H000327	H000327	H000327	H000327
4-M	Bezel Seal Gasket	H000344	H000344	H000344	H000344	H000344
SHEETMETAL						
1-S	Electrical Input Panel	H000204	H000204	H000204	H000204	H000204
2-S	Access Panel	H000206	H000206	H000263	H000263	H000263
3-S	Corner Jacket Panel	H000217	H000217	H000264	H000264	H000264
4-S	Jacket Top	H000209	H000209	H000209	H000209	H000209
5-S	Grille Fan Guard	H000040	H000040	H000266	H000266	H000266
6-S	Hurricane Bracket	H000323	H000323	H000323	H000323	H000323
7-S	Temperature Sensor Cover	H000335	H000335	H000335	H000335	H000335



www.raypak.com

Raypak, Inc., 2151 Eastman Avenue, Oxnard, CA 93030 (805) 278-5300 FAX (805) 278-5489

Litho In U.S.A.